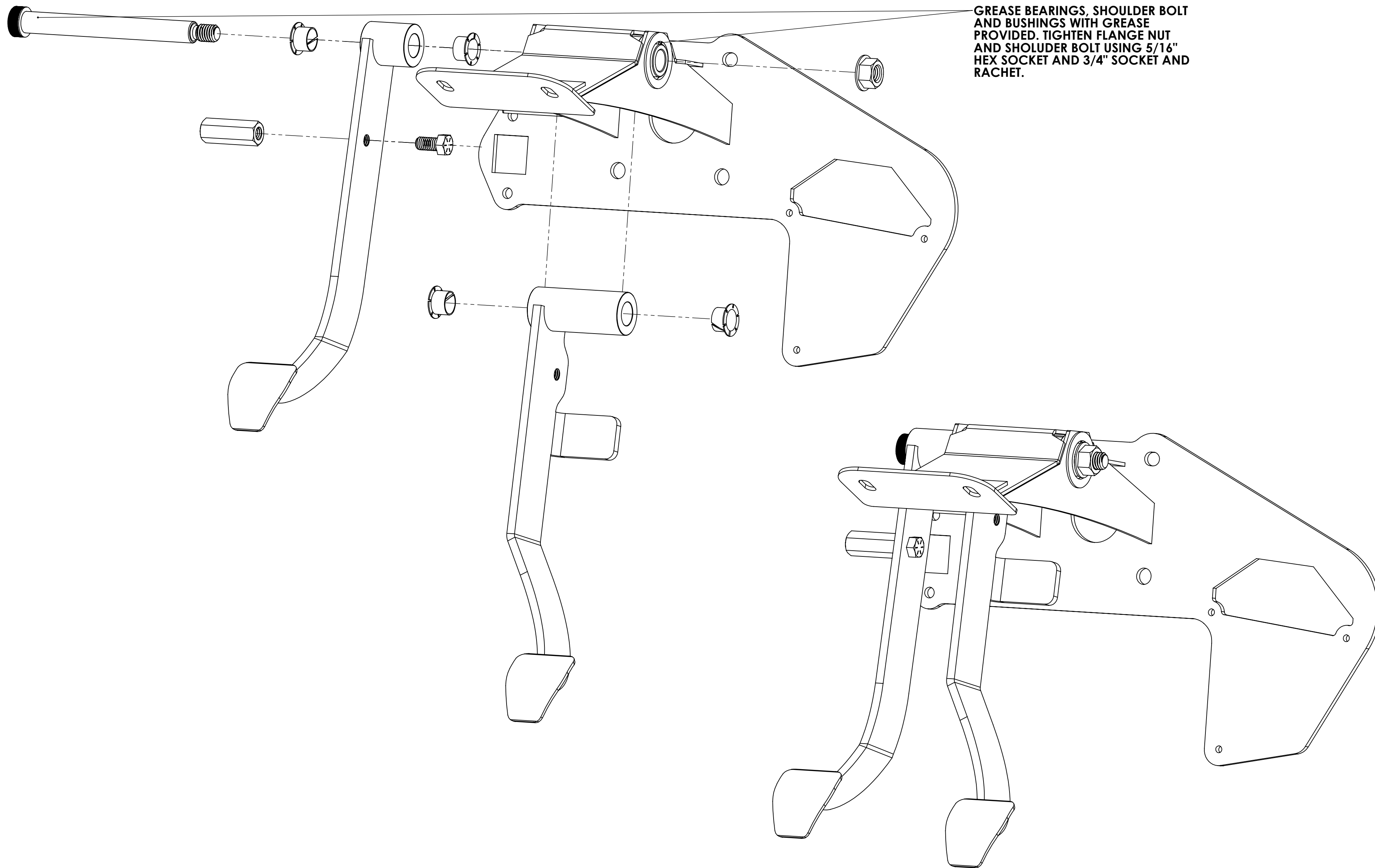


| ITEM NO. | PART NUMBER  | PART DESCRIPTION                                                                           | QTY | APPLICATION |
|----------|--------------|--------------------------------------------------------------------------------------------|-----|-------------|
| 1        | MA58-67450   | WELD ASSEMBLY, HYDROBOOST MOUNT,                                                           | 1   |             |
| 2        | MA58-67460   | ASSY, CLUTCH PEDAL, MANUAL TRANS                                                           | 1   |             |
| 3        | MA58-67470   | ASSY, BRAKE PEDAL, MANUAL TRANS                                                            | 1   |             |
| 4        | CR30-9F836-D | GAS PEDAL                                                                                  | 1   |             |
| 5        | MA58-67400-A | ASSEMBLY, ADJUSTABLE BRAKE SWITCH                                                          | 1   |             |
| 6        | MA58-67461   | BRACKET, CLUTCH MASTER CYLINDER RETAINER                                                   | 1   |             |
| 7        | 91259A436    | ALLOY STEEL SHOULDER SCREW 3/8"-16                                                         | 1   |             |
| 8        | 91115A897    | FEM THRD HD HEX STANDOFF 3/8"-16                                                           | 1   |             |
| 9        | 92620A622    | Alloy Steel Shoulder Screw, 1/2" Shoulder Diameter, 5/16" Shoulder Length, 3/8"-16 Thread  | 1   |             |
| 10       | 90107A127    | STAINLESS STEEL FLAT WASHER FOR 3/8" SCREW                                                 | 2   |             |
| 11       | 92320A729    | UNTHRDED SPACER 5/8" FOR 3/8" SCREW                                                        | 1   |             |
| 12       | 91257A630    | STEEL CAP SCREW 3/8"-16 x 1-3/4"                                                           | 1   |             |
| 13       | 92949A619    | BUTTON-HEAD SOCKET CAP SCREW 3/8"-16 x 1/2"                                                | 2   |             |
| 14       | 90845A010    | LEVELING WASHER                                                                            | 3   |             |
| 15       | 93310A540    | THREAD-LOCKING BUTTON-HEAD SOCKET CAP SCREW 1/4"-20 x 3/4"                                 | 2   |             |
| 16       | 93310A337    | THREAD-LOCKING BUTTON-HEAD SOCKET CAP SCREW 1/4"-20 x 1-1/4"                               | 1   |             |
| 17       | 94945A217    | NYLON INSERT LOCKNUT 3/8"-16                                                               | 1   |             |
| 18       | 1281N21      | DRY-RUNNING SPLIT FLANGED SLEEVE BEARING                                                   | 4   |             |
| 19       | 97022A264    | STAINLESS STEEL ROUND SHIM                                                                 | 1   |             |
| 20       | 91259A816    | Alloy Steel Shoulder Screw, 5/8" Shoulder Diameter, 5-1/2" Shoulder Length, 1/2"-13 Thread | 1   |             |
| 21       | 94842A104    | STEEL FLANGE NUT 1/2"-13                                                                   | 1   |             |
| 22       | 98164A276    | Button Head Hex Drive Screw, 5/16"-18 x 1-1/2"                                             | 2   |             |
| 23       | 93776A441    | Serrated Flange Locknut, 5/16"-18                                                          | 2   |             |
| 24       | MA58-67425   | GASKET, HYDROBOOST TO FIREWALL EXTERNAL                                                    | 1   |             |

**REVOLVOLOG**  
 PROPRIETARY AND CONFIDENTIAL  
 THE INFORMATION CONTAINED IN THIS DRAWING IS THE SOLE PROPERTY OF REVOLVOLOG CARS. ANY REPRODUCTION IN PART OR AS A WHOLE WITHOUT THE WRITTEN PERMISSION OF REVOLVOLOG CARS IS PROHIBITED.

|                             |          |           |                      |      |           |
|-----------------------------|----------|-----------|----------------------|------|-----------|
| UNLESS OTHERWISE SPECIFIED: |          | SCALE 1:2 | DESIGNER RESPONSIBLE | DATE | PART NAME |
| DIMENSIONS ARE IN INCHES    |          | REV A     | KRC                  | XXX  | 10/1/19   |
| LENGTH: ±.05                |          | REV B     |                      |      |           |
| ANGLE: ±0.1°                |          | REV C     |                      |      |           |
|                             |          | REV D     |                      |      |           |
| FINISH                      | MATERIAL | THICKNESS | PART NUMBER          |      |           |
| N/A                         | N/A      | N/A       | MA58-67410           |      |           |



GREASE BEARINGS, SHOULDER BOLT AND BUSHINGS WITH GREASE PROVIDED. TIGHTEN FLANGE NUT AND SHOULDER BOLT USING 5/16" HEX SOCKET AND 3/4" SOCKET AND RATCHET.

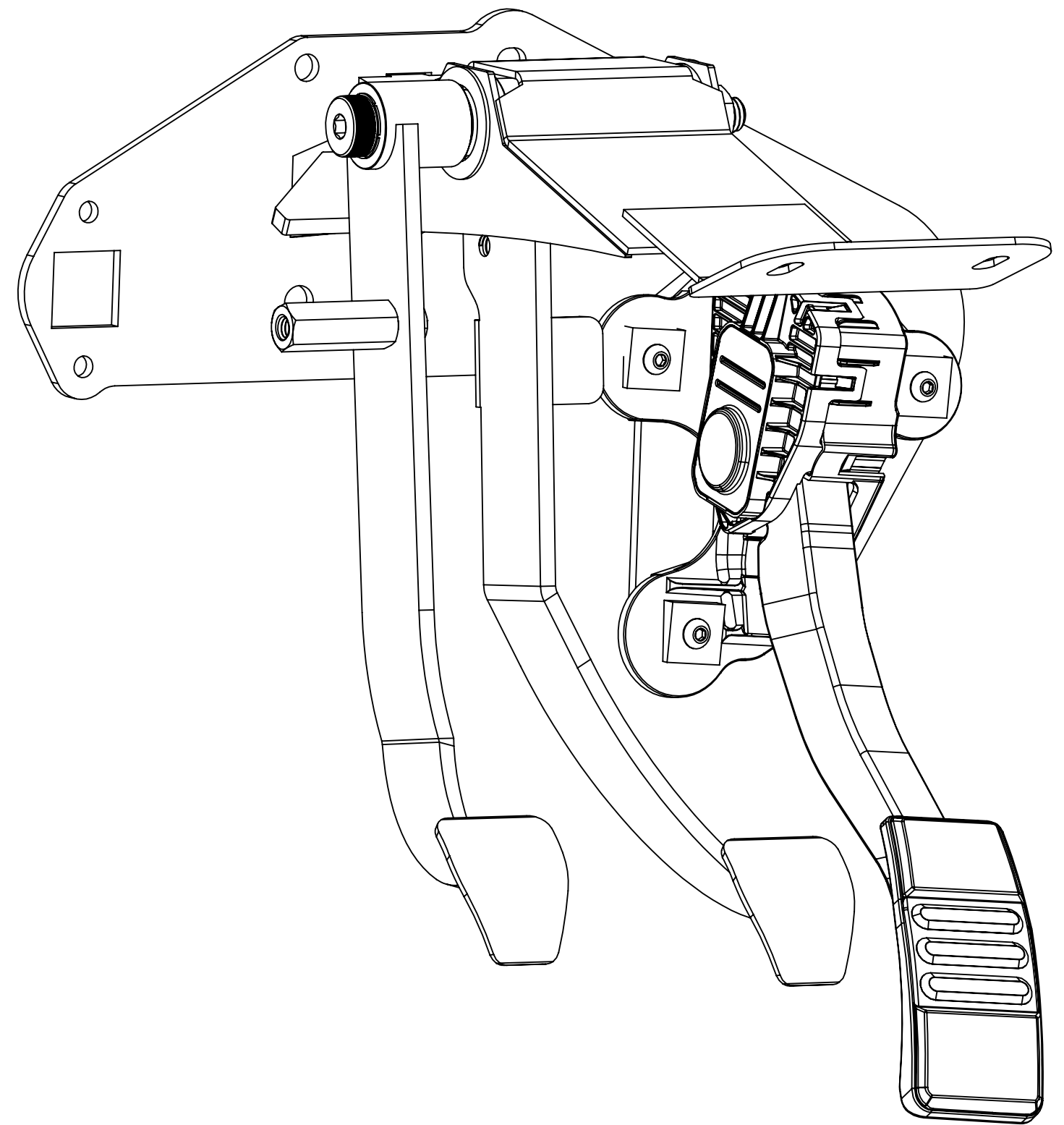
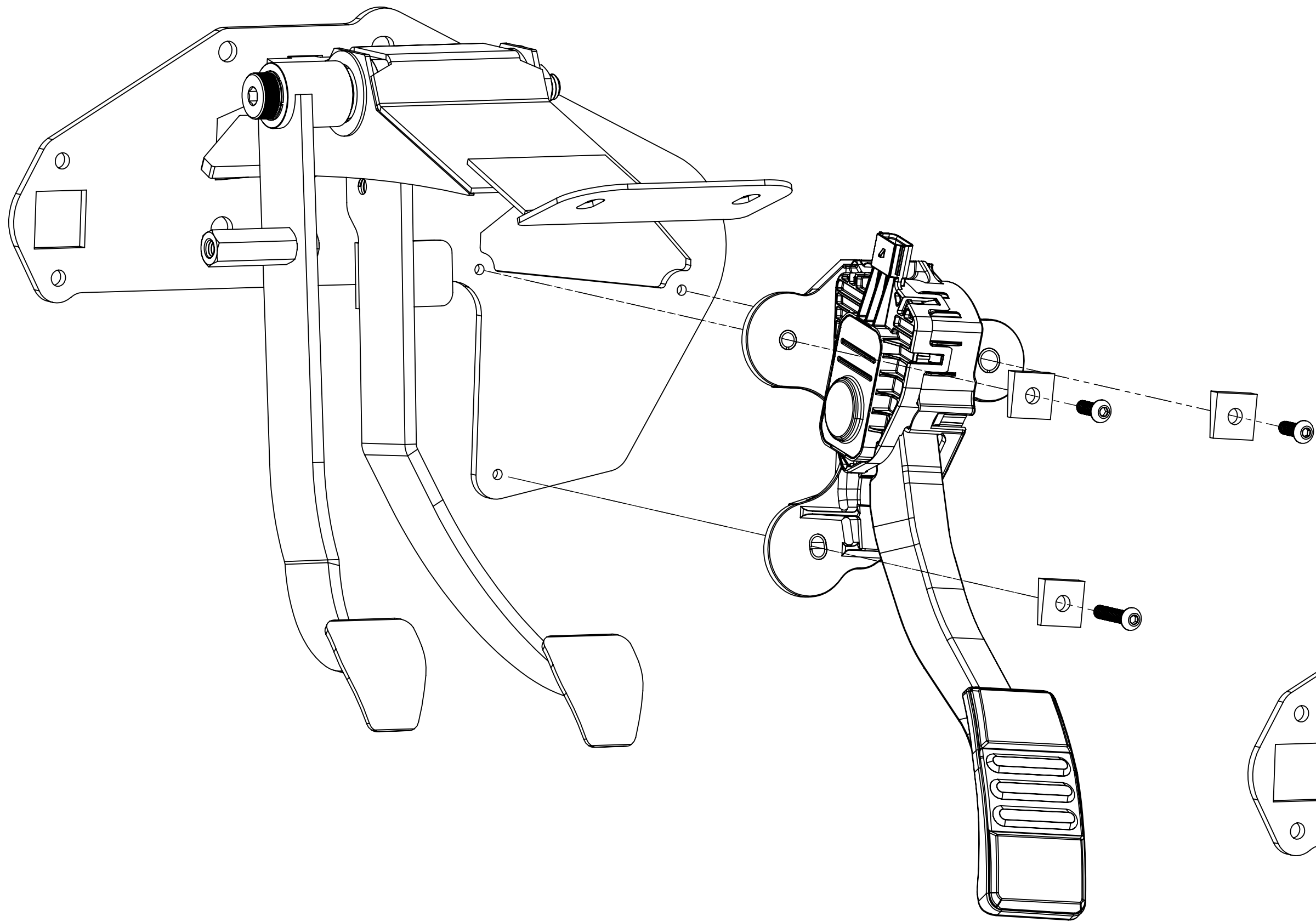


PROPRIETARY AND CONFIDENTIAL  
 THE INFORMATION CONTAINED IN THIS DRAWING IS THE SOLE PROPERTY OF REVOLOGY CARS. ANY REPRODUCTION IN PART OR AS A WHOLE WITHOUT THE WRITTEN PERMISSION OF REVOLOGY CARS IS PROHIBITED.

|                                                                                         |           |                       |             |           |
|-----------------------------------------------------------------------------------------|-----------|-----------------------|-------------|-----------|
| UNLESS OTHERWISE SPECIFIED:<br>DIMENSIONS ARE IN INCHES<br>LENGTH: ±.05<br>ANGLE: ±0.1° | SCALE 1:2 | DESIGNER, RESPONSIBLE | DATE        | PART NAME |
|                                                                                         | REV A     | KRC                   | XXX         | 10/1/19   |
|                                                                                         | REV B     |                       |             |           |
|                                                                                         | REV C     |                       |             |           |
|                                                                                         | REV D     |                       |             |           |
| FINISH                                                                                  | MATERIAL  | THICKNESS             | PART NUMBER |           |
| N/A                                                                                     | N/A       | N/A                   | MA58-67410  |           |

ASSY. PEDALS, CLUTCH & BRAKE & GAS, MANUAL TRANS

MA58-67410



**PROPRIETARY AND CONFIDENTIAL**  
 THE INFORMATION CONTAINED IN THIS DRAWING IS THE SOLE PROPERTY OF REVOLVING CARS. ANY REPRODUCTION IN PART OR AS A WHOLE WITHOUT THE WRITTEN PERMISSION OF REVOLVING CARS IS PROHIBITED.

**UNLESS OTHERWISE SPECIFIED:**  
 DIMENSIONS ARE IN INCHES  
 LENGTH:  $\pm 0.05$   
 ANGLE:  $\pm 0.1^\circ$

| SCALE | DESIGNER | RESPONSIBLE | DATE     |
|-------|----------|-------------|----------|
| 1:2   | KRC      | XXX         | 10/11/19 |
| REV A |          |             |          |
| REV B |          |             |          |
| REV C |          |             |          |
| REV D |          |             |          |

FINISH  
N/A

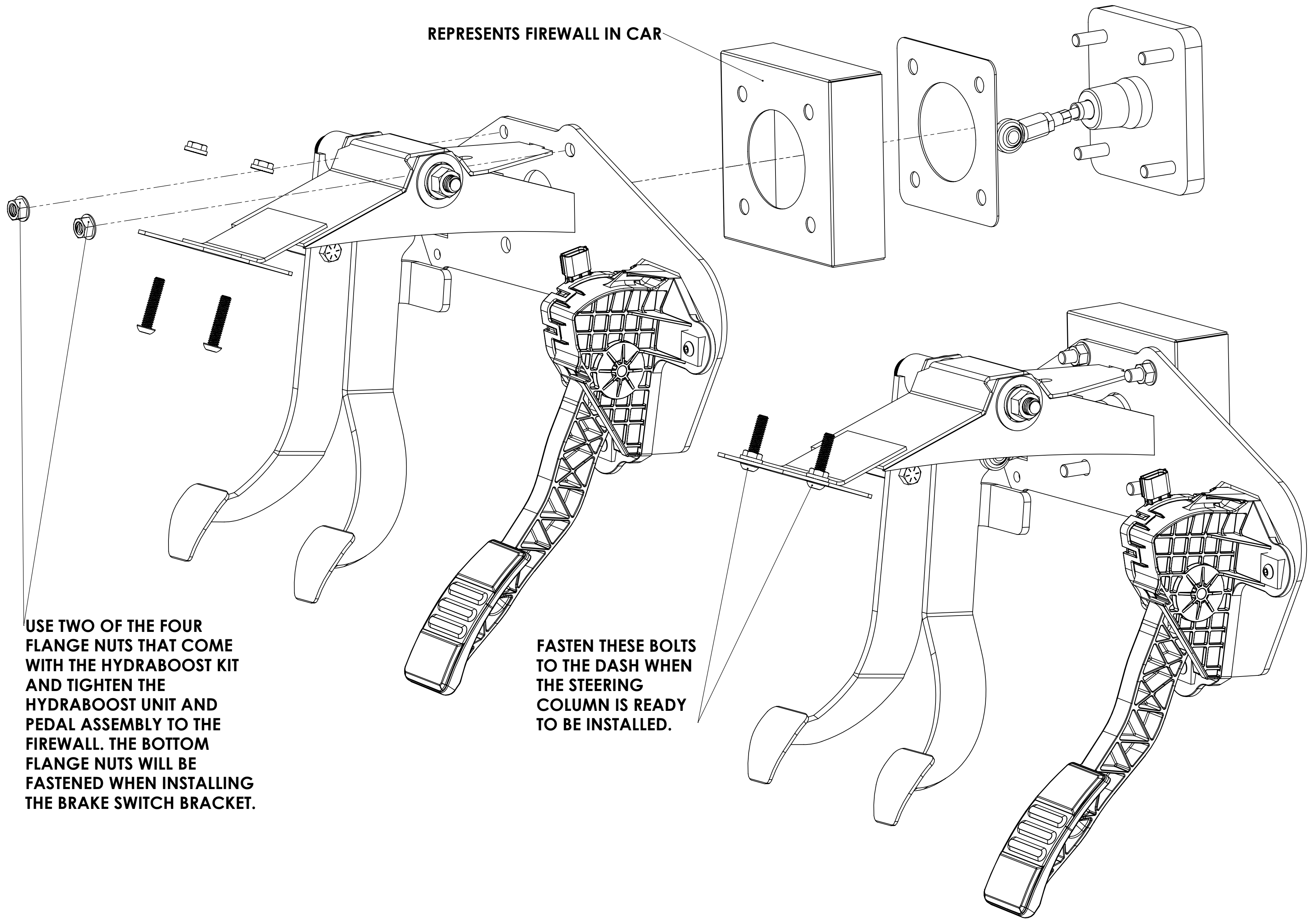
MATERIAL  
N/A

THICKNESS  
N/A

PART NAME  
ASSY.PEDALS.CLUTCH & BRAKE & GAS,MANUAL TRANS

PART NUMBER  
MA58-67410

REPRESENTS FIREWALL IN CAR



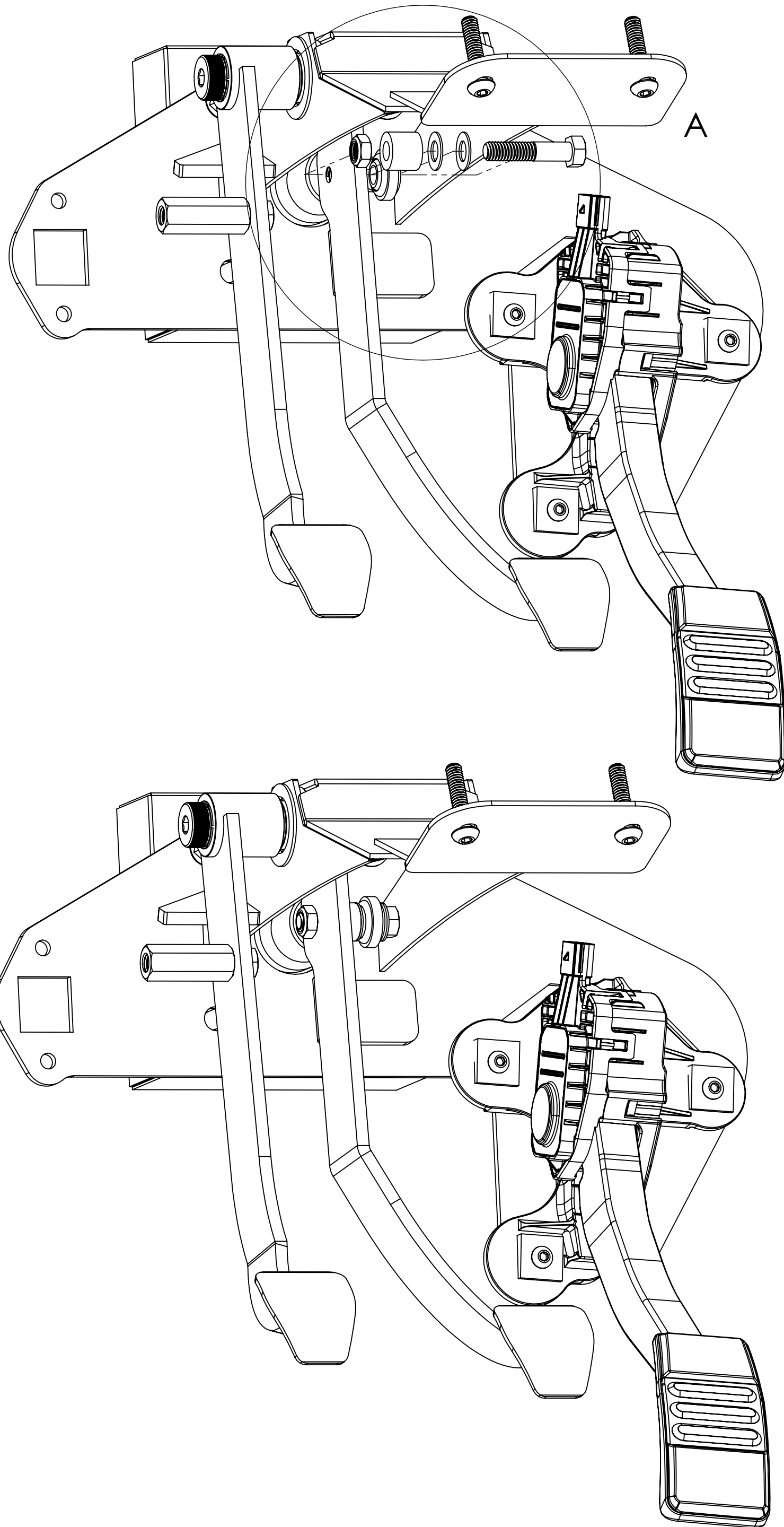
USE TWO OF THE FOUR FLANGE NUTS THAT COME WITH THE HYDRABOOST KIT AND TIGHTEN THE HYDRABOOST UNIT AND PEDAL ASSEMBLY TO THE FIREWALL. THE BOTTOM FLANGE NUTS WILL BE FASTENED WHEN INSTALLING THE BRAKE SWITCH BRACKET.

FASTEN THESE BOLTS TO THE DASH WHEN THE STEERING COLUMN IS READY TO BE INSTALLED.

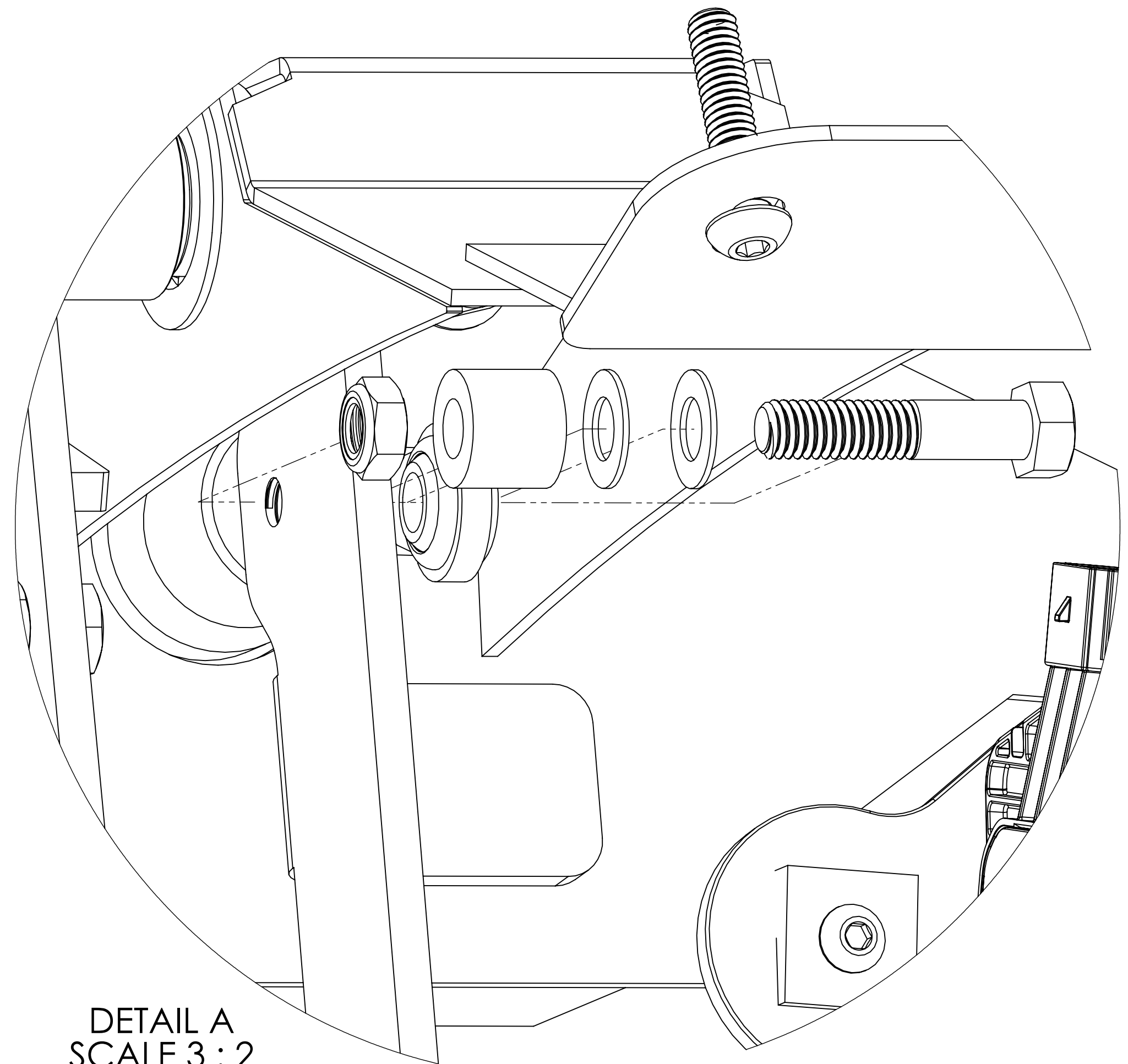


PROPRIETARY AND CONFIDENTIAL  
THE INFORMATION CONTAINED IN THIS DRAWING IS THE SOLE PROPERTY OF REVOLVOLOGY CARS. ANY REPRODUCTION IN PART OR AS A WHOLE WITHOUT THE WRITTEN PERMISSION OF REVOLVOLOGY CARS IS PROHIBITED.

| UNLESS OTHERWISE SPECIFIED: |              | SCALE 1:2 | DESIGNER RESPONSIBLE | DATE        | PART NAME |
|-----------------------------|--------------|-----------|----------------------|-------------|-----------|
| DIMENSIONS ARE IN INCHES    | LENGTH: ±.05 | REV A     | KRC                  | XXX         | 10/11/19  |
| ANGLE: ±0.1°                |              | REV B     |                      |             |           |
|                             |              | REV C     |                      |             |           |
|                             |              | REV D     |                      |             |           |
| FINISH                      | MATERIAL     | THICKNESS |                      | PART NUMBER |           |
| N/A                         | N/A          | N/A       |                      | MA58-67410  |           |



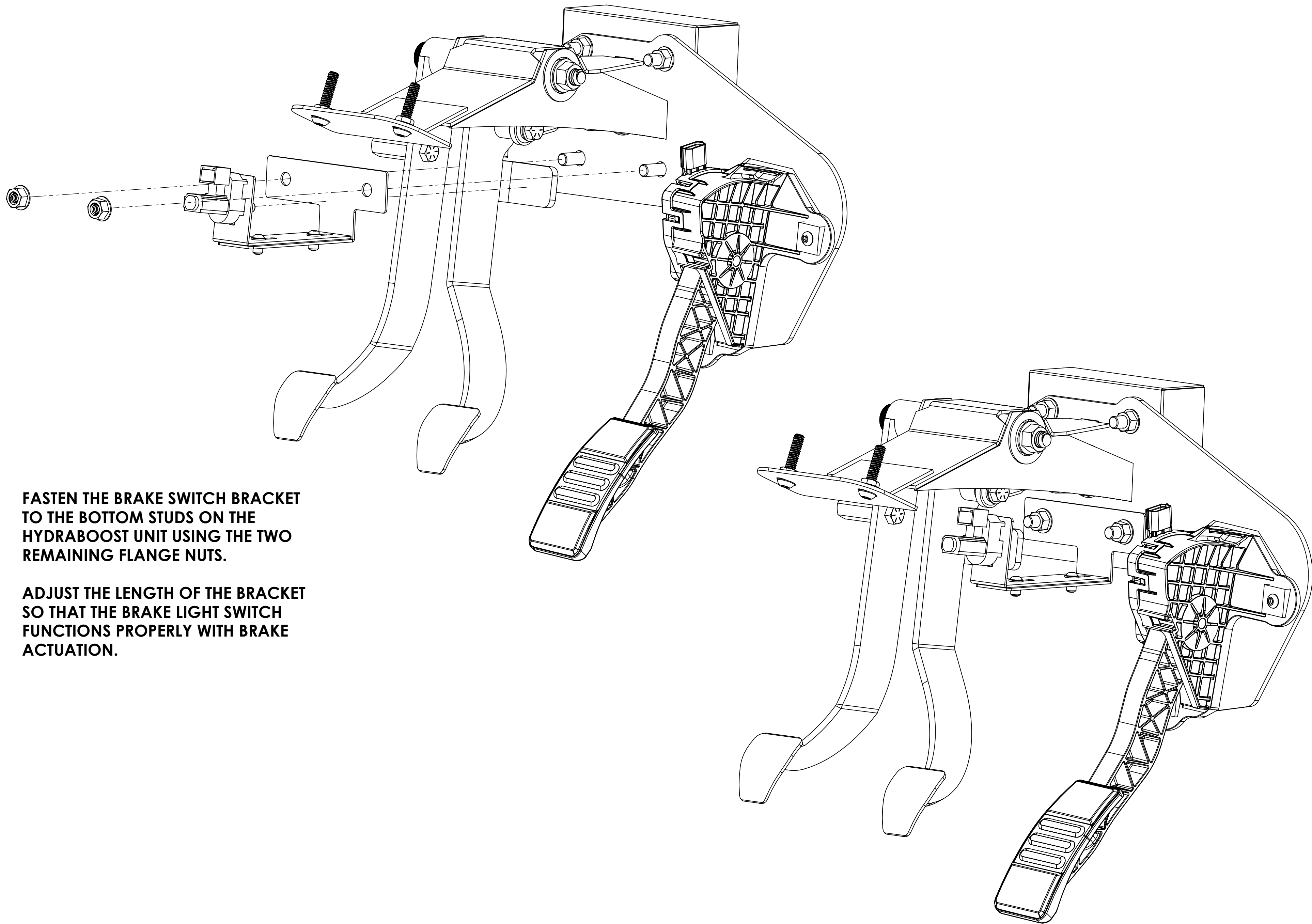
PLACE A WASHER ON EACH SIDE OF THE HEIM JOINT AND INSERT BOLT THROUGH THE HEIM JOINT. PLACE THE SPACER OVER THE THREADED HOLE ON THE BRAKE PEDAL. INSERT BOLT THROUGH SPACER AND THREAD INTO BRAKE PEDAL. TIGHTEN BOLT TO BRAKE PEDAL. ON THE OTHER SIDE OF PEDAL, THREAD AND TIGHTEN THE NYLON LOCKNUT.



DETAIL A  
SCALE 3 : 2

PROPRIETARY AND CONFIDENTIAL  
THE INFORMATION CONTAINED IN THIS DRAWING IS THE SOLE PROPERTY OF REVOLVING CARE. ANY REPRODUCTION IN PART OR AS A WHOLE WITHOUT THE WRITTEN PERMISSION OF REVOLVING CARE IS PROHIBITED.

|                                       |          |           |             |      |             |
|---------------------------------------|----------|-----------|-------------|------|-------------|
| UNLESS OTHERWISE SPECIFIED: SCALE 1:2 |          | DESIGNER  | RESPONSIBLE | DATE | PART NAME   |
| DIMENSIONS ARE IN INCHES              |          | REV A     | KRC         | XXX  | 10/11/19    |
| LENGTH: ±.05                          |          | REV B     |             |      |             |
| ANGLE: ±0.1°                          |          | REV C     |             |      |             |
|                                       |          | REV D     |             |      |             |
|                                       |          |           |             |      | PART NUMBER |
| FINISH                                | MATERIAL | THICKNESS |             |      |             |
| N/A                                   | N/A      | N/A       |             |      | MA58-67410  |

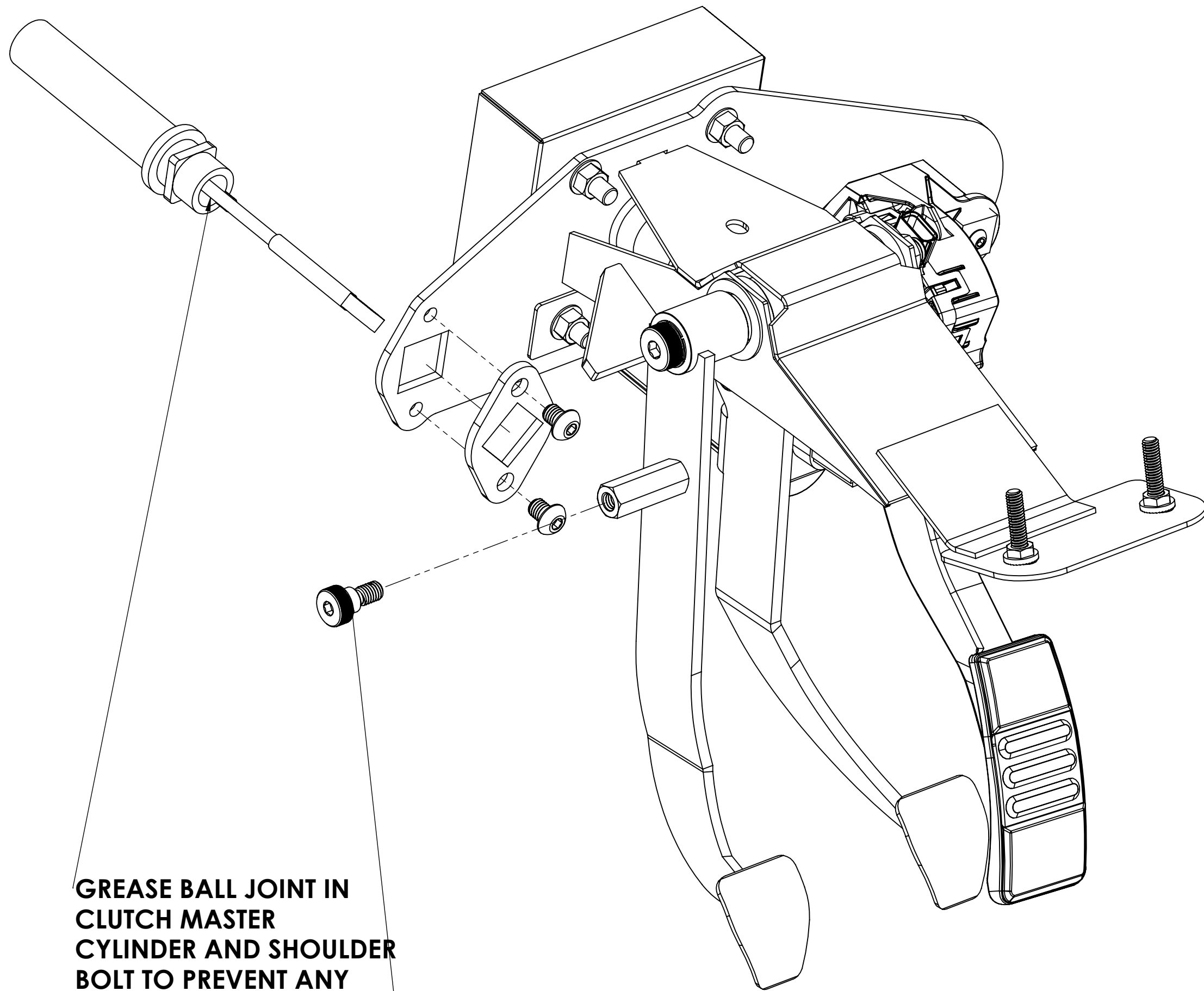


**FASTEN THE BRAKE SWITCH BRACKET TO THE BOTTOM STUDS ON THE HYDRABOOST UNIT USING THE TWO REMAINING FLANGE NUTS.**

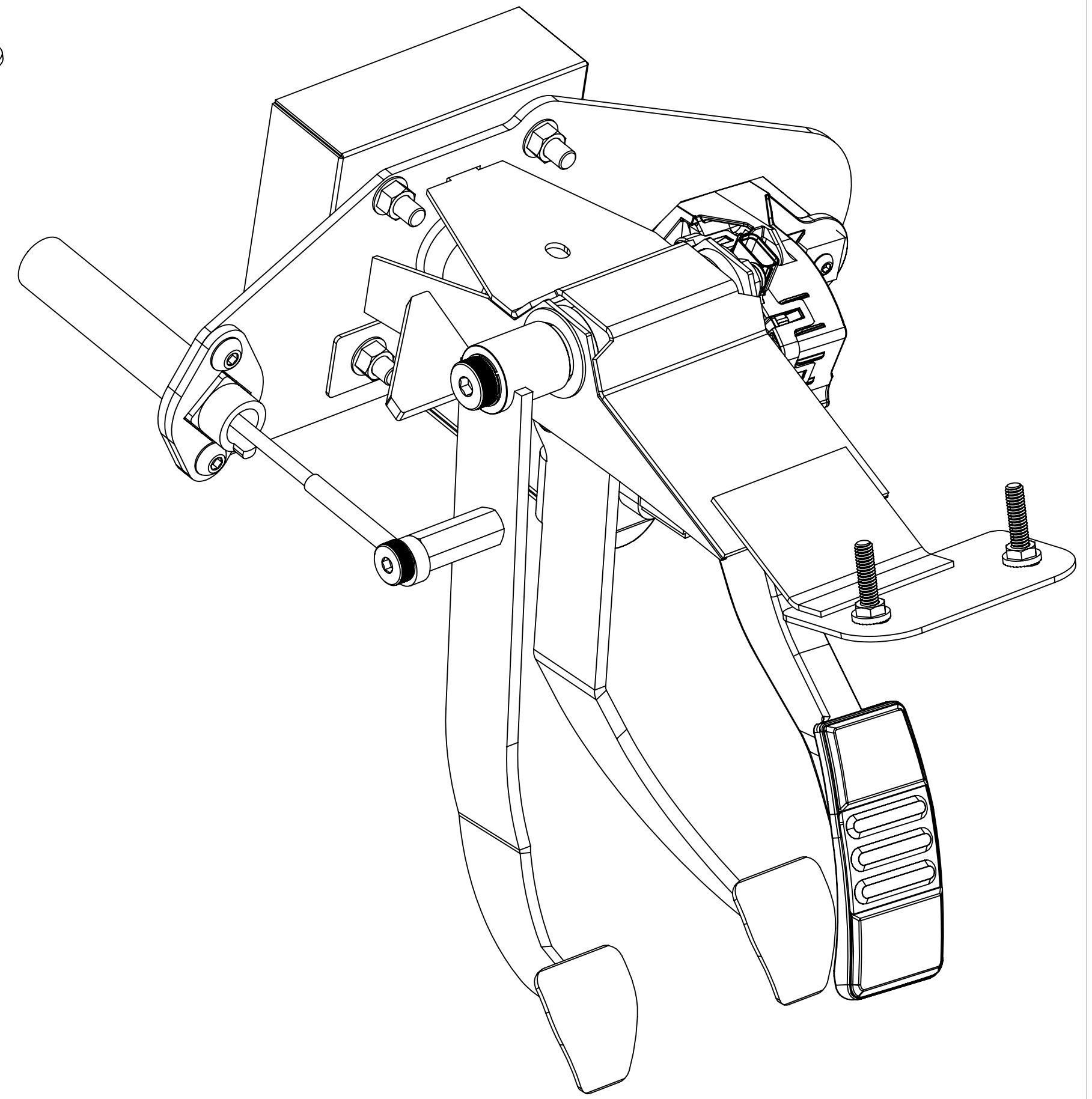
**ADJUST THE LENGTH OF THE BRACKET SO THAT THE BRAKE LIGHT SWITCH FUNCTIONS PROPERLY WITH BRAKE ACTUATION.**

**PROPRIETARY AND CONFIDENTIAL**  
 THE INFORMATION CONTAINED IN THIS DRAWING IS THE SOLE PROPERTY OF REVOLVOLOGY CARS. ANY REPRODUCTION IN PART OR AS A WHOLE WITHOUT THE WRITTEN PERMISSION OF REVOLVOLOGY CARS IS PROHIBITED.

|                                                                                                   |          |           |             |                                                  |           |
|---------------------------------------------------------------------------------------------------|----------|-----------|-------------|--------------------------------------------------|-----------|
| UNLESS OTHERWISE SPECIFIED: SCALE 1:2<br>DIMENSIONS ARE IN INCHES<br>LENGTH: ±.05<br>ANGLE: ±0.1° |          | DESIGNER  | RESPONSIBLE | DATE                                             | PART NAME |
| REV A                                                                                             | KRC      | XXX       | 10/1/19     | ASSY. PEDALS, CLUTCH & BRAKE & GAS, MANUAL TRANS |           |
| REV B                                                                                             |          |           |             |                                                  |           |
| REV C                                                                                             |          |           |             |                                                  |           |
| REV D                                                                                             |          |           |             |                                                  |           |
| FINISH                                                                                            | MATERIAL | THICKNESS |             | PART NUMBER                                      |           |
| N/A                                                                                               | N/A      | N/A       |             | MA58-67410                                       |           |



GREASE BALL JOINT IN CLUTCH MASTER CYLINDER AND SHOULDER BOLT TO PREVENT ANY UNWANTED SQUEAKING NOISES.



PROPRIETARY AND CONFIDENTIAL  
 THE INFORMATION CONTAINED IN THIS DRAWING IS THE SOLE PROPERTY OF REVOLVOY CARS. ANY REPRODUCTION IN PART OR AS A WHOLE WITHOUT THE WRITTEN PERMISSION OF REVOLVOY CARS IS PROHIBITED.

|                                       |          |           |             |      |             |
|---------------------------------------|----------|-----------|-------------|------|-------------|
| UNLESS OTHERWISE SPECIFIED: SCALE 1:2 |          | DESIGNER  | RESPONSIBLE | DATE | PART NAME   |
| DIMENSIONS ARE IN INCHES              |          | REV A     | KRC         | XXX  | 10/1/19     |
| LENGTH: ±.05                          |          | REV B     |             |      |             |
| ANGLE: ±0.1°                          |          | REV C     |             |      |             |
|                                       |          | REV D     |             |      |             |
|                                       |          |           |             |      | PART NUMBER |
| FINISH                                | MATERIAL | THICKNESS |             |      |             |
| N/A                                   | N/A      | N/A       |             |      | MA58-67410  |