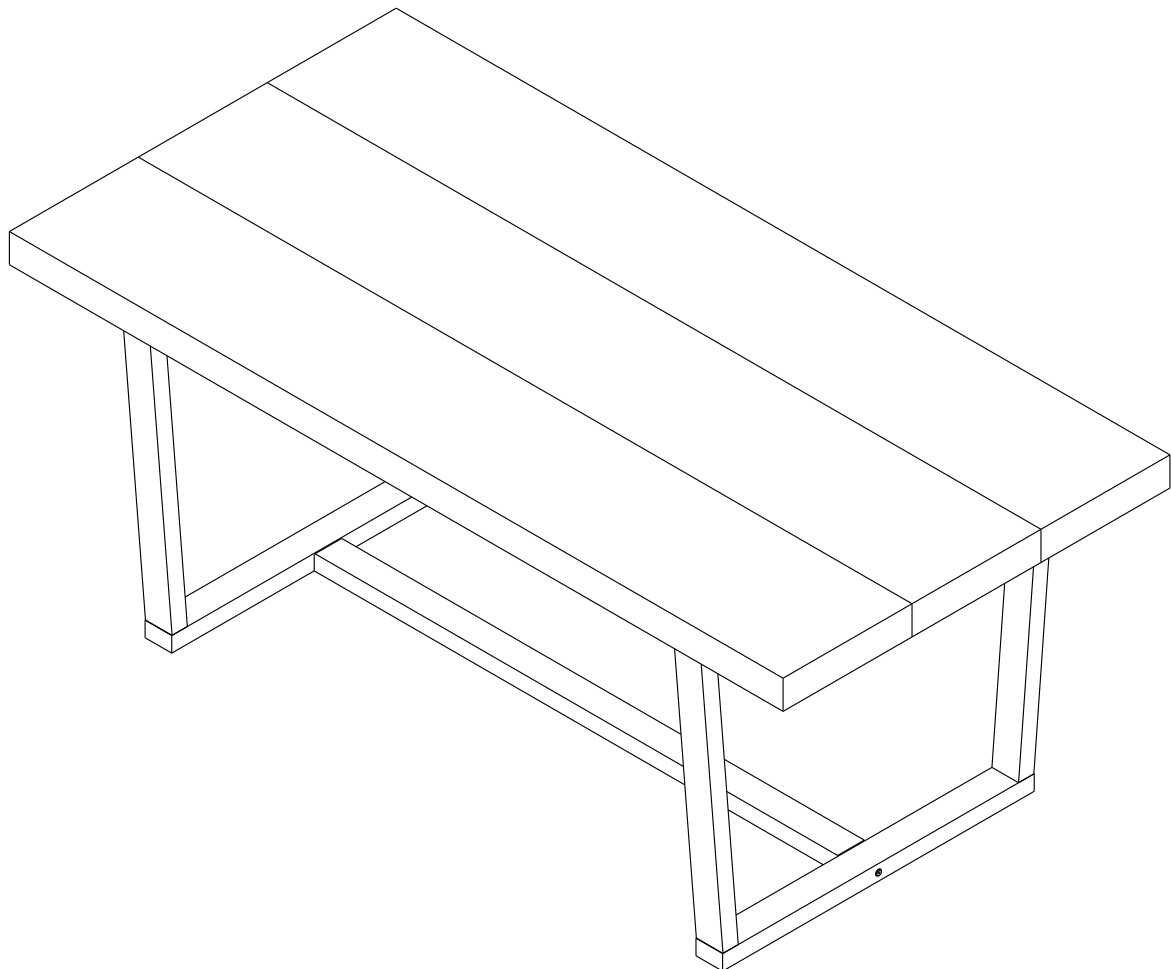


WE Walker
Edison
furniture company

Item #: TW72DSW
Assembly Instructions



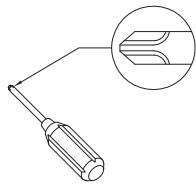
For the most current instructions, additional assembly tips, to report damage or request parts, please visit our website at www.walkerredison.com.

Keep these instructions for future reference.

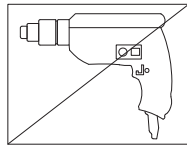
Revised 03/2018

General Assembly Guidelines

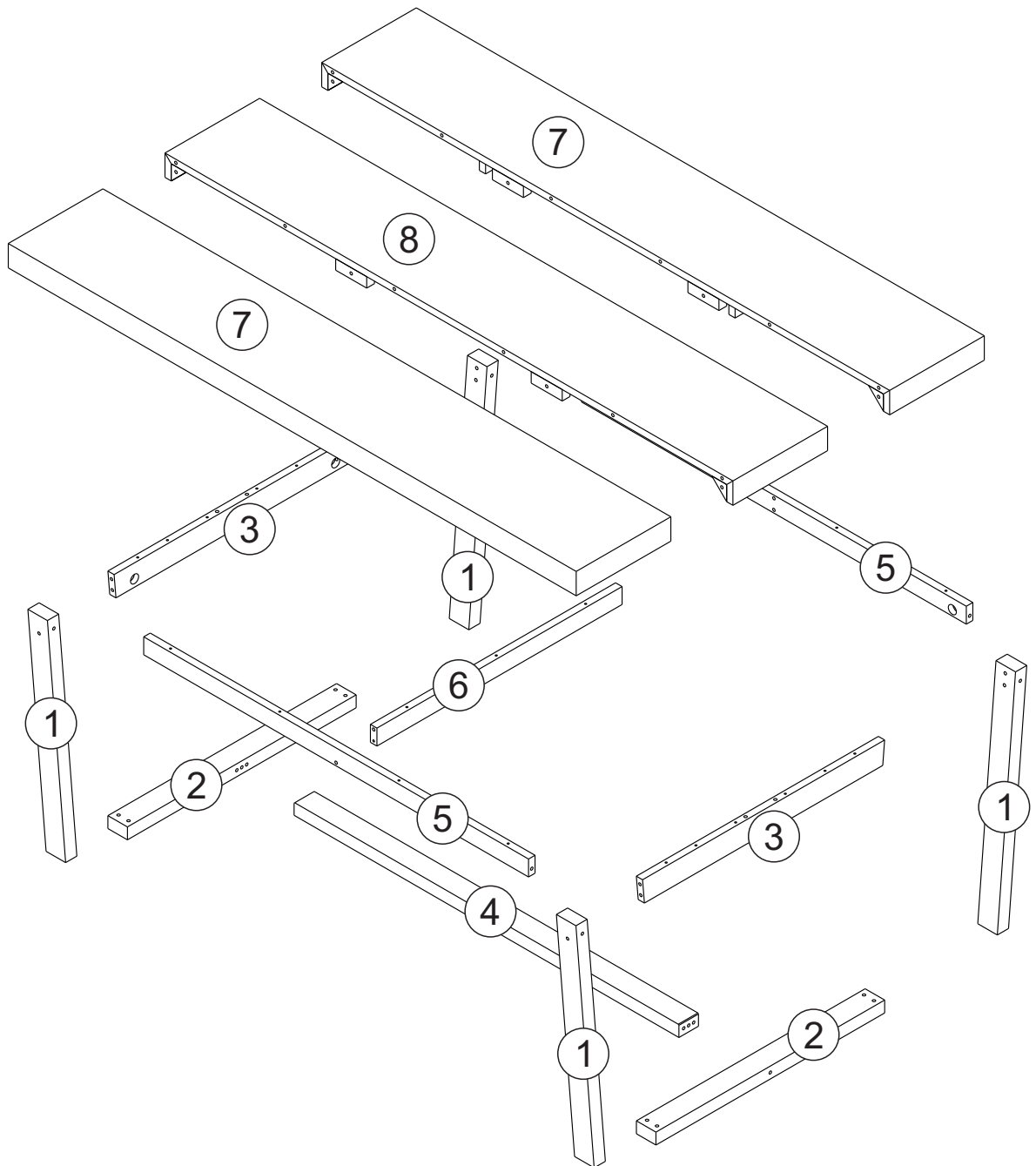
- I. Ensure that all parts and hardware are available before beginning assembly.
- II. Follow each step carefully to ensure the proper assembly of this product.
- III. Two people are recommended for ease in the assembly of this product.
- IV. The three main types of hardware used to assemble this product are : wood dowels , screws and bolts.
- V. A Phillips head screwdriver is required for the assembly of this product .




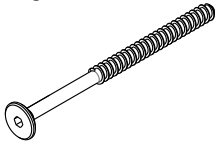

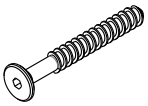

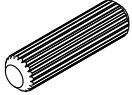

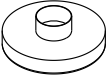
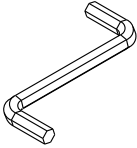
- VI. Power tools should not be used to assemble this product .



Parts List



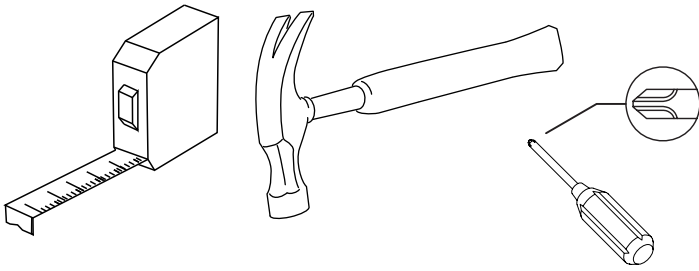
Hardware List

A		Ø 1/4"x110 mm	Bolt	10 pcs
B		Ø 7.0x70 mm	Bolt	08 pcs
C		Ø 1/4"x50 mm	Bolt	08 pcs
D		Ø 7.0x50 mm	Bolt	02 pcs
E		Ø 4.0x50 mm	Screw	23 pcs
F		Ø 8x30 mm	Wood dowel	26 pcs
G		Ø 1/4"	Barrel nut	10 pcs
H			Plastic foot	04 pcs
I		M4	Hex key	01 pcs

Philips head screwdriver required for assembly
(not included)

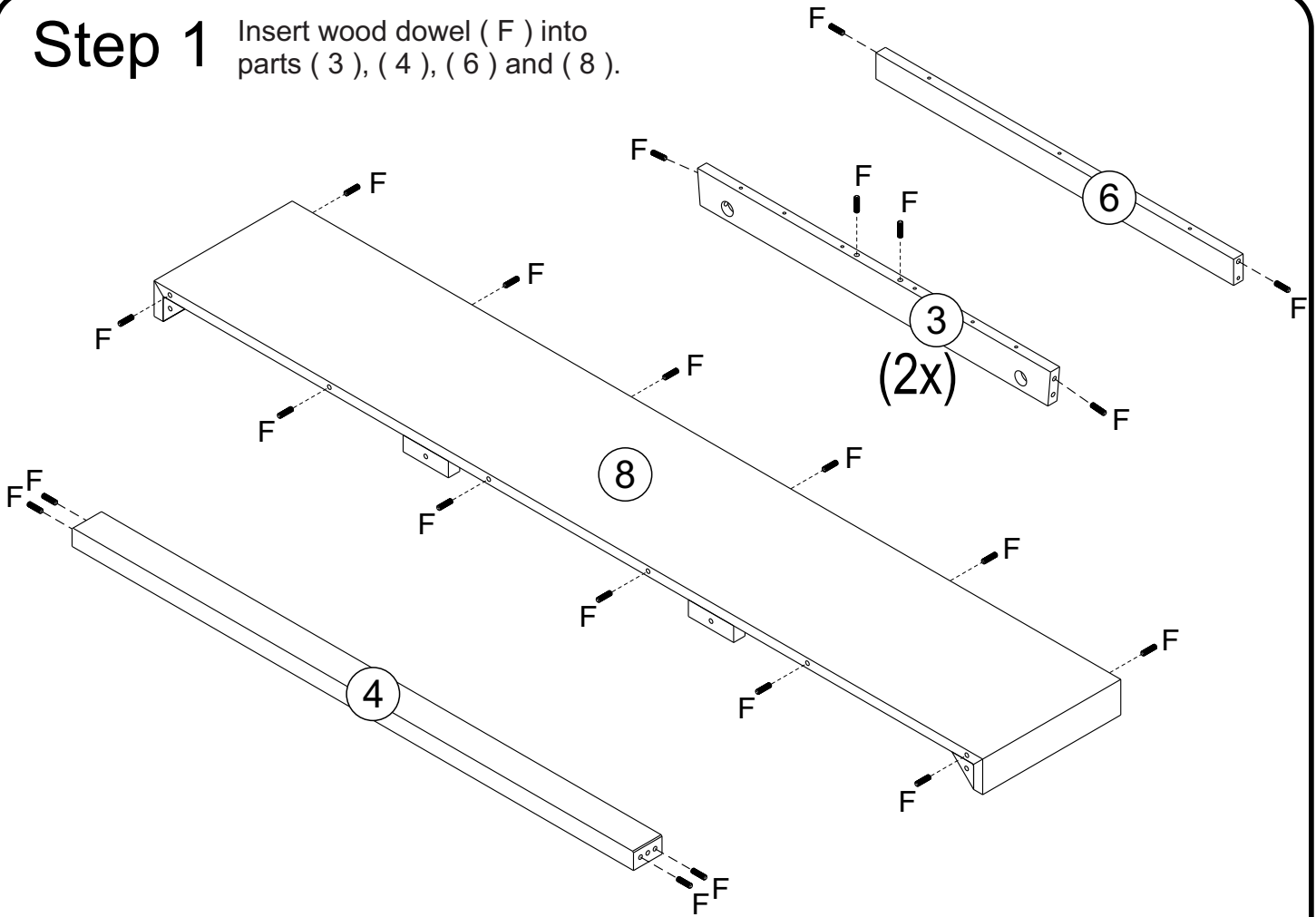
Tape measure recommended for assembly
(not included)

Mallet or hammer recommended for assembly
(not included)



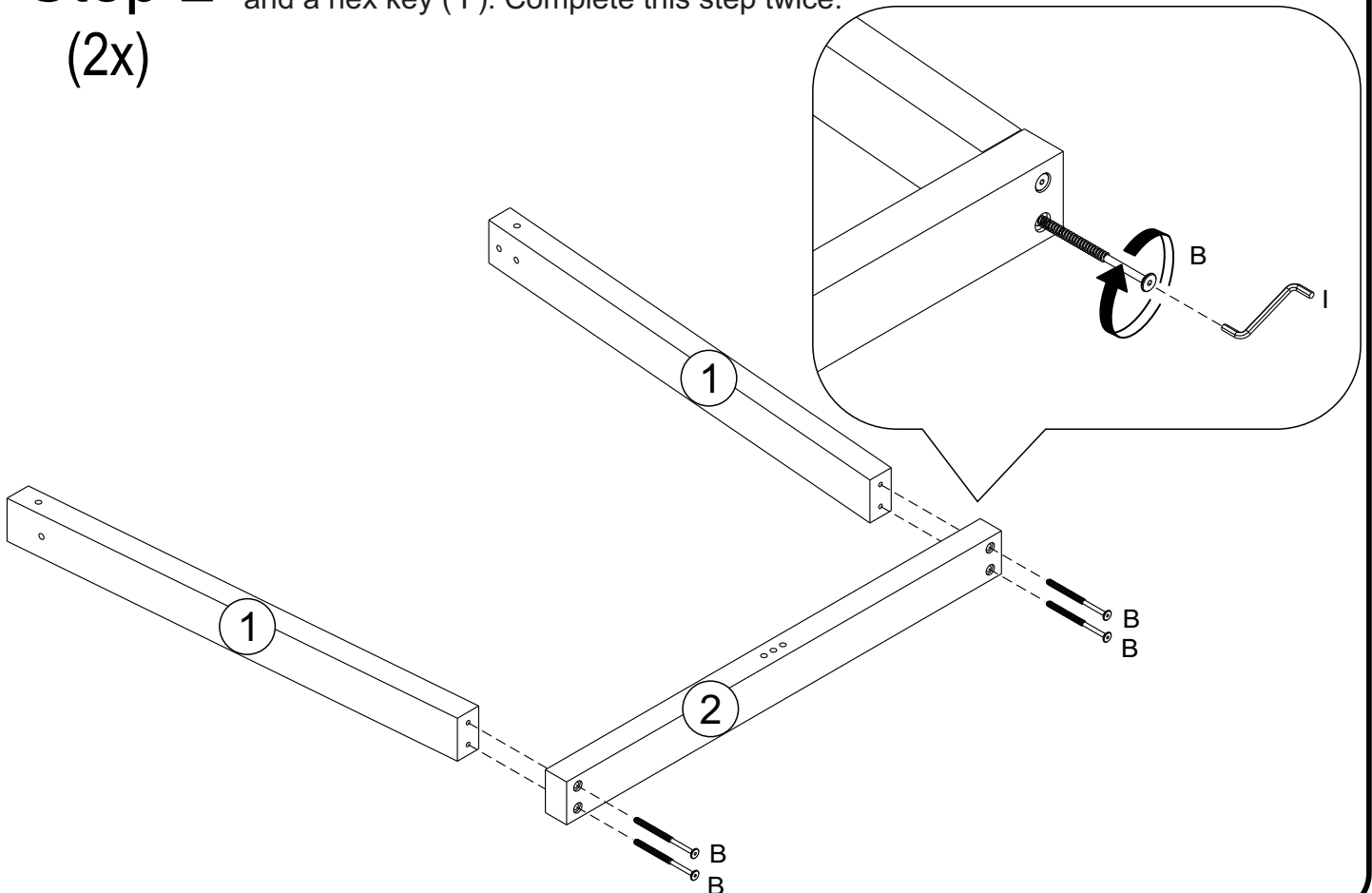
*The hardware quantities listed above are required for proper assembly.
Some extra hardware may also have been included.*

Step 1 Insert wood dowel (F) into parts (3), (4), (6) and (8).

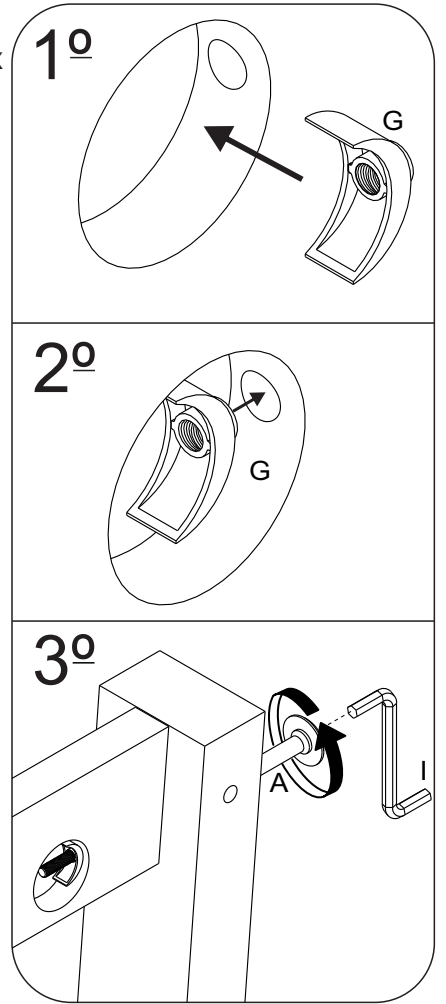
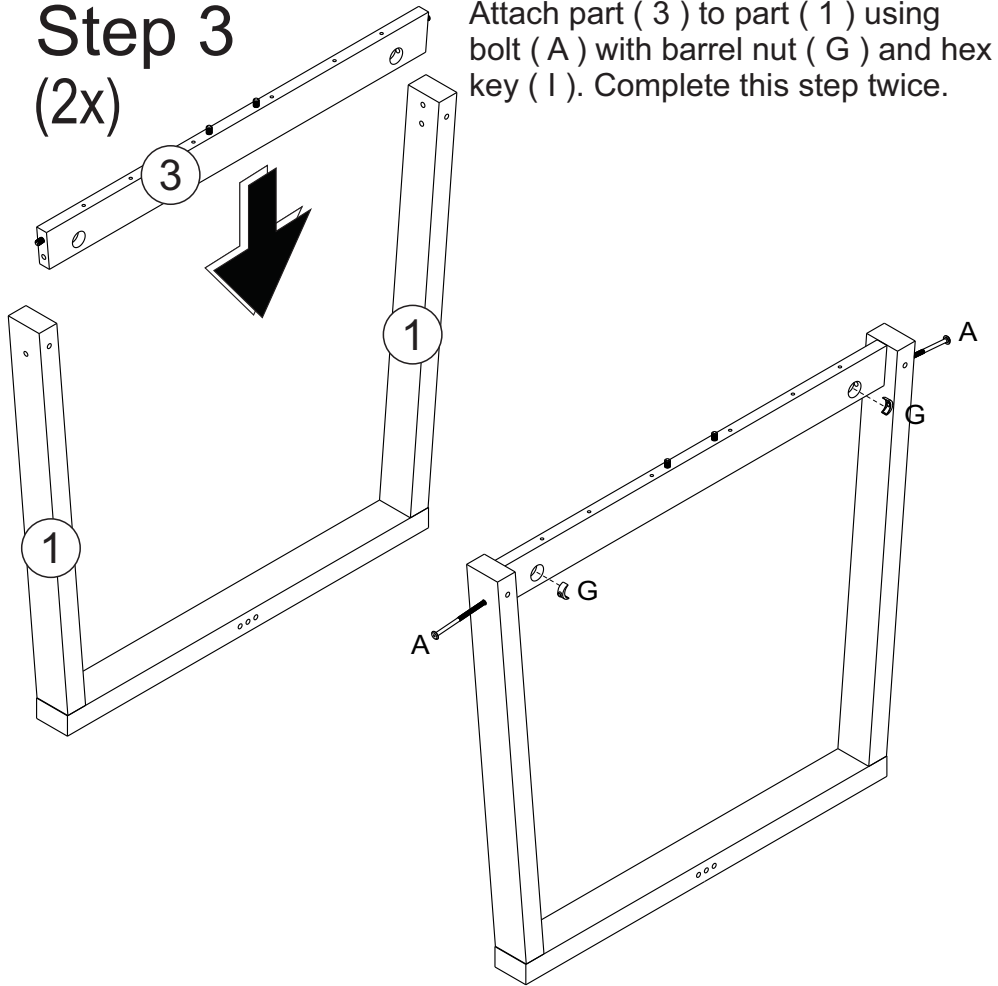


Step 2 Attach part (2) to part (1) using bolt (B) and a hex key (I). Complete this step twice.

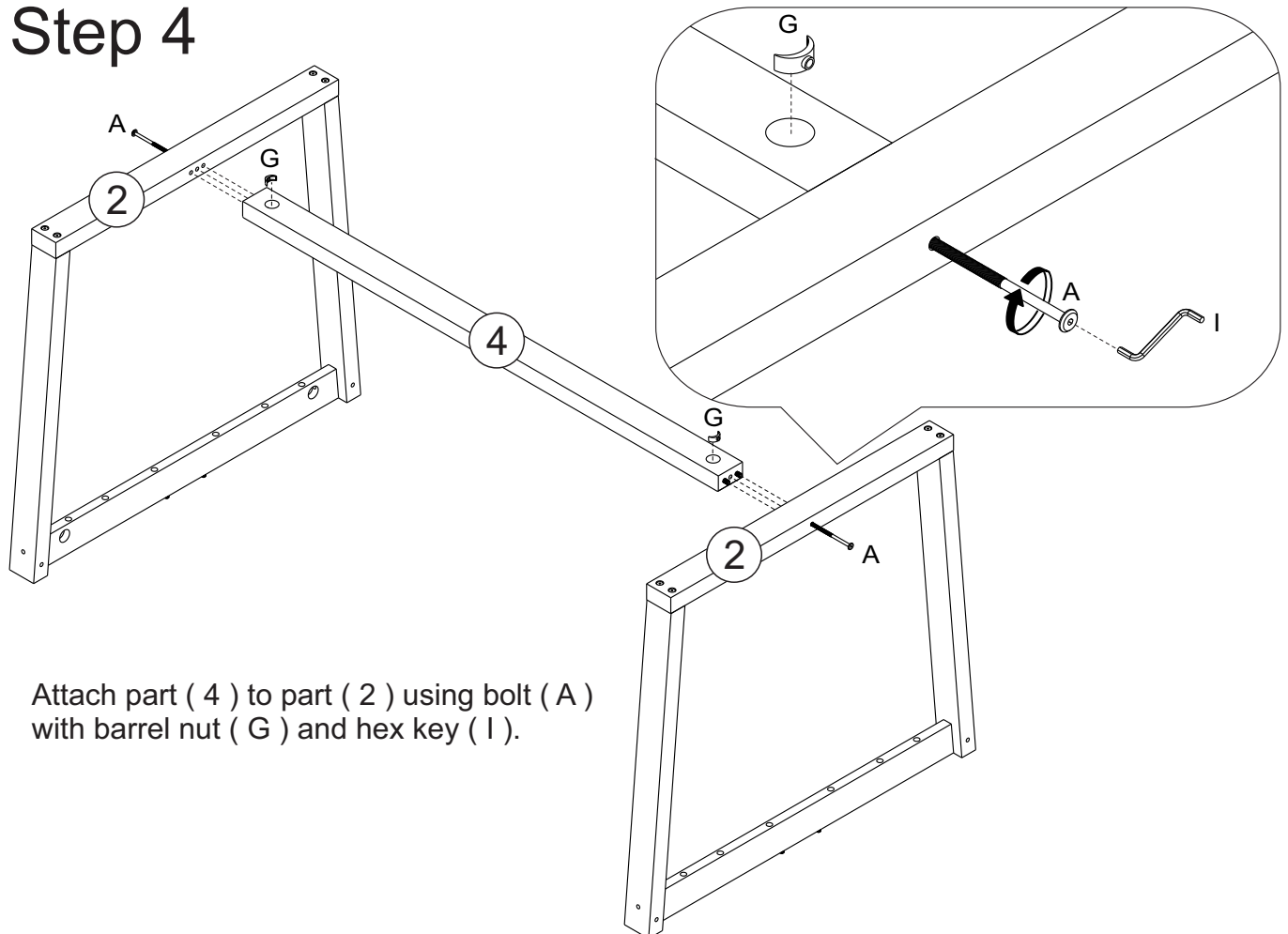
(2x)



Step 3 (2x)

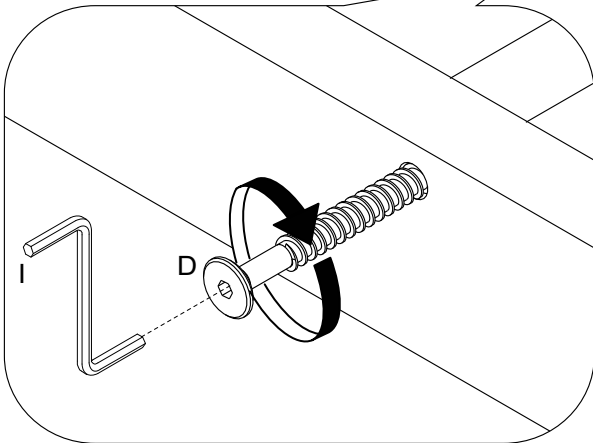
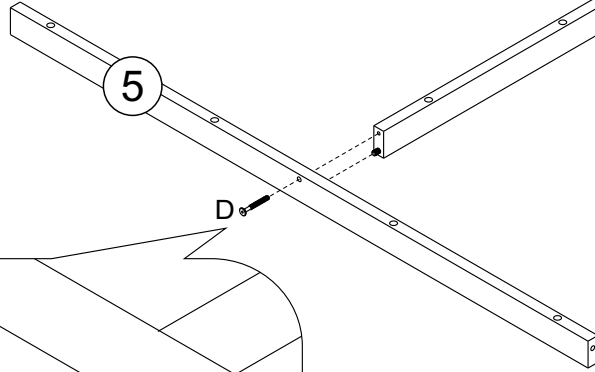
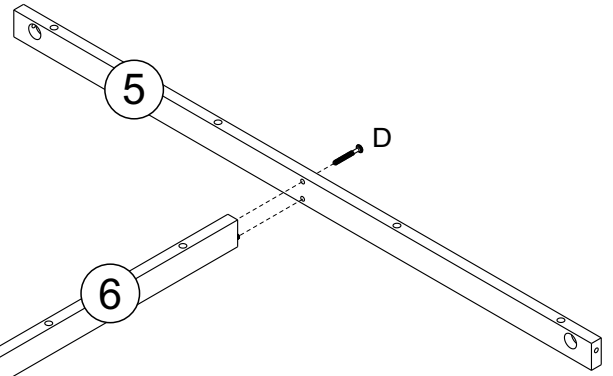


Step 4

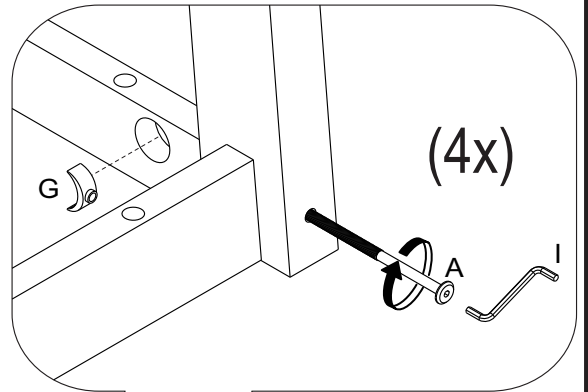
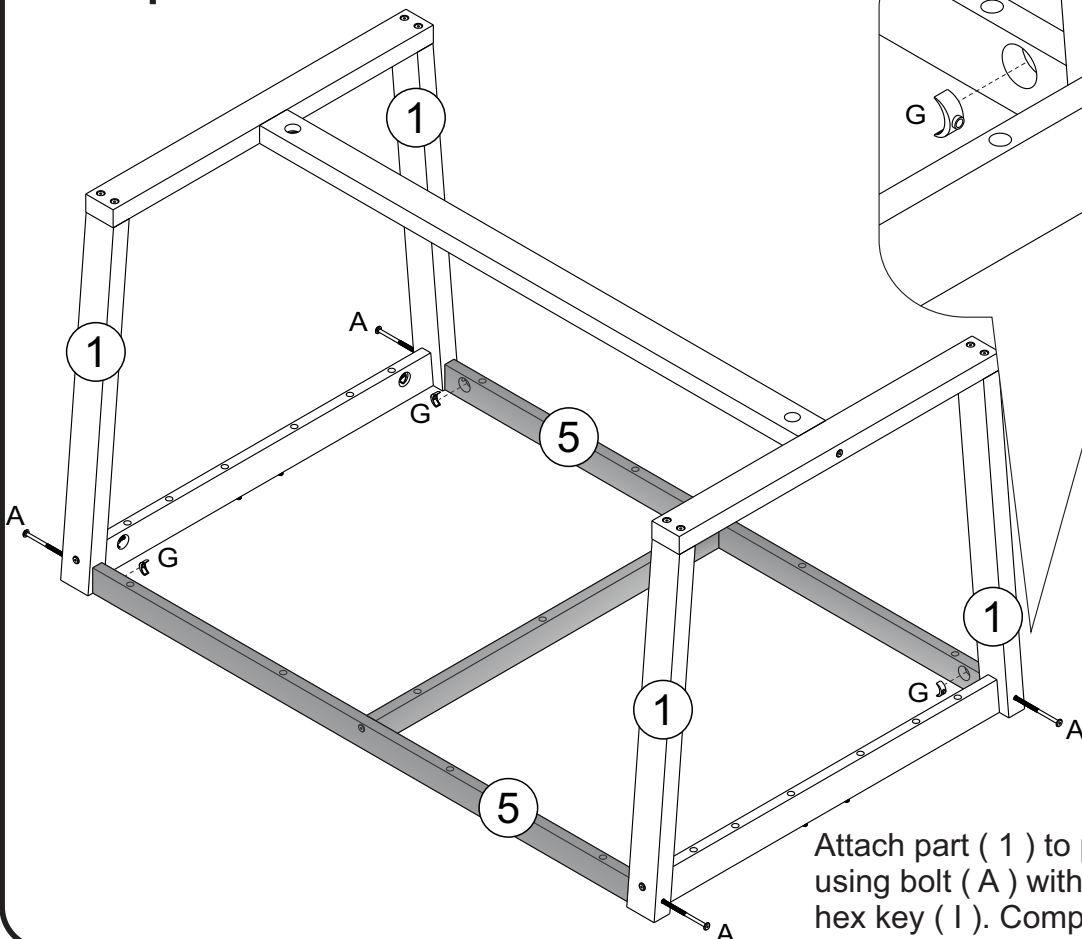


Step 5

Attach part (6) to part (5) using bolt (D) and hex key (I).

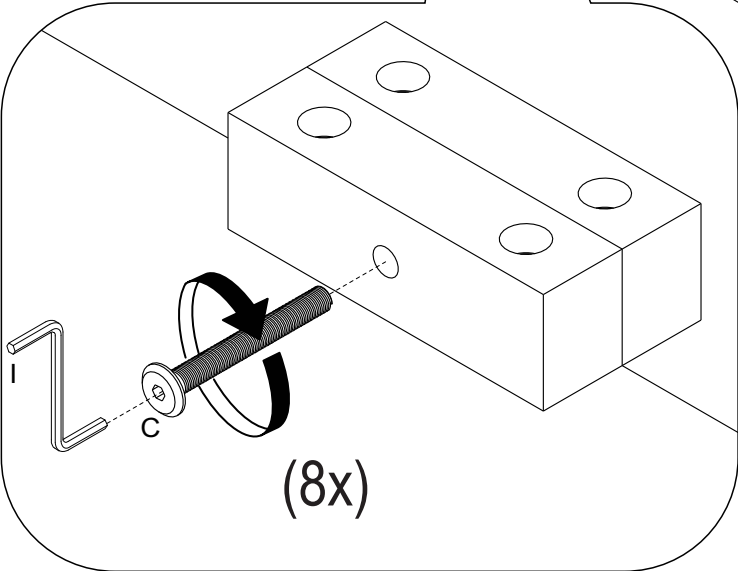
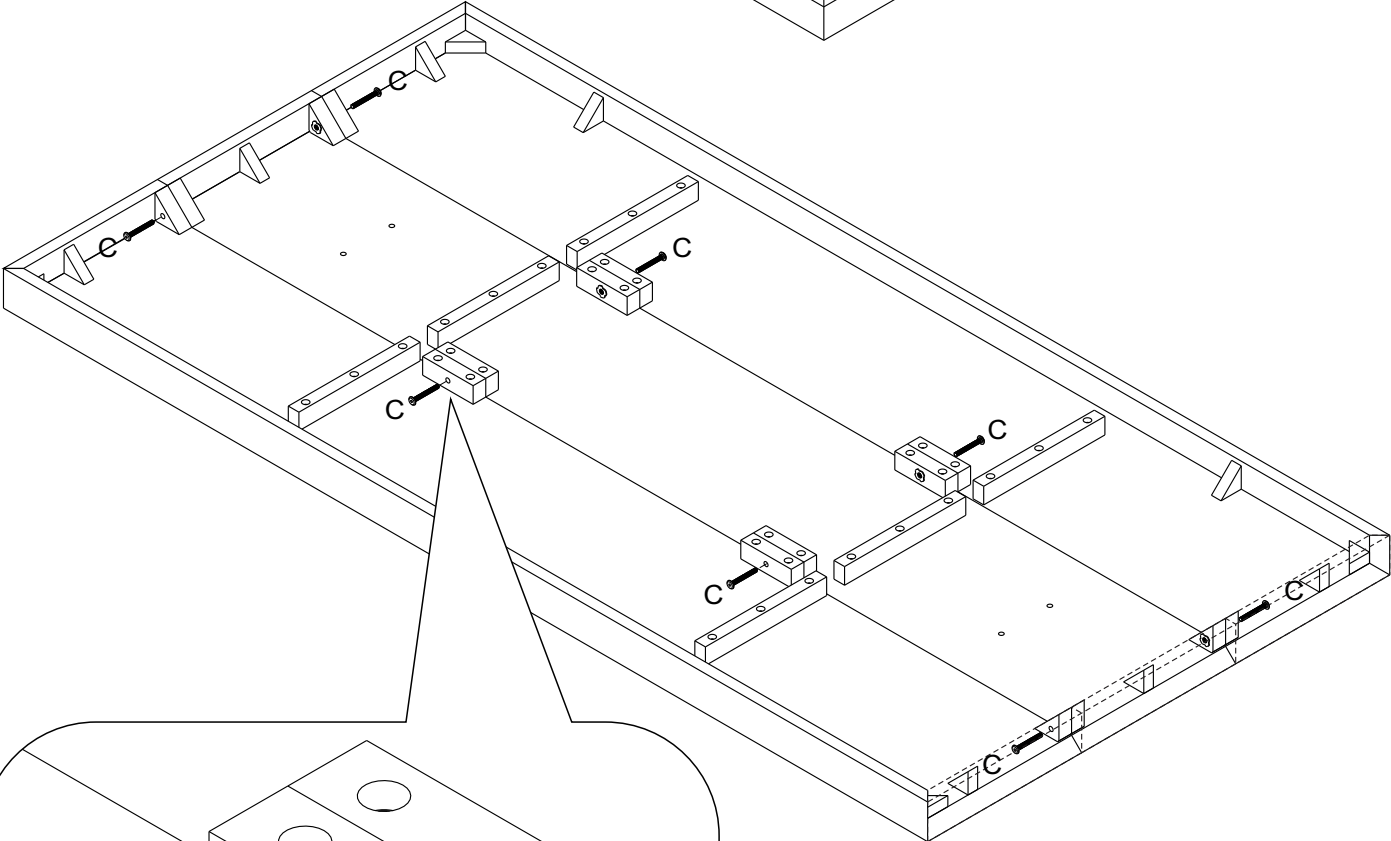
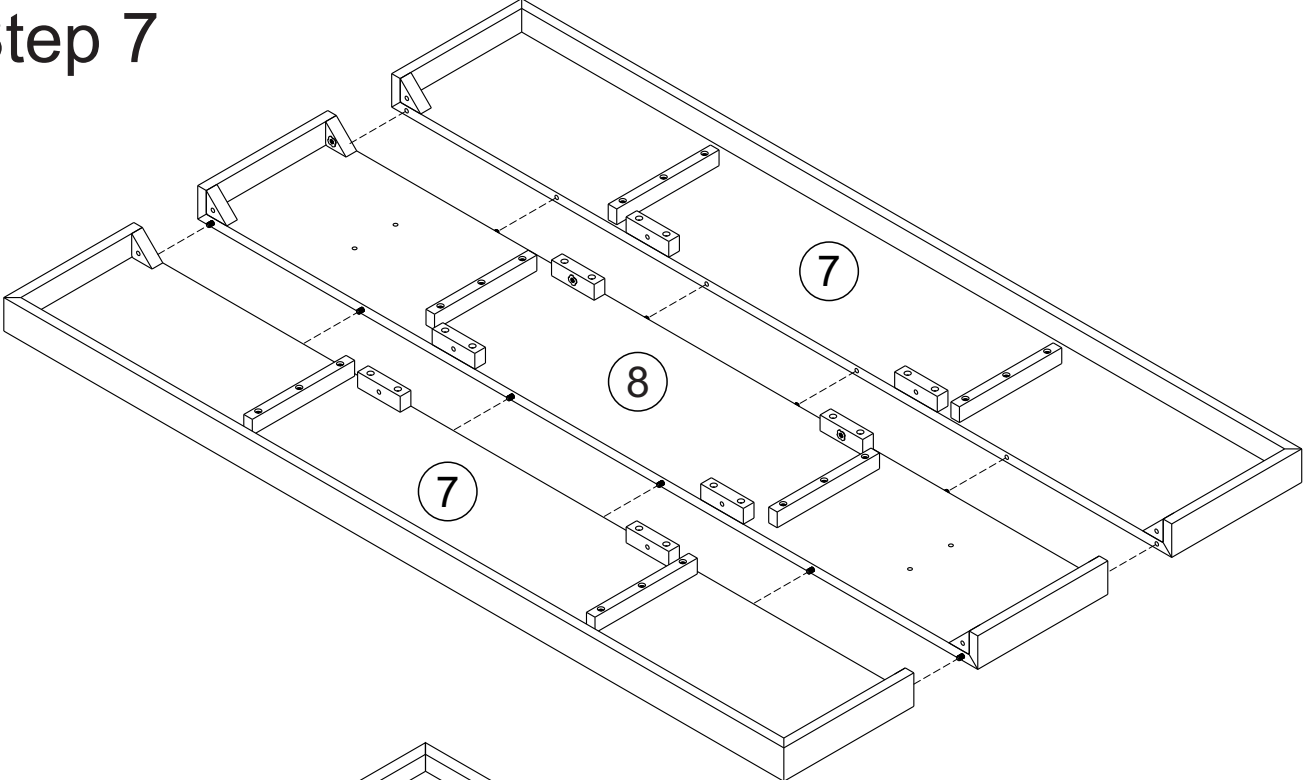


Step 6



Attach part (1) to part (5) using bolt (A) with barrel nut (G) and hex key (I). Complete this step four times.

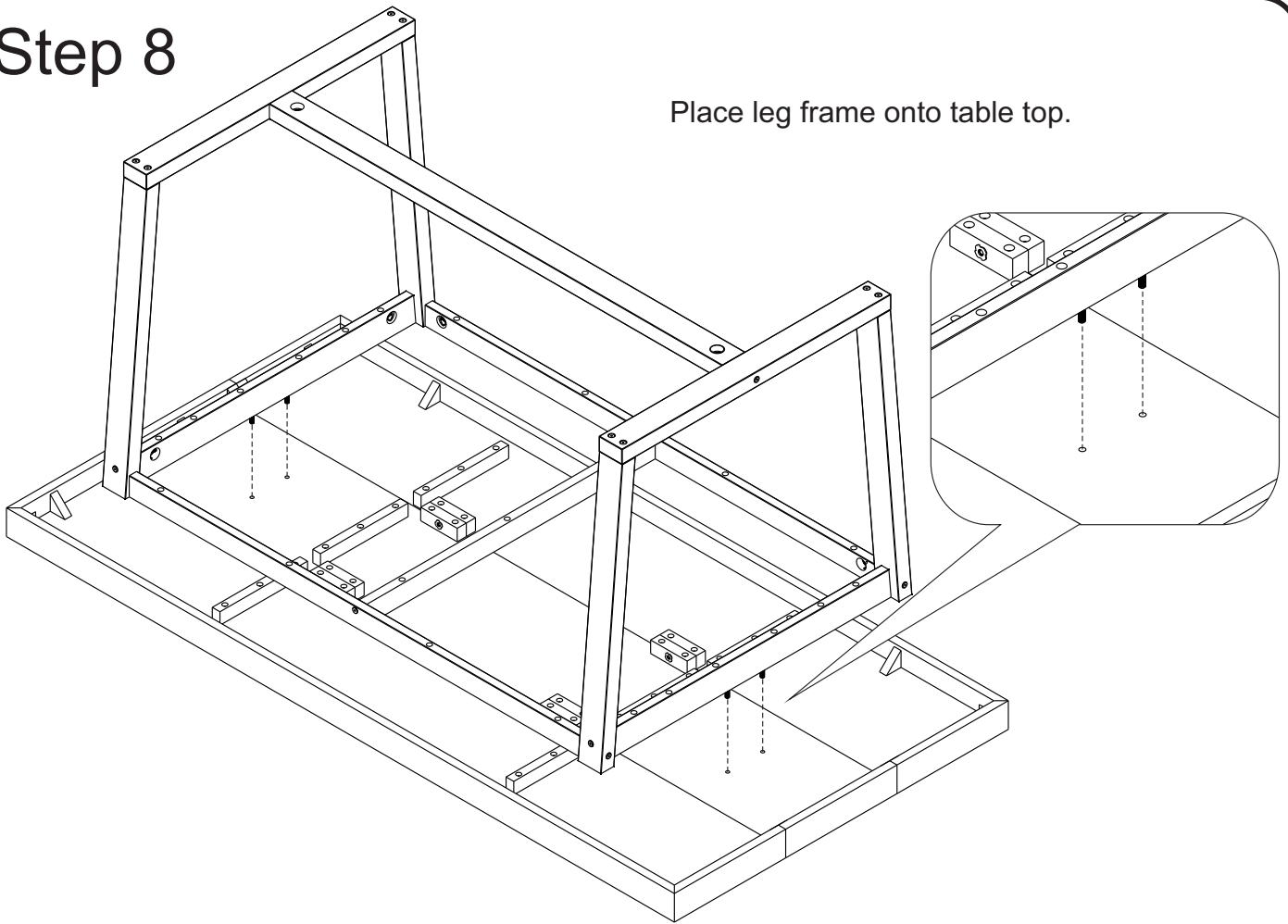
Step 7



Attach part (8) to part (7).
Secure the pieces using bolt (C)
and hex key (I).

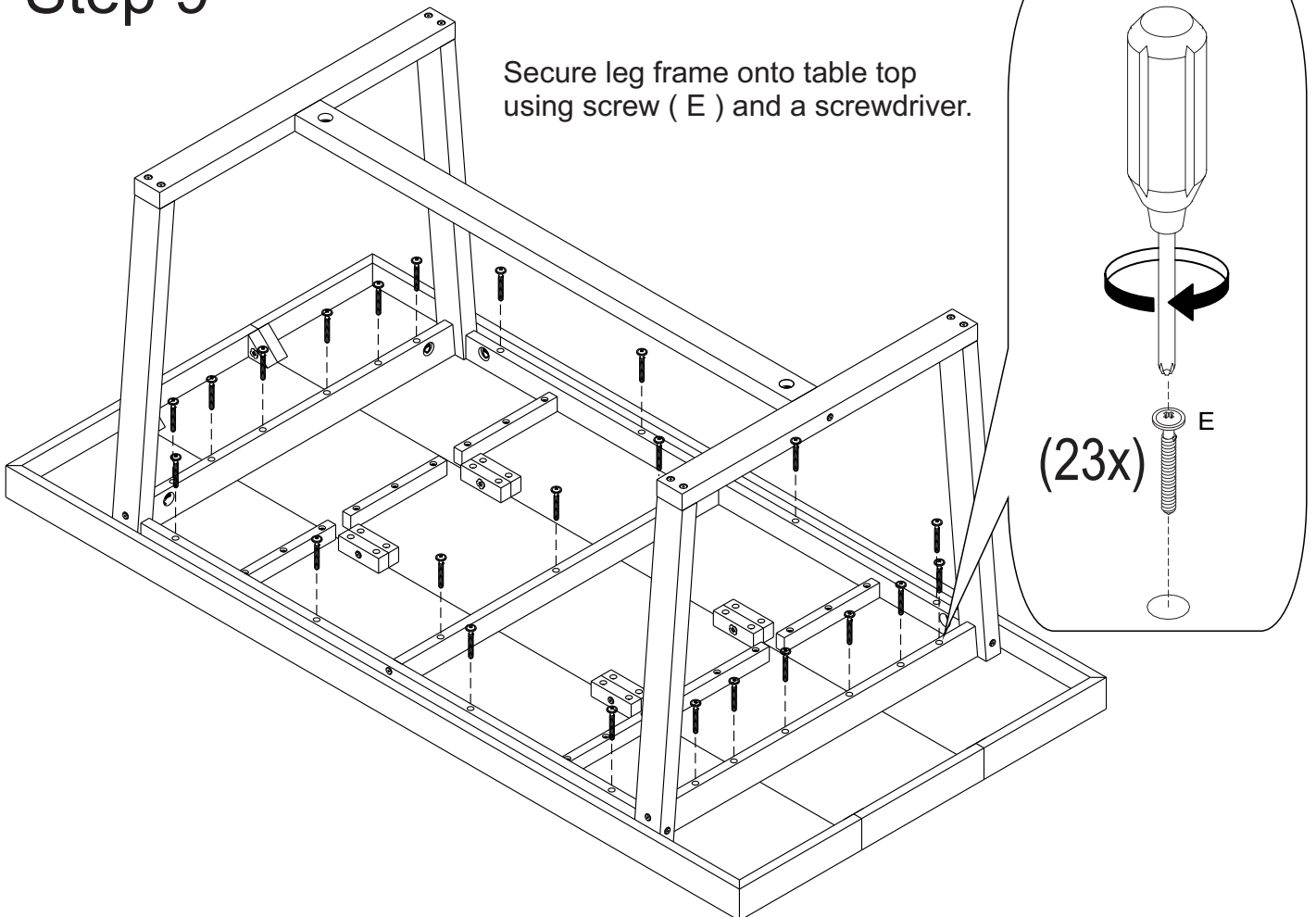
Step 8

Place leg frame onto table top.

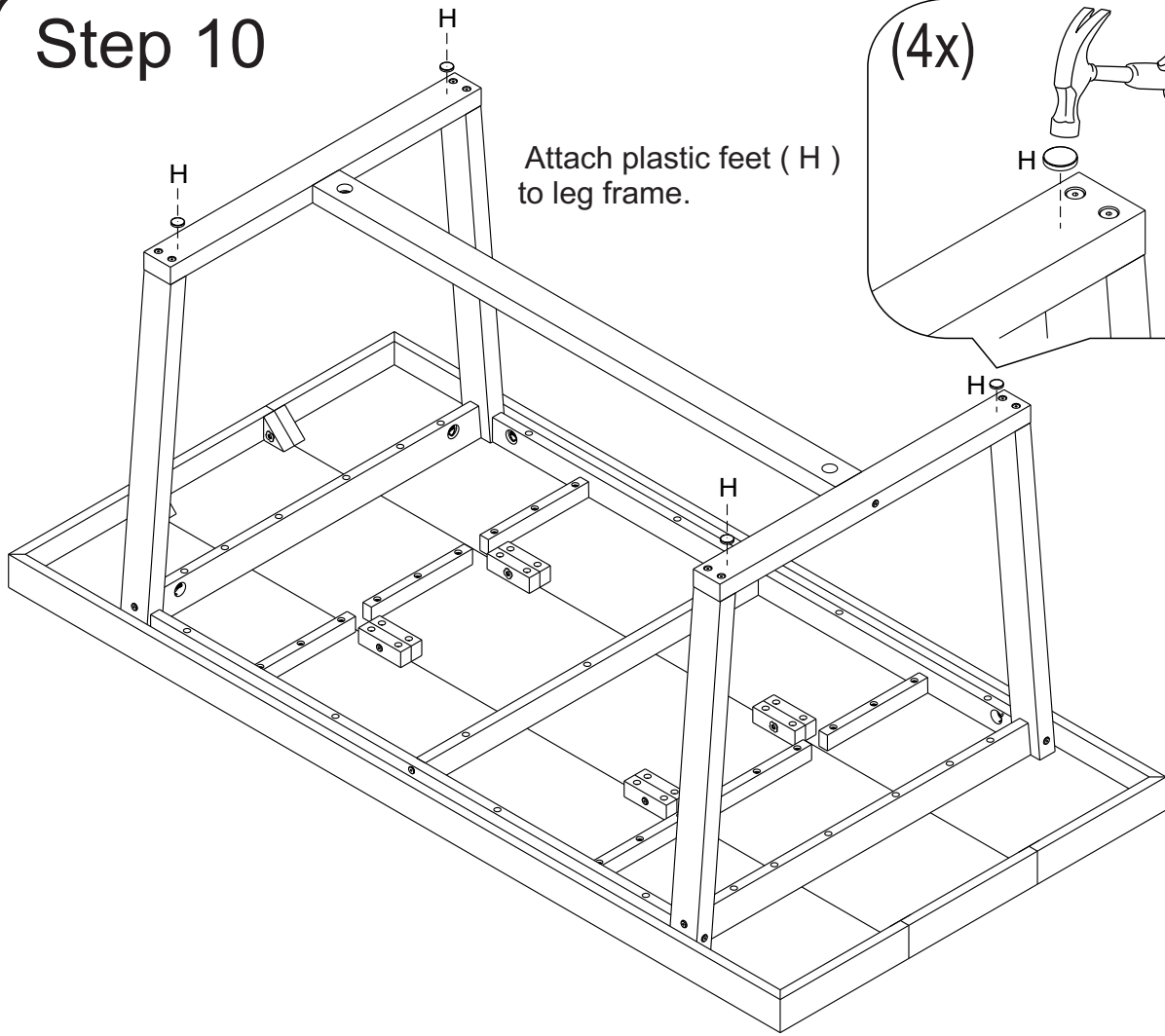


Step 9

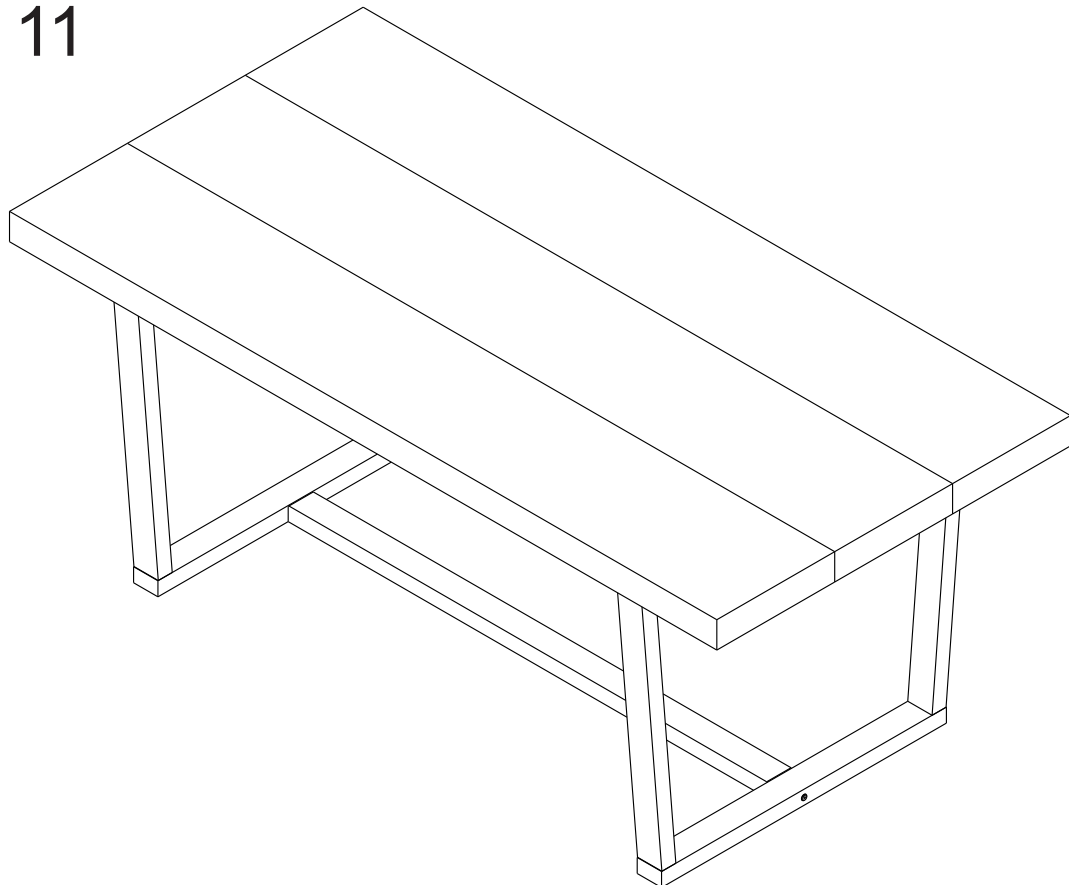
Secure leg frame onto table top using screw (E) and a screwdriver.



Step 10



Step 11



Final Assembly.