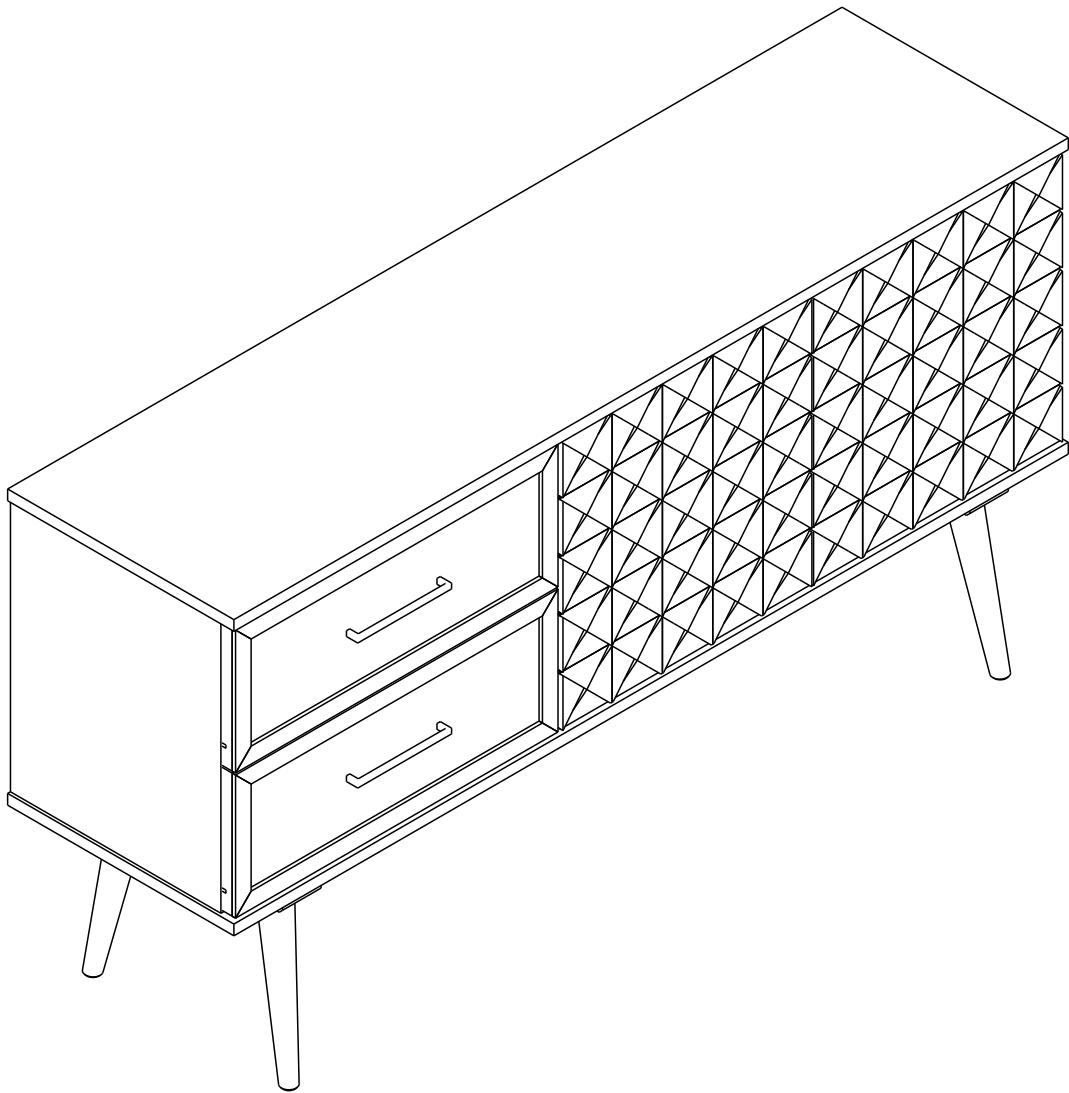


# Item # : BU58TESSW

## Assembly Instructions



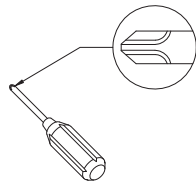
Walker  
Edison®

Please visit our website for the most current instructions, assembly tips, to report damage or request parts. [www.walkeredson.com](http://www.walkeredson.com)

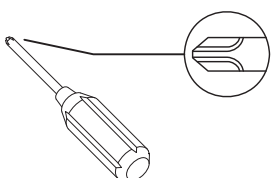
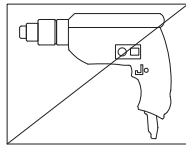
Revised 02/2021

# General Assembly Guidelines

- I. Ensure that all parts and hardware are available before beginning assembly.
- II. Follow each step carefully to ensure the proper assembly of this product.
- III. Two people are recommended for ease in the assembly of this product.
- IV. The three main types of hardware used to assemble this product are wood dowels, screws and bolts.
- V. A Phillips head screwdriver is required for the assembly of this product.

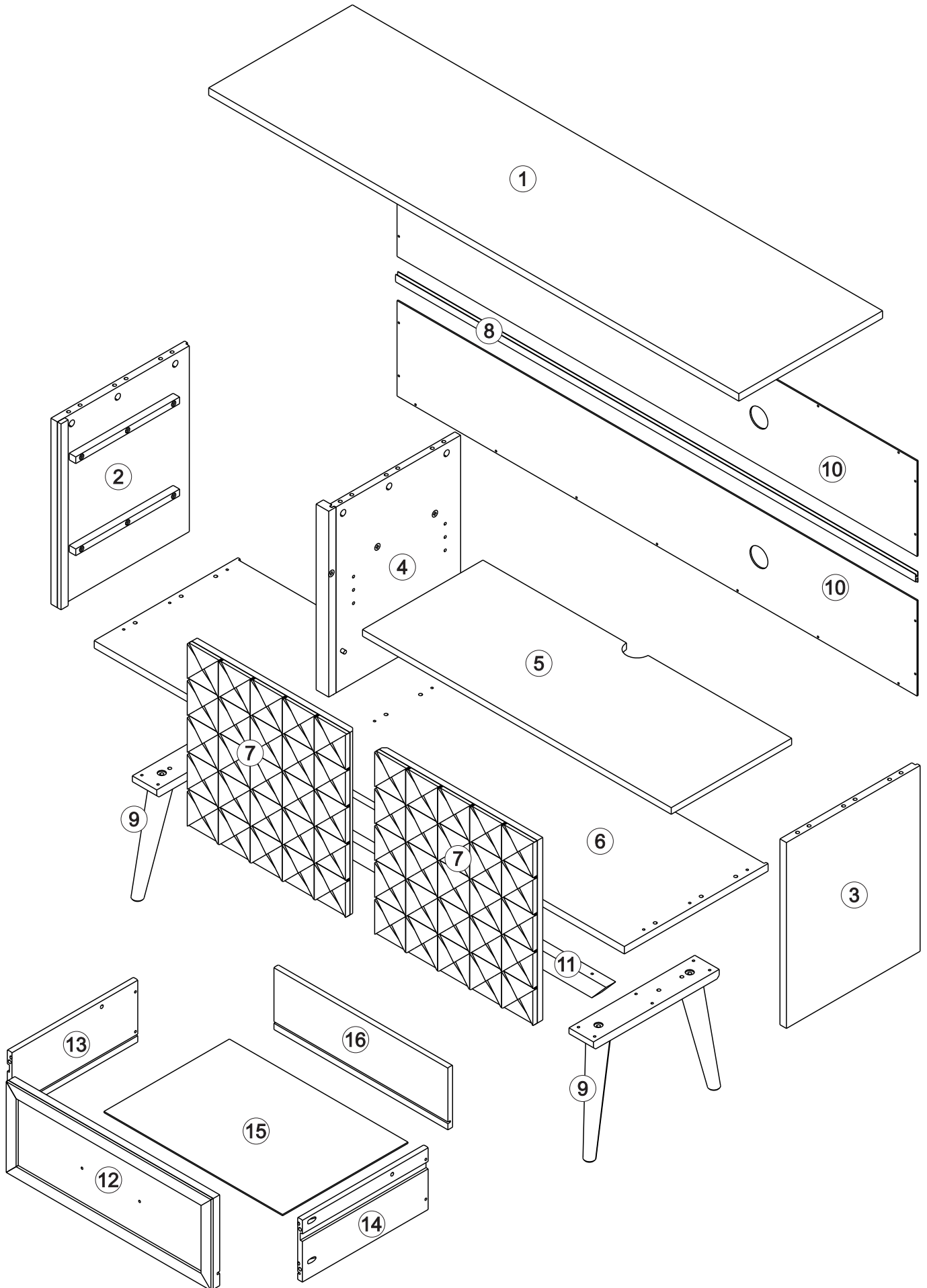


- VI. Power tools should not be used to assemble this product.

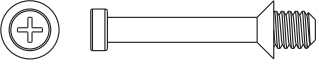
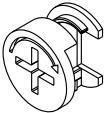
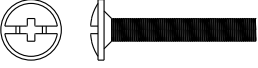
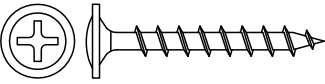
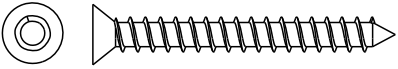
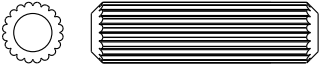

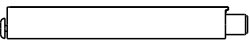
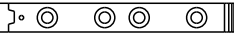
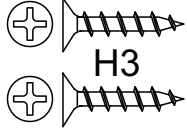


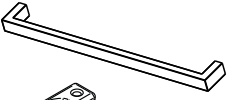
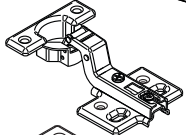
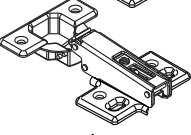




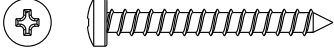


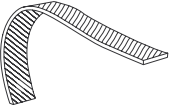

Phillips head screwdriver required for assembly  
(not included)

# Parts List



# Hardware List

A		Ø 5,5x28mm	Cam Bolt	09 pcs
B		Ø 14x14mm	Cam Lock	09 pcs
C		M4x22mm	Screw	04 pcs
D		Ø 4,0x30 mm	Screw	33 pcs
E		Ø 4,0x40 mm	Screw	09 pcs
F		Ø 8,0x30 mm	Wood dowel	36 pcs
G			Shelf support	04 pcs
H	    		Touch closure	02 pcs
I			Knob	02 pcs
J			Hinge	02 pcs
K			Hinge	02 pcs
L		Ø 3,5x16 mm	Screw	16 pcs
M		Ø 3,5x16 mm	Screw	22 pcs

V		Ø 3,5x30mm	Screw	01 pc
W		Ø 6mm	Plastic Anchor	01 pc
X			Washer	02 pcs
Y			Strip	01 pc
Z		Ø 3,5x16mm	Screw	01 pc

*The hardware quantities listed above are required for proper assembly.  
Some extra hardware may also have been included.*

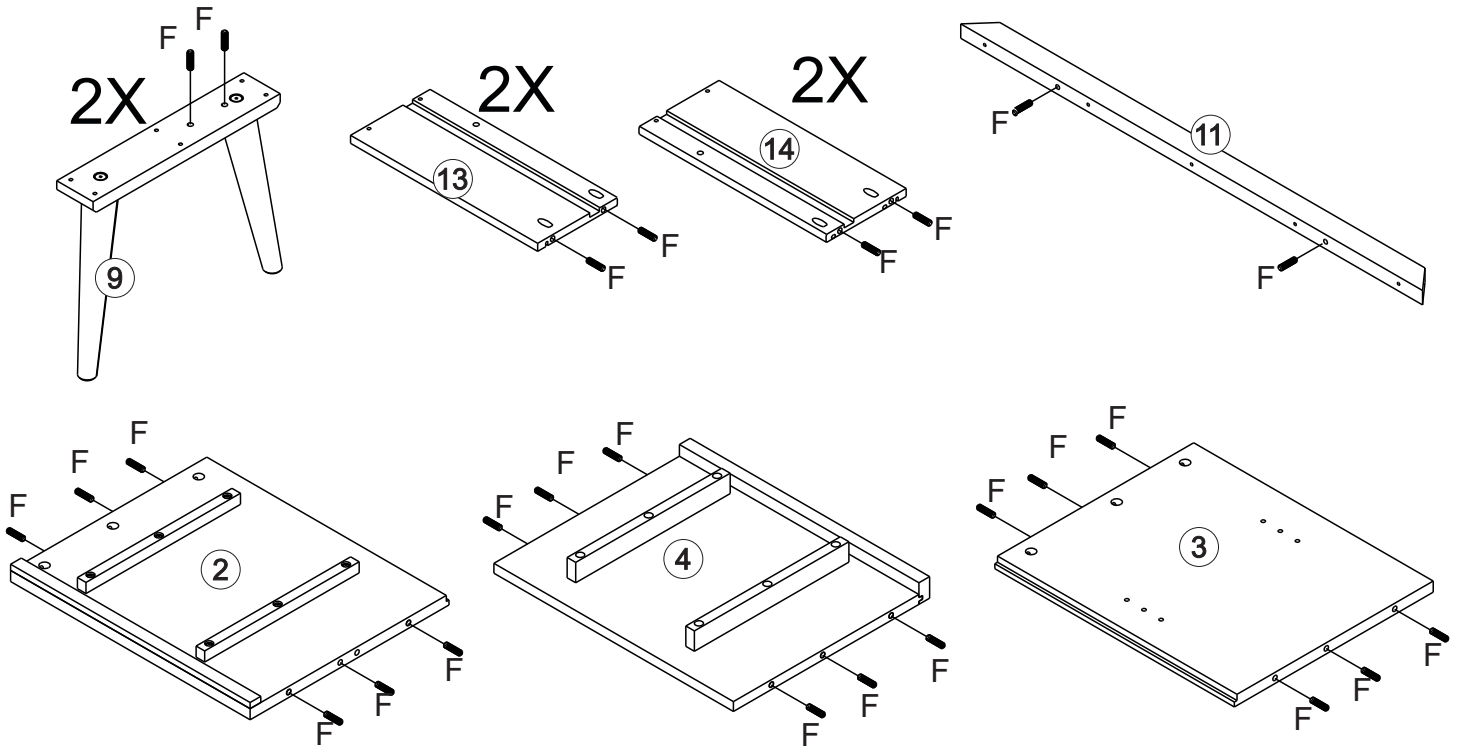
# Step 1

Insert wooden dowel (F) into part (2),(3),(4),(9),(11),(13) and (14)

F



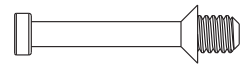
32



# Step 2

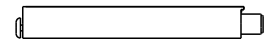
Fixing hardware (H1) in the (H2) according to diagram.  
Attach cam bolt (A) into part (1).

A



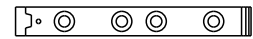
09

H1



02

H2

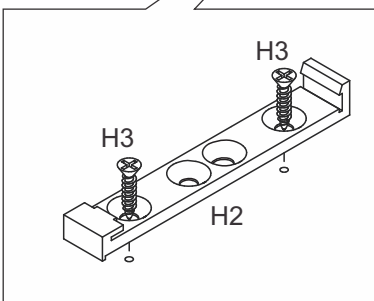
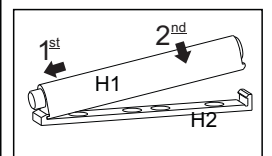
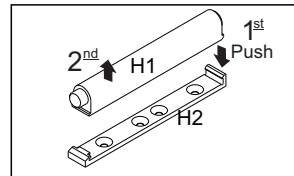
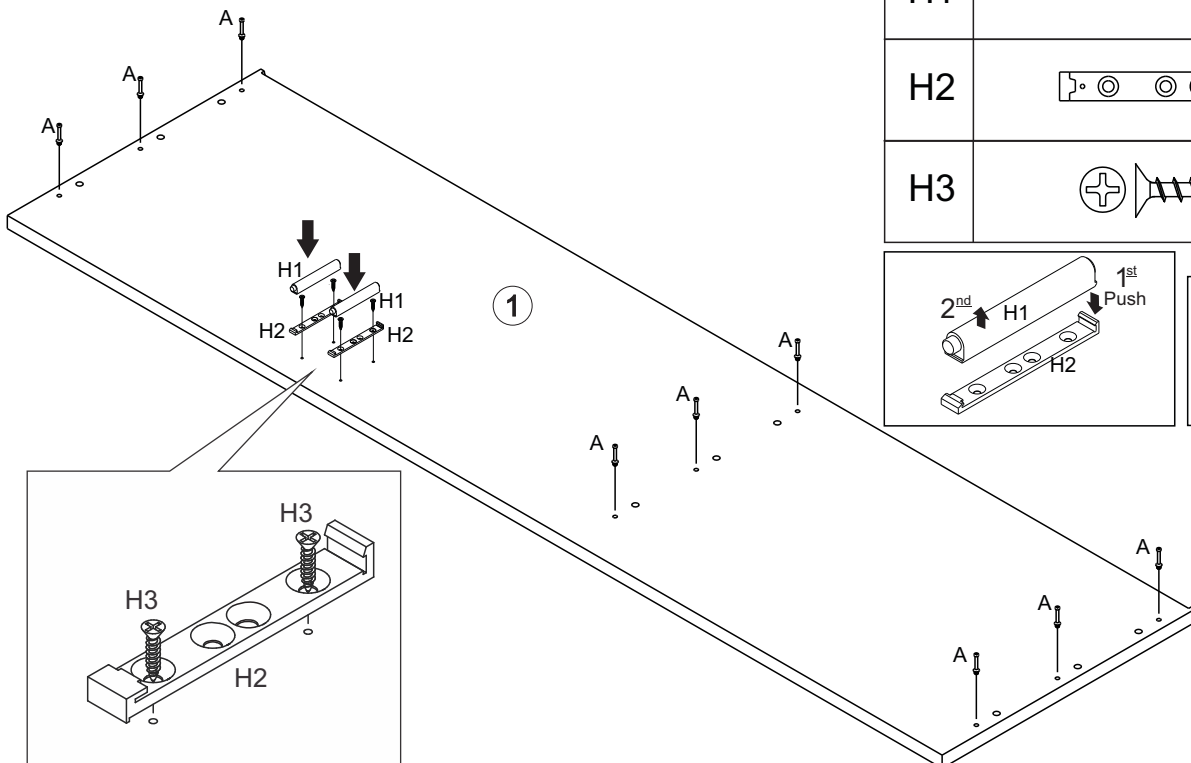


02

H3



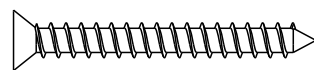
04



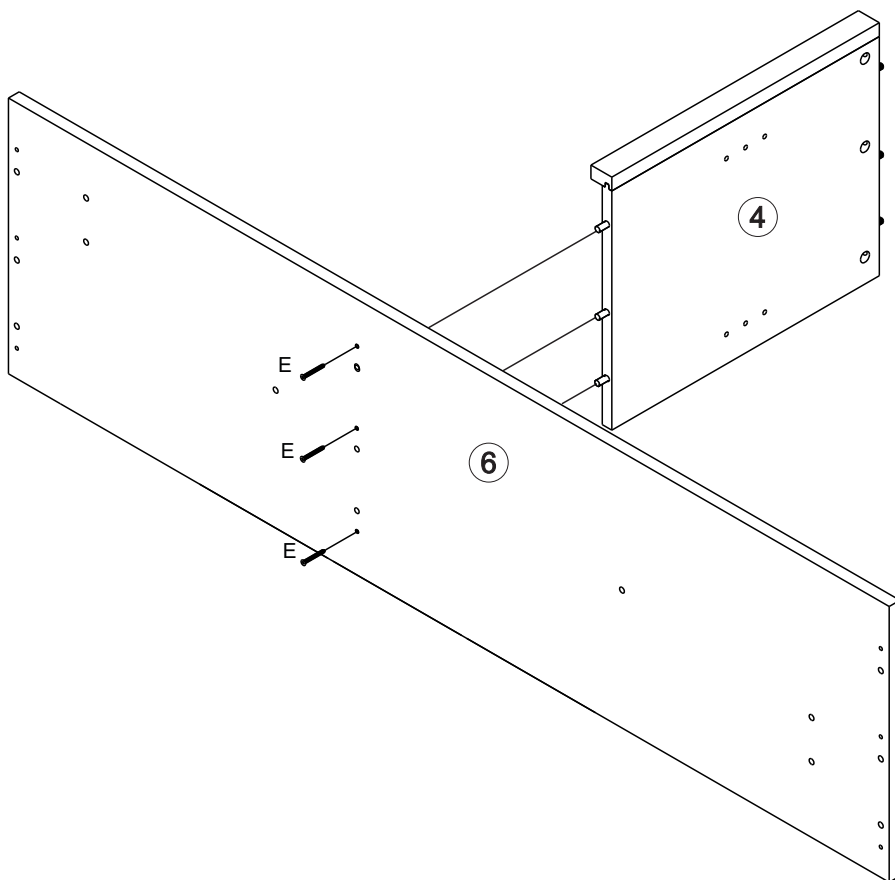
Attach touch closure (H2) in the pre drilled side of part (1) using screw (H3).

### Step 3 Secure part (4) to part (6) with screw (E)

E

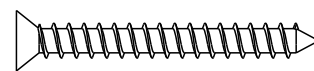


03

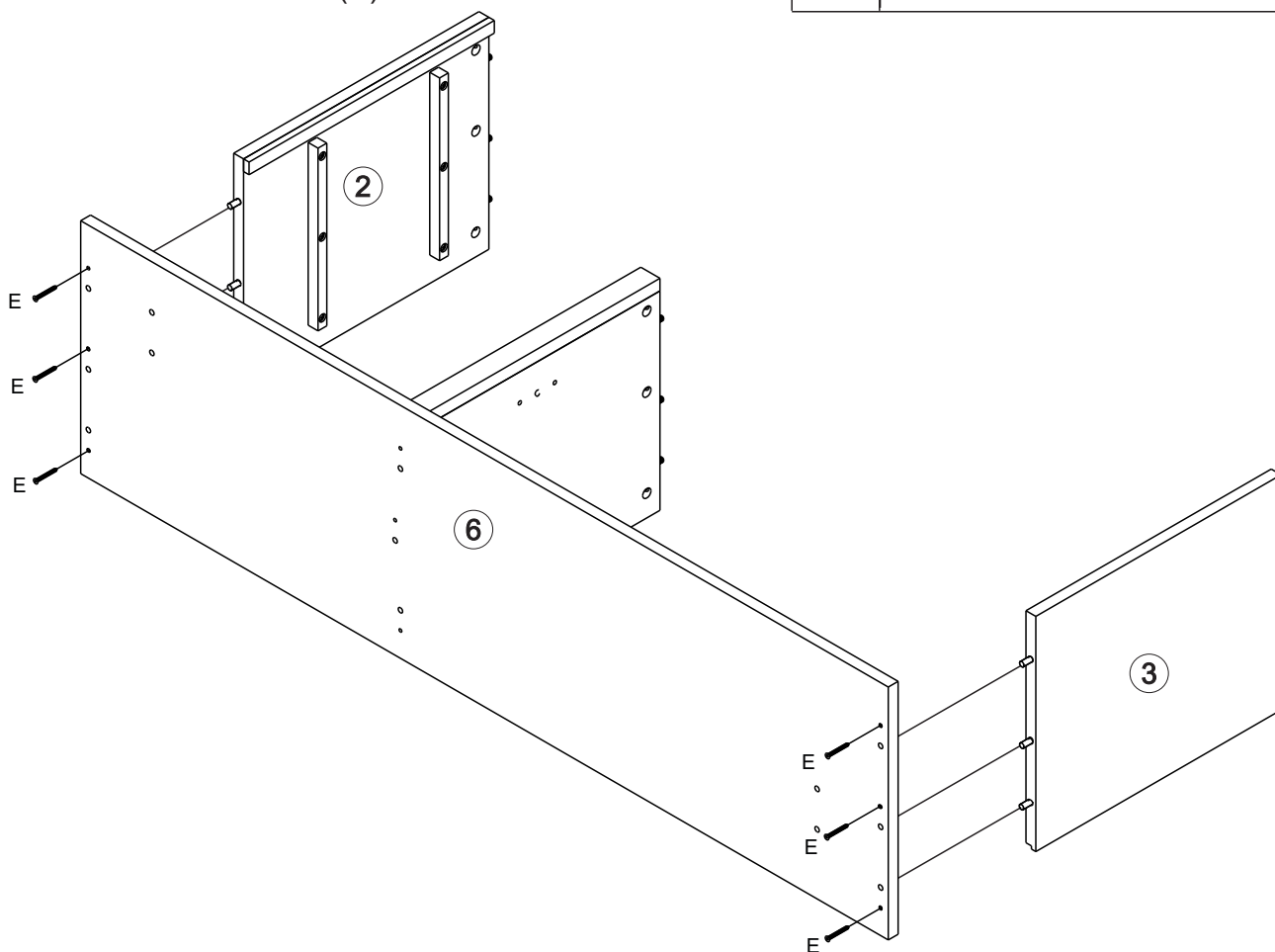


### Step 4 Secure part (2) and (3) to part (6) with screw (E)

E

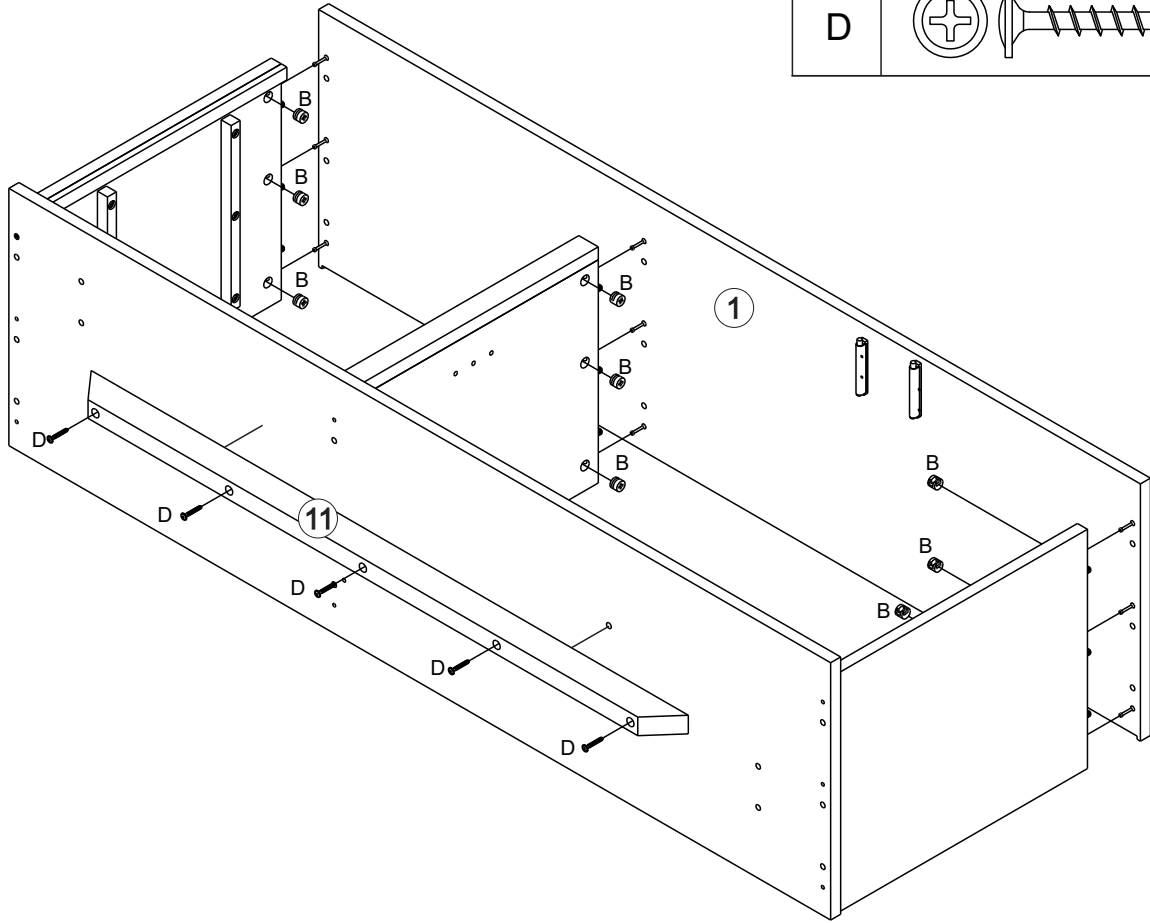


06



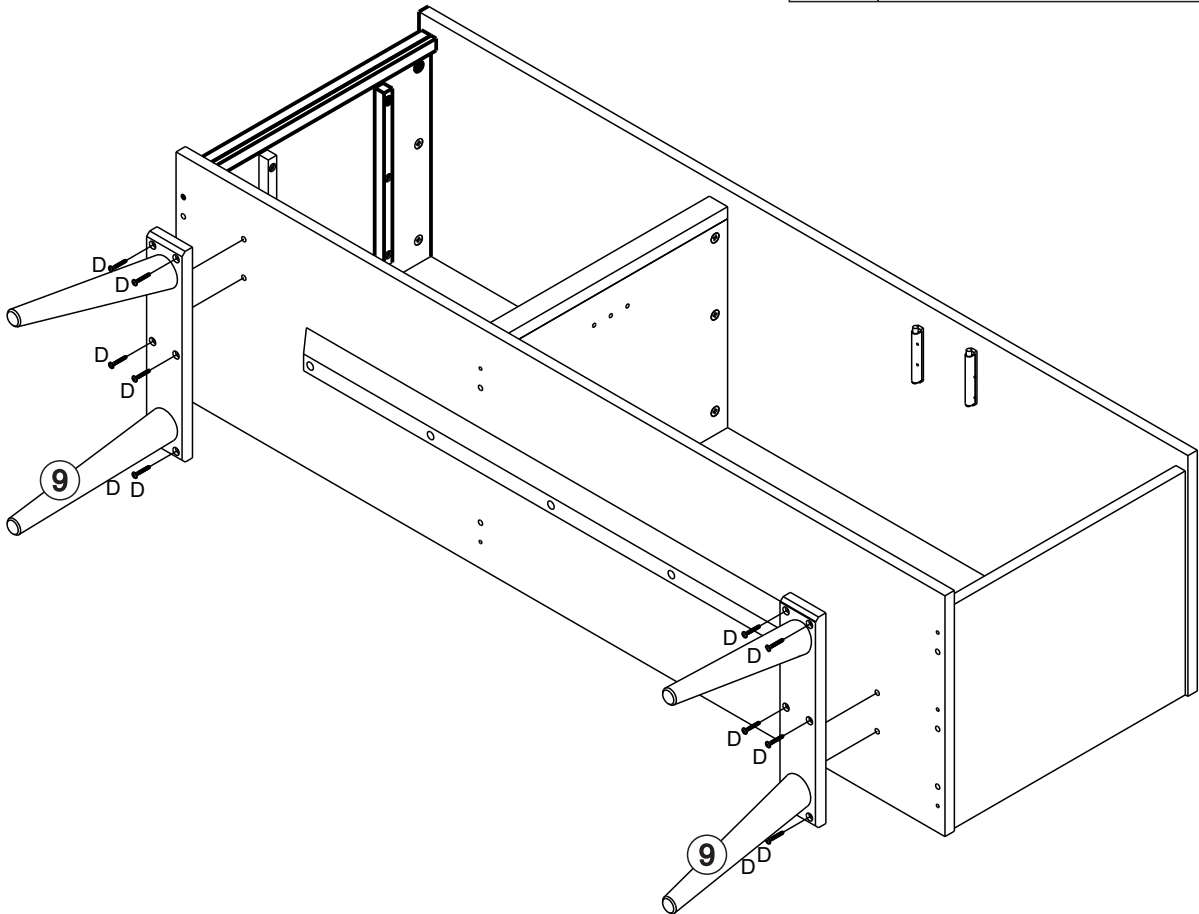
**Step 5** Secure part (11) to part (6) with screw (D).  
Secure part (1) to parts (2,3 and 4)  
using minifix cam lock (B).

B		09
D		05



**Step 6** Secure parts (9) to part (6) with screw (D).

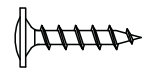
D		12
---	--	----



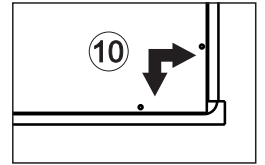
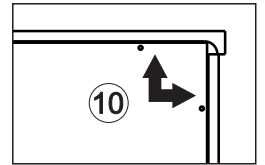
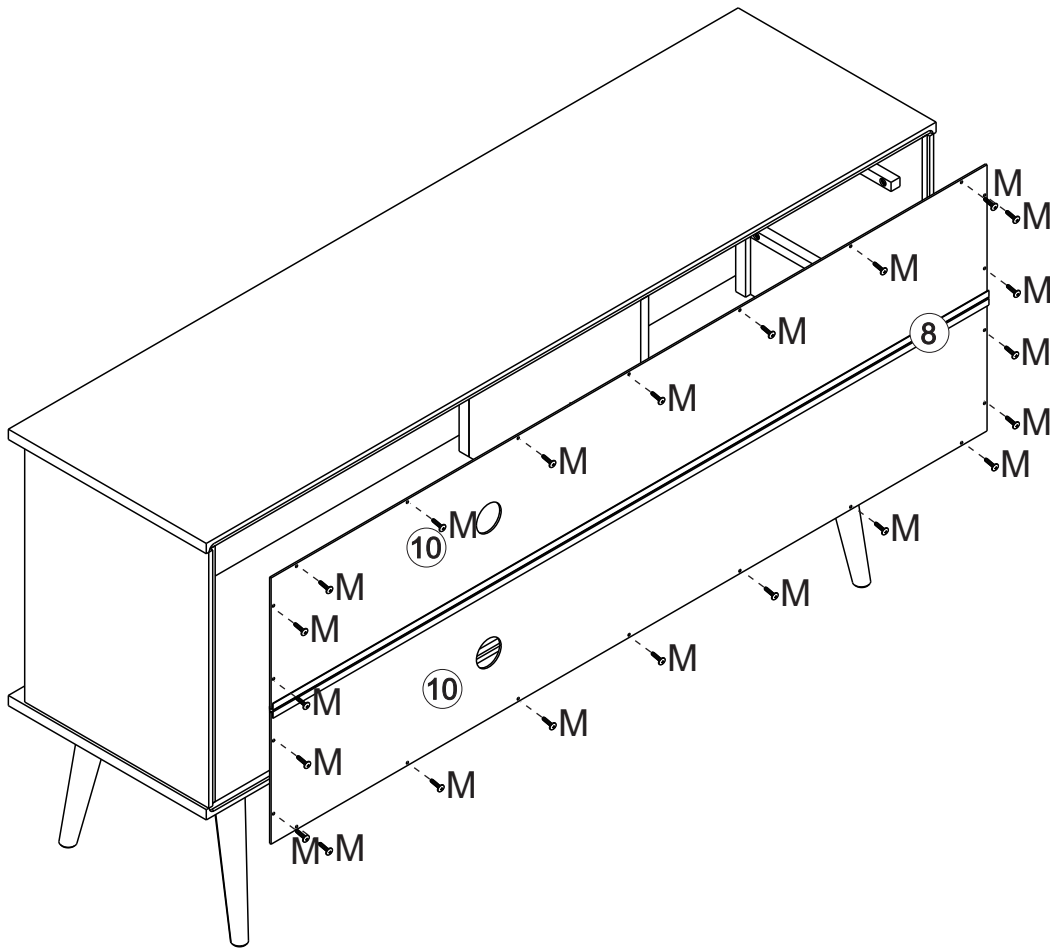
# Step 7

Secure back panel (8, 10) to body with screws (M).

M



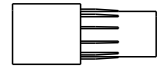
22



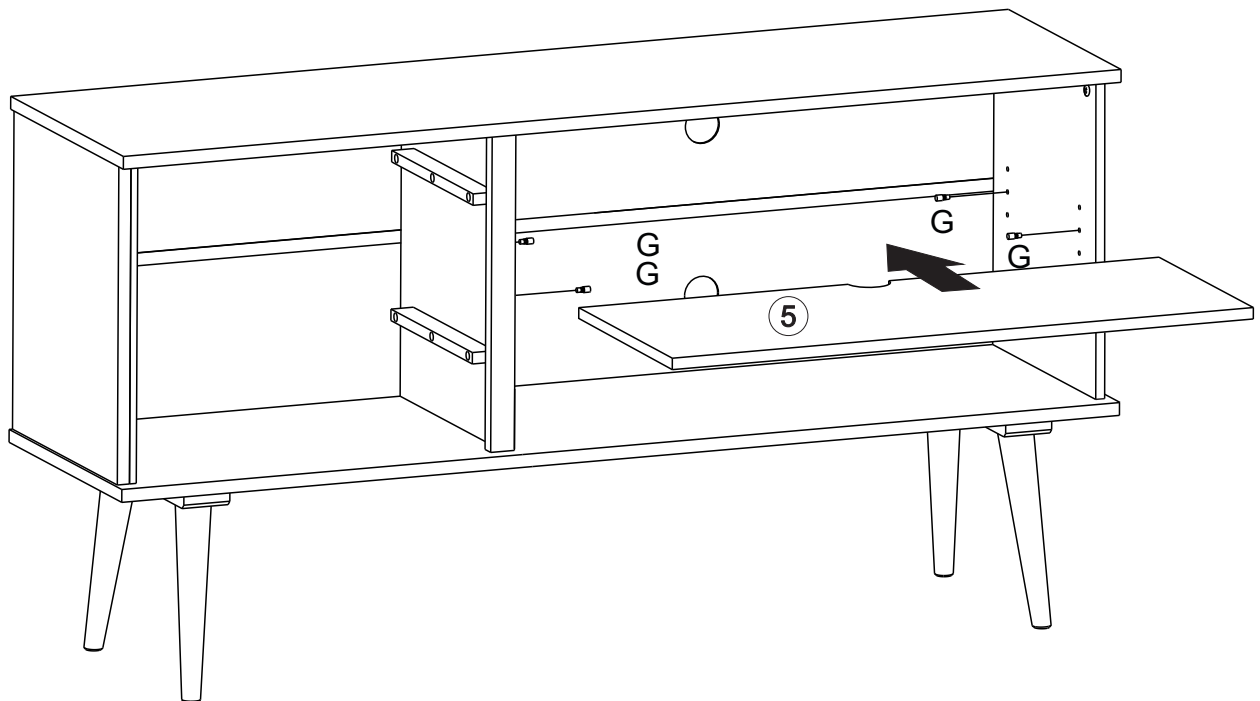
# Step 8

Insert suport (G) to part (3) and (4).

G



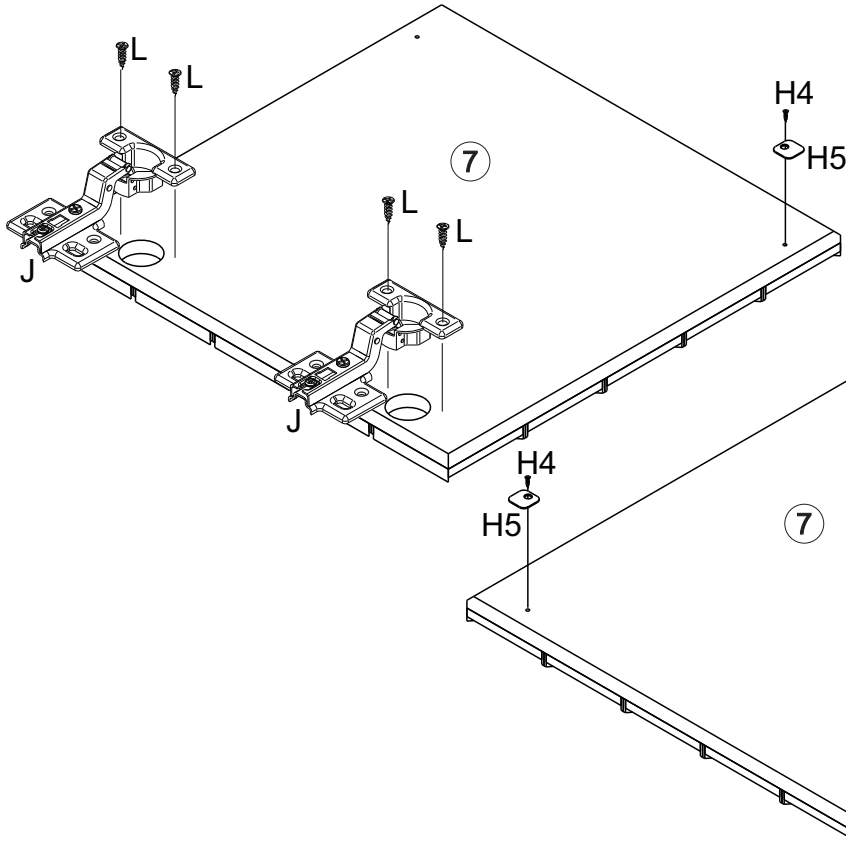
04





# Step 9

Attach hardware (J) and (J) to part (7)  
Right with screw (L). Attach hardware (K)  
and (K) to part (7) left with screw (L).

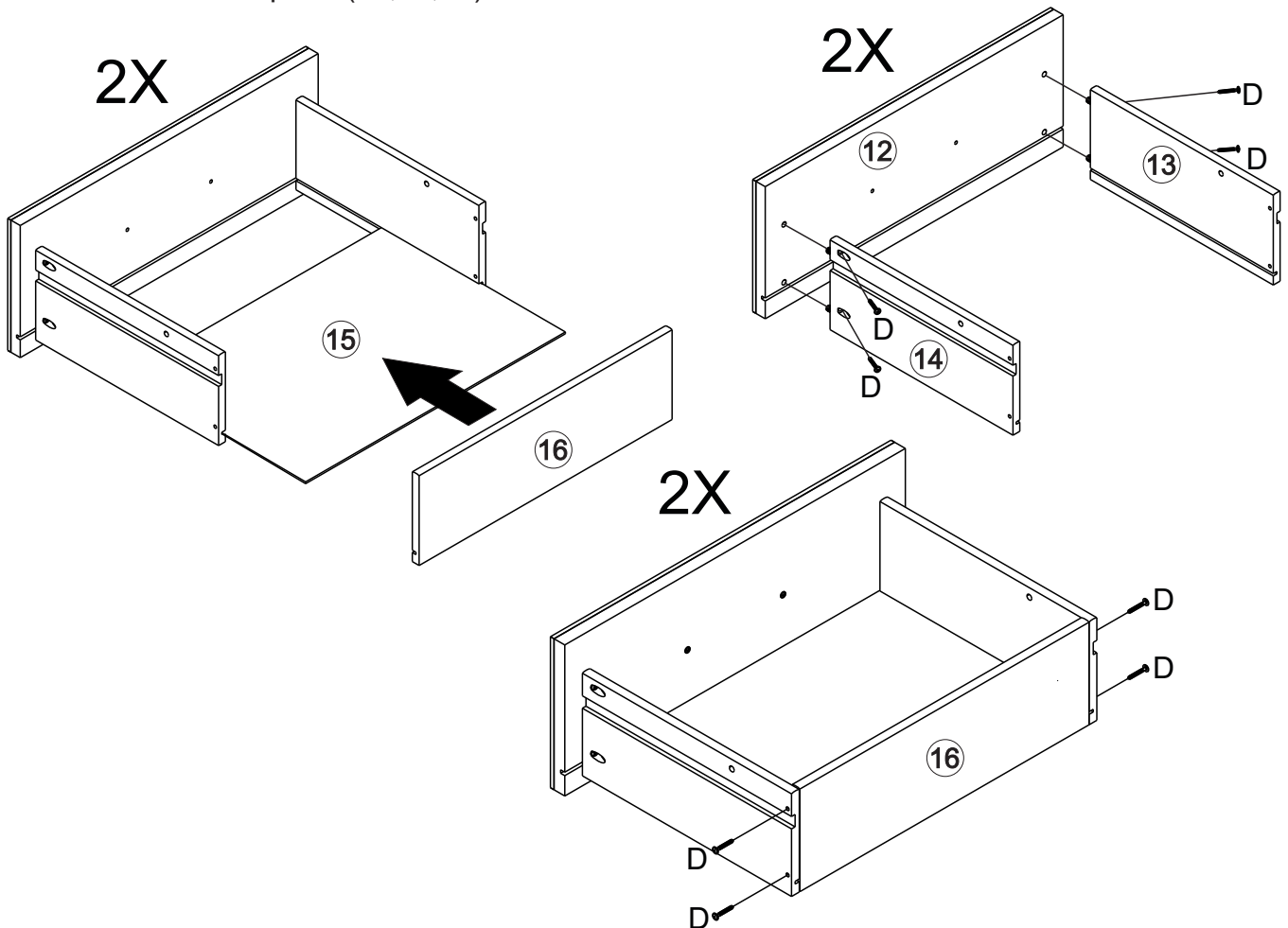


J		02
K		02
L		08
H5		02
H4		02

# Step 10

Attach parts (13,14) to part (12), insert  
panel (15) into grooves. Secure part (16)  
into parts (13,14,15) with screw D.

D		16
---	--	----



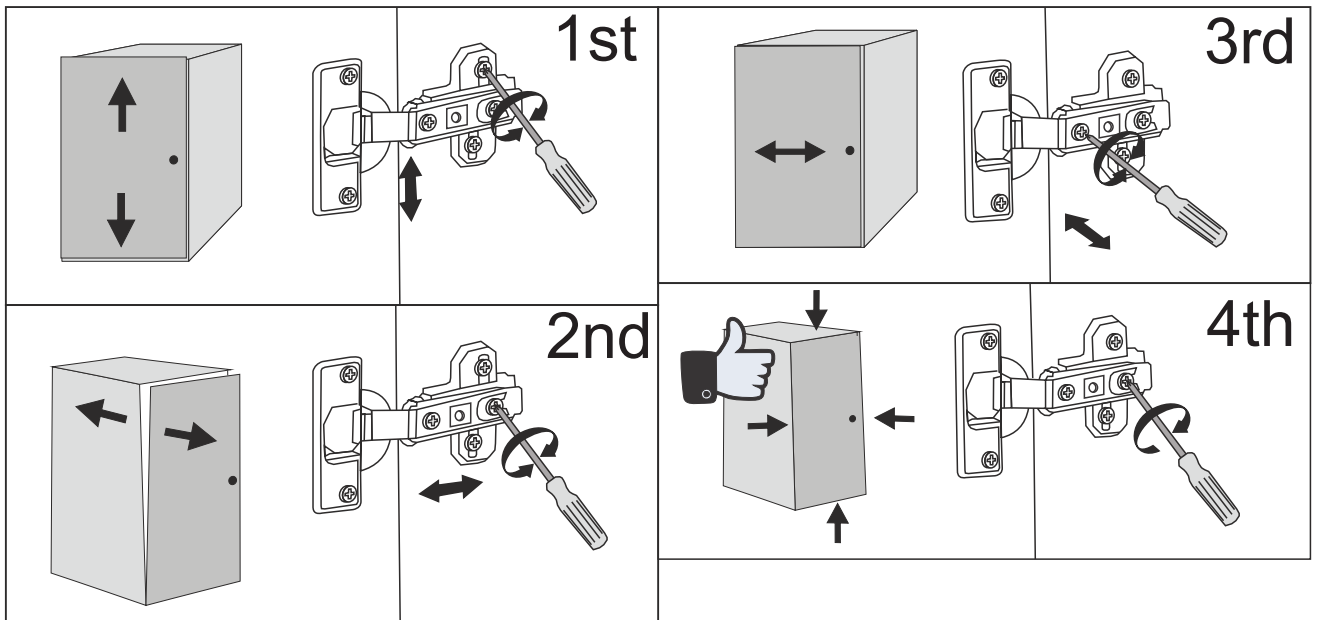
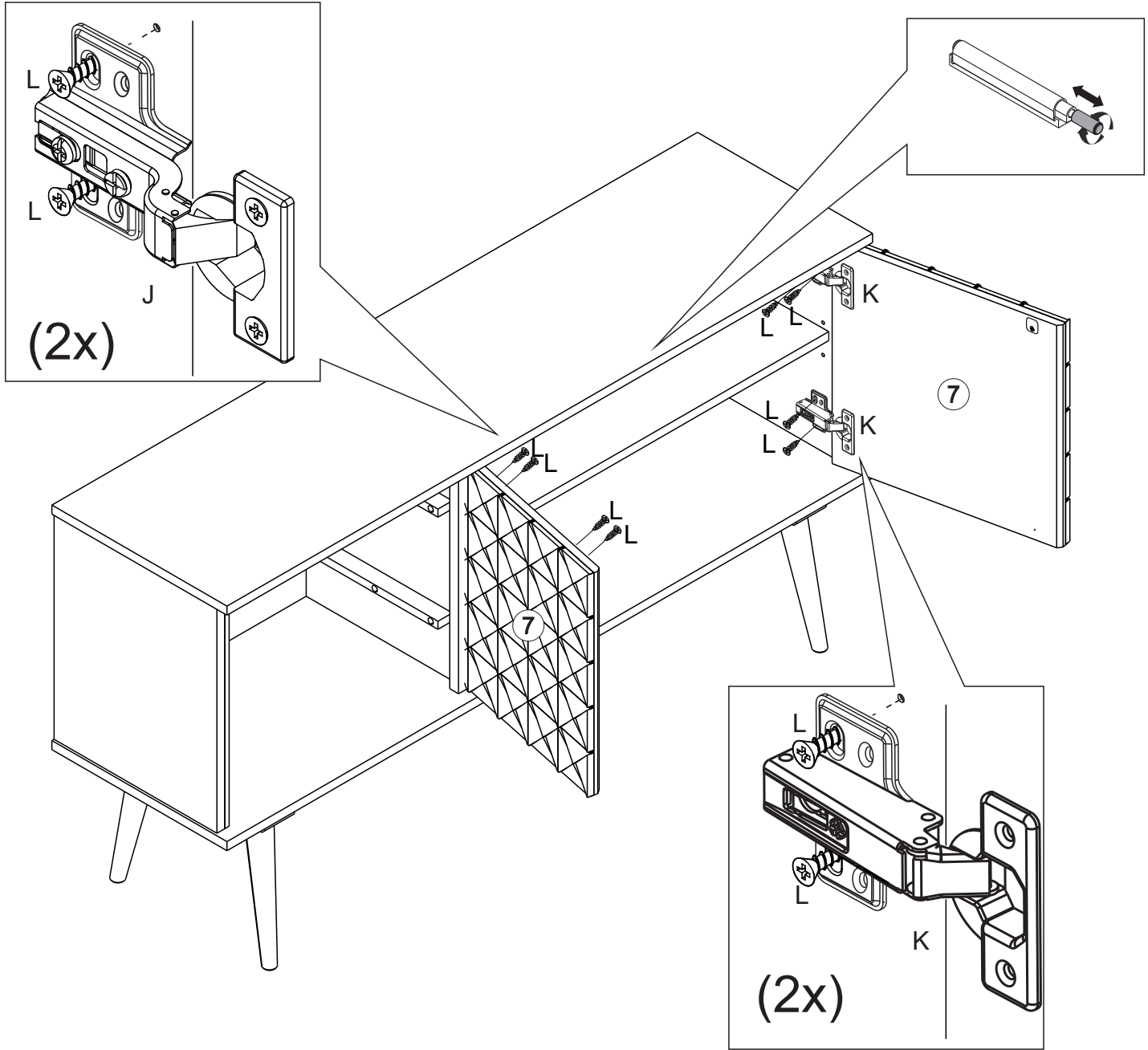
# Step 11

Secure doors (7) to body with screw (L).

L

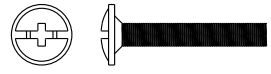
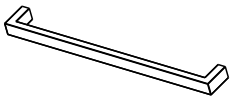


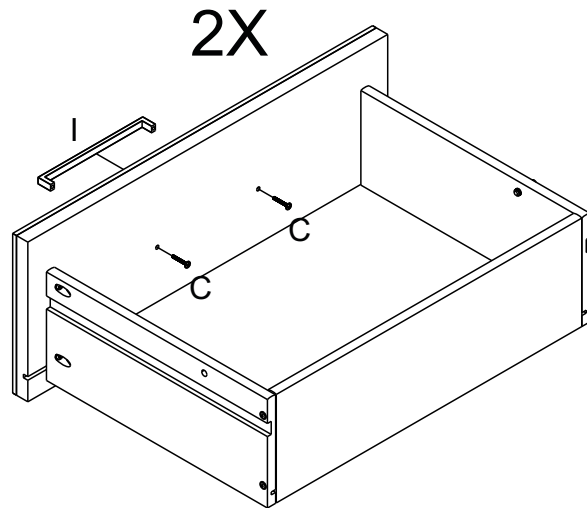
08



# Step 12


Insert knob (I) with screws (C).

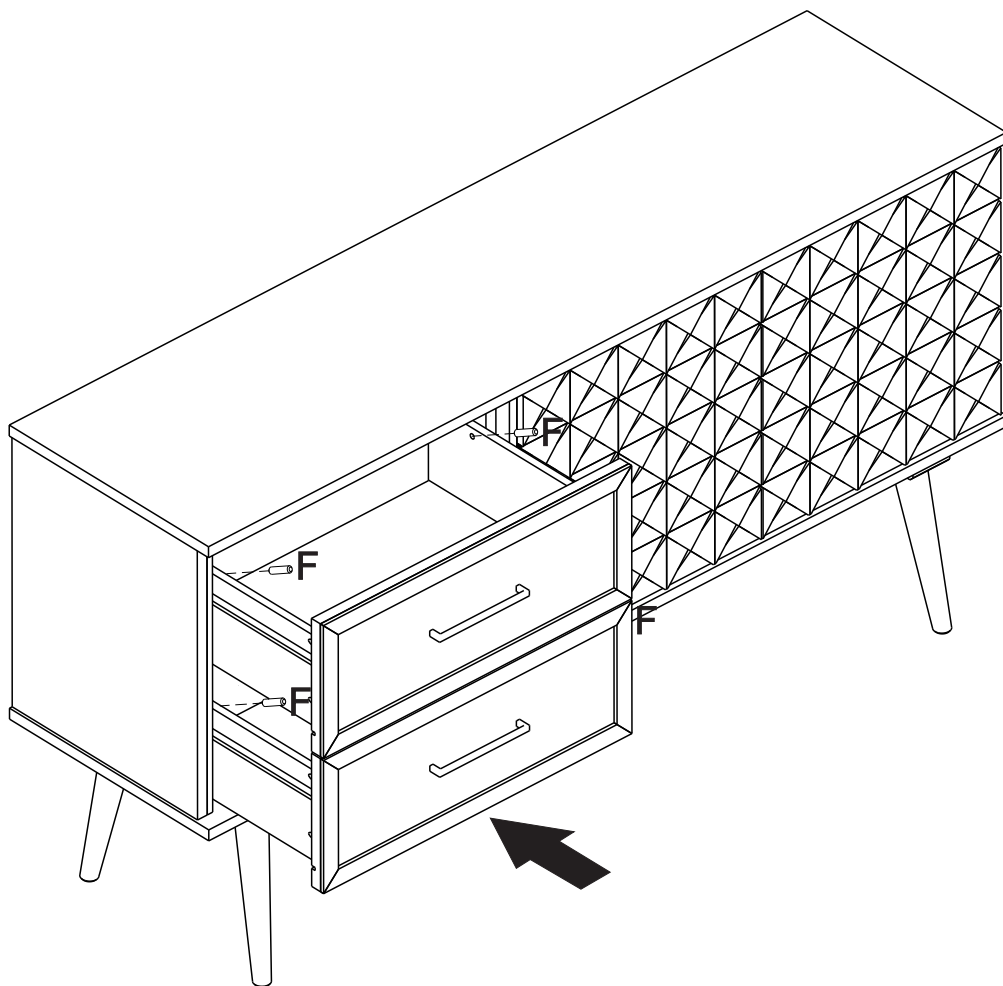
C		04
I		02



# Step 13

Insert wood dowel (F) right on left side drawer.

F		04
---	--	----

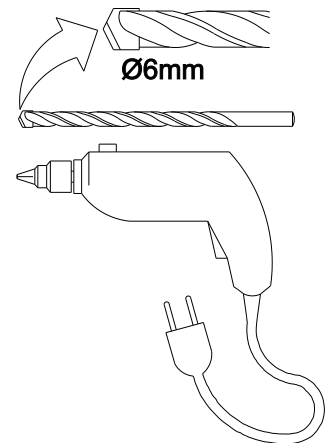
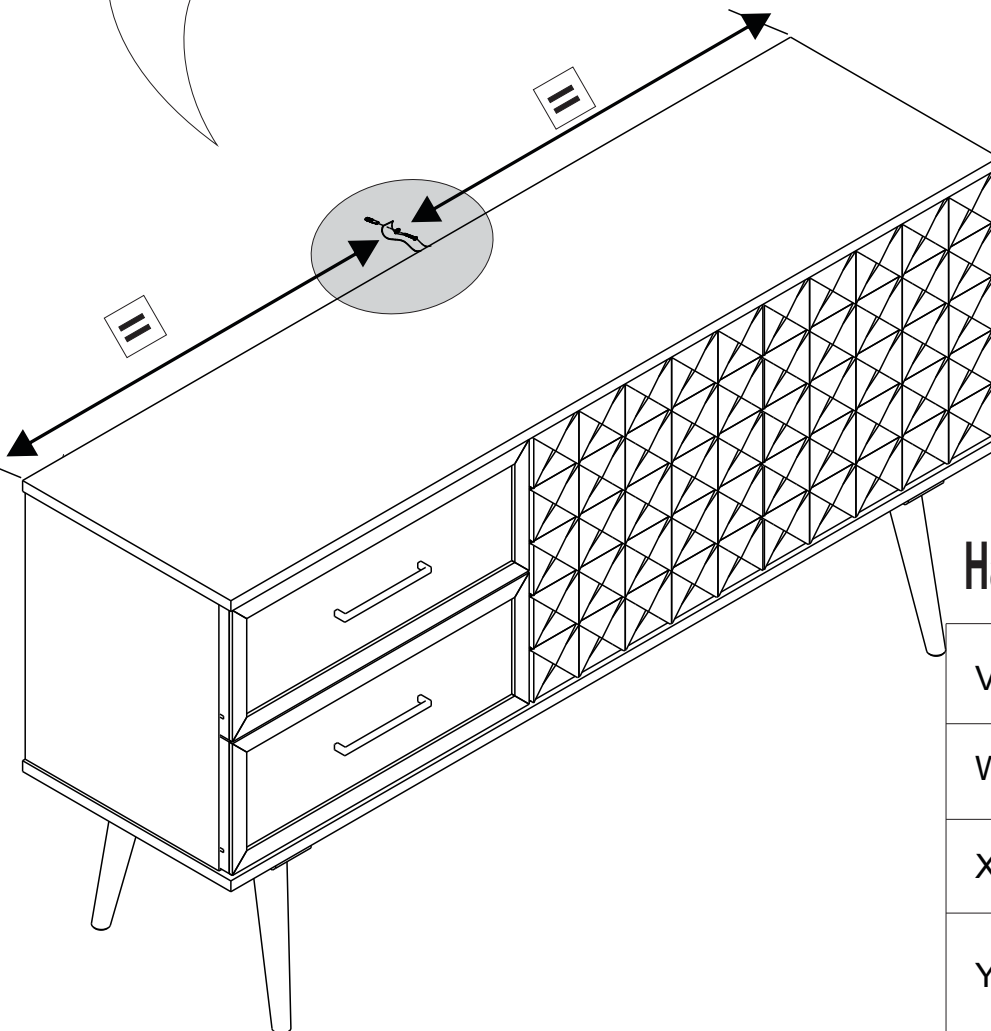
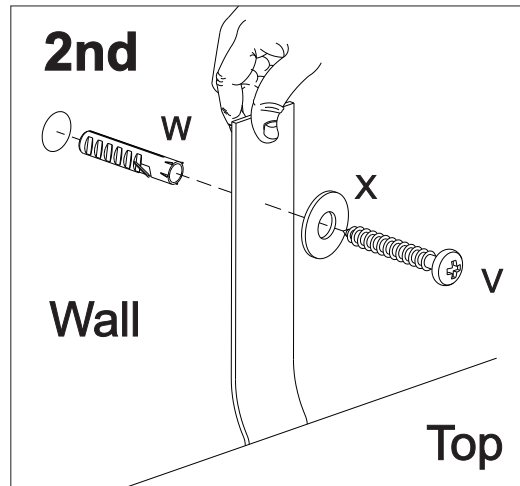
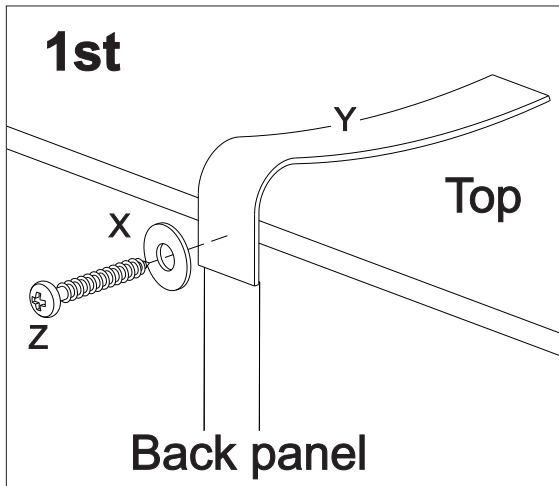


# Step 14

## WARNING

**Serious or fatal injuries can occur from furniture tipping over. To prevent the furniture from tipping over we recommend that it is permanently fixed to the wall.**

**Wall anchor and hardware are included with this product. Please make sure hardware is suitable for your walls before installing, as different wall materials may require different types of anchors.**



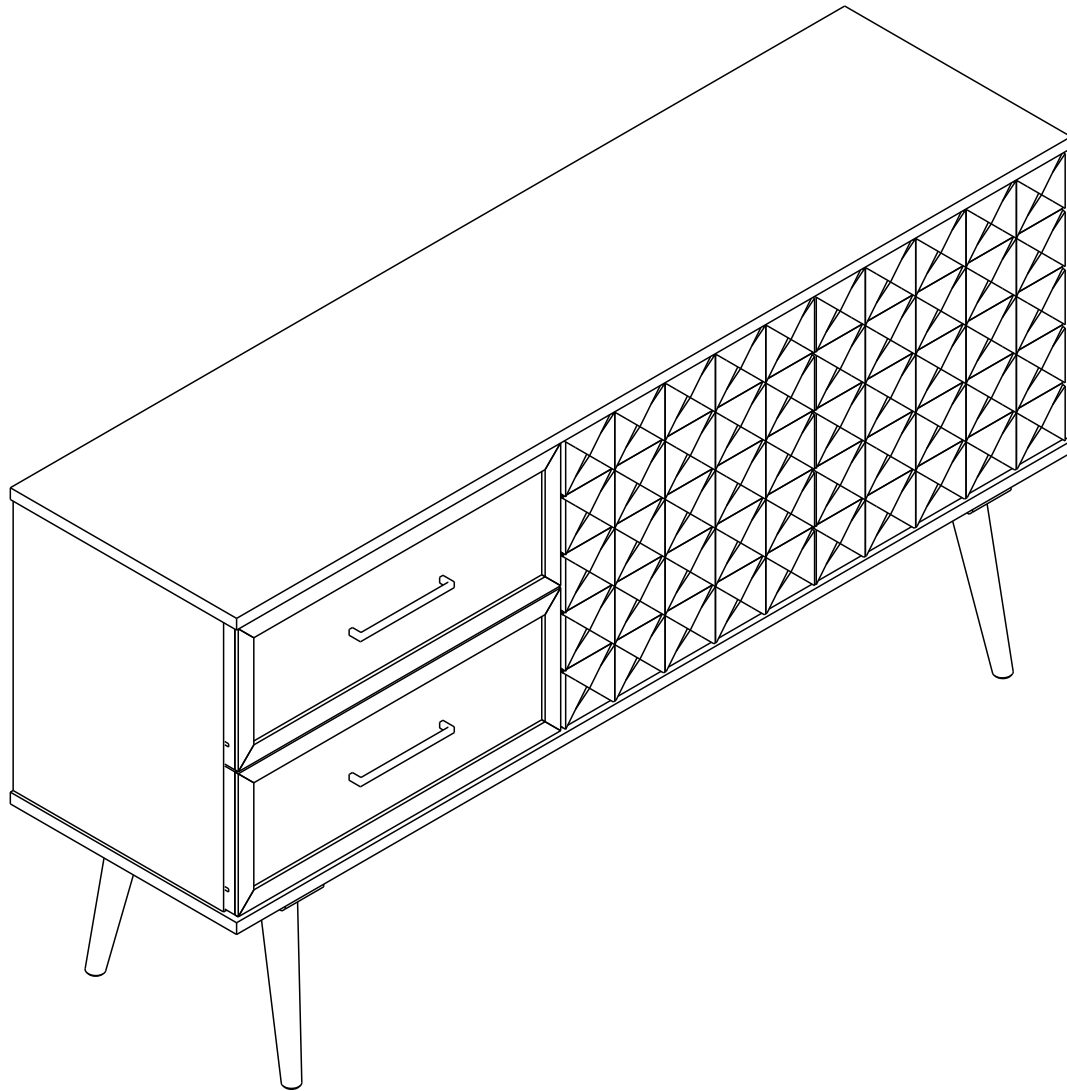
### Hardware of Wall Anchor

V		 Ø3,5*30mm	01
W		Ø6mm	01
X			02
Y			01
Z		Ø3,5*16mm	01

**WARNING: CHECK FOR HIDDEN PIPES AND CABLES BEFORE DRILLING.**

## Final Assembly

## Step 15



## Assembly Complete!

### Maintenance Guide

To maintain long term performance and easy gliding of your solid wood drawers, we recommend applying wax to the wooden guide rails.

1. Bee's wax is recommended or Paraffin wax from a standard candle can be used.
2. Apply the wax by rubbing it on the wooden guide rails where there is wood-on-wood contact when opening and closing the drawer. (Wax should be room temperature, do not melt the wax onto the wood).
3. Wax should be applied every few months for the first year and then only when needed after that to keep the drawers sliding smoothly.