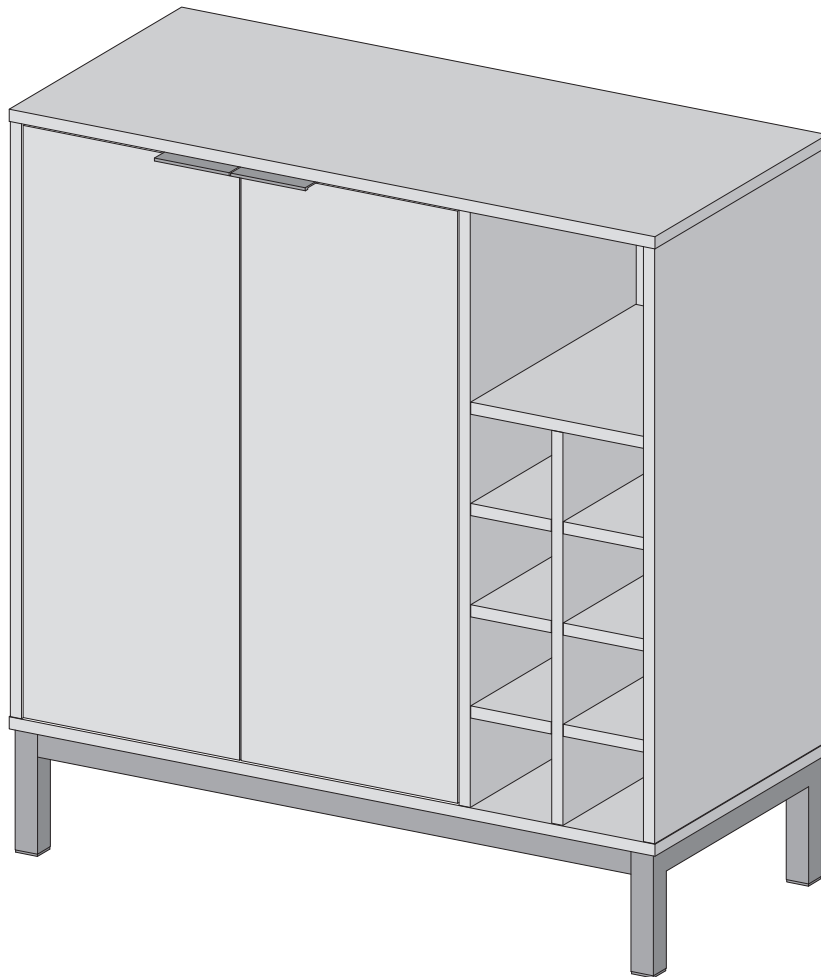


**W** Walker<sup>®</sup>  
Edison  
furniture company

Item # : BU34COBC  
Assembly Instructions

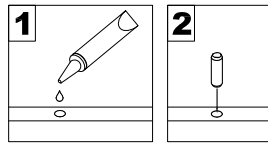


*Please visit our website for the most current instructions, assembly tips, report damage, or request parts. [www.walkeredison.com](http://www.walkeredison.com)*

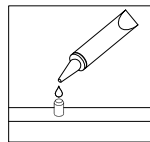
Revised 07/2017

# General Assembly Guidelines

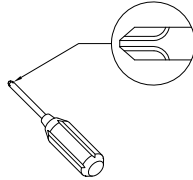
- I. Ensure that all parts and hardware are available before beginning assembly.
- II. Follow each step carefully to ensure the proper assembly of this product.
- III. Two people are recommended for ease in the assembly of this product.
- IV. The three main types of hardware used to assemble this product are : wood dowels , screws and bolts.
- V. The provided glue is to secure wood dowels in place . When first inserting dowels , locate the appropriate hole for the dowel , place a small amount of glue in the hole and insert the dowel . Wipe away excess glue immediately.



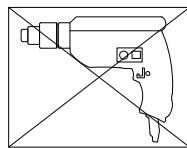
In future assembly steps when dowels are necessary to attach assembly parts together , place a small amount of glue on the end of the dowel before attaching parts together . Wipe away excess glue immediately.



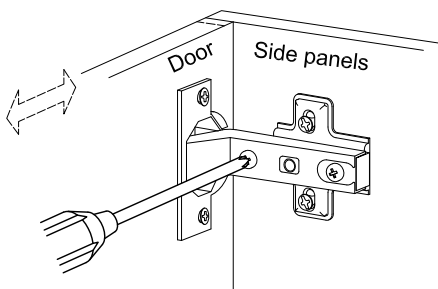
- VI. A Phillips head screwdriver is required for the assembly of this product .



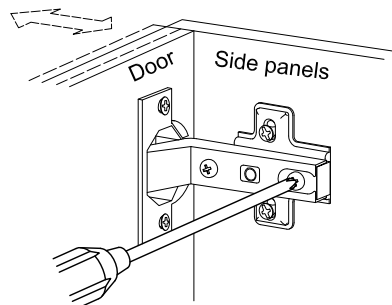
- VII. Power tools should not be used to assemble this product .



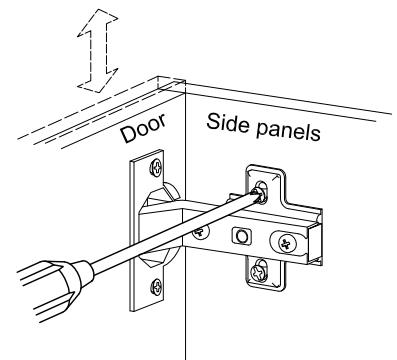
- VIII. Concealed hinges are three-way adjustable.



Horizontal  
by screw adjustment

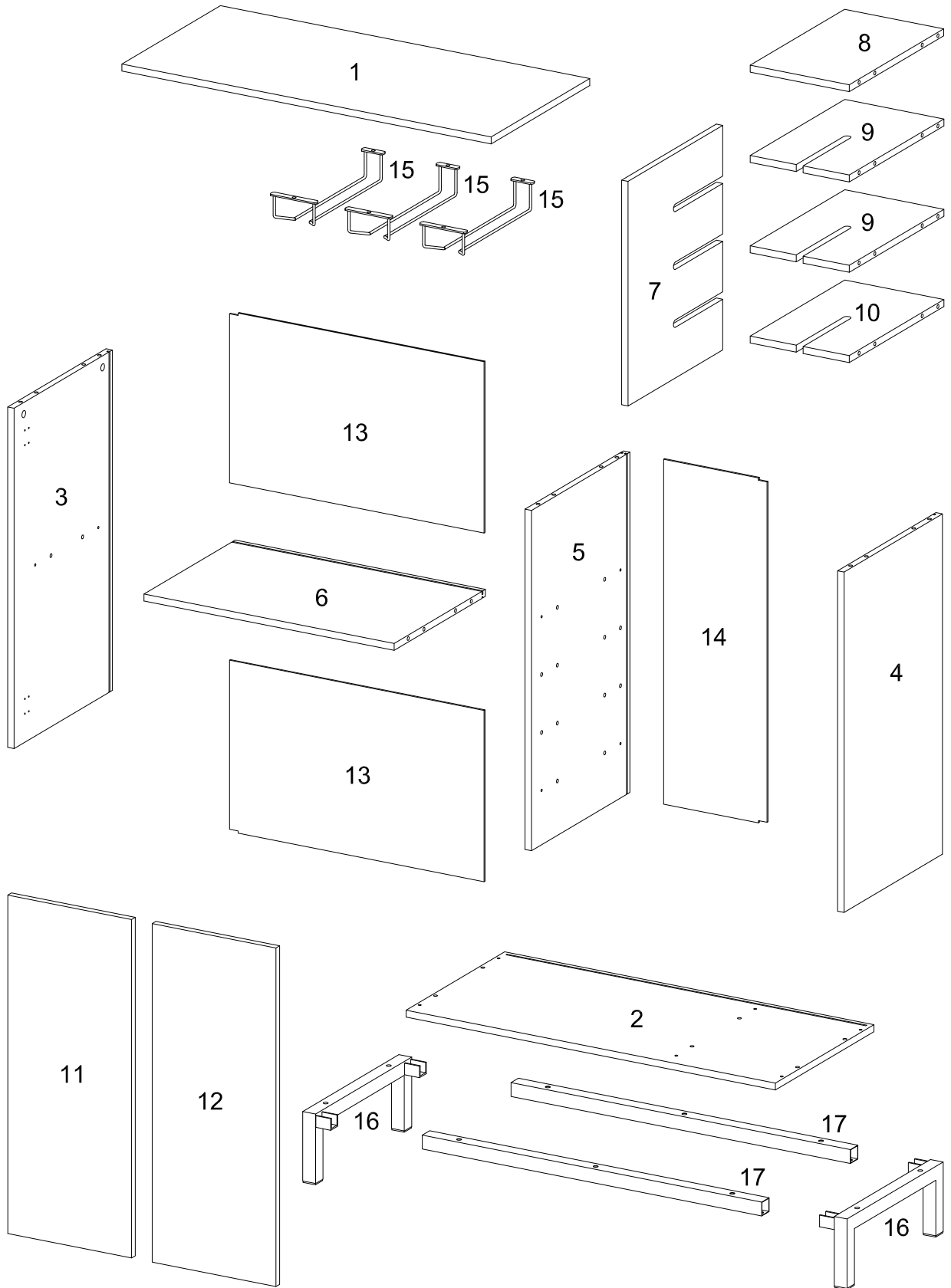


In-and-Out  
by loosening the hinge-arm  
mounting screw or via cam  
adjustment




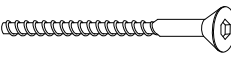
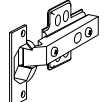
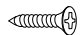

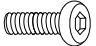










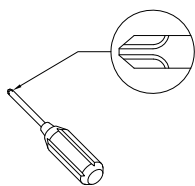
Vertical  
Via slots in the mounting  
plate or via cam adjustment

# Parts List



# Hardware List

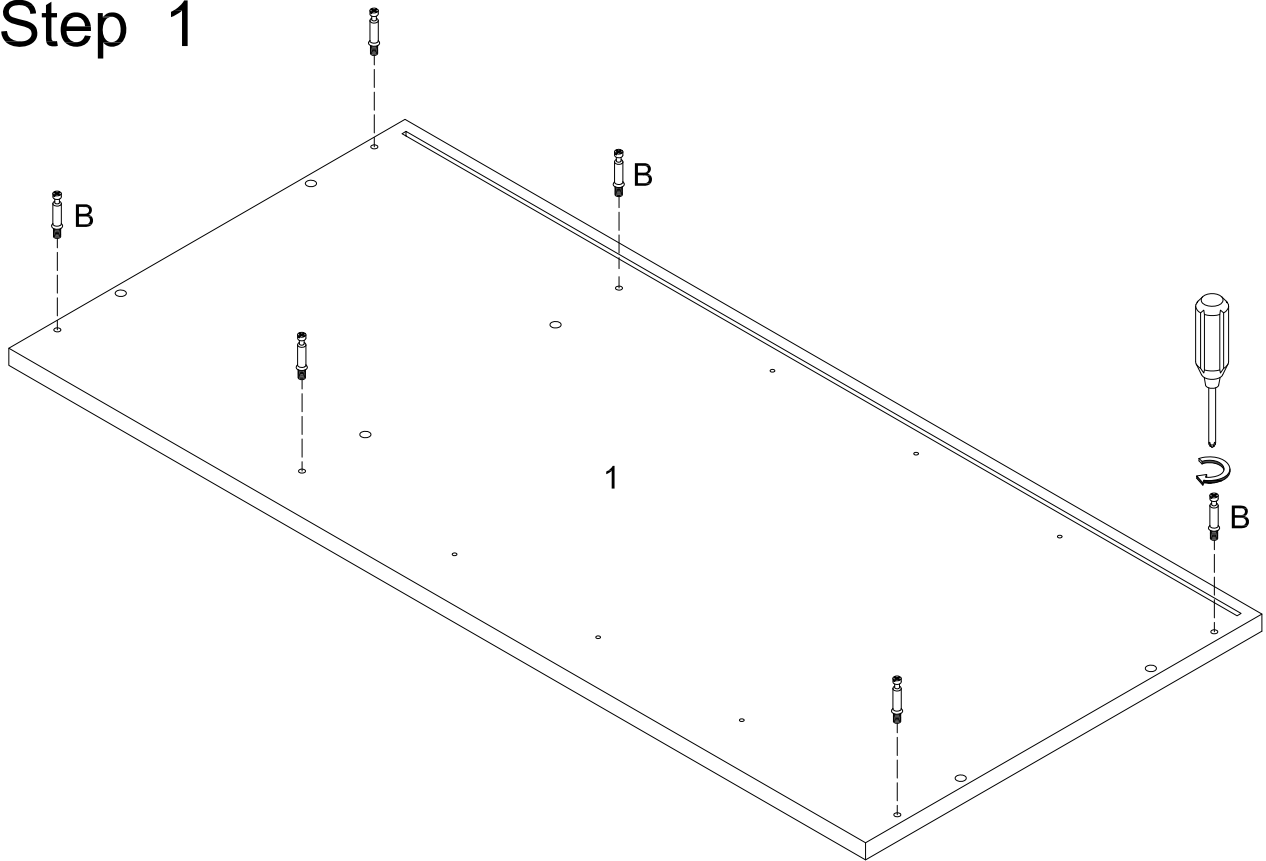
A		Ø8x30mm	Wooden dowel	40 pcs
B		Ø6x35mm	Cam bolt	18 pcs
C		Ø15x11mm	Cam lock	18 pcs
D		Ø6x50mm	Bolt	6 pcs
E			Hinge	4 pcs
F		Ø3.5x14mm	Screw	30 pcs
G		Ø6x40mm	Bolt	10 pcs
H		Ø6x12mm	Bolt	8 pcs
J		M6x16mm	Washer	18 pcs
K			Plastic wedges	14 pcs
L		Ø3x17mm	Screw	14 pcs
M			Handle	2 pcs
N		Ø3x12mm	Screw	4 pcs
P		Ø30mm	Sticker	18 pcs
Q		M4mm	Wrench	1 pc
R			Glue tube	2 pcs



Philips head screwdriver required for assembly  
(not included)

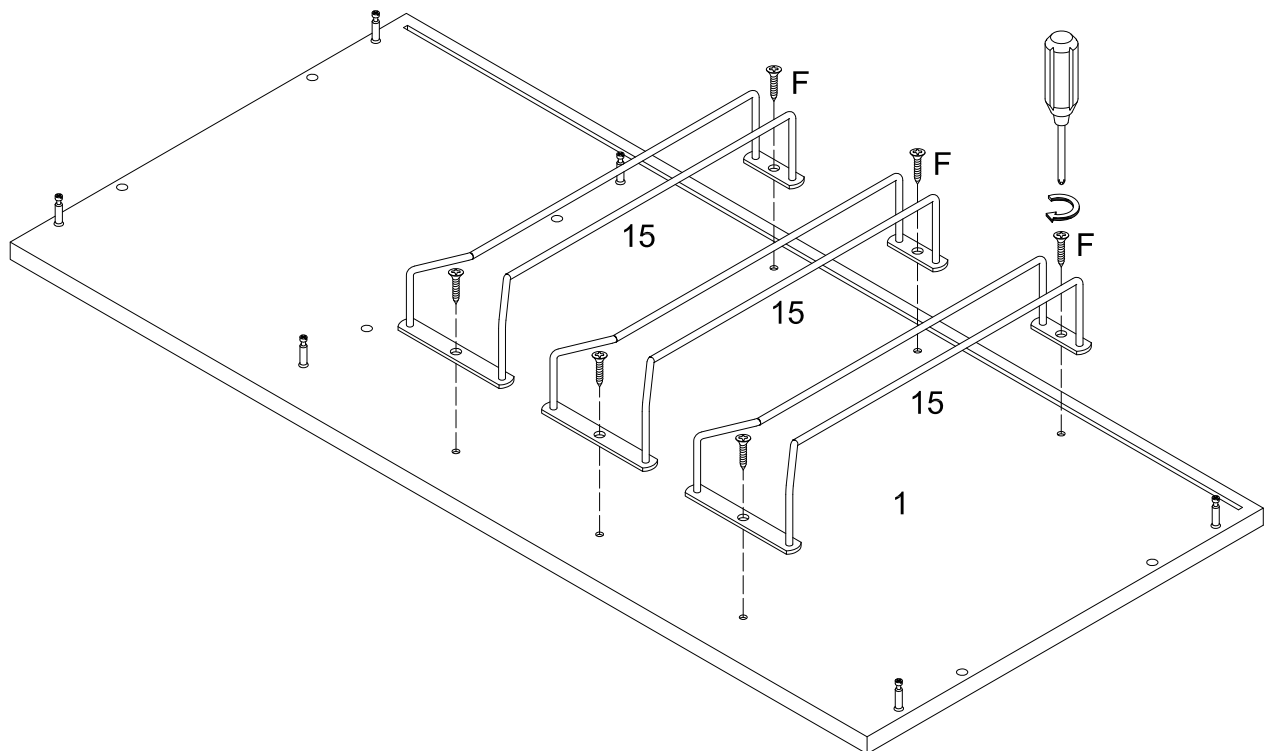
*The hardware quantities listed above are required for proper assembly.  
Some extra hardware may also have been included.*

# Step 1



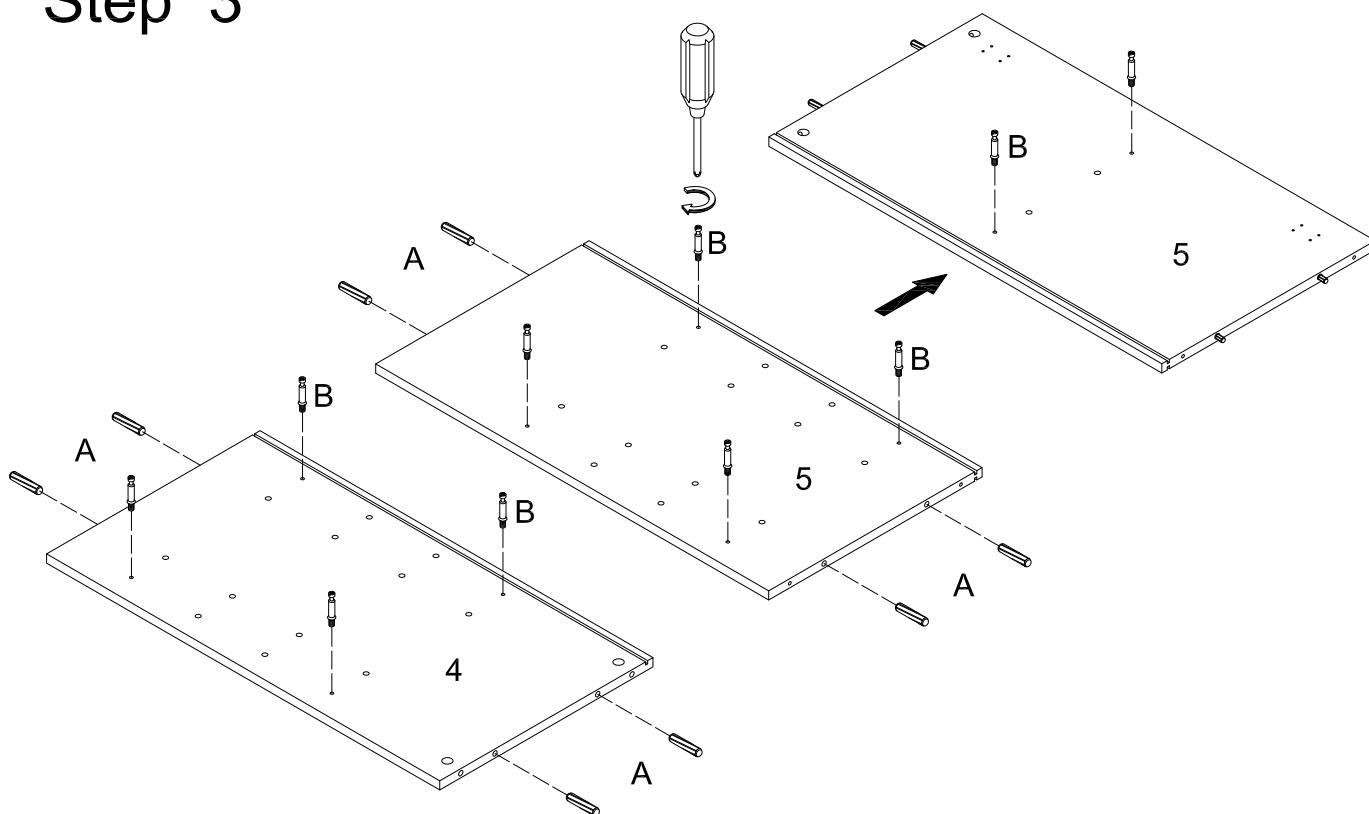
Secure cam bolt (B) to top panel (1).

# Step 2



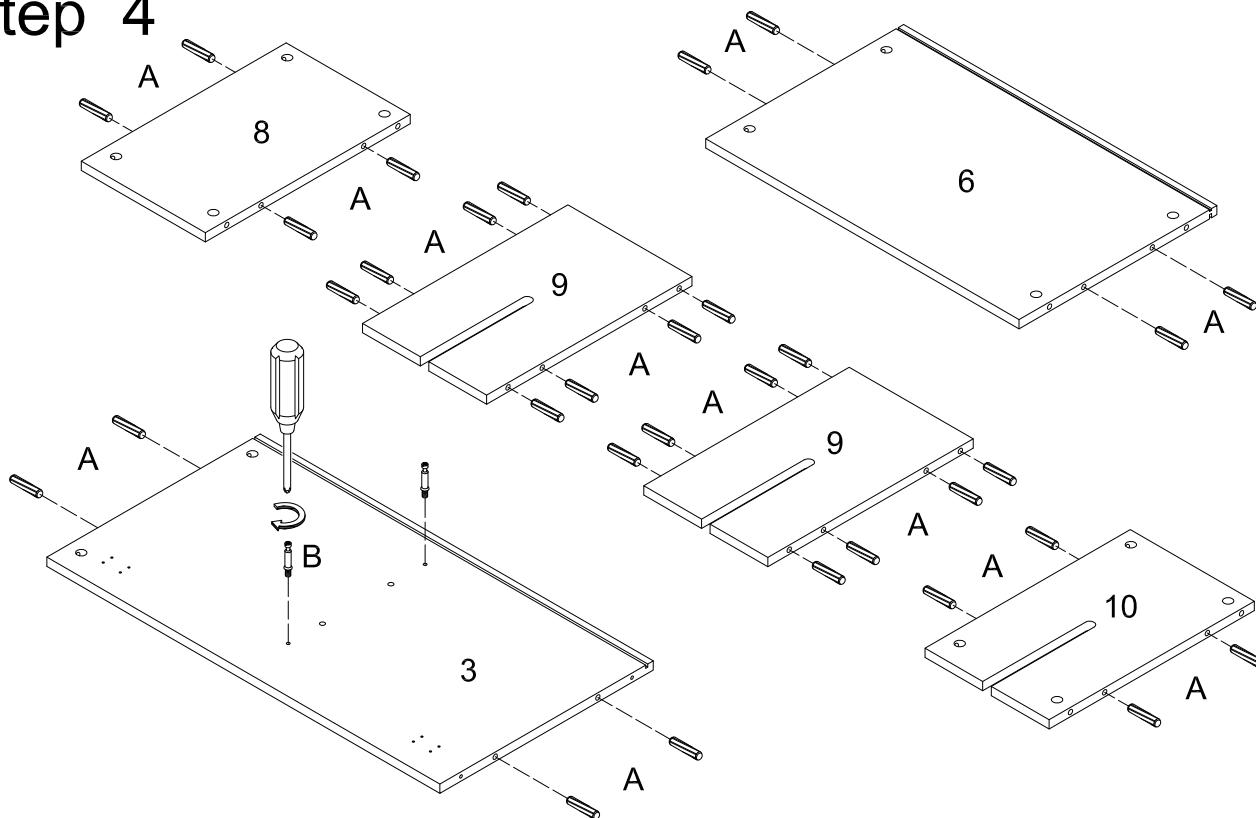
Secure wine glass rack (15) to top panel (1) with screw (F).

## Step 3



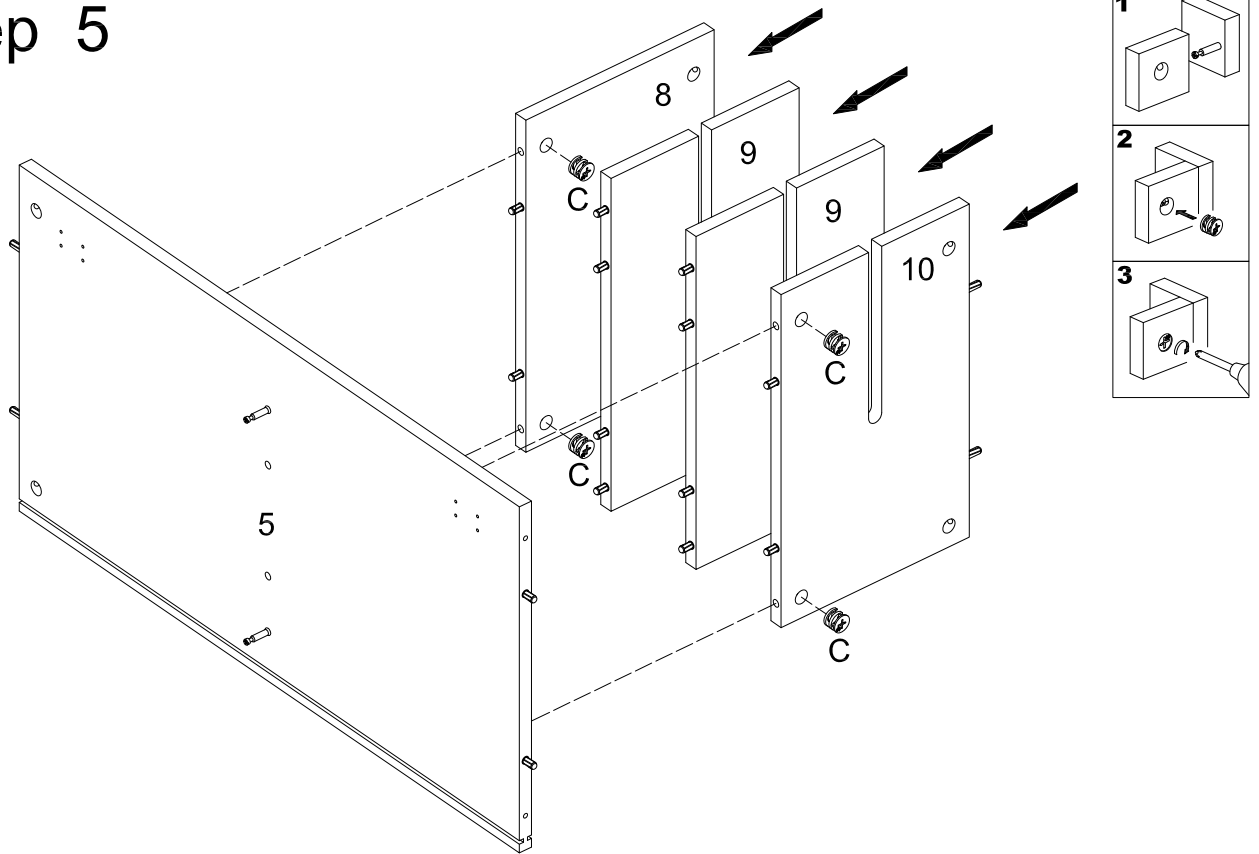
Insert wooden dowel (A) to side panel (4,5). Secure cam bolt (B) to side panel (4,5), then turn over side panel (5) and secure cam bolt (B) on it.

## Step 4



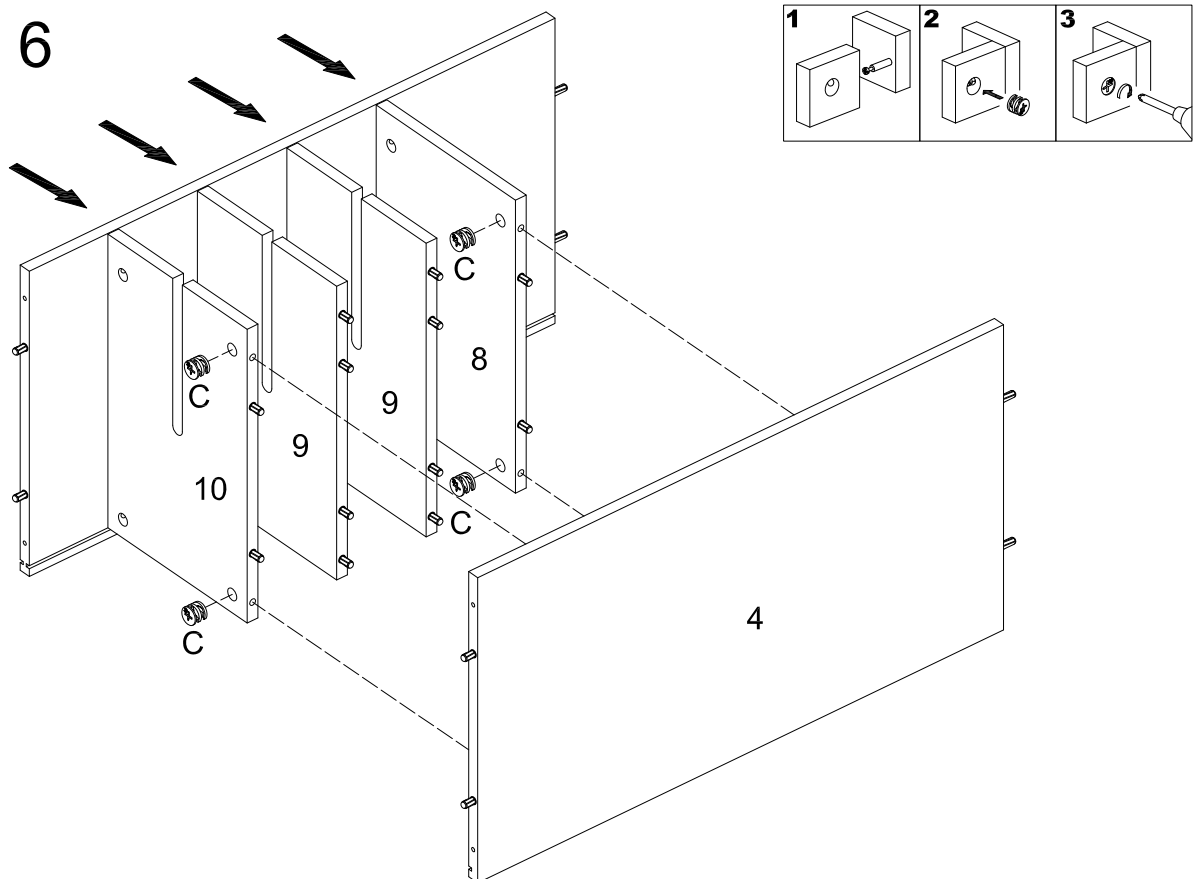
Insert wooden dowel (A) to side panel (3), shelf (6) and parts (8,9,10). Secure cam bolt (B) to side panel (3).

## Step 5



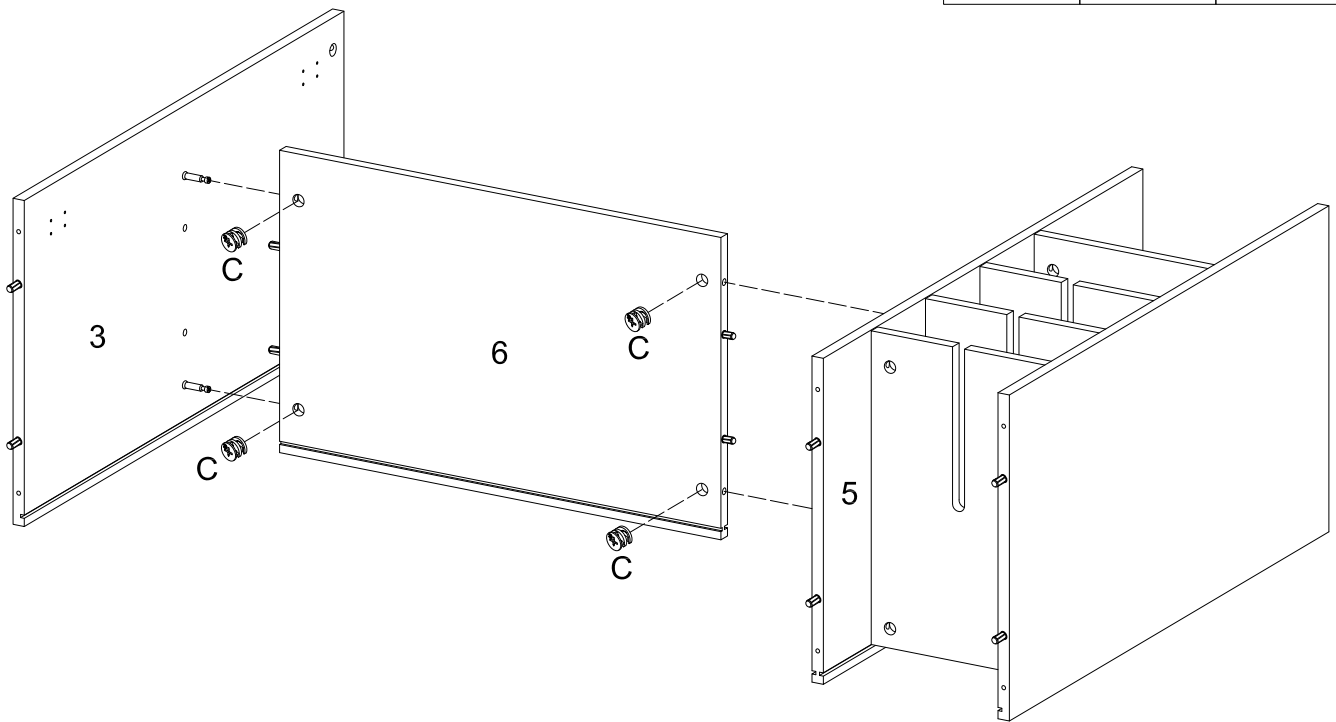
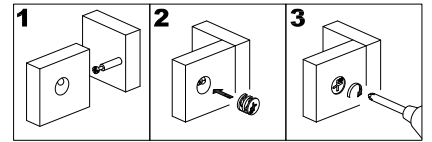
Insert parts (8,9,10) into side panel (5), then insert and secure cam lock (C) to parts (8,10) to lock it.

## Step 6



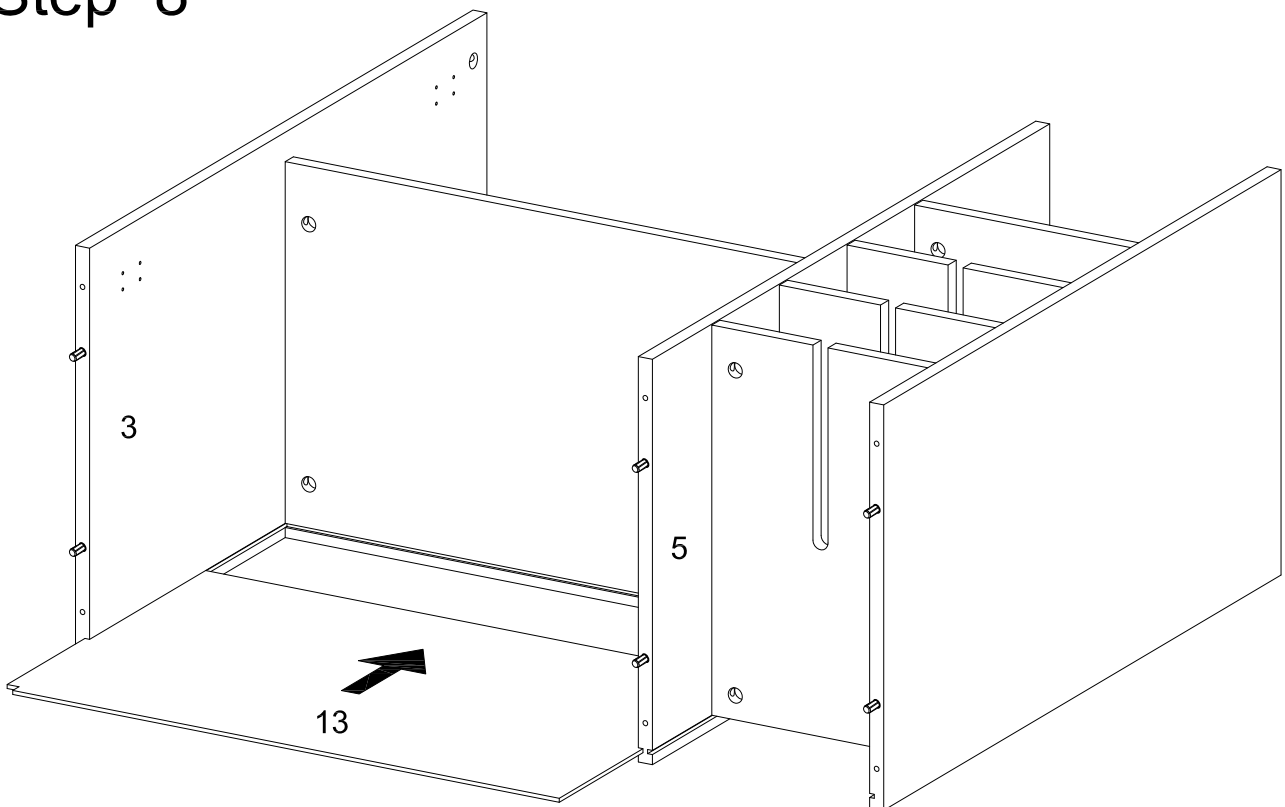
Insert parts (8,9,10) into side panel (4), then insert and secure cam lock (C) to parts (8,10) to lock it.

## Step 7



Insert shelf (6) into side panel (3,5), then insert and secure cam lock (C) to shelf (6) to lock it.

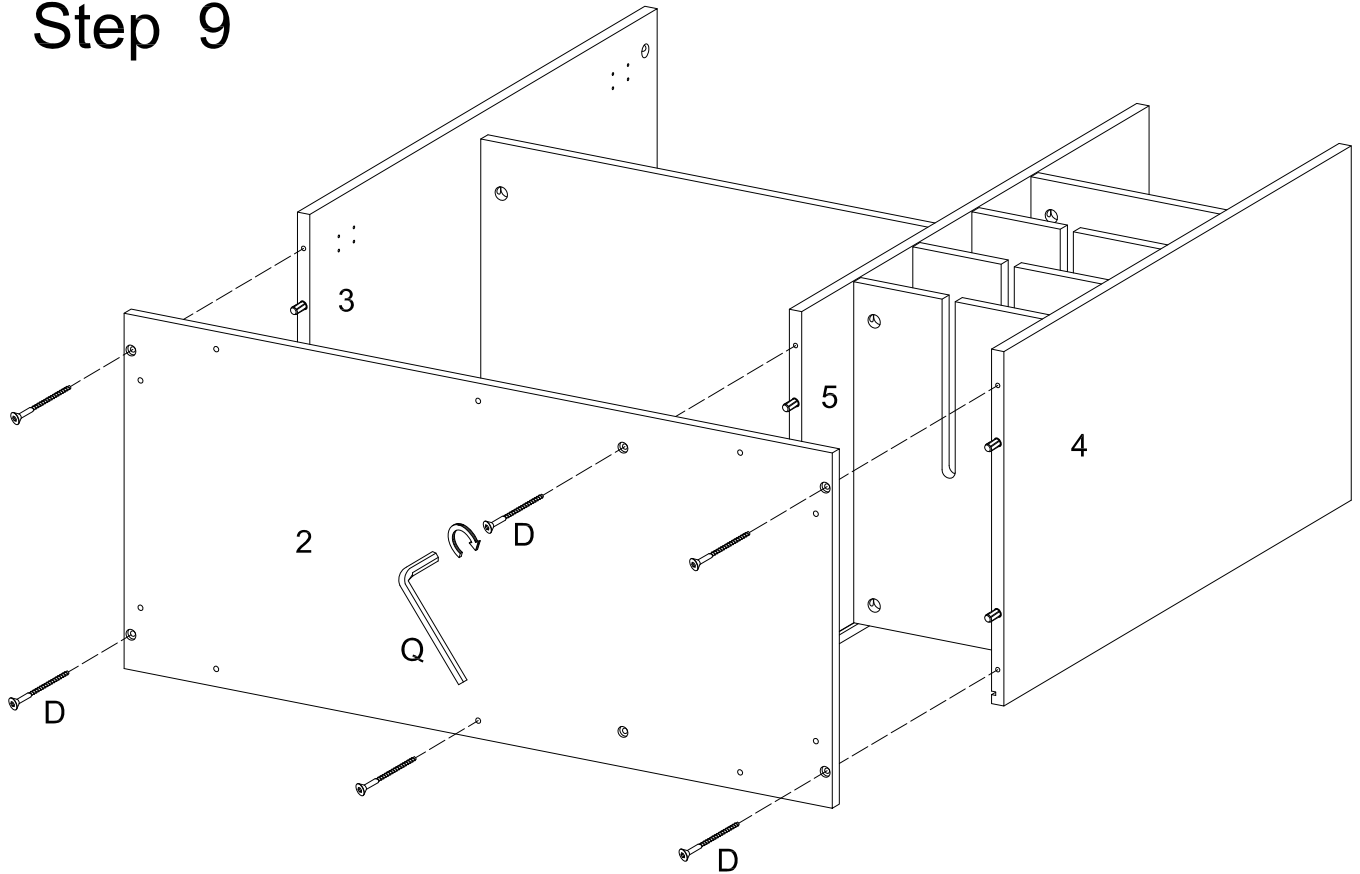
## Step 8



Insert back panel (13) through side panel (3,5).

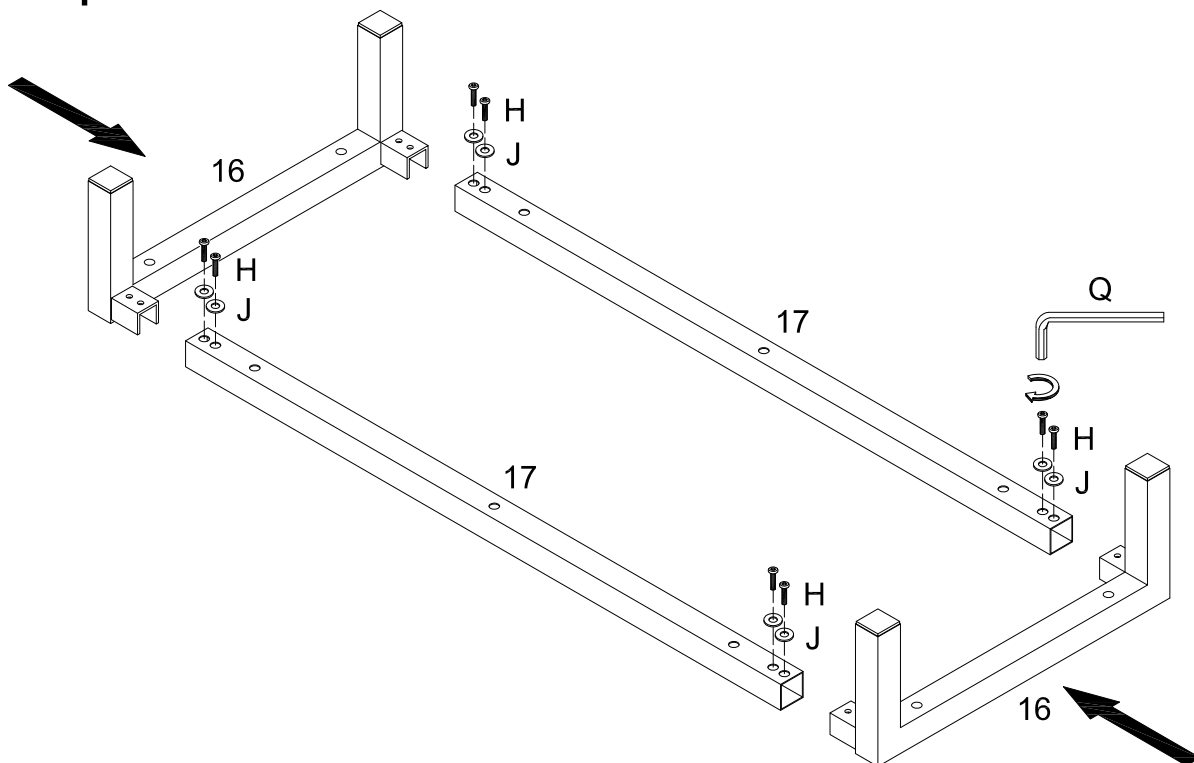


## Step 9



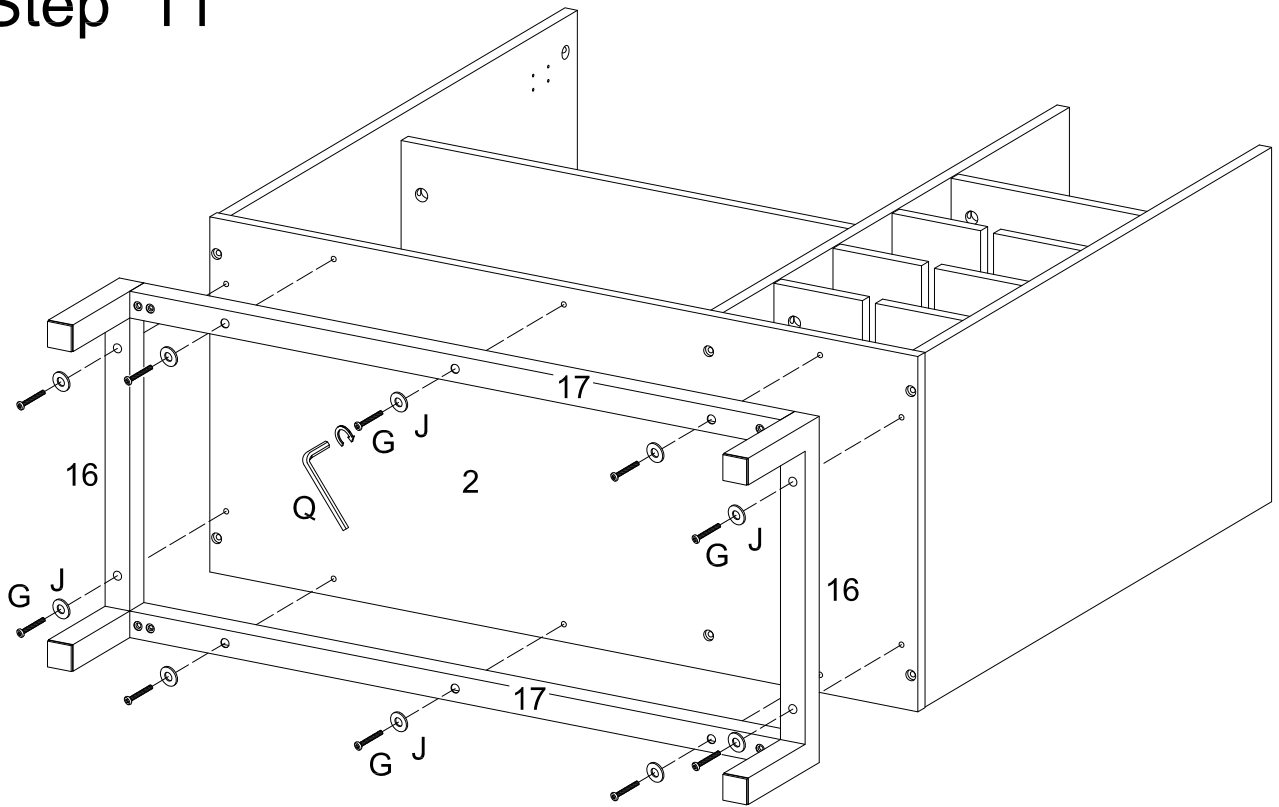
Use wrench (Q) to secure bottom panel (2) to side panel (3,4,5) with bolt (D).

## Step 10



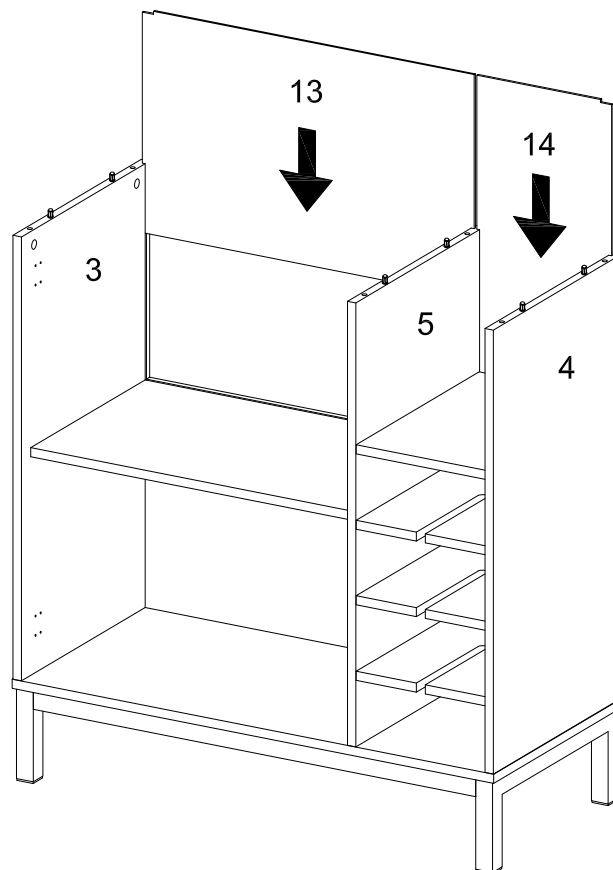
Insert parts (17) to leg (16), then use wrench (Q) to secure it with bolt (H) and washer (J).

## Step 11



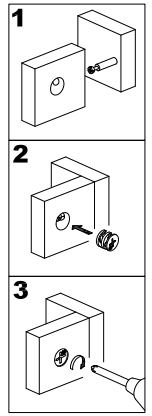
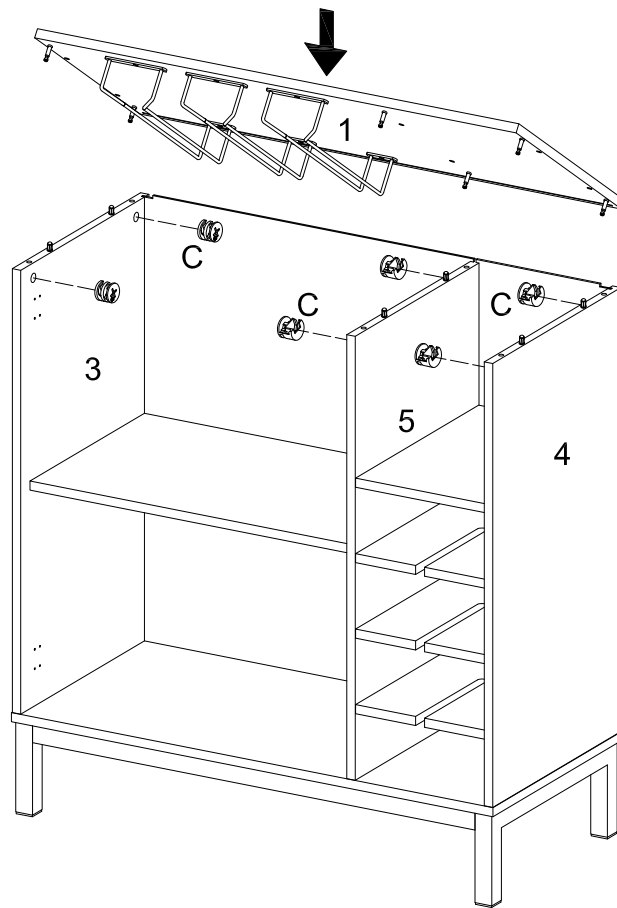
Use wrench (Q) to secure parts (17) and leg (16) to bottom panel (2) with bolt (G) and washer (J).

## Step 12



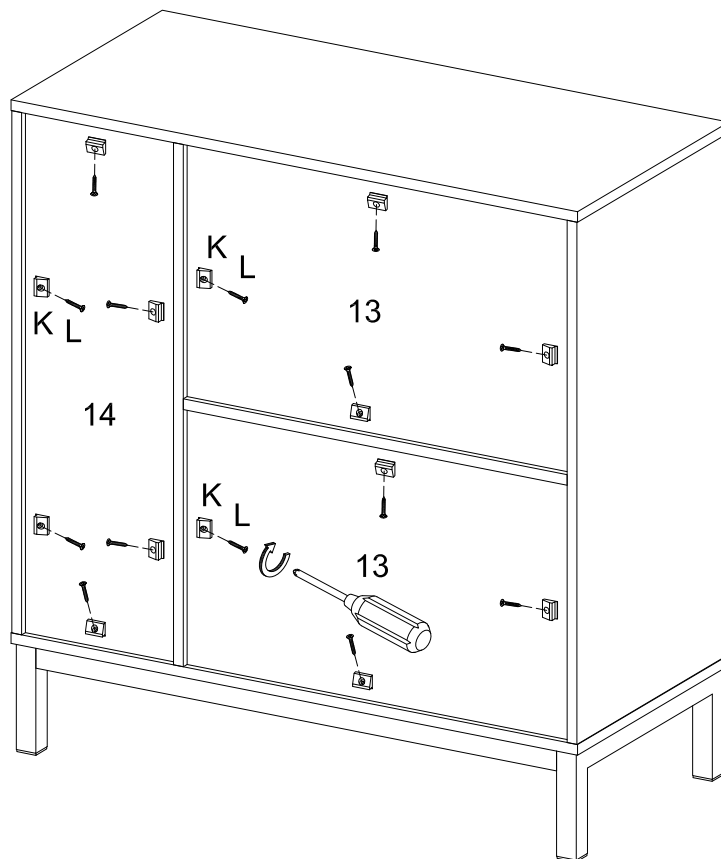
Insert back panel (13,14) through side panel (3,4,5).

## Step 13



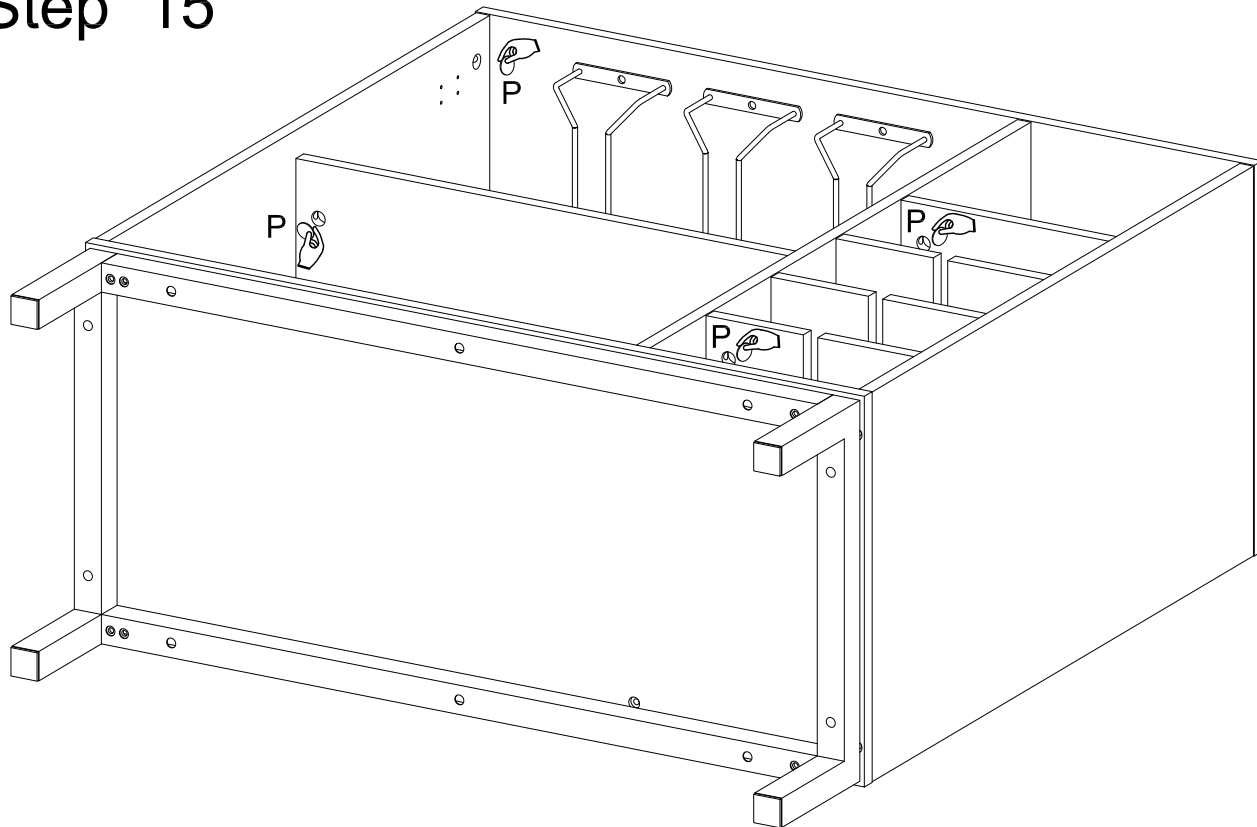
Insert top panel (1) into side panel (3,4,5), then insert and secure cam lock (C) to side panel (3,4,5) to lock it.

## Step 14



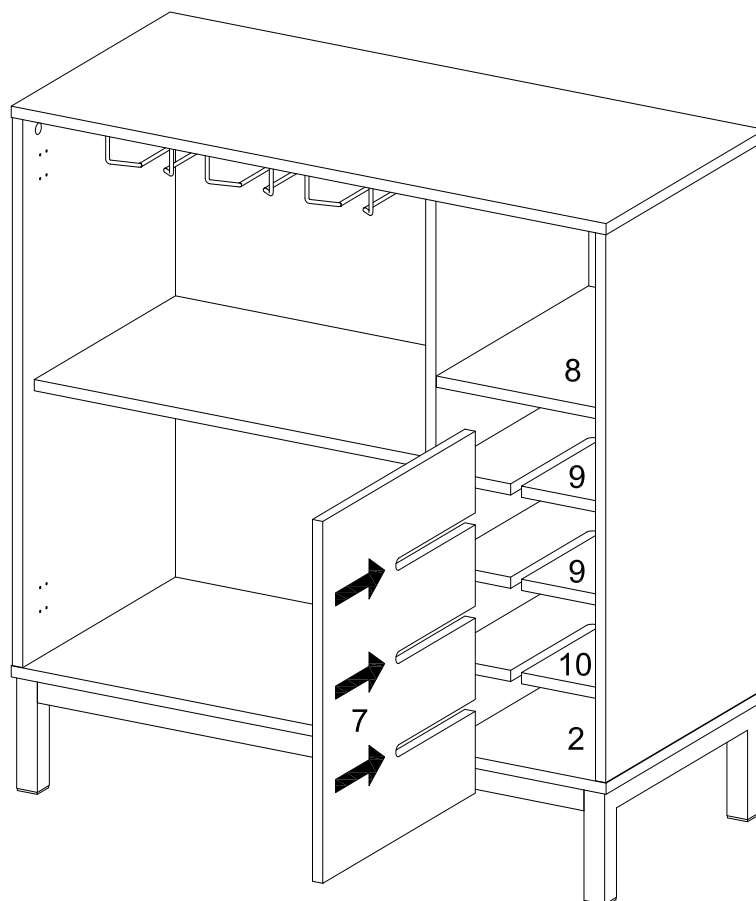
Secure plastic wedges (K) to back panel (13,14) with screw (L).

## Step 15



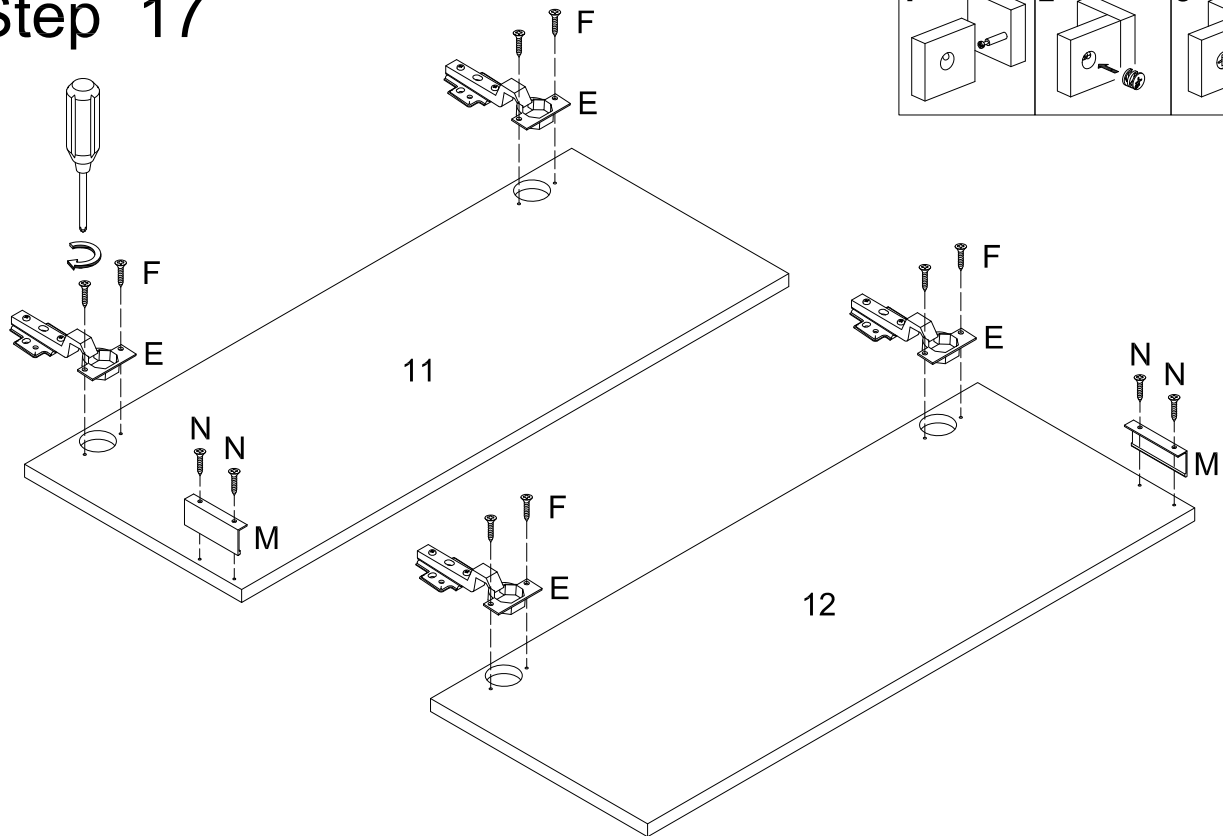
Place sticker (P) over holes as per diagram.

## Step 16



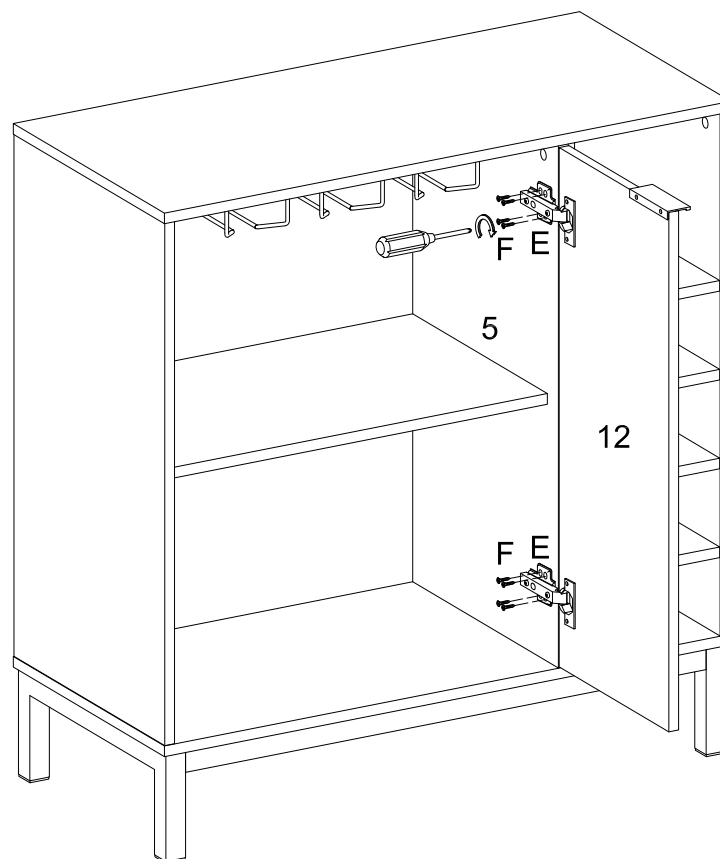
Insert part (7) as per diagram.

## Step 17



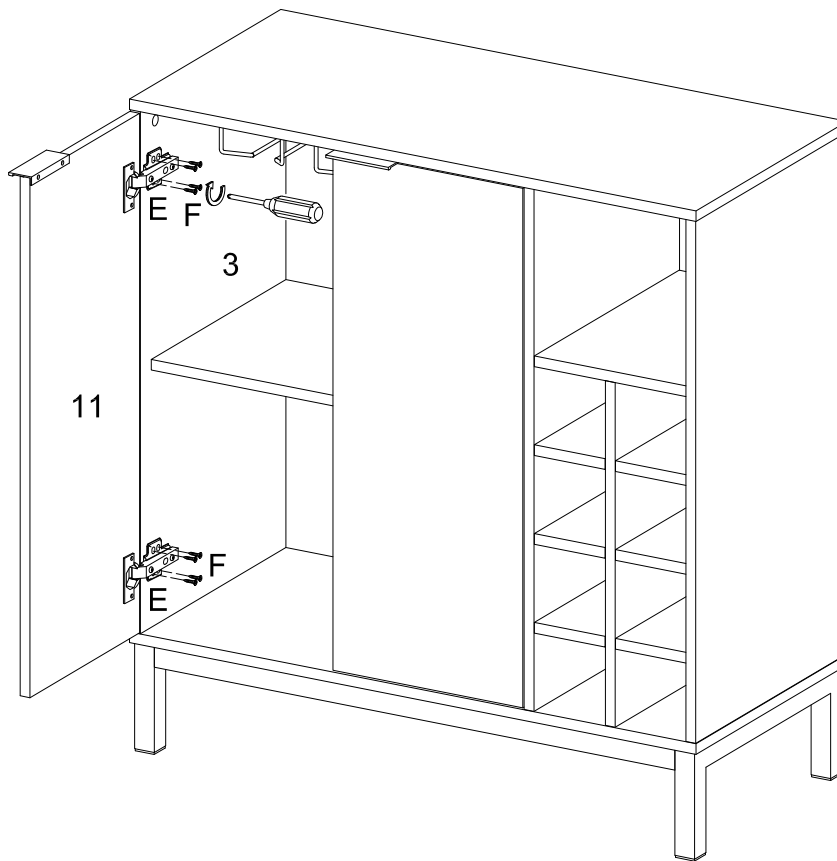
Secure hinge (E) to door (11,12) with screw (F), and secure handle (M) to door (11,12) with screw (N).

## Step 18



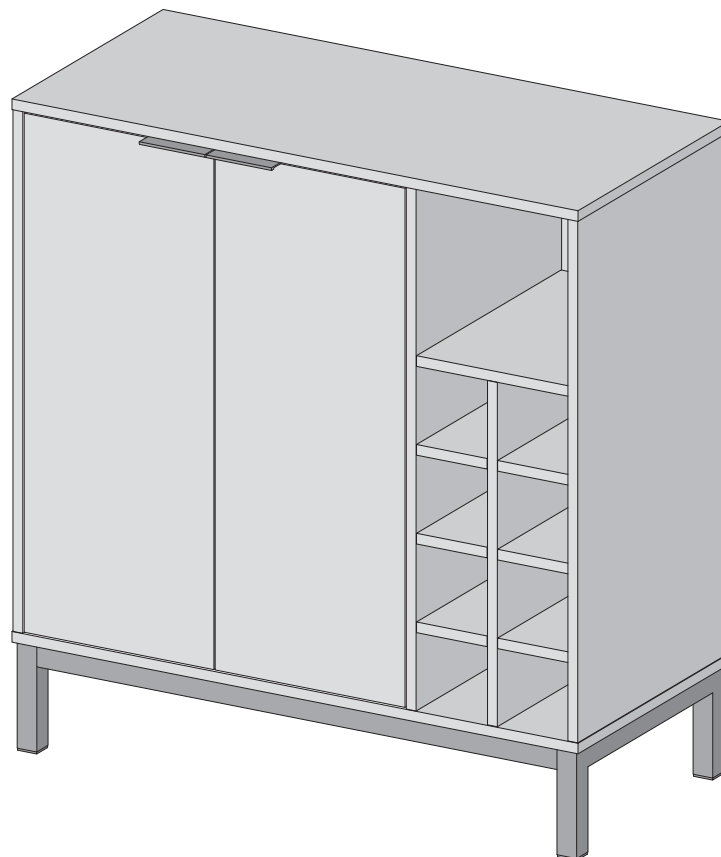
Hold the door (12) and secure hinge (E) to side panel (5) with screw (F).

## Step 19



Hold the door (11) and secure hinge (E) to side panel (3) with screw (F).

## Step 20



**Final Assembly**