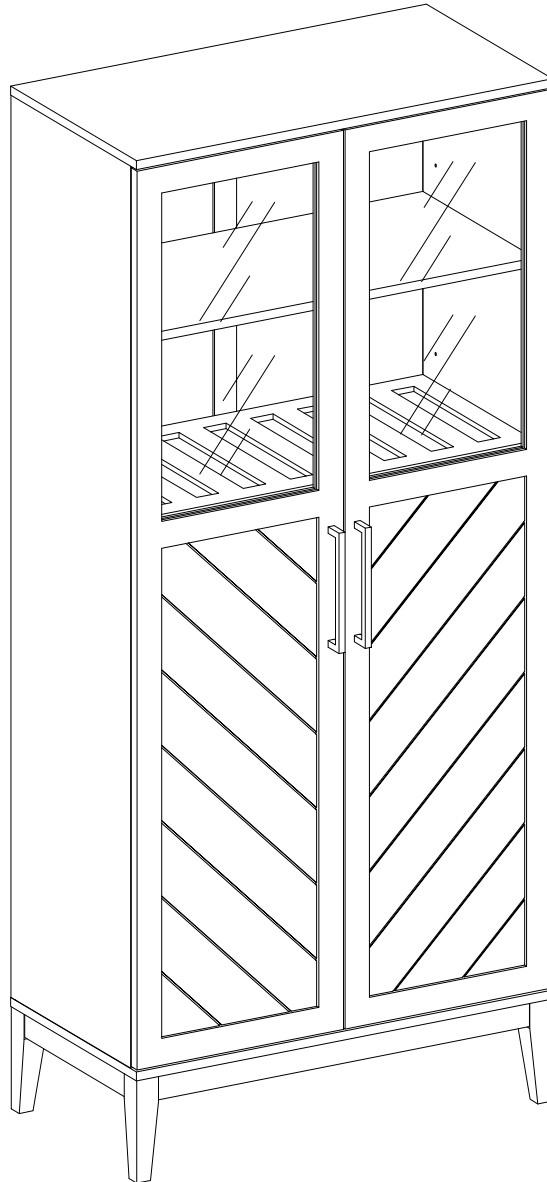


Item # : BS68LOGBC

Assembly Instructions



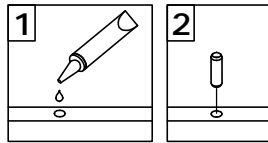
Walker Edison®

Please visit our website for the most current instructions, assembly tips, report damage, or request parts. www.walkeredison.com

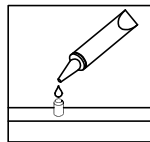
Revised 28/11/2019 (L)

General Assembly Guidelines

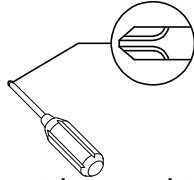
- I. Ensure that all parts and hardware are available before beginning assembly.
- II. Follow each step carefully to ensure the proper assembly of this product.
- III. Two people are recommended for ease in the assembly of this product.
- IV. The three main types of hardware used to assemble this product are: wood dowels, screws and bolts.
- V. The provided glue is to secure wood dowels in place. When first inserting dowels, locate the appropriate hole for the dowel, place a small amount of glue in the hole and insert the dowel. Wipe away excess glue immediately.



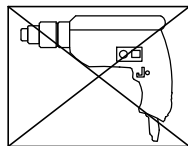
In future assembly steps when dowels are necessary to attach assembly parts together, place a small amount of glue on the end of the dowel before attaching parts together. Wipe away excess glue immediately.



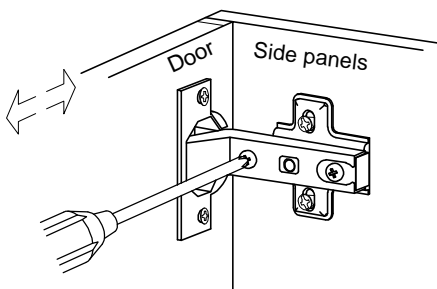
- VI. A Phillips head screwdriver is required for the assembly of this product.



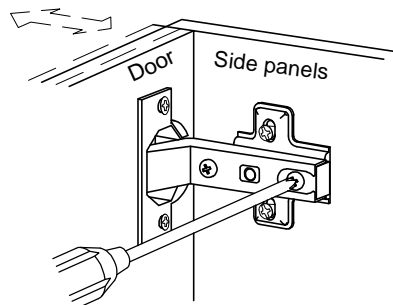
- VII. Power tools should not be used to assemble this product.



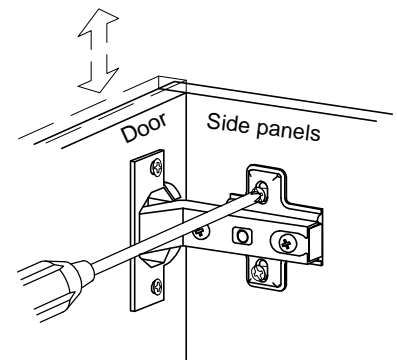
- VIII. Drill may be needed for securing product to wall.
- IX. Concealed hinges are three-way adjustable.



Horizontal
by screw adjustment

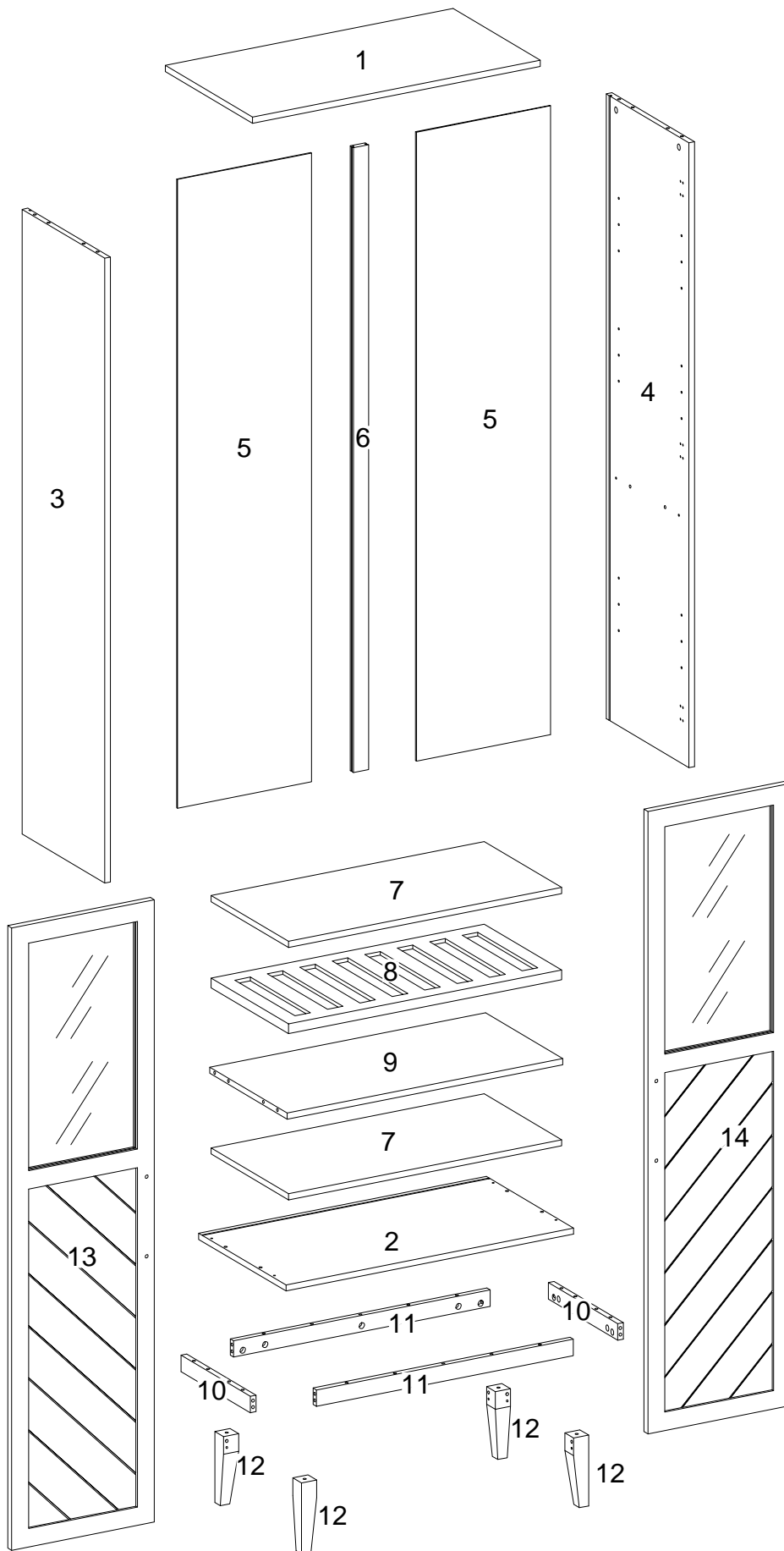


In-and-Out
by loosening the hinge-arm
mounting screw or via cam
adjustment


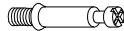




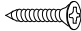





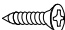



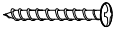

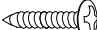
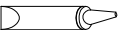


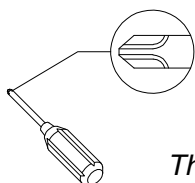
Vertical
Via slots in the mounting
plate or via cam adjustment

Parts List



Hardware List

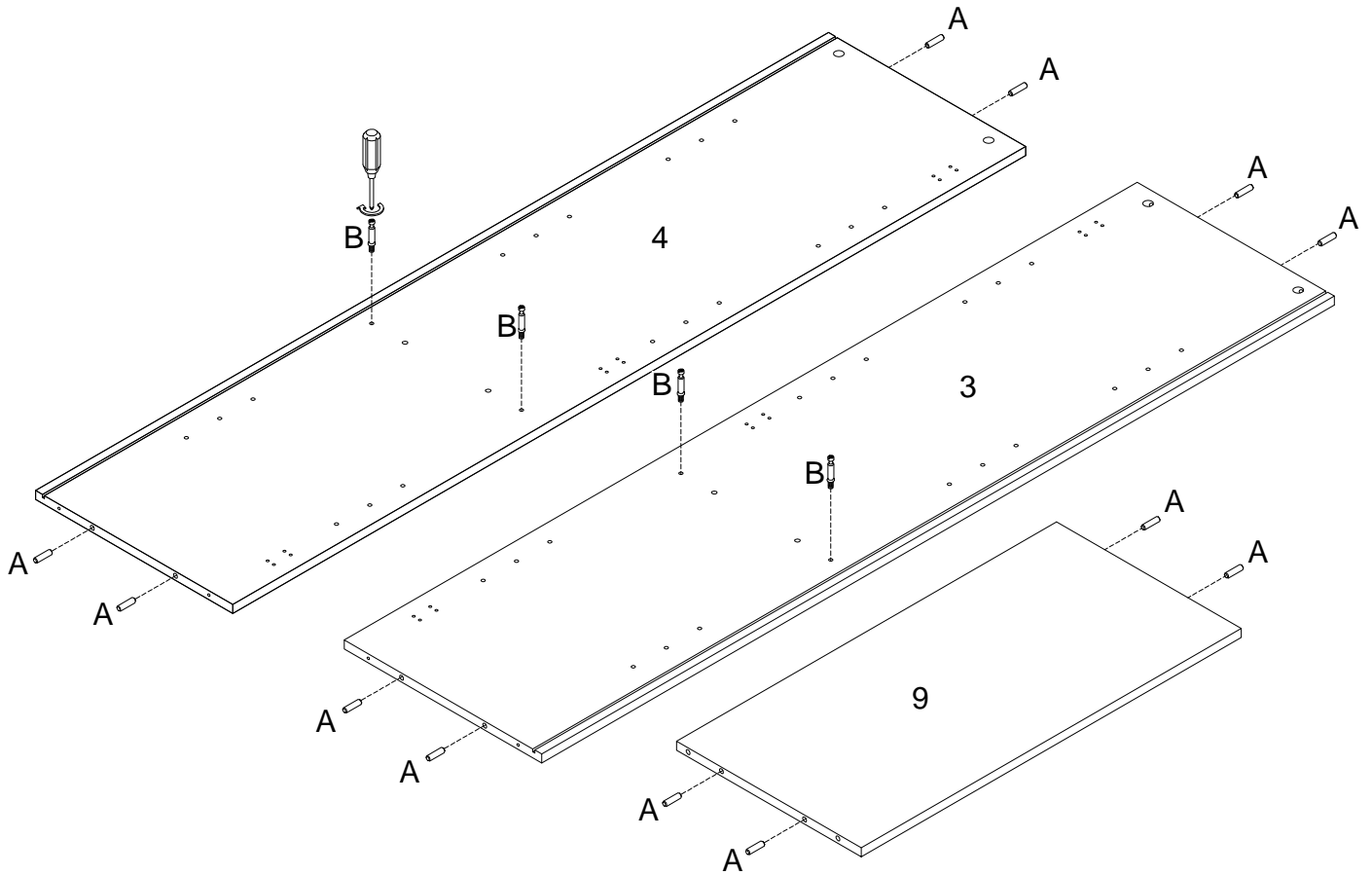
A		Ø8x30mm	Wooden dowel	32 pcs
B		Ø6x35mm	Cam bolt	26 pcs
C		Ø15x11mm	Cam lock	26 pcs
D		Ø30mm	Sticker	26 pcs
E		Ø6x50mm	Screw	4 pcs
F			Plastic wedge	16 pcs
G		Ø3x17mm	Screw	16 pcs
H			Handle	2 pcs
J		Ø4x25mm	Bolt	4 pcs
K			Europe Hinge	6 pcs
L		Ø3.5x14mm	Screw	36 pcs
M			Door stopper	1 pc
N		Ø3x14mm	Screw(Black)	2 pcs
P			L shape shelf support pin	12 pcs
Q		4mm	Hex Key	1 pc
R			Velcro strap	2 pcs
S		Ø4x25mm	Screw	2 pcs
T			Nut	2 pcs
U		Ø4x12mm	Screw	2 pcs
V			Glue tube	1 pc



Philips head screwdriver required for assembly
(not included)

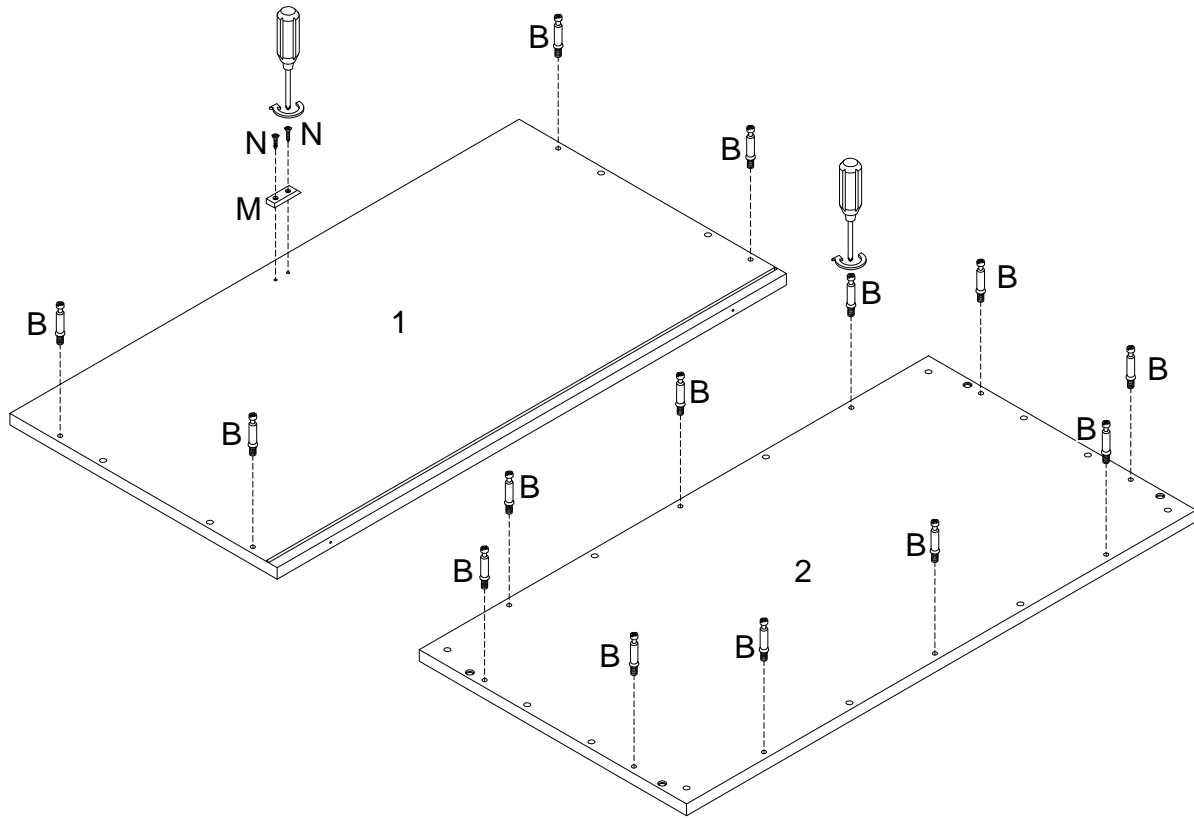
*The hardware quantities listed above are required for proper assembly.
Some extra hardware may also have been included.*

Step 1



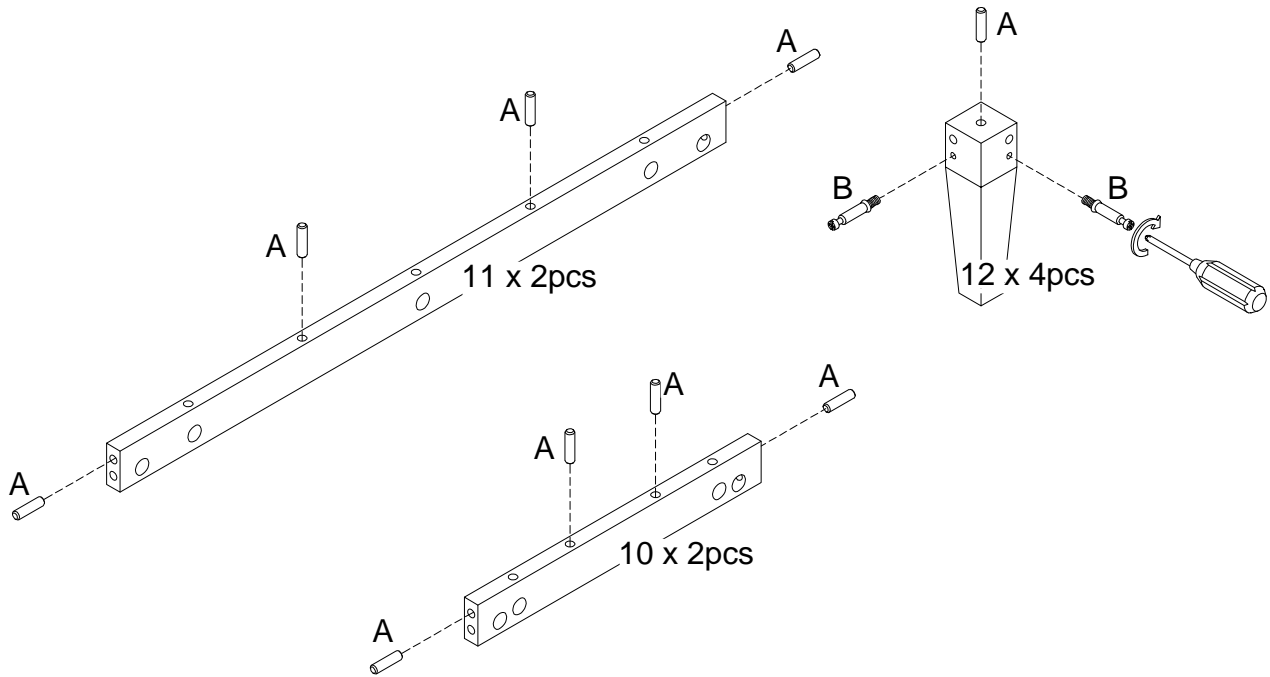
Insert wooden dowel (A) into parts (3,4,9), then secure cam bolt (B) into parts (3,4) with Philips head screwdriver as per diagram.

Step 2



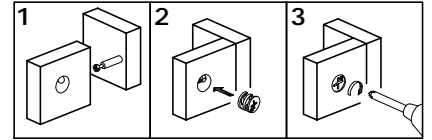
Secure cam bolt (B) into parts (1,2), then using screw (Black) (N) attach door stopper (M) to part (1) with Philips head screwdriver as per diagram.

Step 3

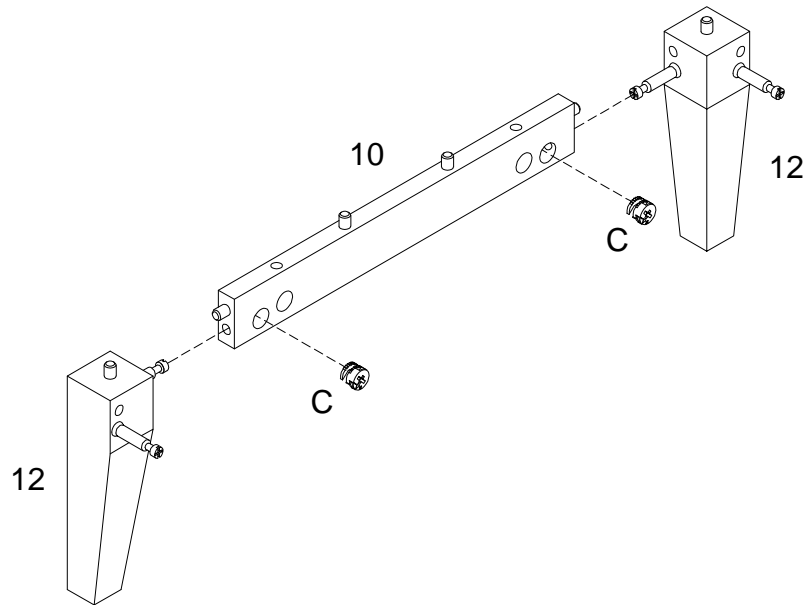


Insert wooden dowel (A) into parts (10,11,12), then secure cam bolt (B) into part (12) with Philips head screwdriver as per diagram.

Step 4

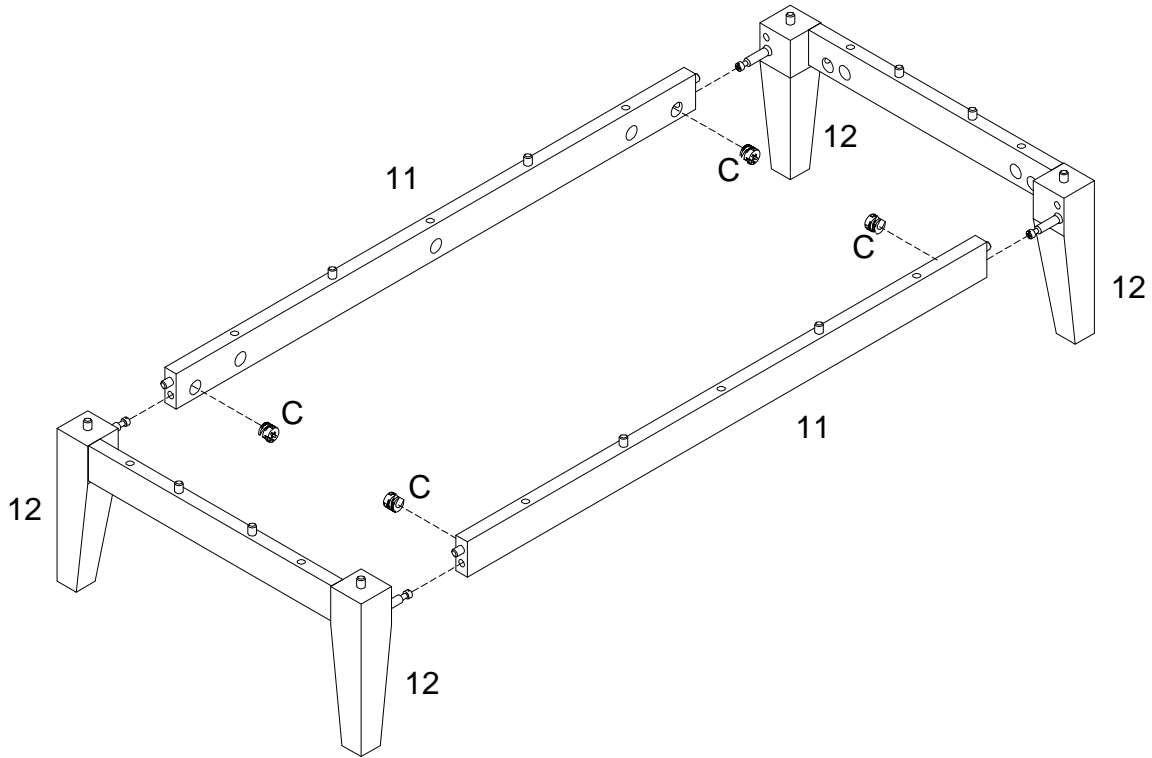
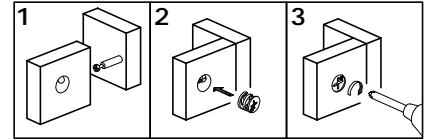


x 2



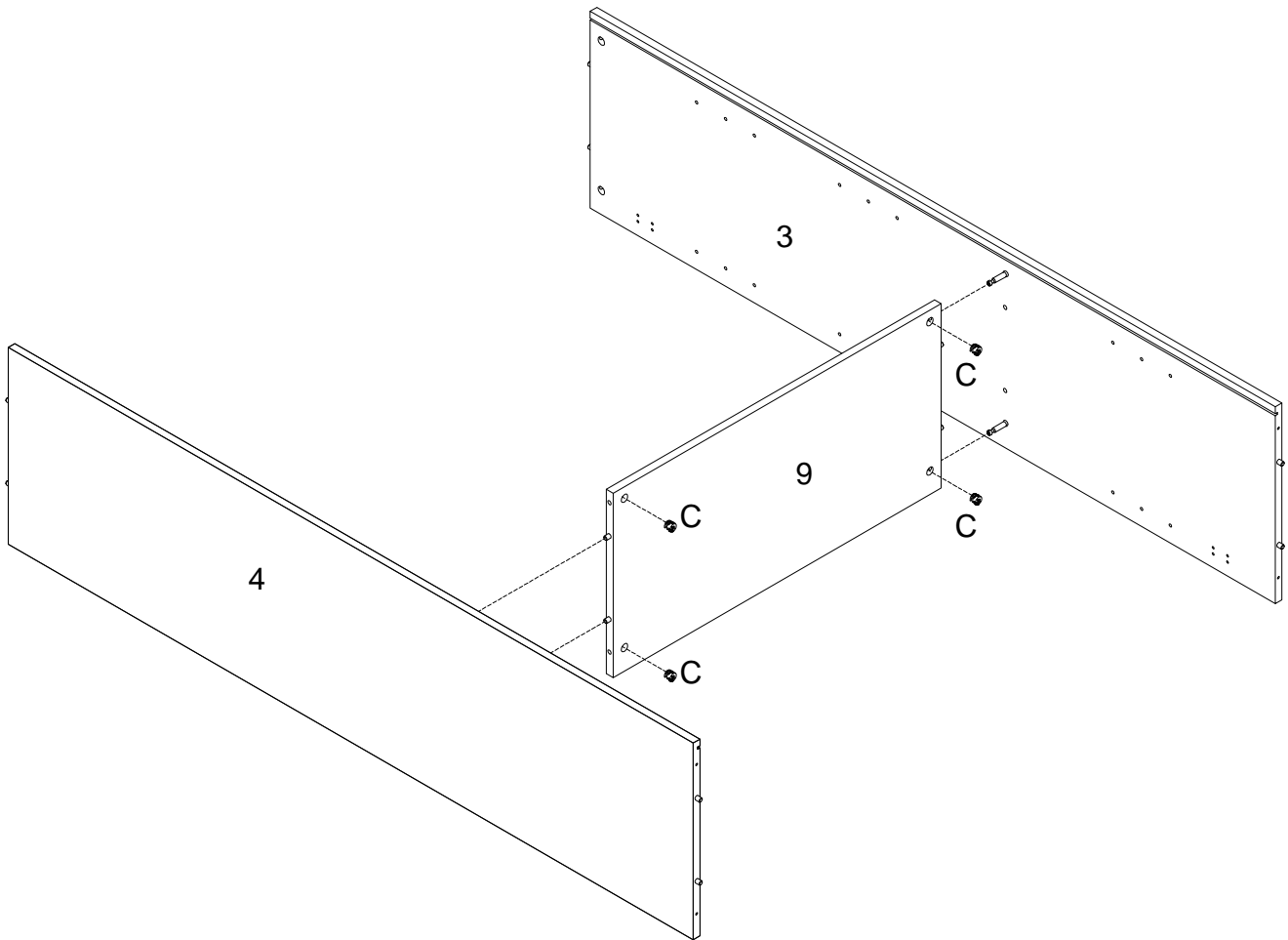
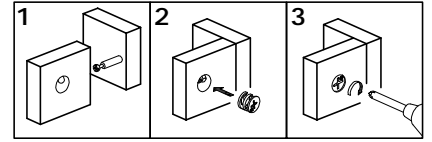
Using cam lock(C) secure parts (12) to part (10) with Philips head screwdriver as per diagram.

Step 5



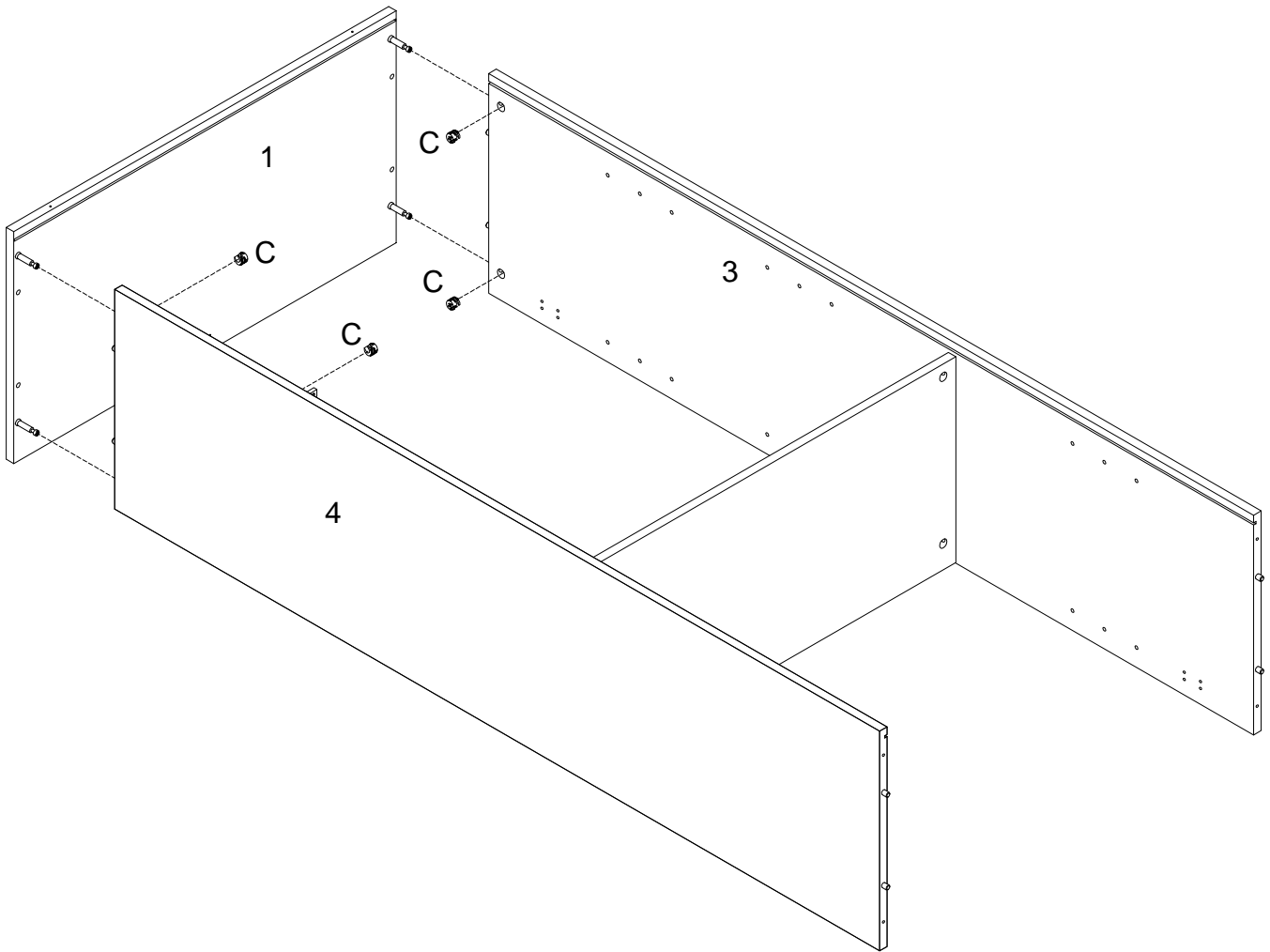
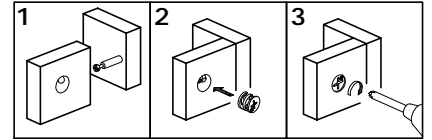
Using cam lock(C) secure parts (12) to parts (11) with Philips head screwdriver as per diagram.

Step 6



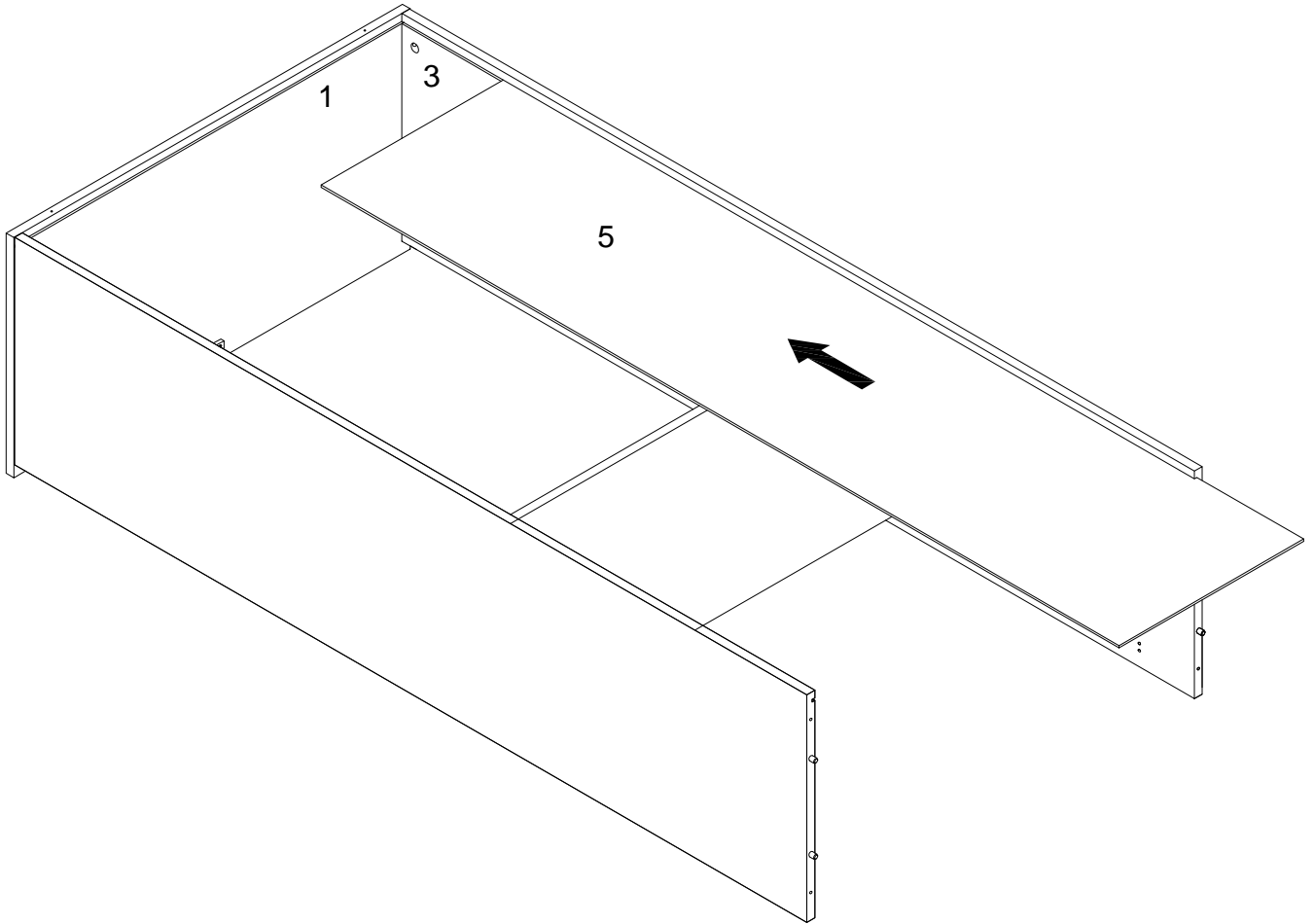
Using cam lock(C) secure parts (3,4) to part (9) with Philips head screwdriver as per diagram.

Step 7



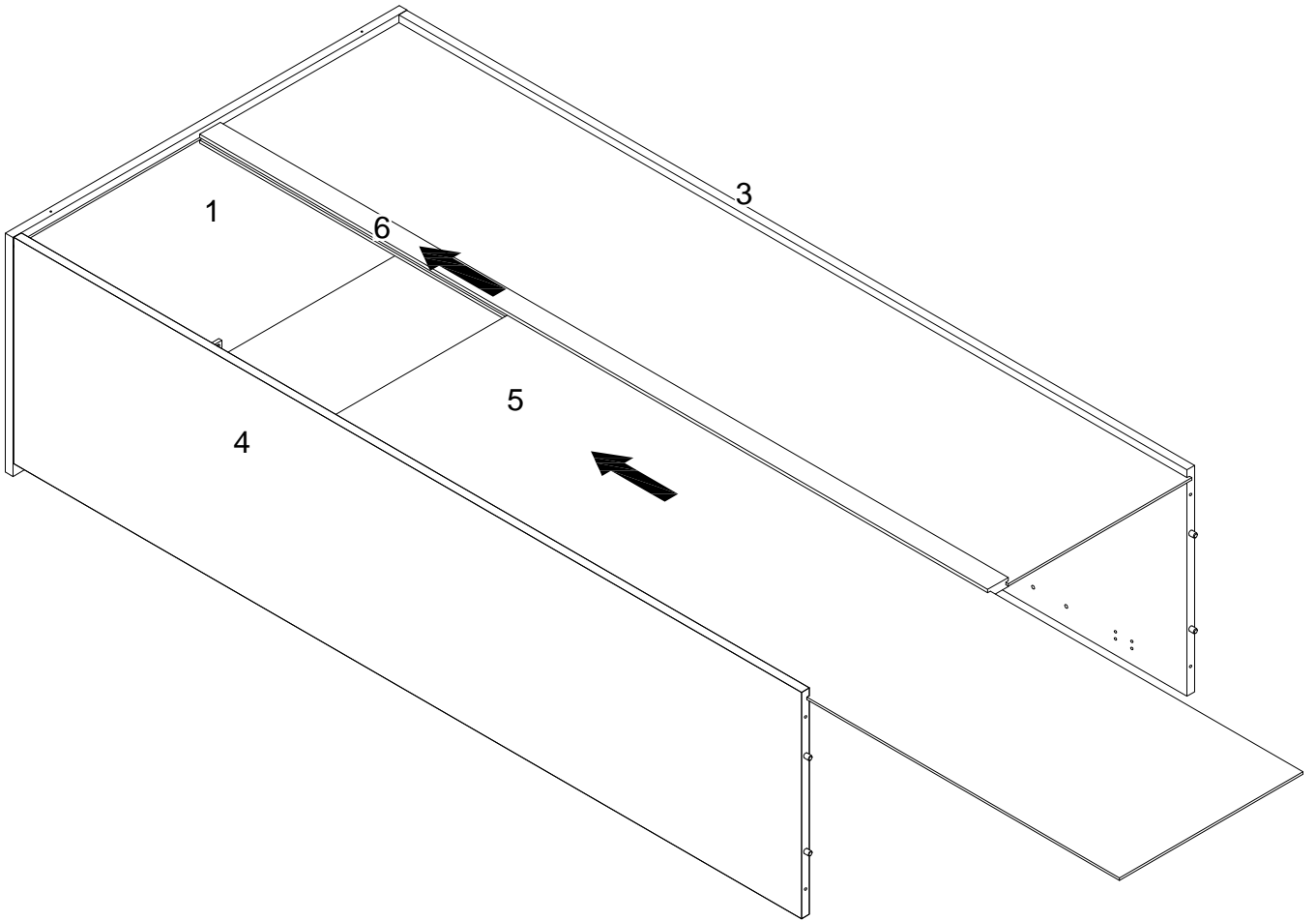
Using cam lock(C) secure part (1) to parts (3,4) with Philips head screwdriver as per diagram.

Step 8



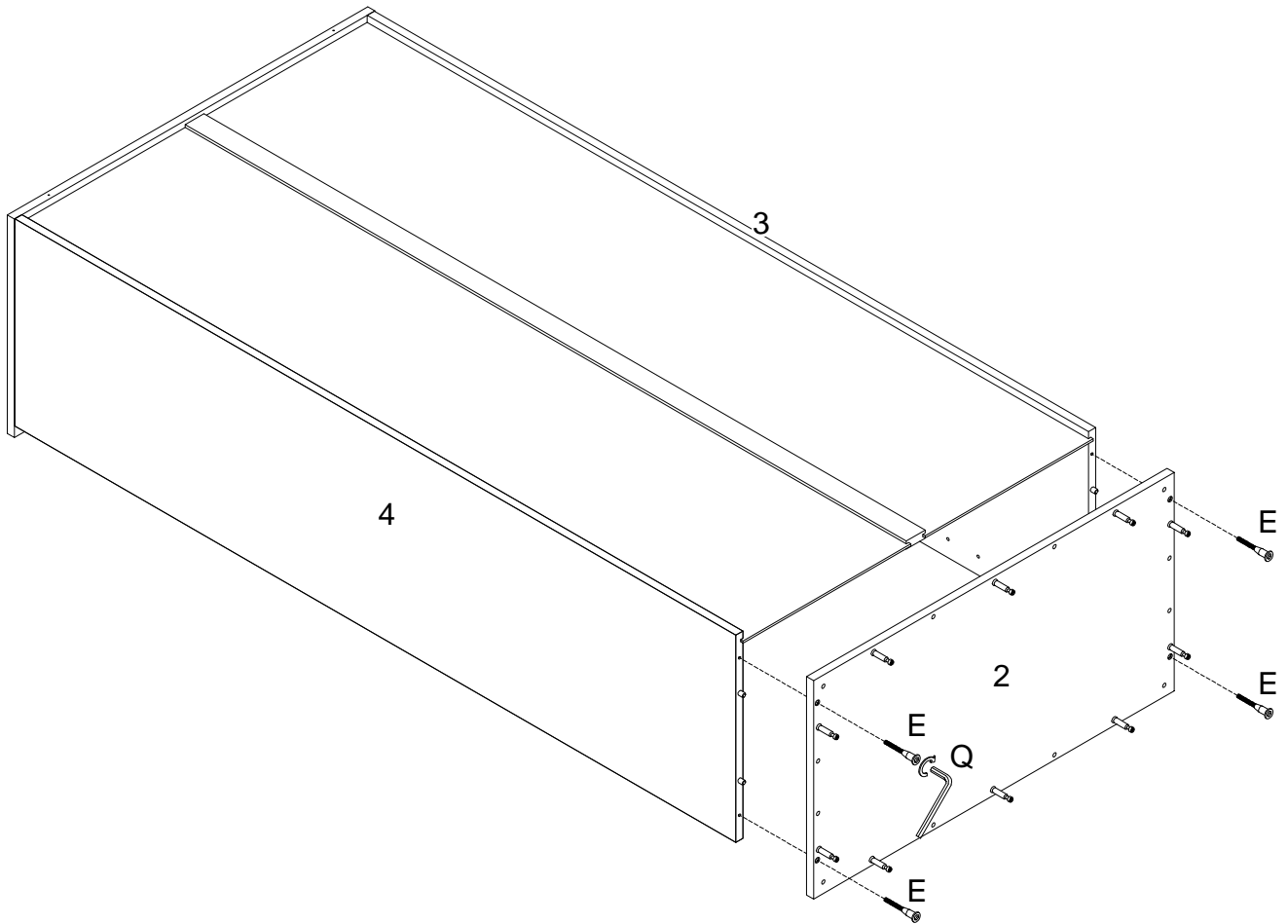
Put part (5) as per diagram.

Step 9



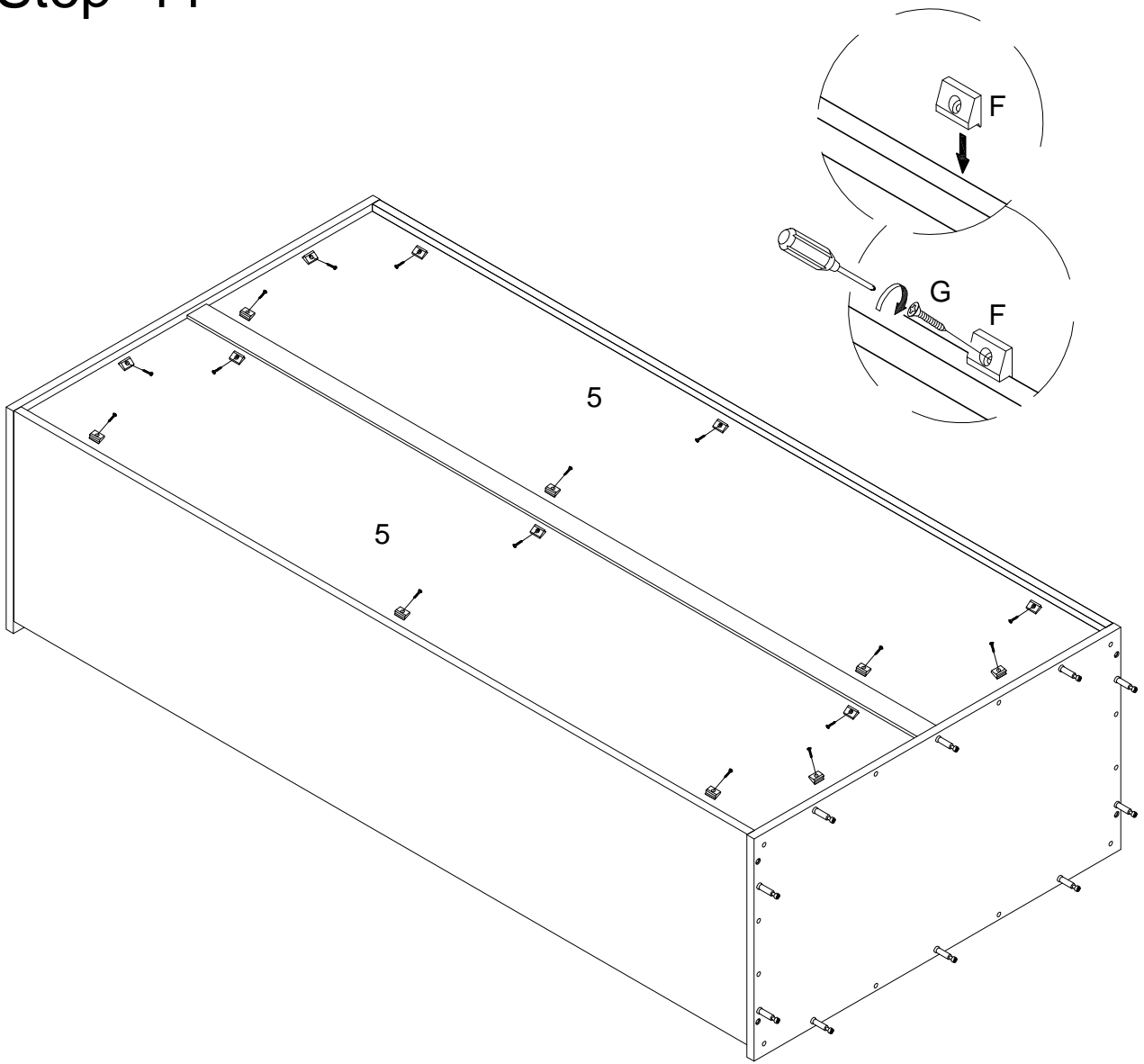
Put parts (5,6) as per diagram.

Step 10



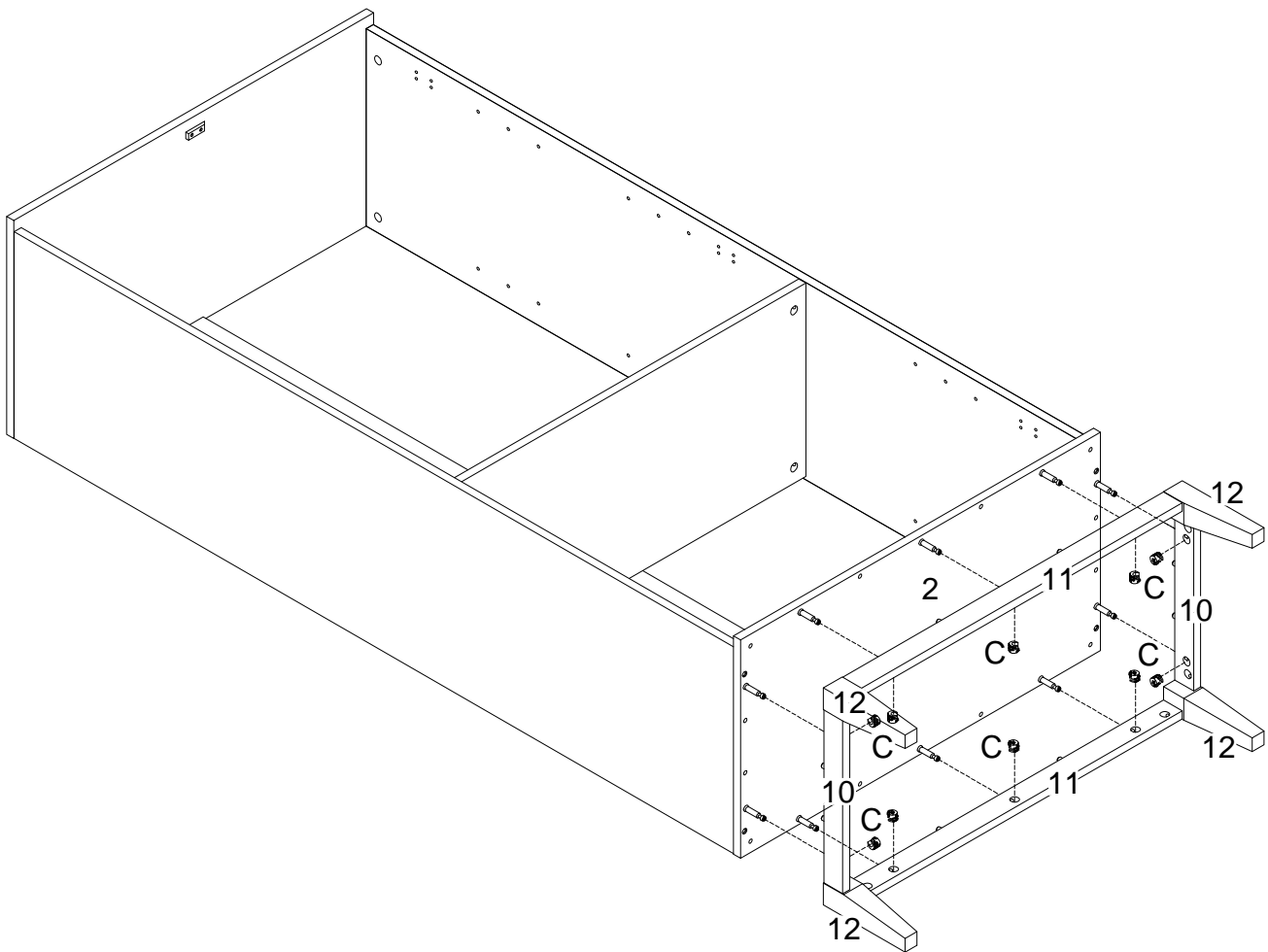
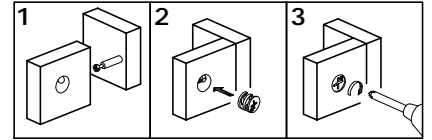
Using screw (E) attach part (2) into parts (3,4) with hex key (Q) as per diagram.

Step 11



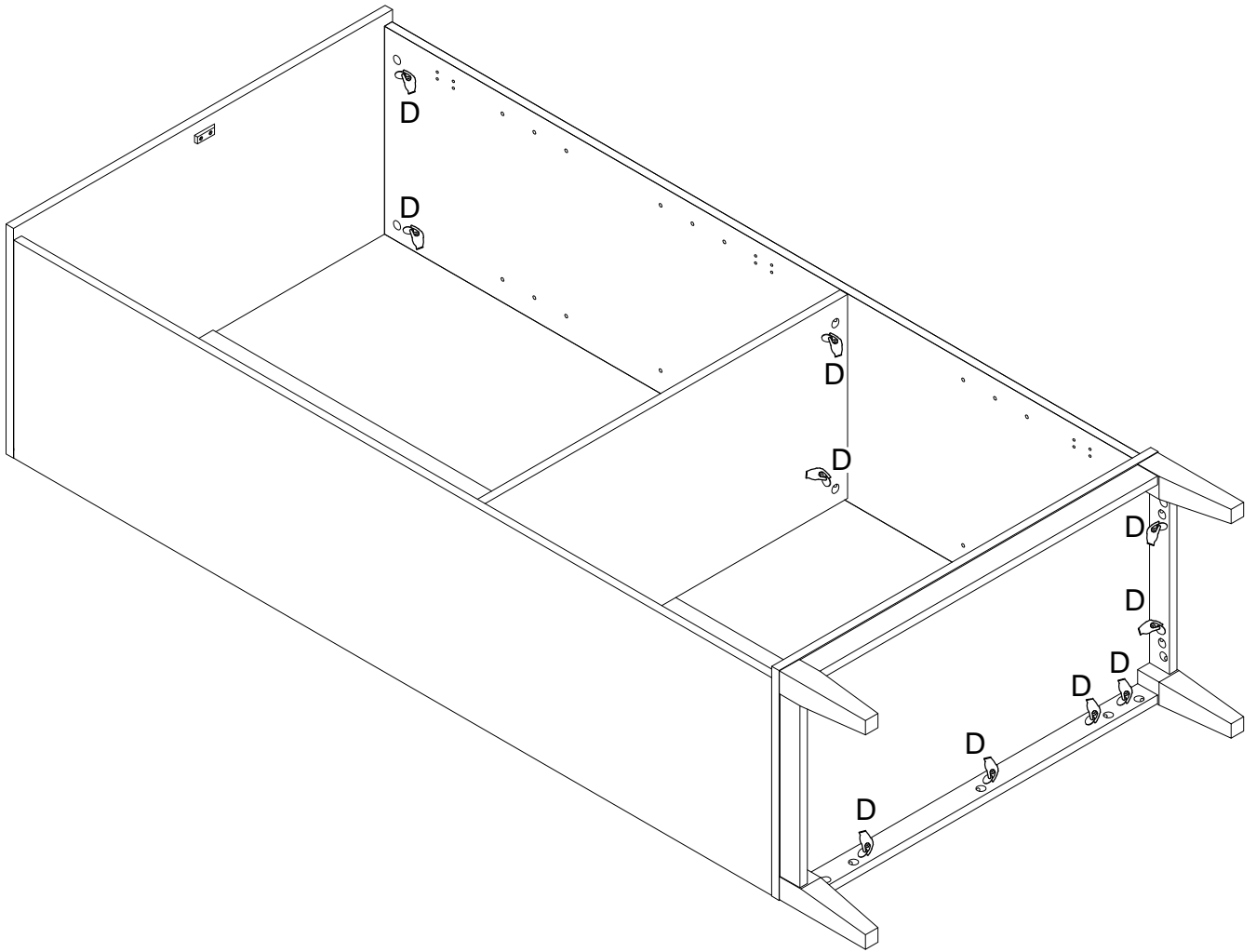
Using screw (G) secure plastic wedge (F) to part (5) with Philips head screwdriver as per diagram.

Step 12



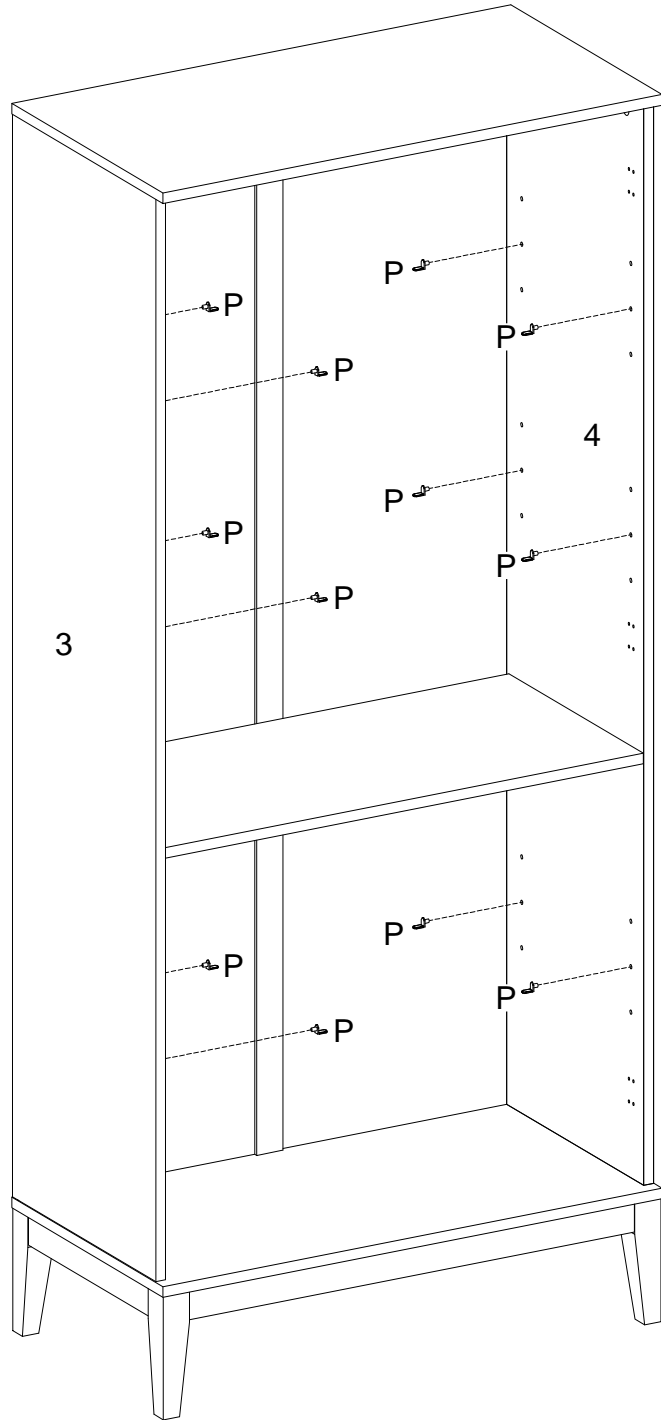
Using cam lock(C) secure parts (10,11) to part (2) with Philips head screwdriver as per diagram.

Step 13



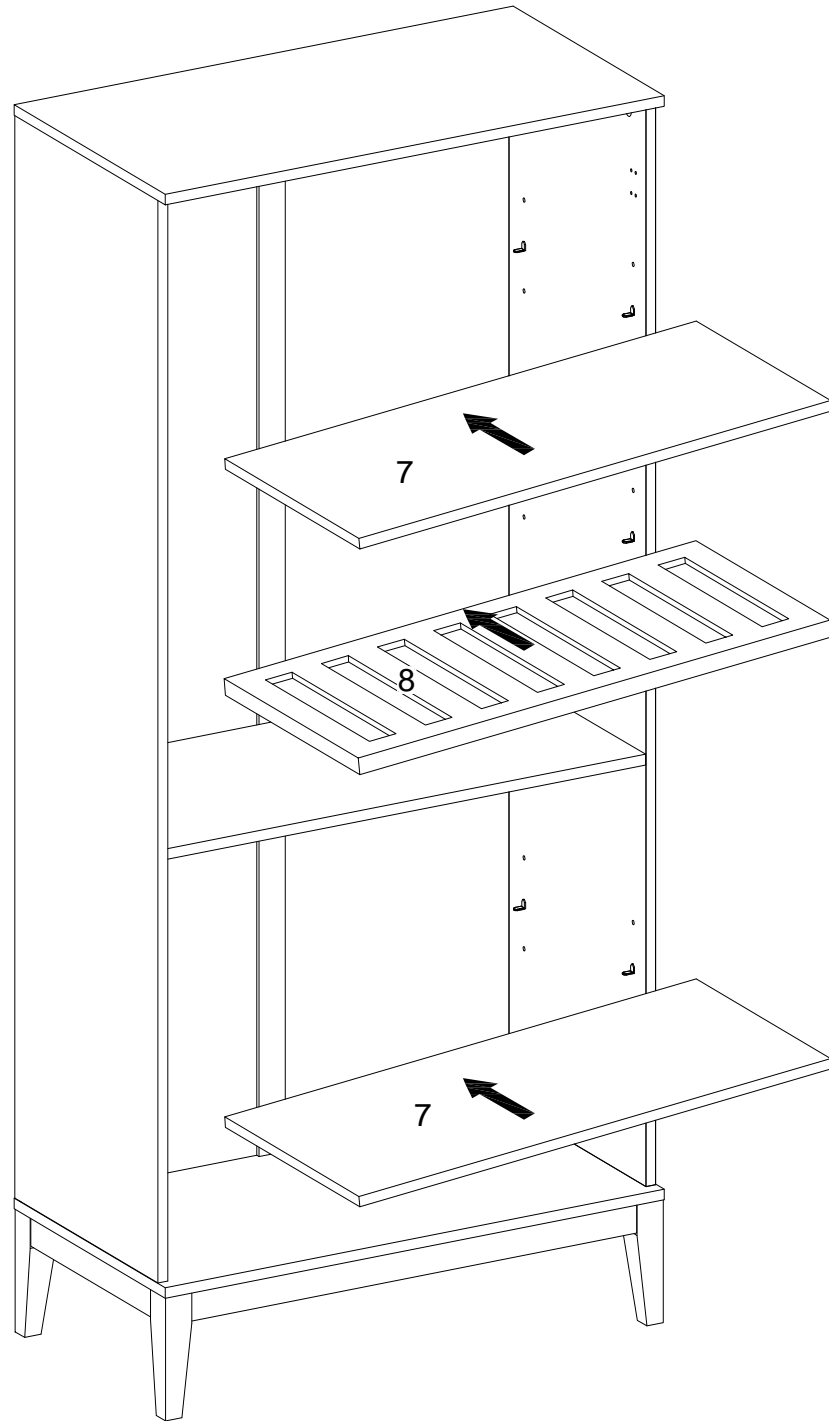
Place sticker (D) cover the holes as per diagram .

Step 14



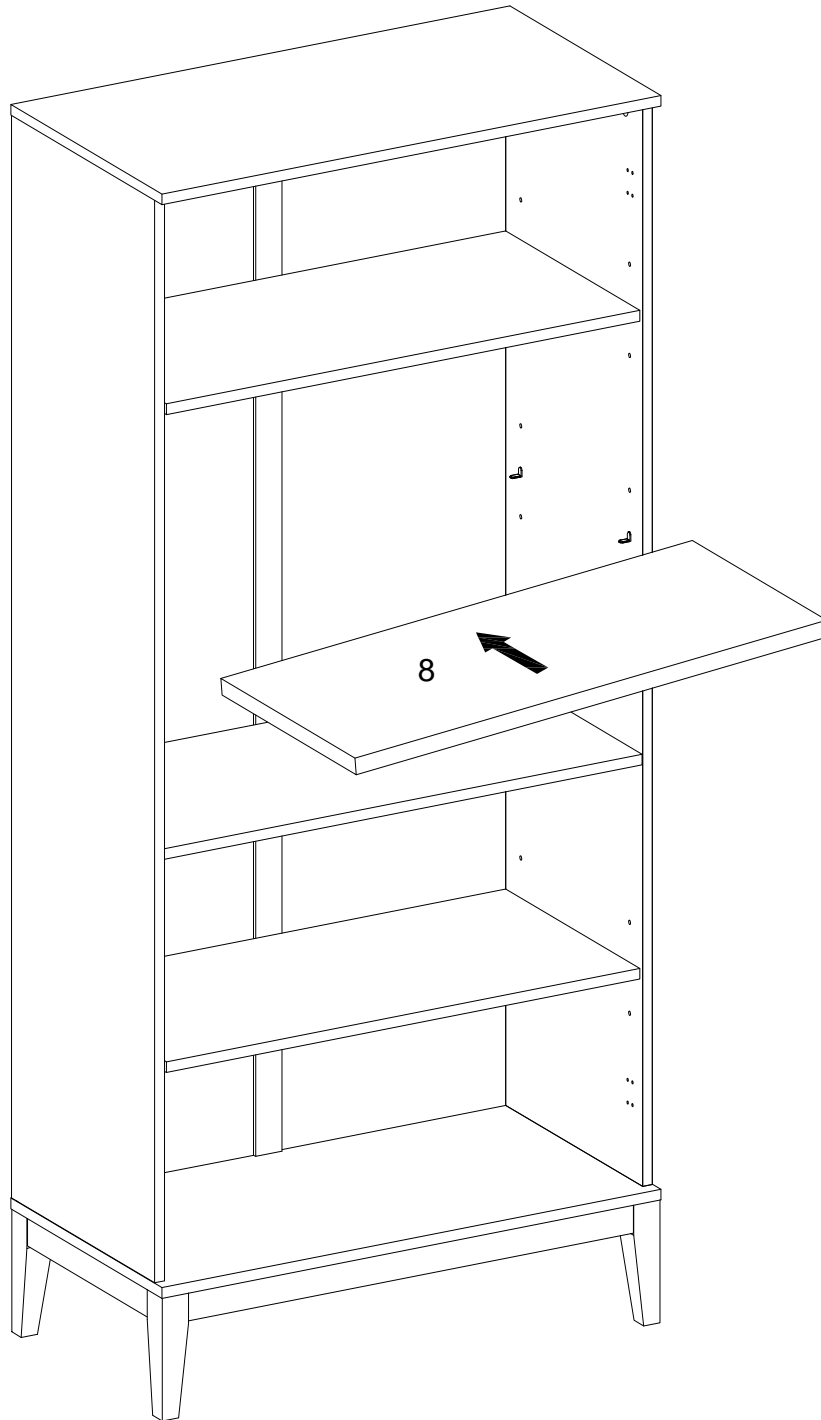
Insert L shape shelf support pin (P) into parts (3,4) as per diagram.

Step 15



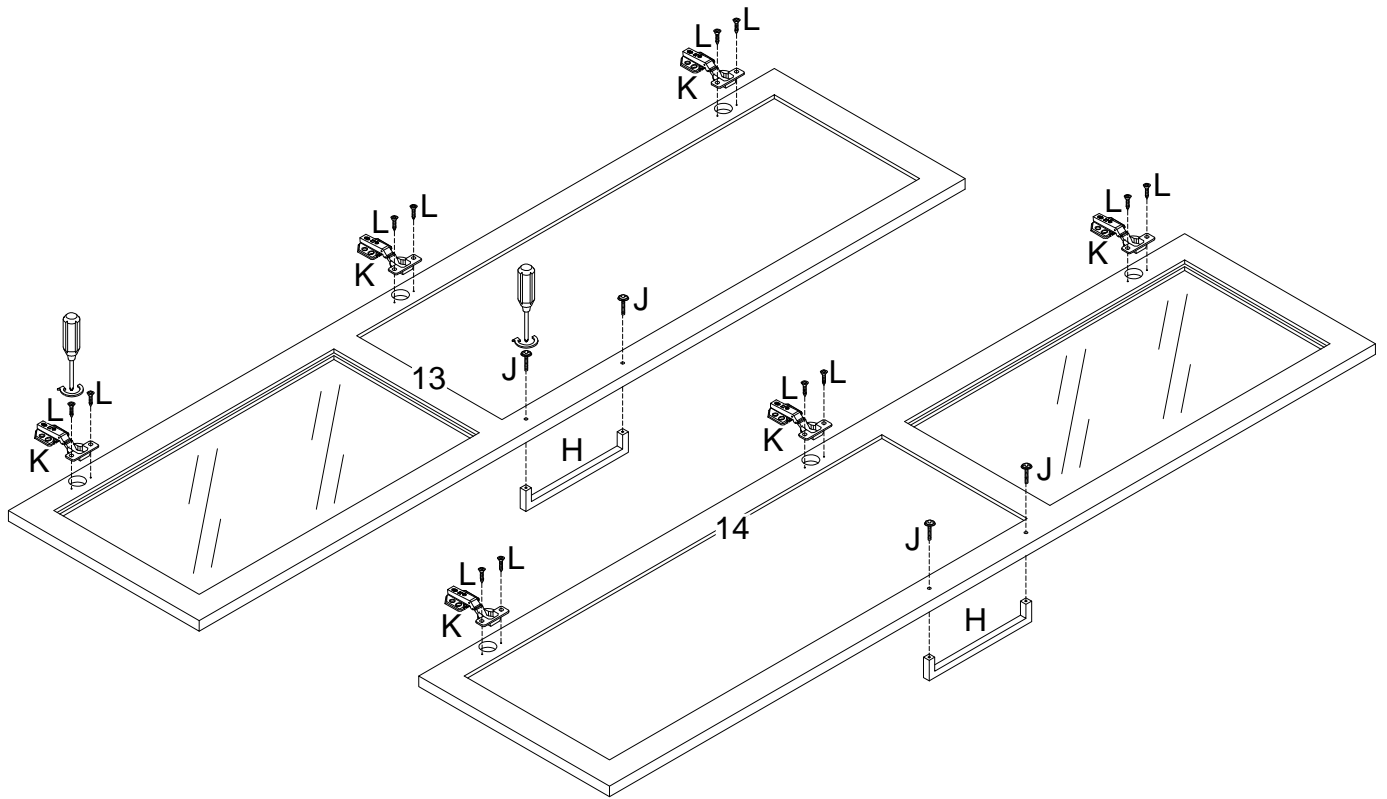
Put parts (7,8) into unit as per diagram.
Tilt and rest the adjustable shelves(7,8) onto the shelf support pins .

Step 16



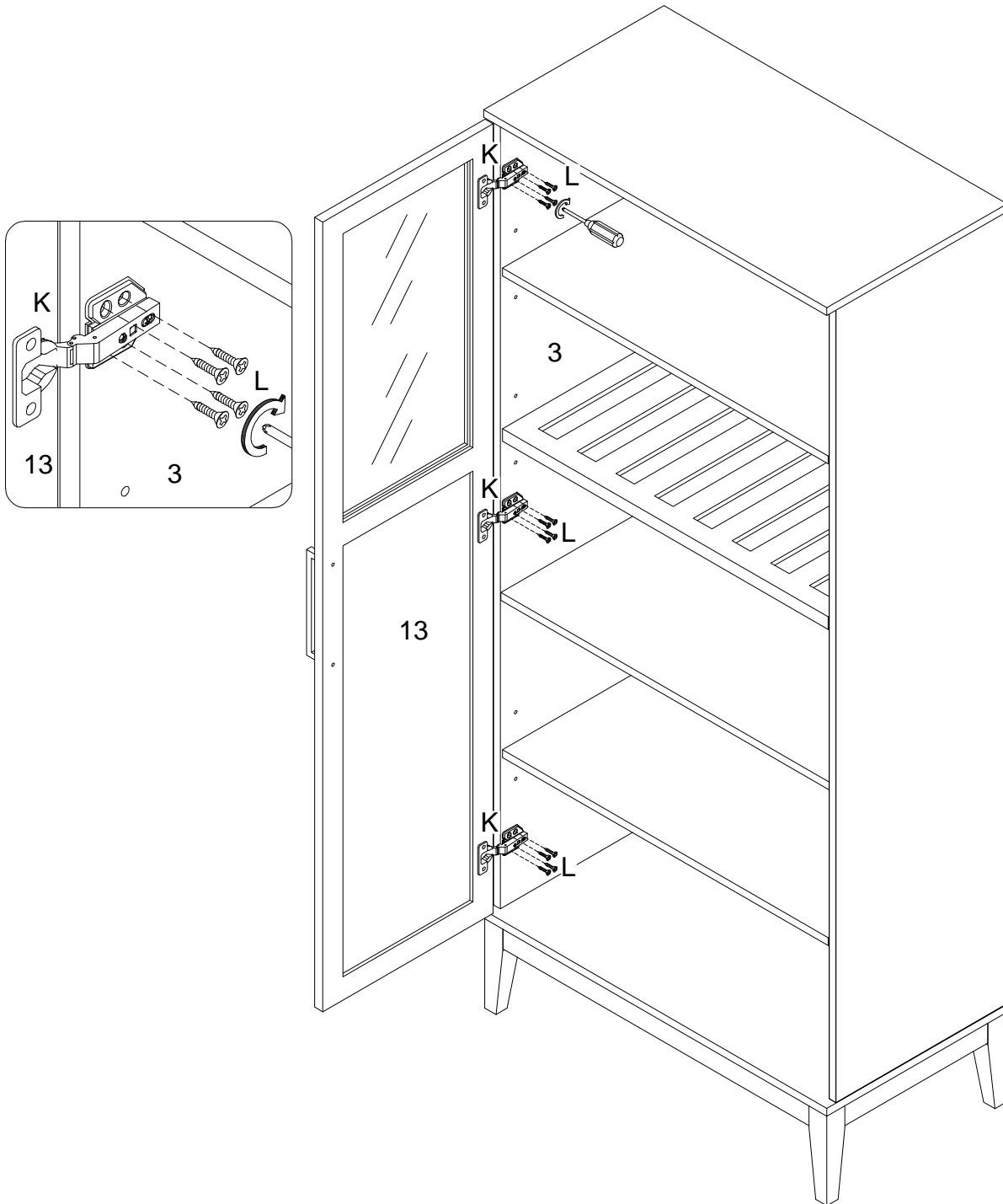
The reverse side of part (8) also can be used as shelf .Put part (8) into the unit as per diagram .

Step 17



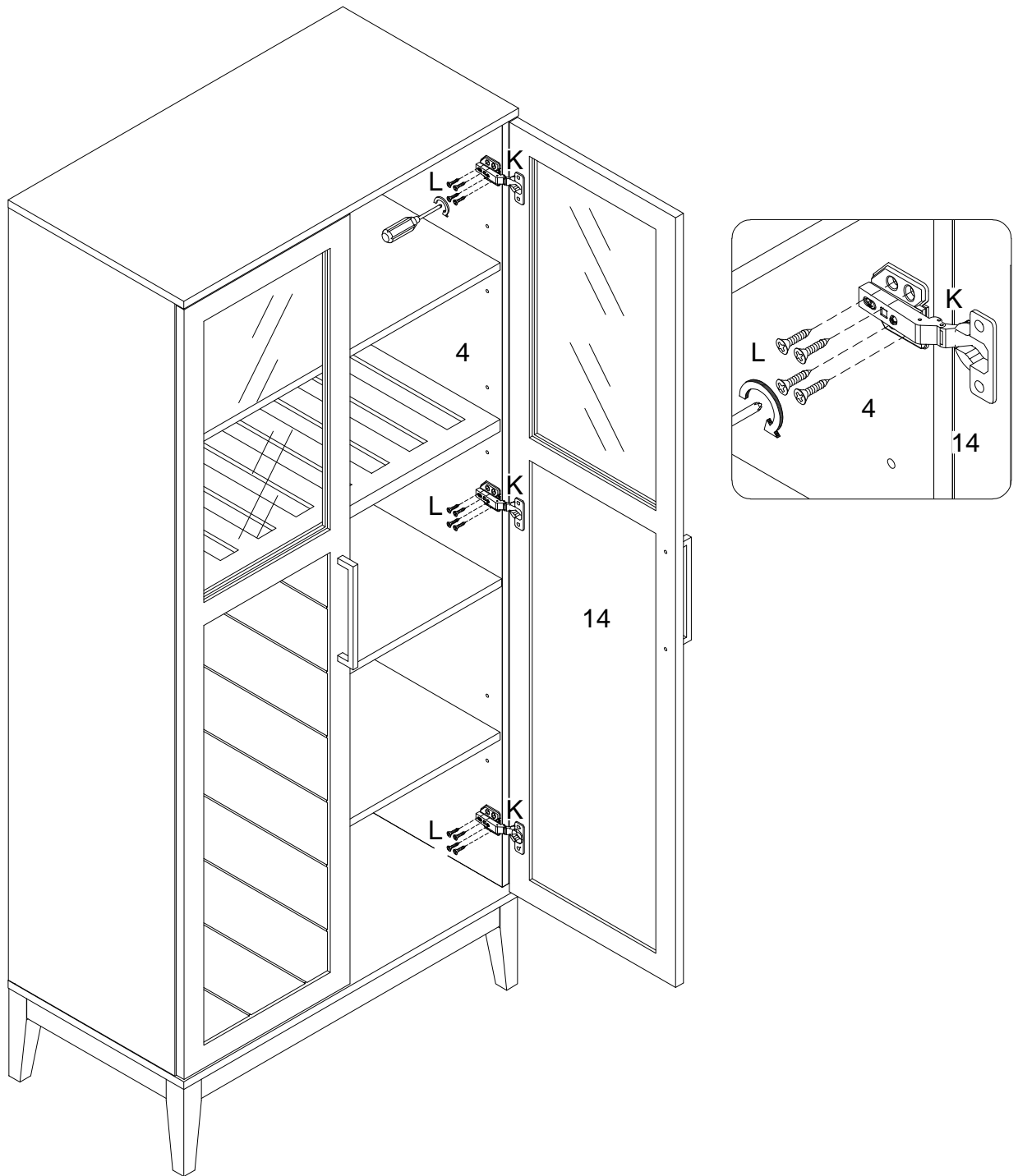
Using screw (L) attach Europe hinge (K) ,bolt (J) attach handle (H) into parts (13,14) with Philips head screwdriver as per diagram.

Step 18



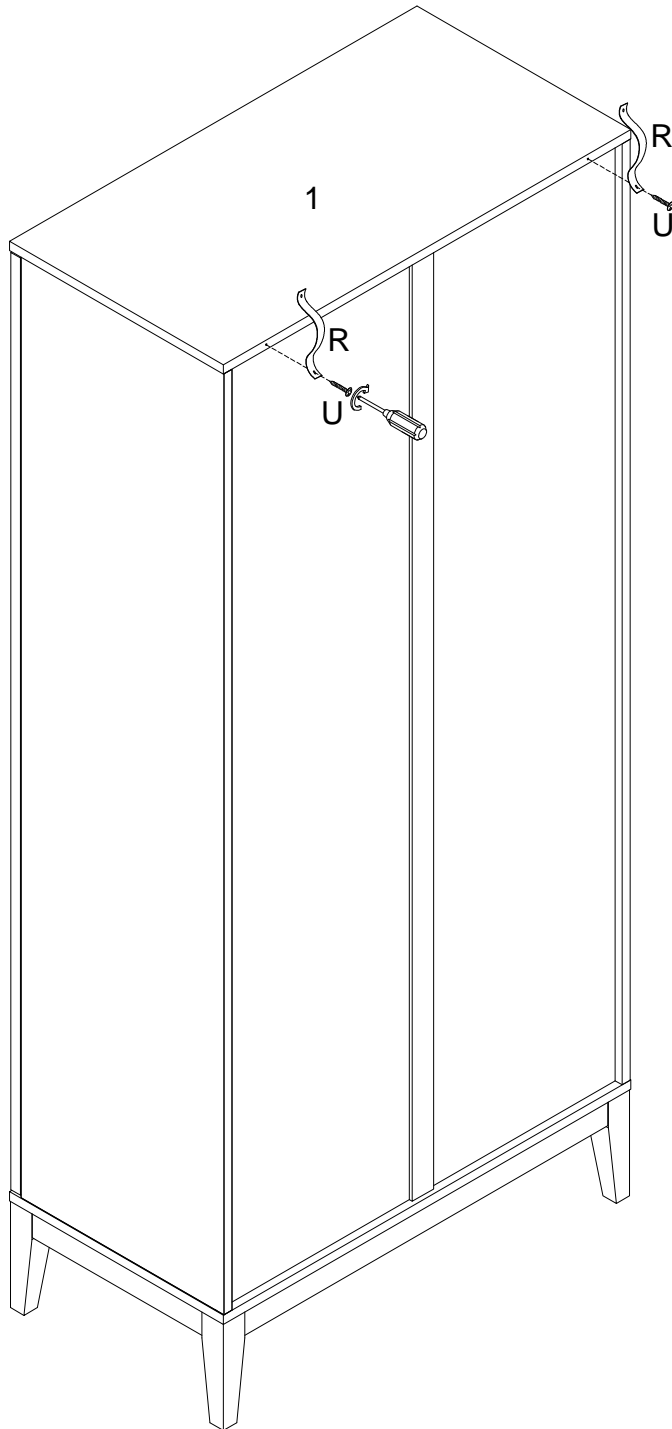
Using screw (L) attach Europe hinge (K) into part (3) with Philips head screwdriver as per diagram.

Step 19



Using screw (L) attach Europe hinge (K) into part (4) with Philips head screwdriver as per diagram. Open and close the doors .If necessary ,adjust the screws for a good fit .

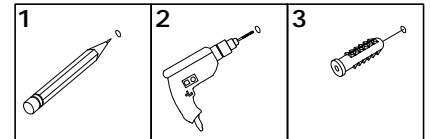
Step 20



Using screw (U) attach Velcro strap (R) into part (1) with Philips head screwdriver as per diagram.

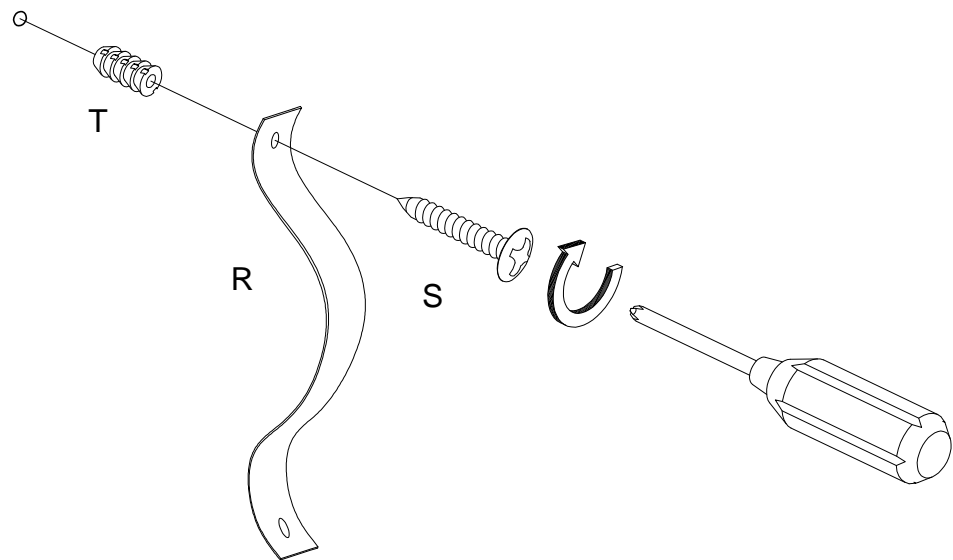
Step 21

WARNING



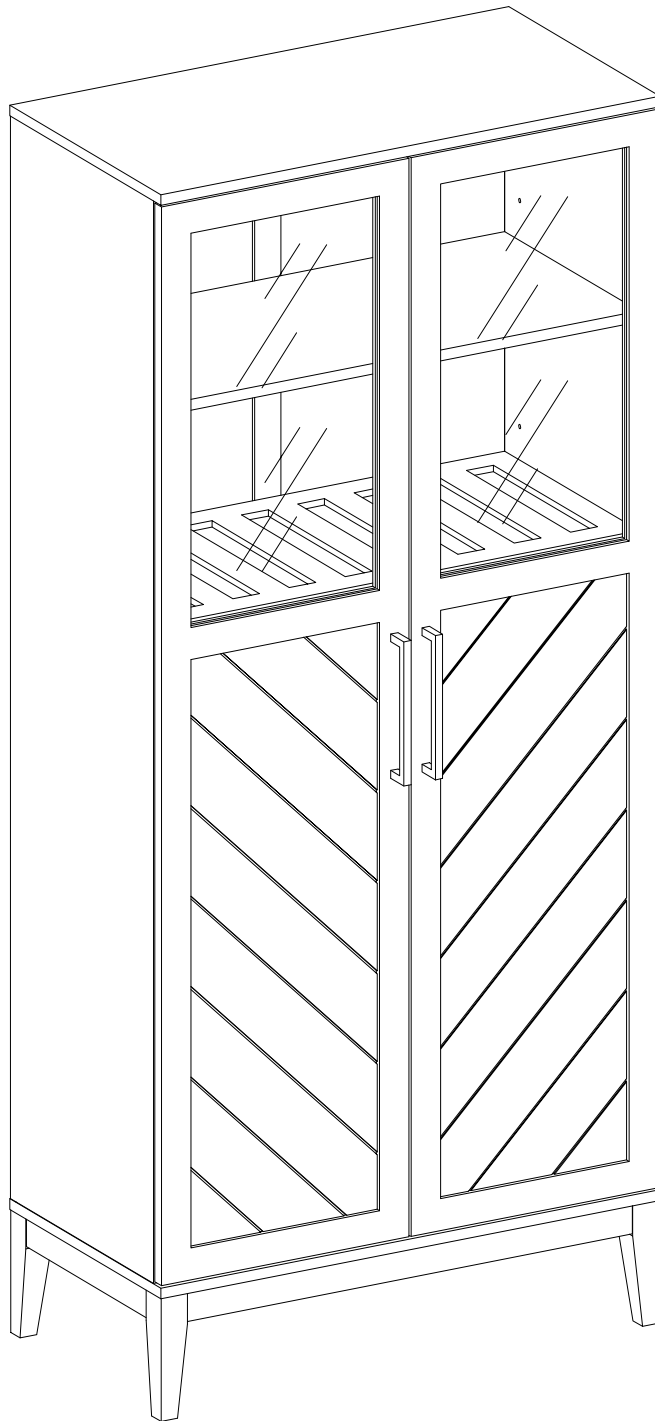
Serious or fatal injuries can occur from furniture tipping over. To prevent the furniture from tipping over we recommend that it is permanently fixed to the wall. Wall anchor and hardware are included with this product. Please make sure hardware is suitable for your walls before installing, as different wall materials may require different types of anchors.

Wall



Using screw (S) attach Velcro strap (R) into Nut (T) to wall with Philips head screwdriver as per diagram.

Step 22



Final Assembly