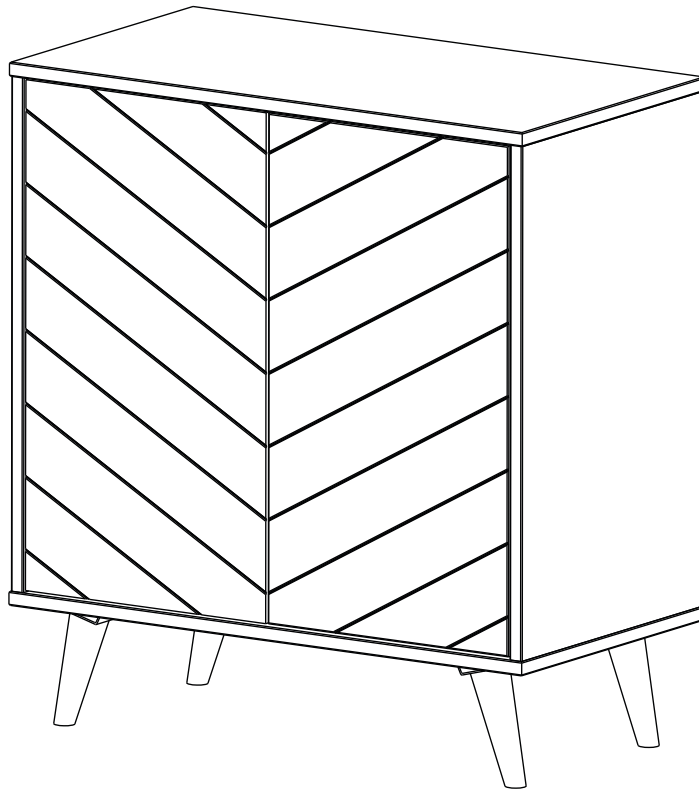


# AF30KEN2D

## Assembly Instructions



Walker  
Edison®

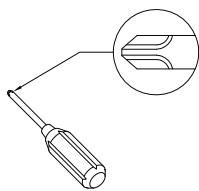
Please visit our website for the most current instructions, assembly tips, report damage,  
or request parts. [www.walkeredison.com](http://www.walkeredison.com)

Revised 06/2020

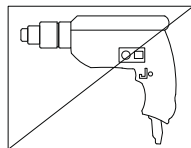
Copyright © 2018, by Walker Edison Furniture Co., LLC. All rights reserved.

# General Assembly Guidelines

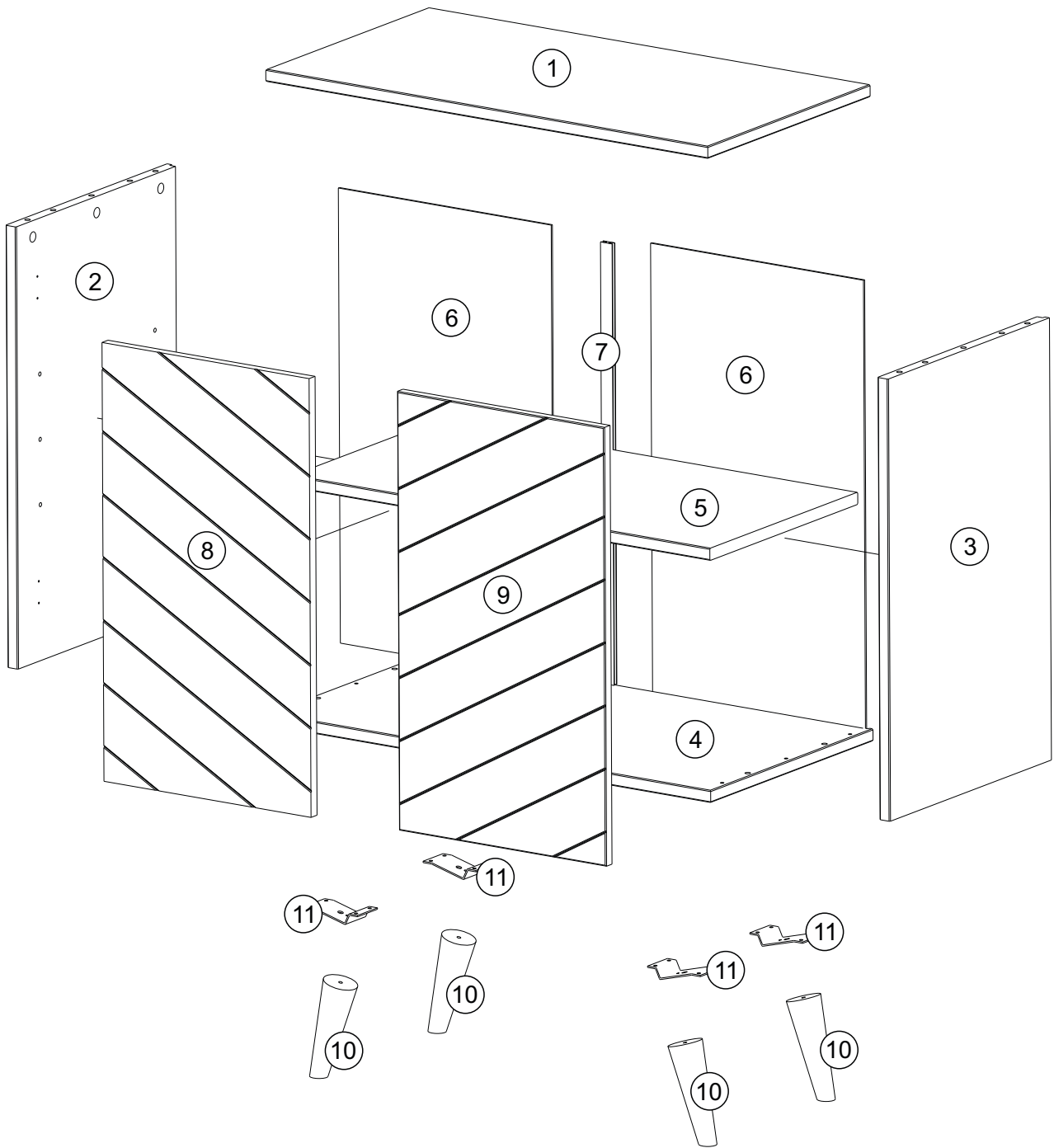
- I. Ensure that all parts and hardware are available before beginning assembly.
- II. Follow each step carefully to ensure the proper assembly of this product.
- III. Two people are recommended for ease in the assembly of this product.
- IV. The three main types of hardware used to assemble this product are : wood dowels , screws and bolts.
- V. A Phillips head screwdriver is required for the assembly of this product .



- VI. Power tools should not be used to assemble this product .

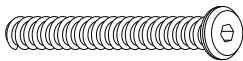
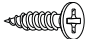


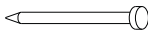


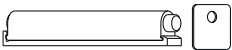
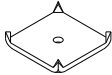
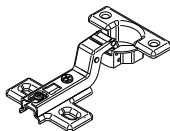
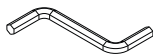




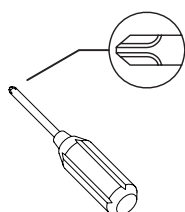
# Parts List



- Part 1: Top
- Part 2: Left side
- Part 3: Right side
- Part 4: Bottom
- Part 5: Shelf
- Part 6: Back
- Part 7: H profile
- Part 8: Left door
- Part 9: Right door
- Part 10: Leg
- Part 11: Leg plat

# Hardware List

A		Ø7x50 mm	Bolt	04 pcs
B		Ø3,5x16 mm	Screw	42 pcs
C		Ø4x45 mm	Screw	06 pcs
D		Ø8x30 mm	Wood dowel	08 pcs
E		10x10	Nail	26 pcs
F			Minifix Screw	06 pcs
G			Minifix Cam Lock	06 pcs
H			Touch closure	02 pcs
I			Plate with claw	08 pcs
J			Hinge Soft Close	04 pcs
K			Hex key	01 pc
L			Shelf Support	04 pcs
M			Wall Anchor	01 pc

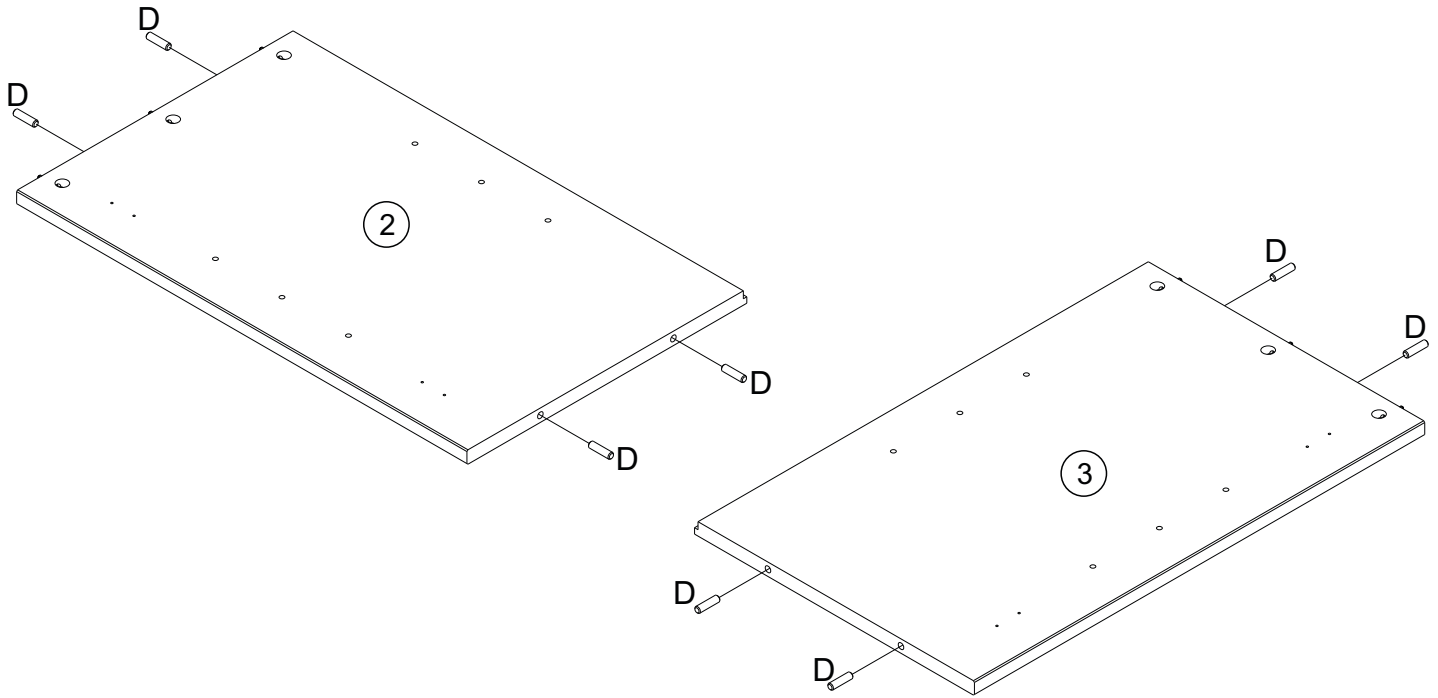


Philips head screwdriver required for assembly  
(not included)

*The hardware quantities listed above are required for proper assembly.  
Some extra hardware may also have been included.*

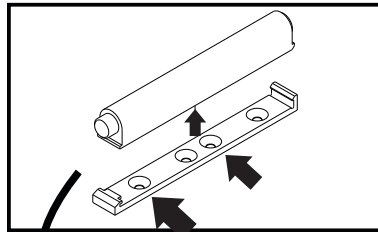
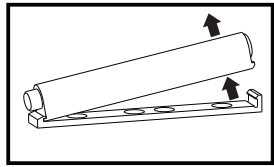
# Step 1

D



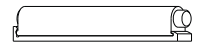
Insert wood dowels (D) into parts (2,3).

# Step 2



Use to attach

H

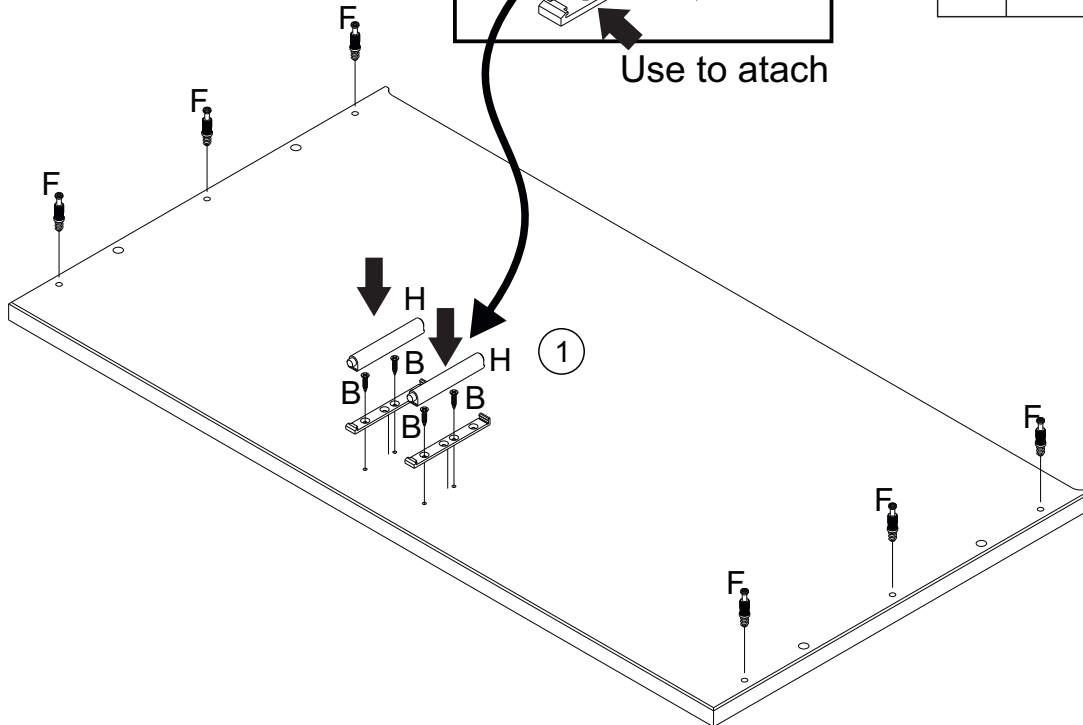


B

16 mm

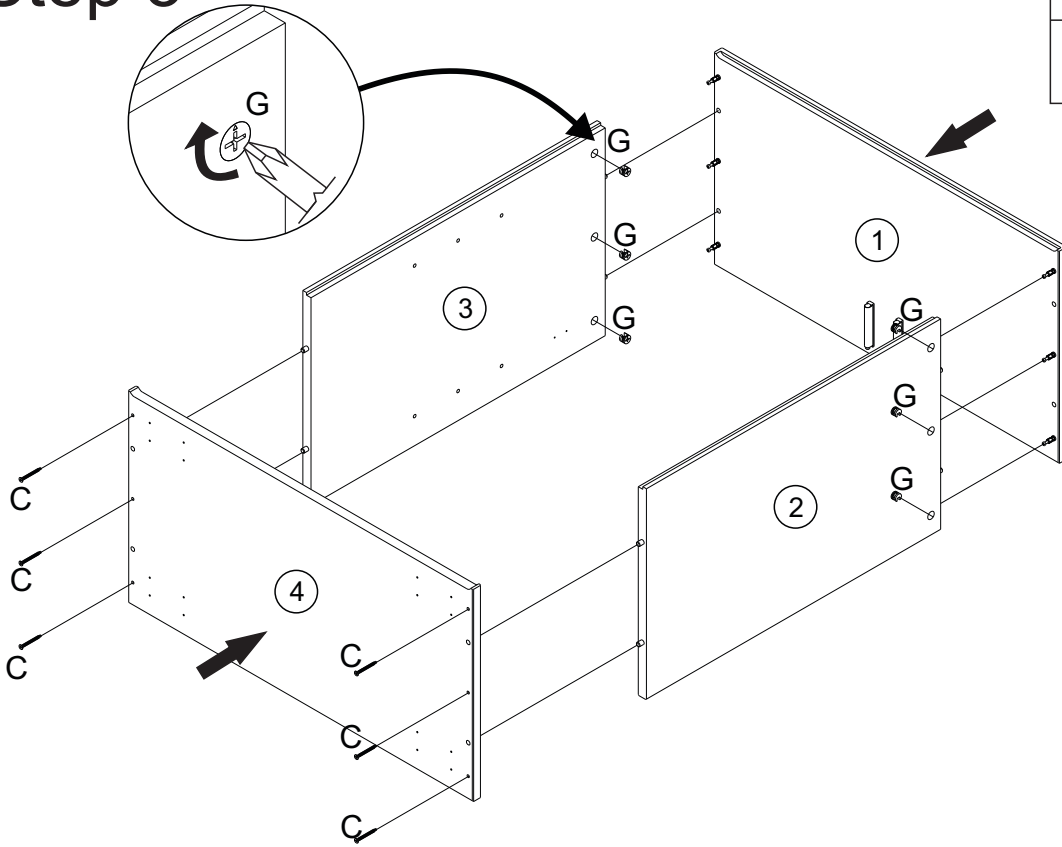




F



Attach touch closure (H) into part (1) using Screw (B) and fixing minifix screw (F)

# Step 3

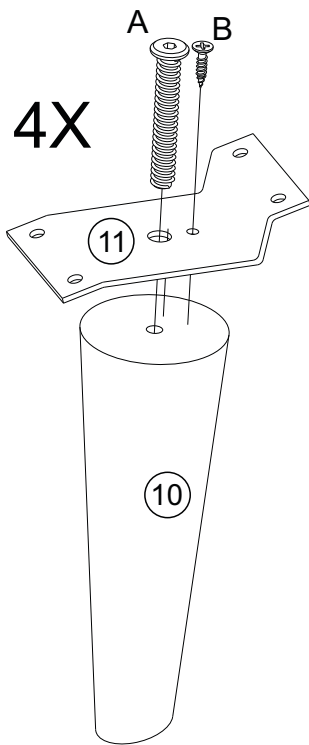




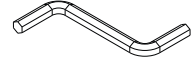
C	 45 mm
G	

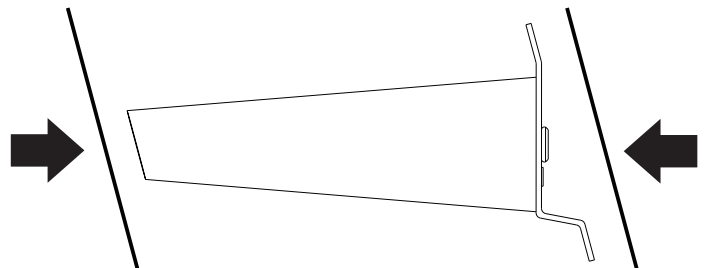
Secure part (1) to parts (2,3) using minifix cam lock and secure parts(4) to parts (2,3) using Screw (C).

J

# Step 4



A	 50 mm
B	 16 mm
K	

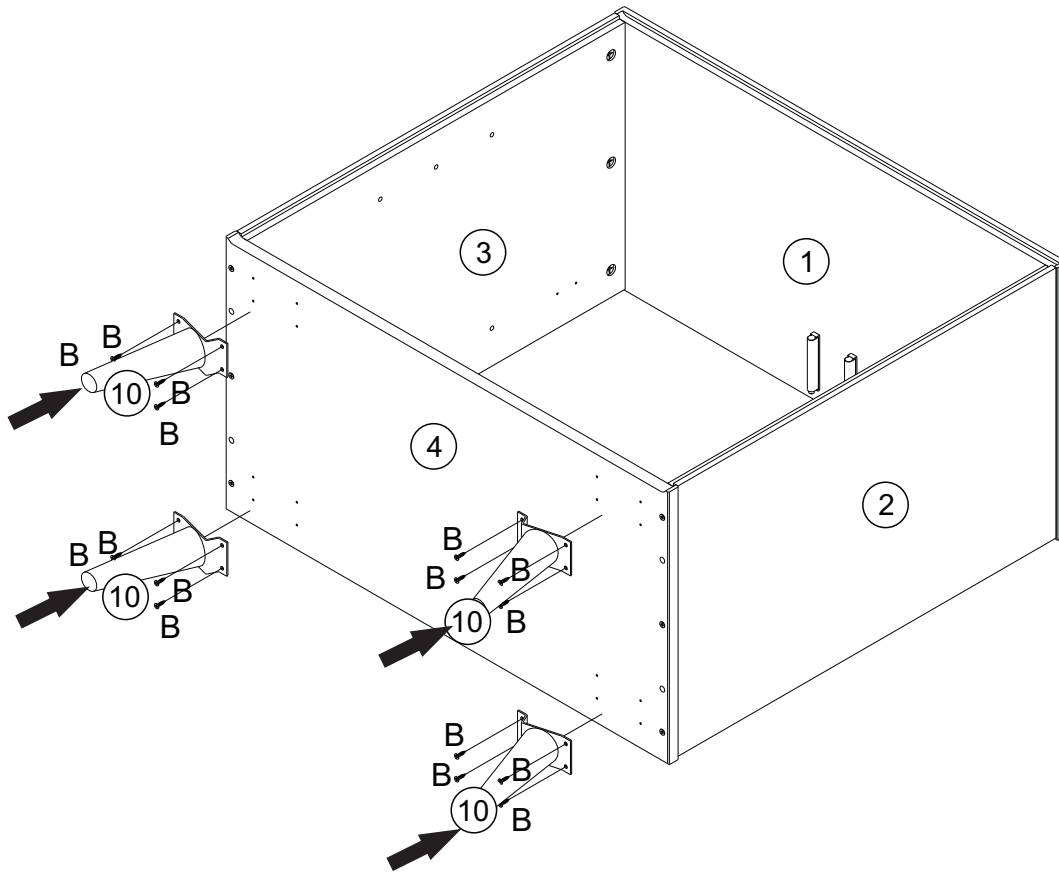


Connect part (10) to part (11) using bolt (A) hex key (K) and Screw (B)

# Step 05

B

16 mm



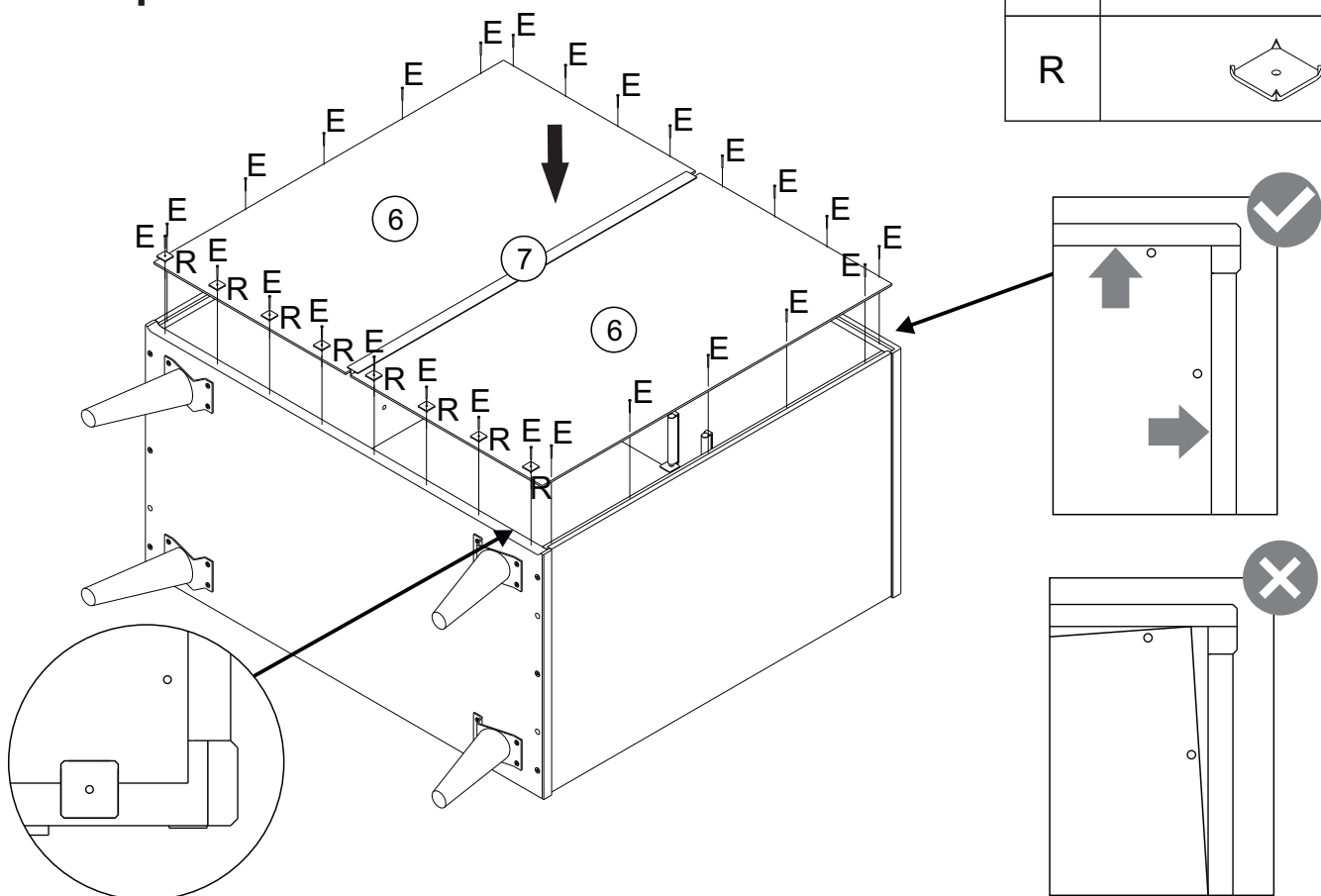
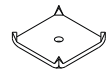
Secure parts (10,11) to part (4) using screw (B).

# Step 06

E



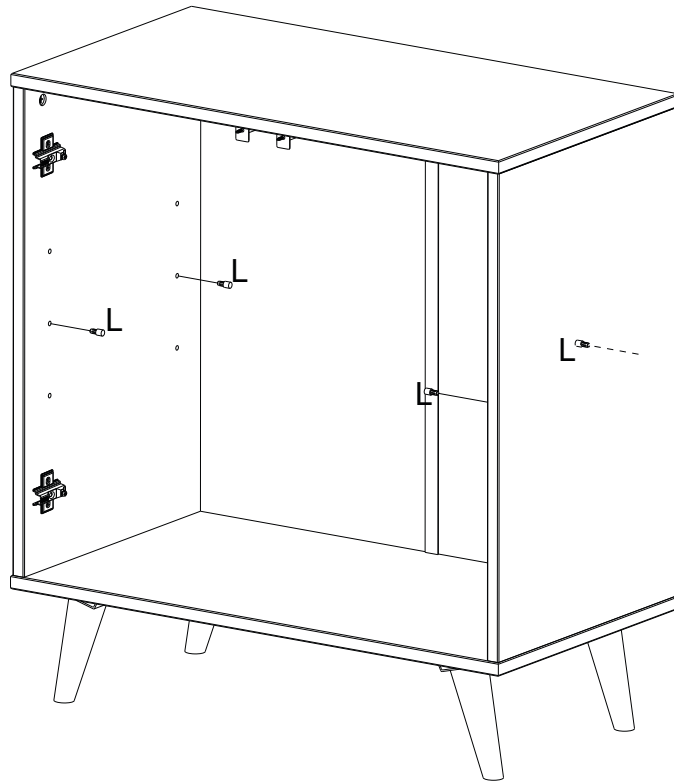
R



Fixing parts (6) to part (7) an attach using nail (E)

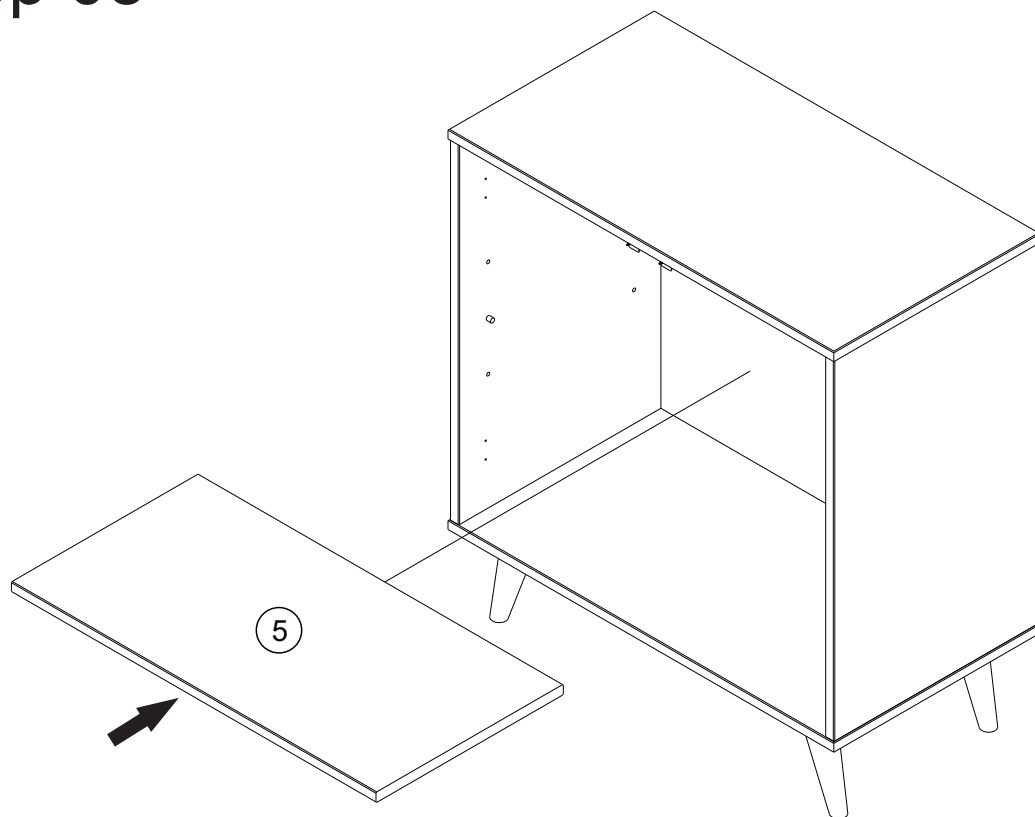
# Step 07

L



Fixing the shelf support (L)



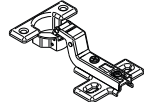
# Step 08

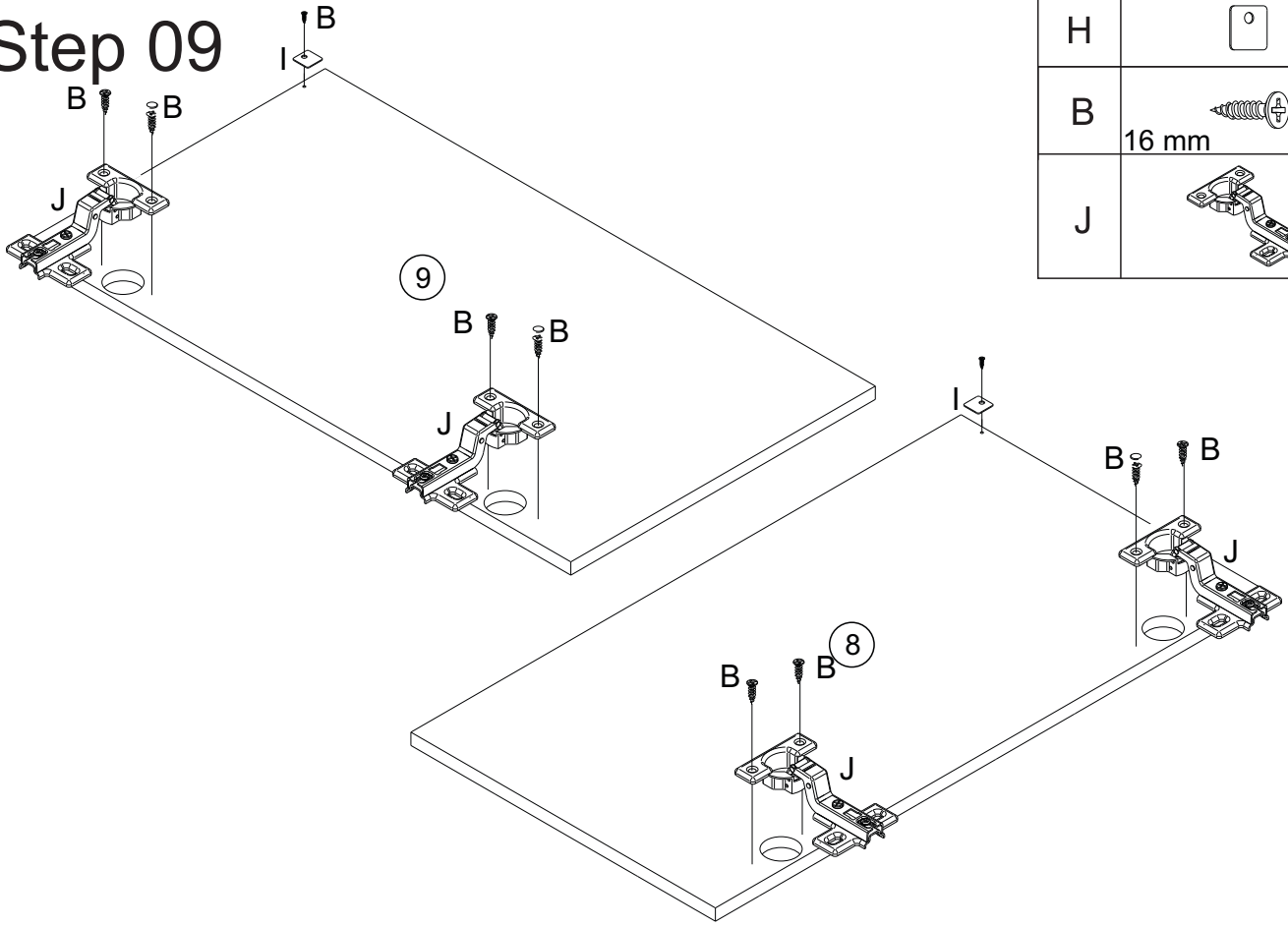


Insert part (5) on the shelf support (L)




# Step 09

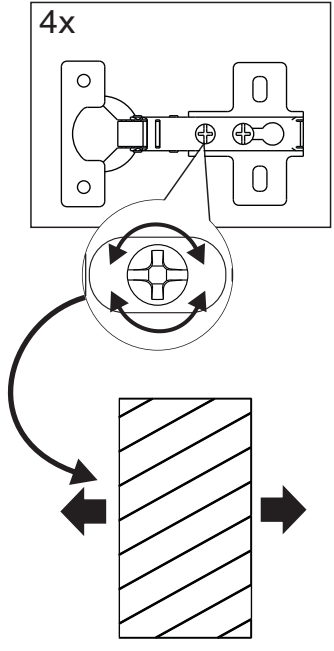
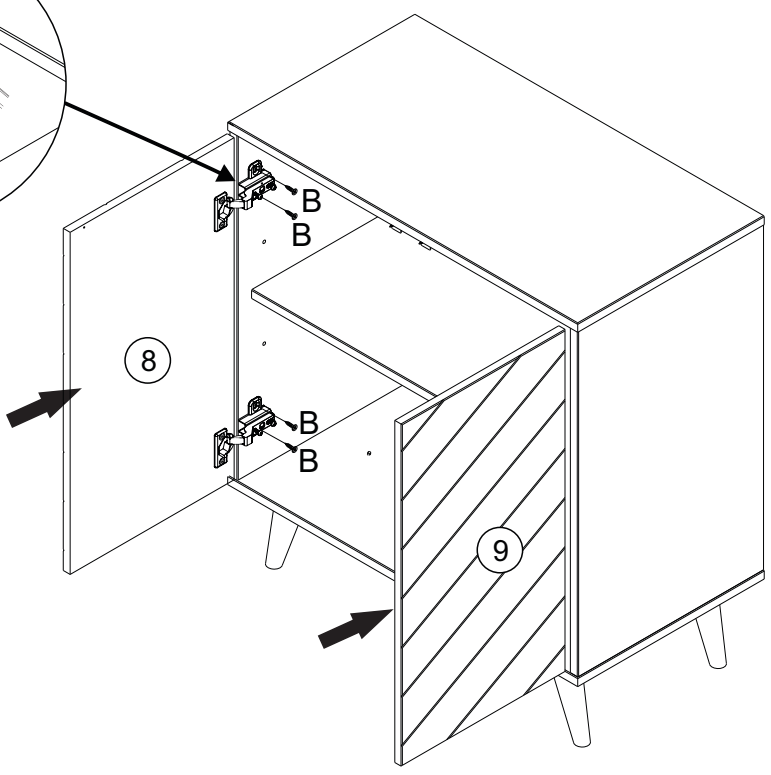
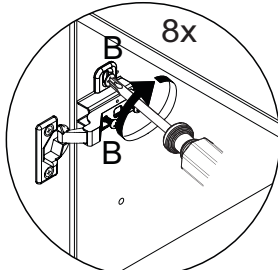
H	
B	 16 mm
J	



Attach de hinge soft close (4) using screw (B0).

# Step 10

B	 16 mm
---	--

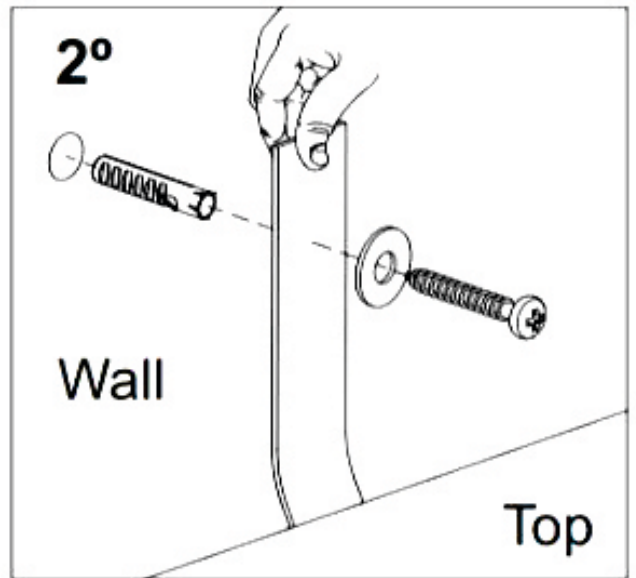
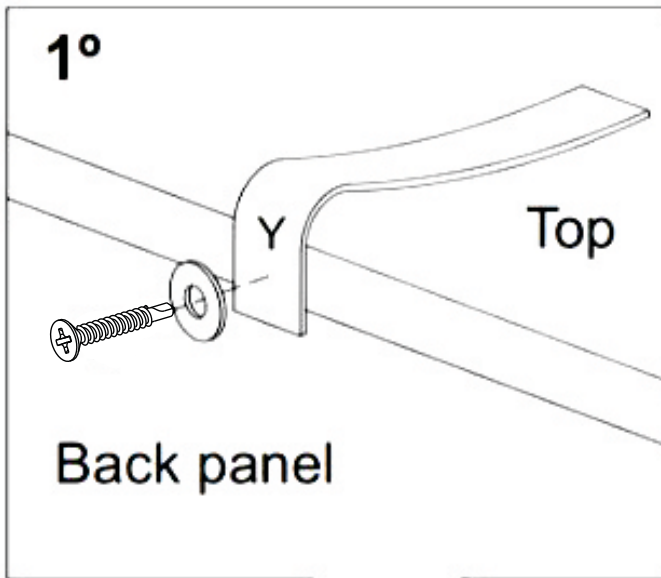


Attach de doors (8,9) using the hinge screw.


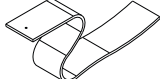

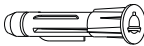

# WARNING

**Serious or fatal injuries can occur from furniture tipping over. To prevent the furniture from tipping over we recommend that it is permanently fixed to the wall.**

**Wall anchor and hardware are included with this product. please make sure hardware is suitable for your walls before installing, as different wall materials may require different types of anchors.**



### Hardware of Wall Anchor

 Ø3,5x20mm	01
	01
	02
	01
 Ø4,5x60mm	01

