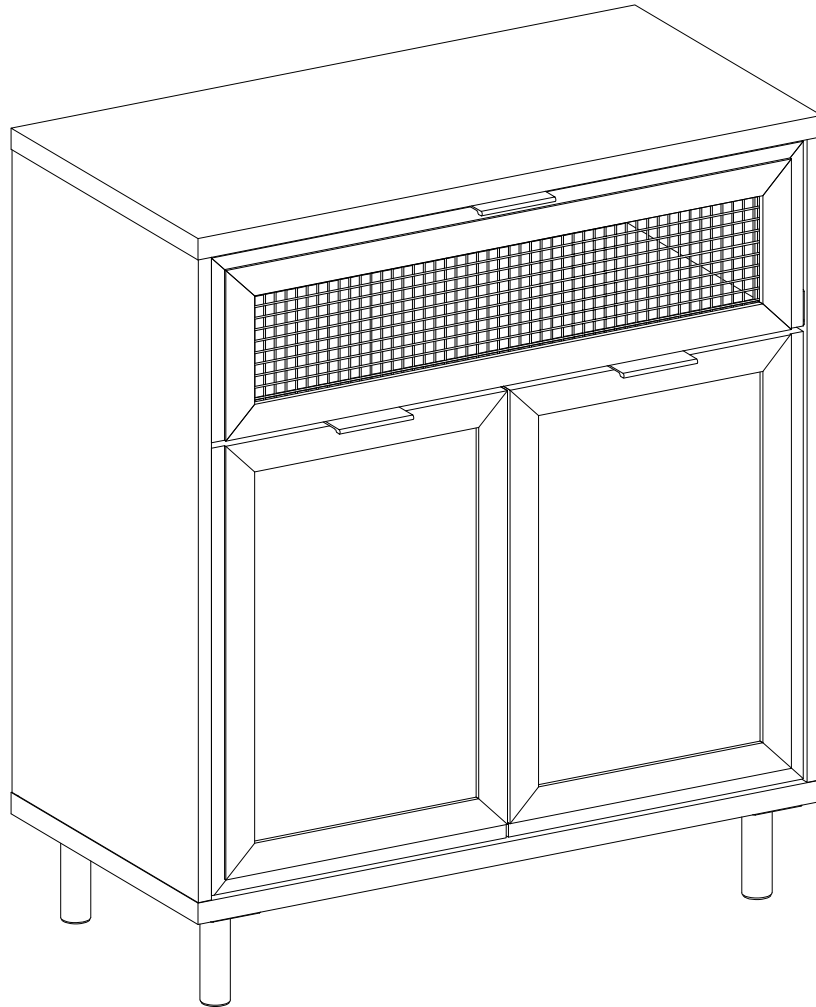


Item # : AF30JEN

Assembly Instructions



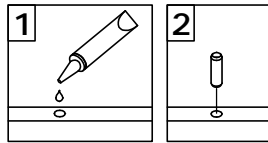
Walker Edison®

Please visit our website for the most current instructions, assembly tips, report damage, or request parts. www.walkeredison.com

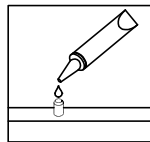
Revised 25/12/2019 (L)

General Assembly Guidelines

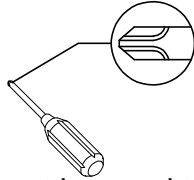
- I. Ensure that all parts and hardware are available before beginning assembly.
- II. Follow each step carefully to ensure the proper assembly of this product.
- III. Two people are recommended for ease in the assembly of this product.
- IV. The three main types of hardware used to assemble this product are: wood dowels, screws and bolts.
- V. The provided glue is to secure wood dowels in place. When first inserting dowels, locate the appropriate hole for the dowel, place a small amount of glue in the hole and insert the dowel. Wipe away excess glue immediately.



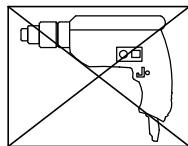
In future assembly steps when dowels are necessary to attach assembly parts together, place a small amount of glue on the end of the dowel before attaching parts together. Wipe away excess glue immediately.



- VI. A Phillips head screwdriver is required for the assembly of this product.

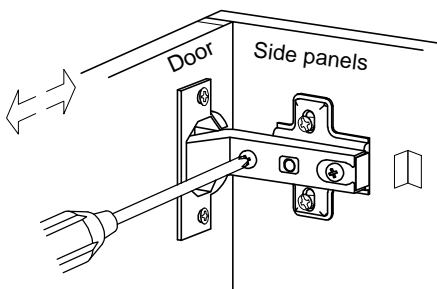


- VII. Power tools should not be used to assemble this product.

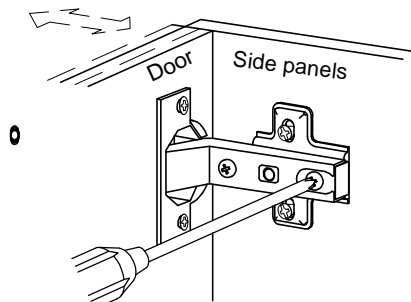


- VIII. Drill may be needed for securing product to wall.

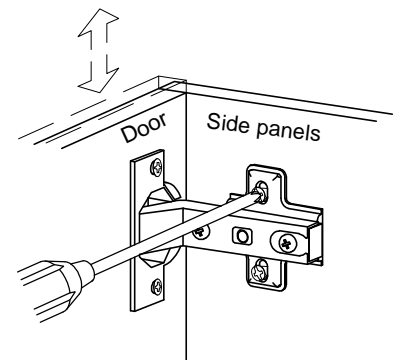
- IX. Concealed hinges are three-way adjustable.



Horizontal
by screw adjustment

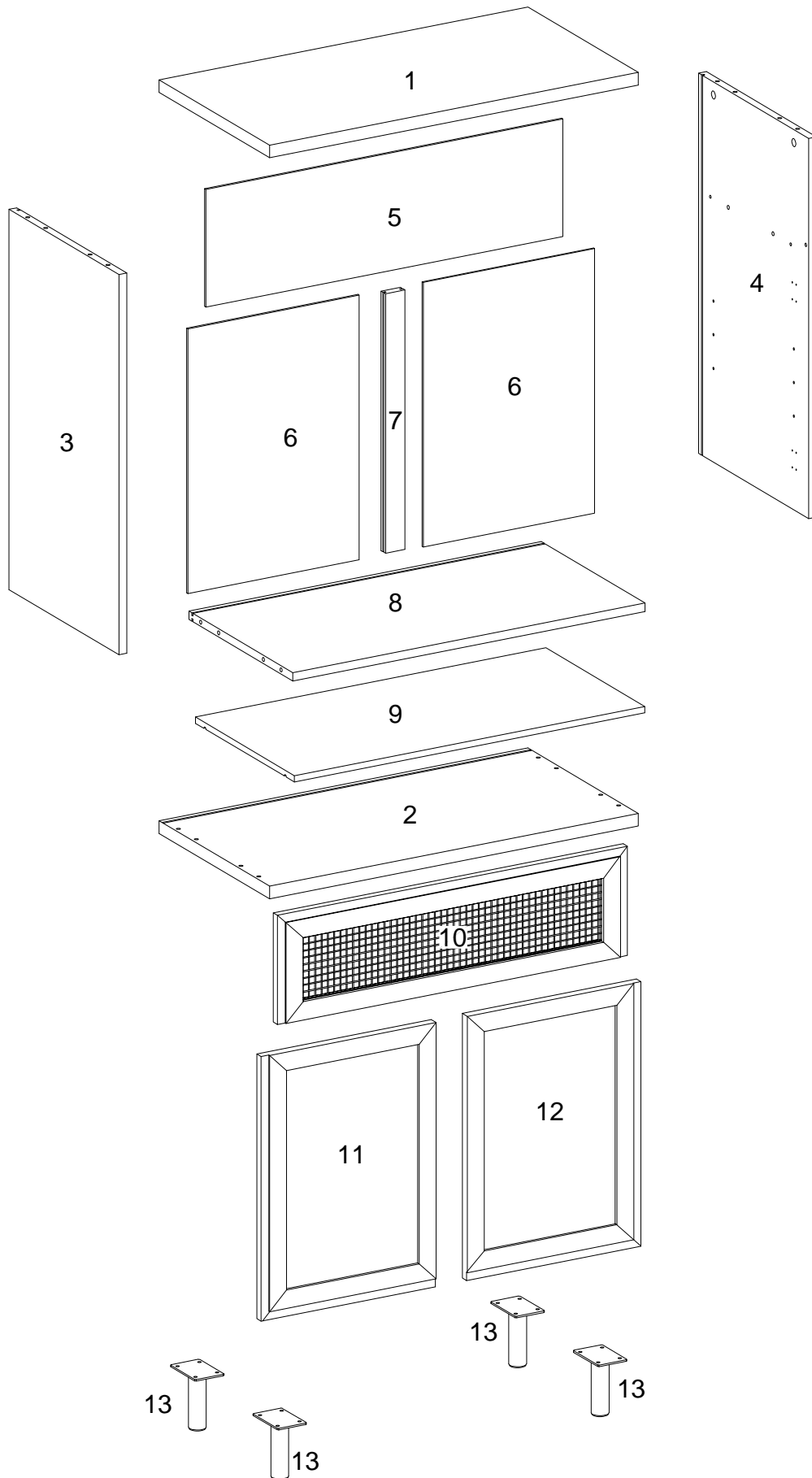


In-and-Out
by loosening the hinge-arm
mounting screw or via cam
adjustment





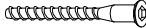


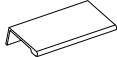
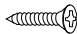

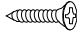

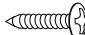

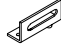




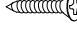


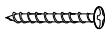
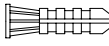
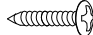
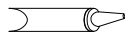


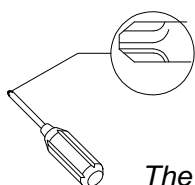
Vertical
Via slots in the mounting
plate or via cam adjustment

Parts List



Hardware List

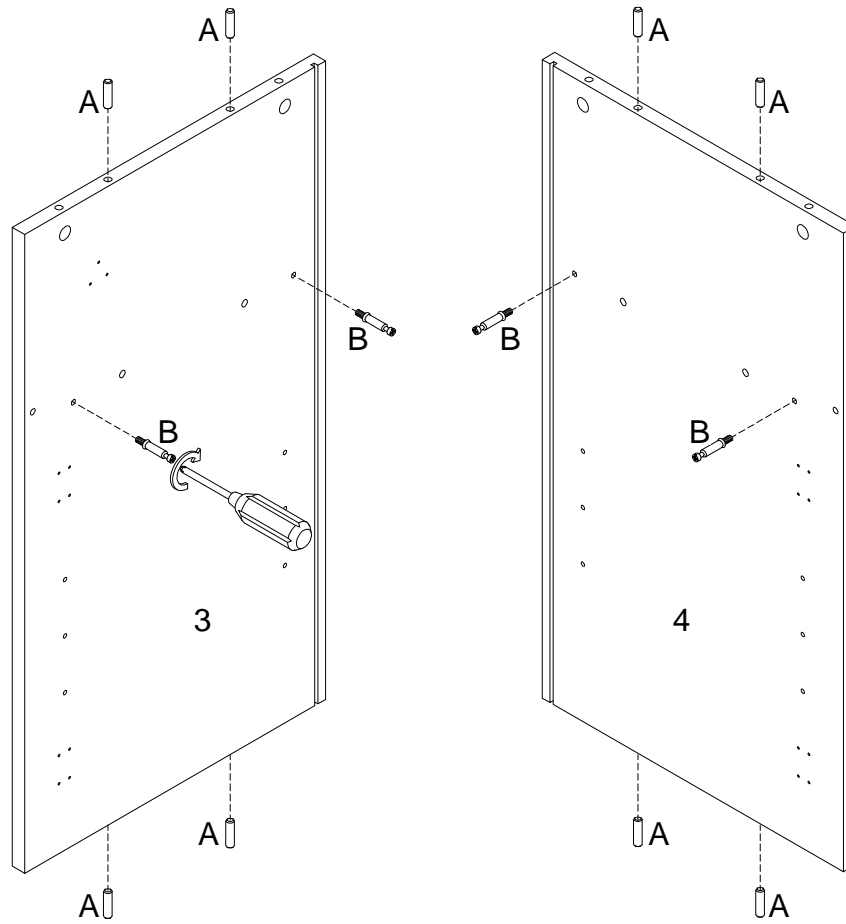
A		Ø8x30mm	Wooden dowel	12 pcs
B		Ø6x35mm	Cam bolt	8 pcs
C		Ø15x11mm	Cam lock	8 pcs
D			Sticker	8 pcs
E		Ø6x50mm	Bolt	4 pcs
F		M 4	Hex Key	1 pc
G		Ø6x12mm	Bolt	16 pcs
H			Handle	3 pcs
J		Ø3x12mm	Screw	6 pcs
K			Plastic wedge	12 pcs
L		Ø3x17mm	Screw	12 pcs
M			Shelf support pin	4 pcs
N		Ø3x14mm	Screw	6 pcs
P			Door Hinge	1 pc
Q			Door Hinge	1 pc
R			Plastic pivot	2 pcs
S			Bolt	1 pc
T			Door stopper	1 pc
U			Europe Hinge	4 pcs
V		Ø3.5x14mm	Screw	29 pcs
W			Door hinge	1 pc
X			Velcro strap	1 pc
Y		Ø4x25mm	Screw	1 pc
Z			Plug	1 pc
AA		Ø4*12mm	Screw	1 pc
BB			Glue tube	1 pc



Philips head screwdriver required for assembly
(not included)

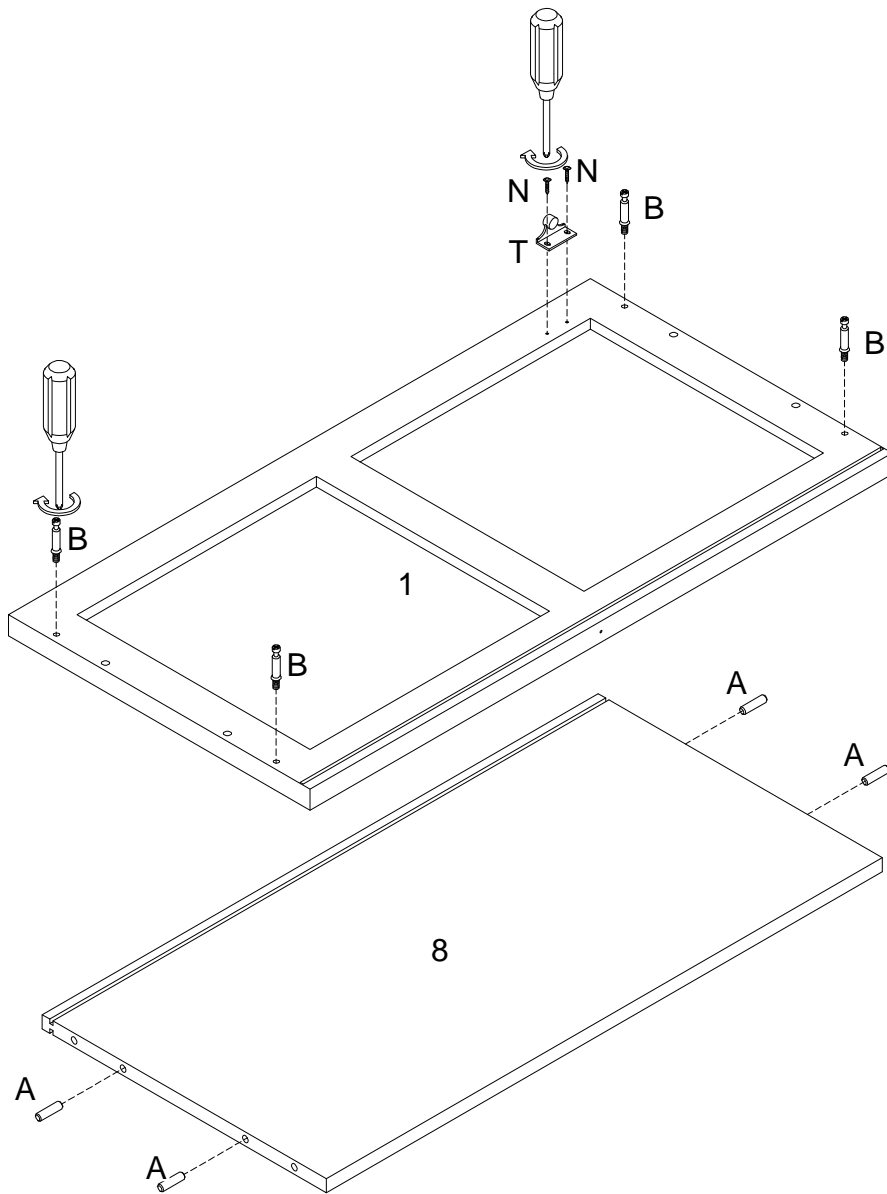
*The hardware quantities listed above are required for proper assembly.
Some extra hardware may also have been included.*

Step 1



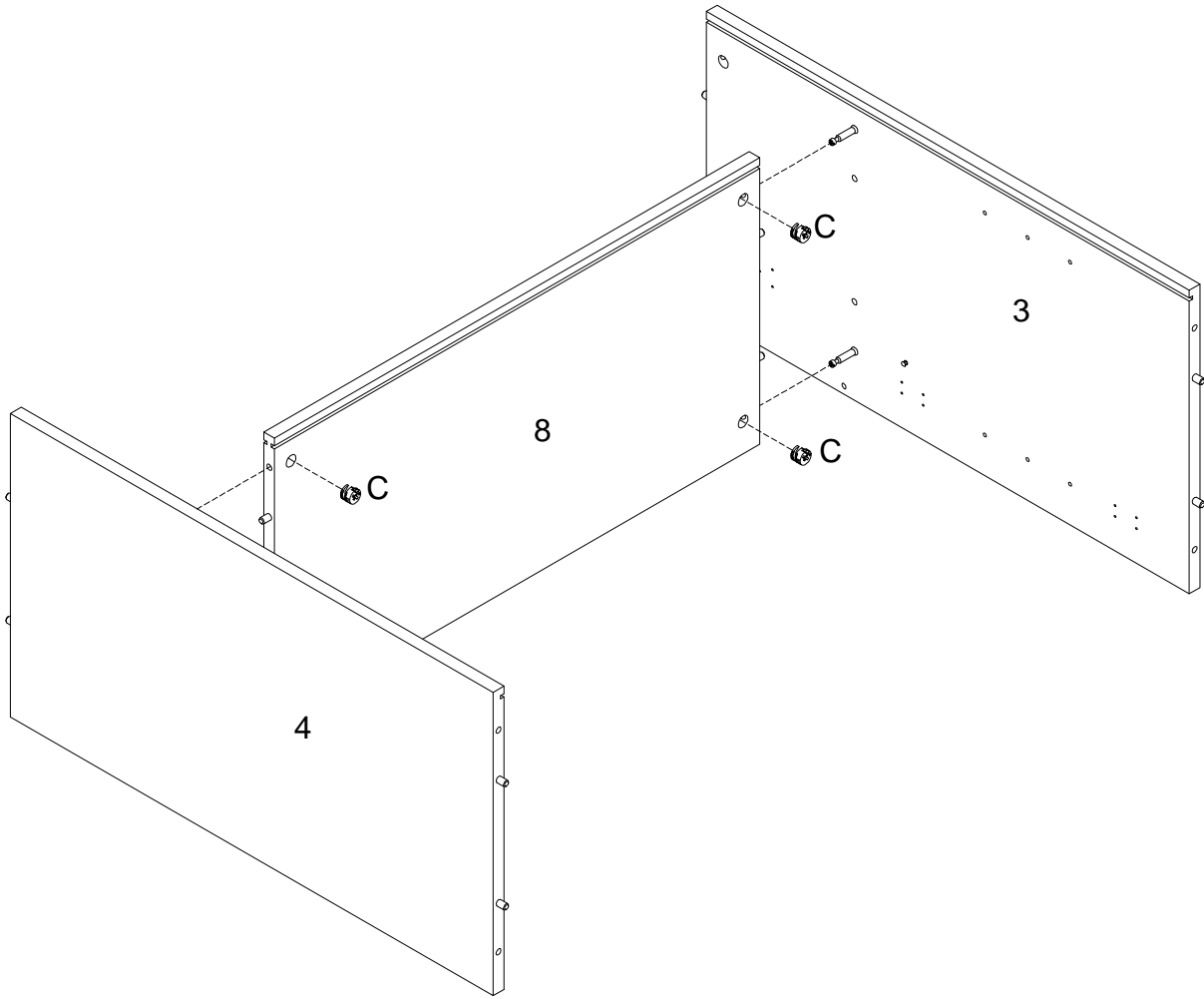
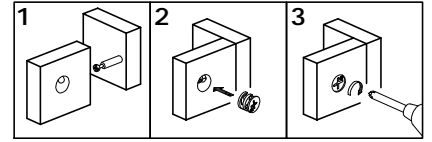
Insert wooden dowel (A) into parts (3,4) ,then secure cam bolt (B) into parts (3,4) with Philips head screwdrivers per diagram.

Step 2



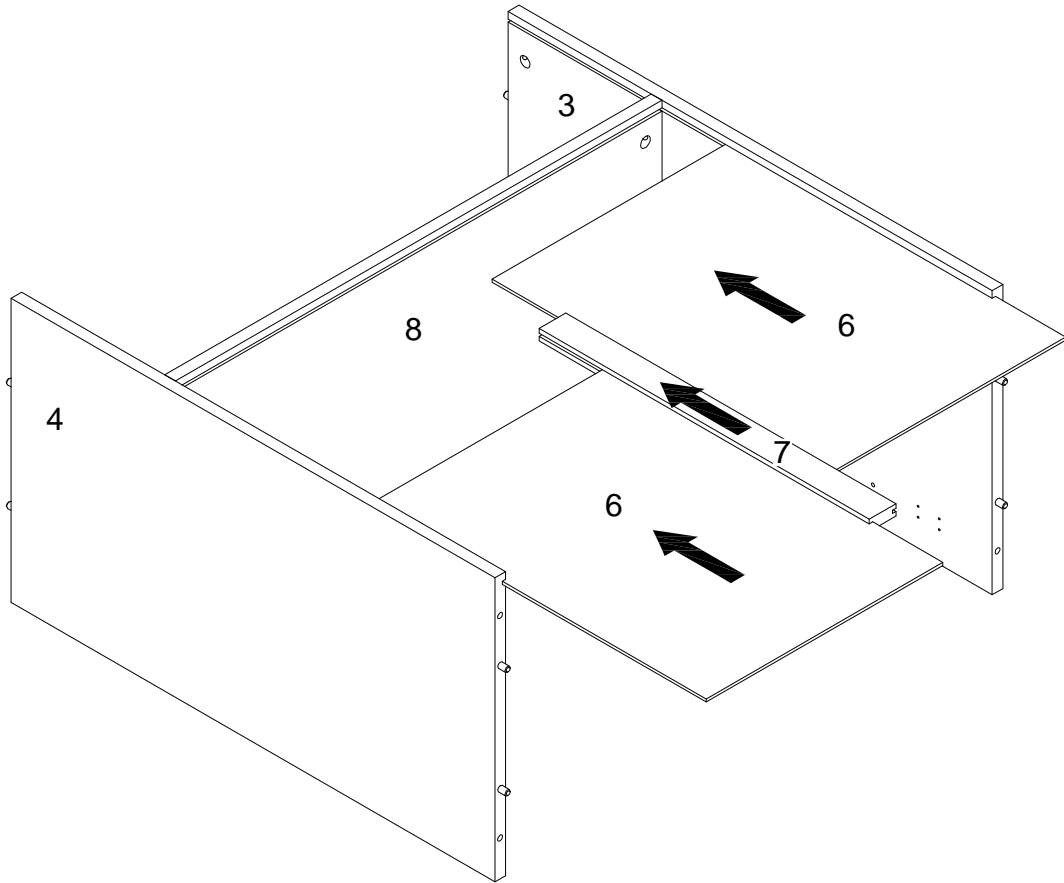
Insert wooden dowel (A) into part (8), then using screw (N) attach door stopper (T) to part (1), secure can bolt (B) to part (1) with Philips head screwdriver as per diagram.

Step 3



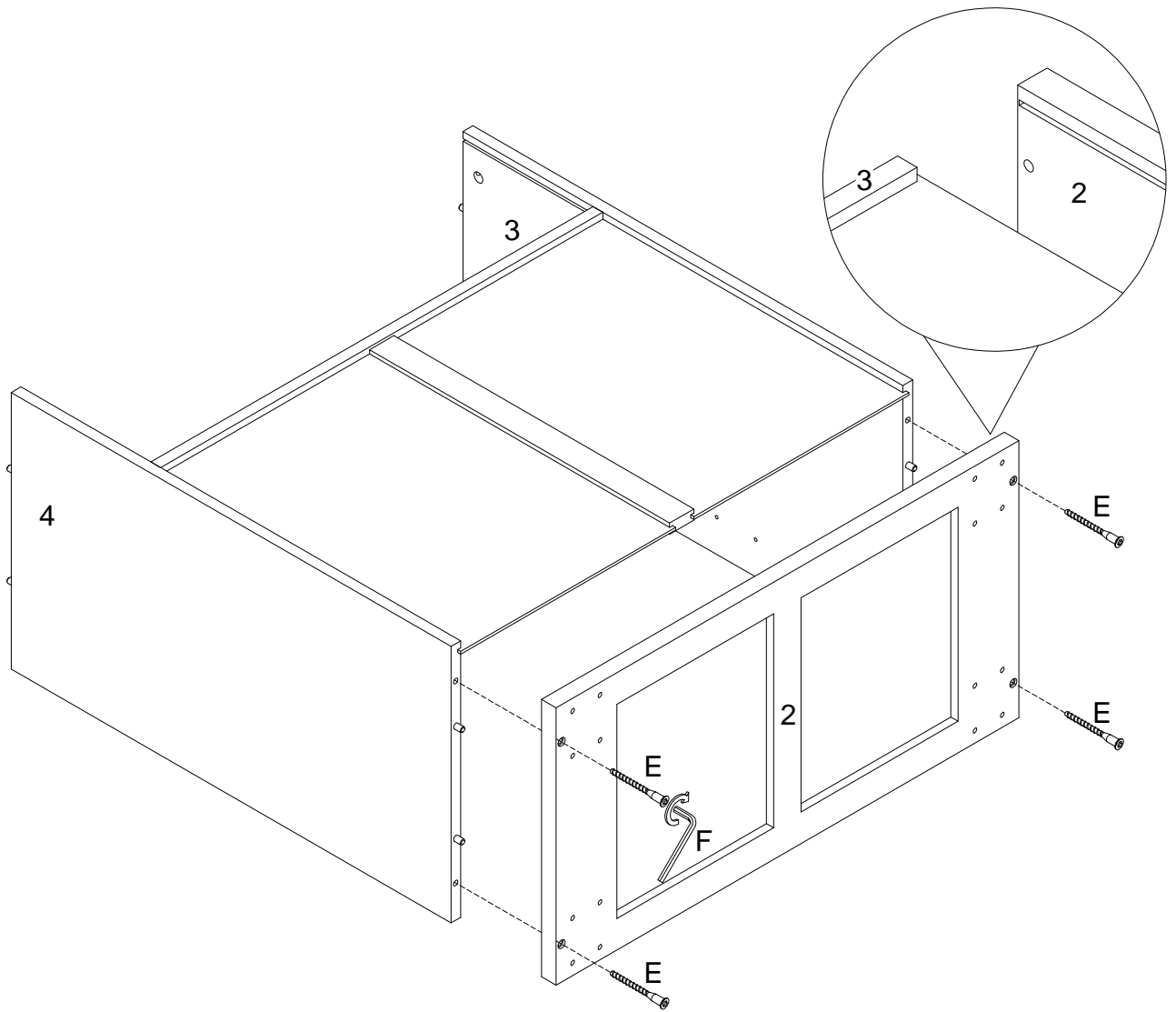
Using cam lock(C) secure parts (3,4) to part (8) with Philips head screwdriver as per diagram.

Step 4



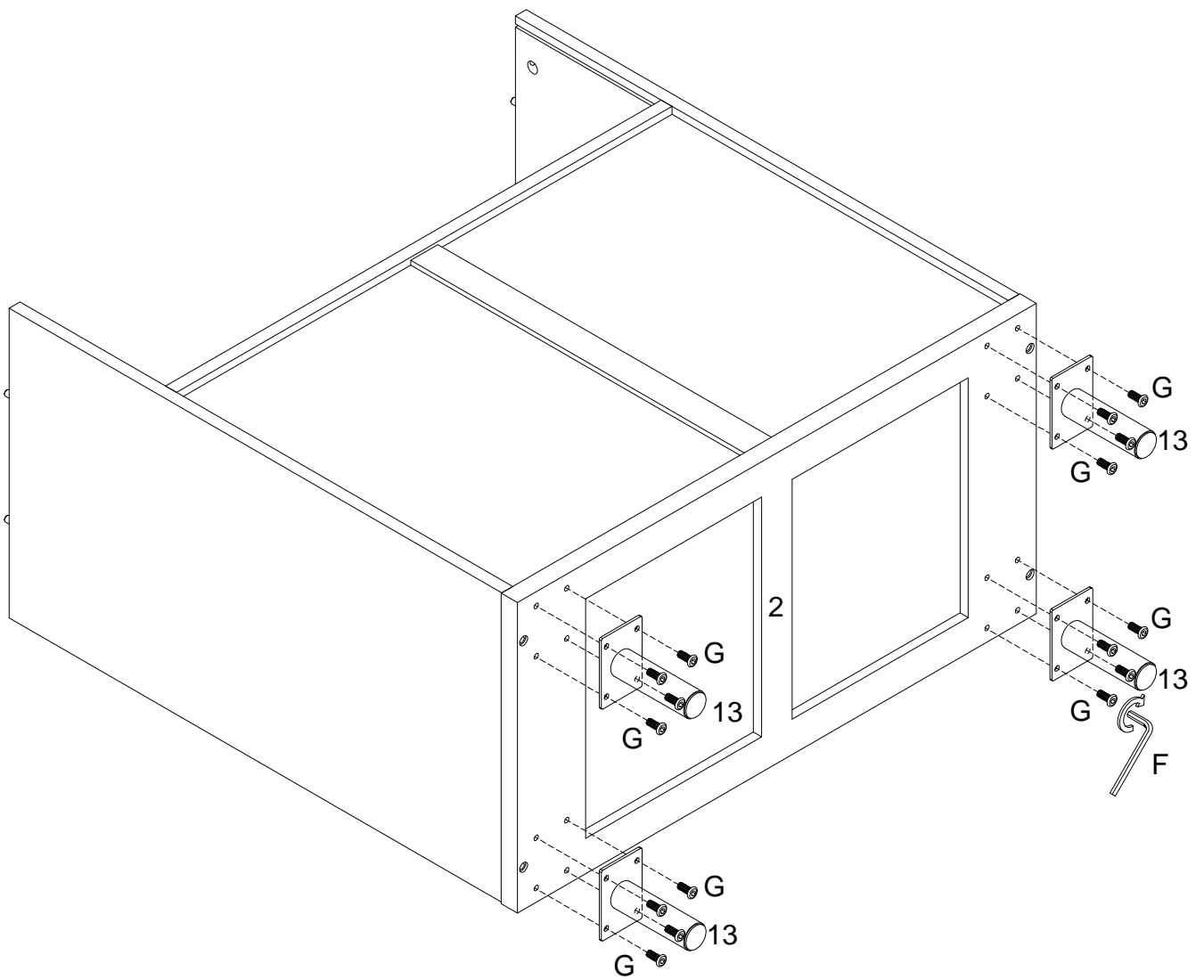
Put parts (6,7) as per diagram.

Step 5



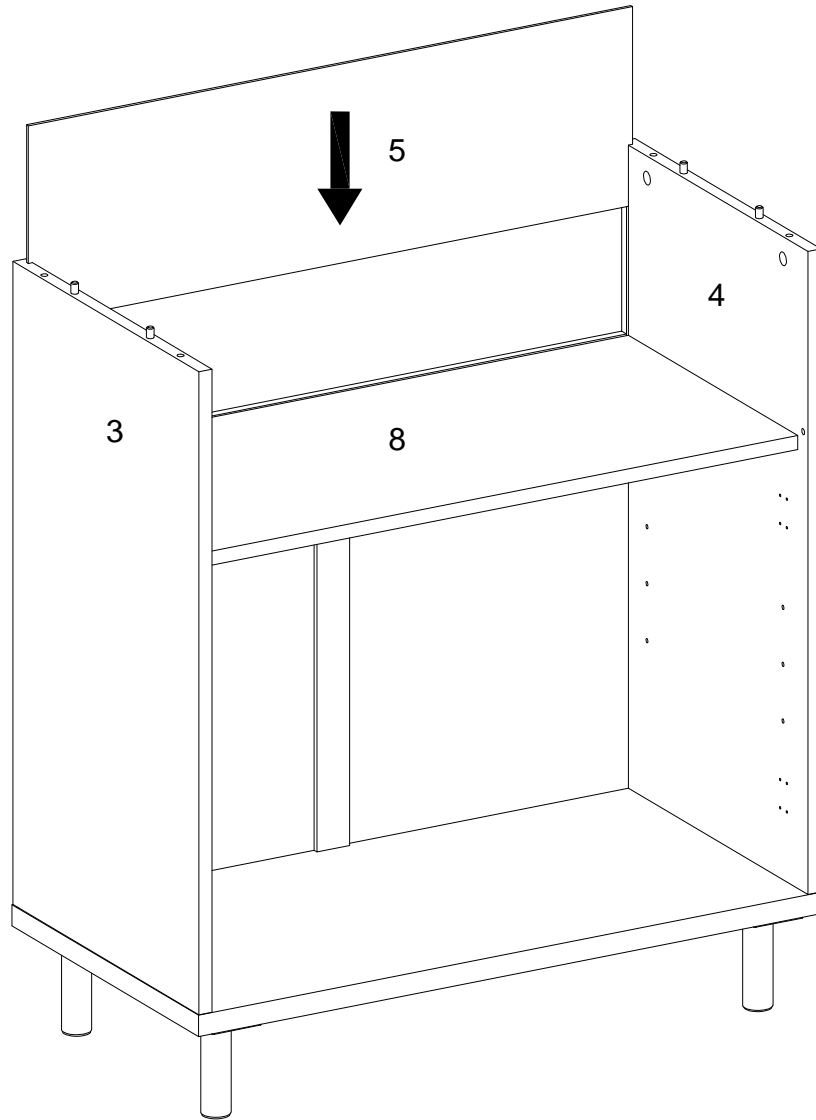
Using screw (E) attach part (2) into parts (3,4) with hex key (F) as per diagram.

Step 6



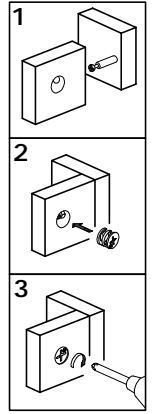
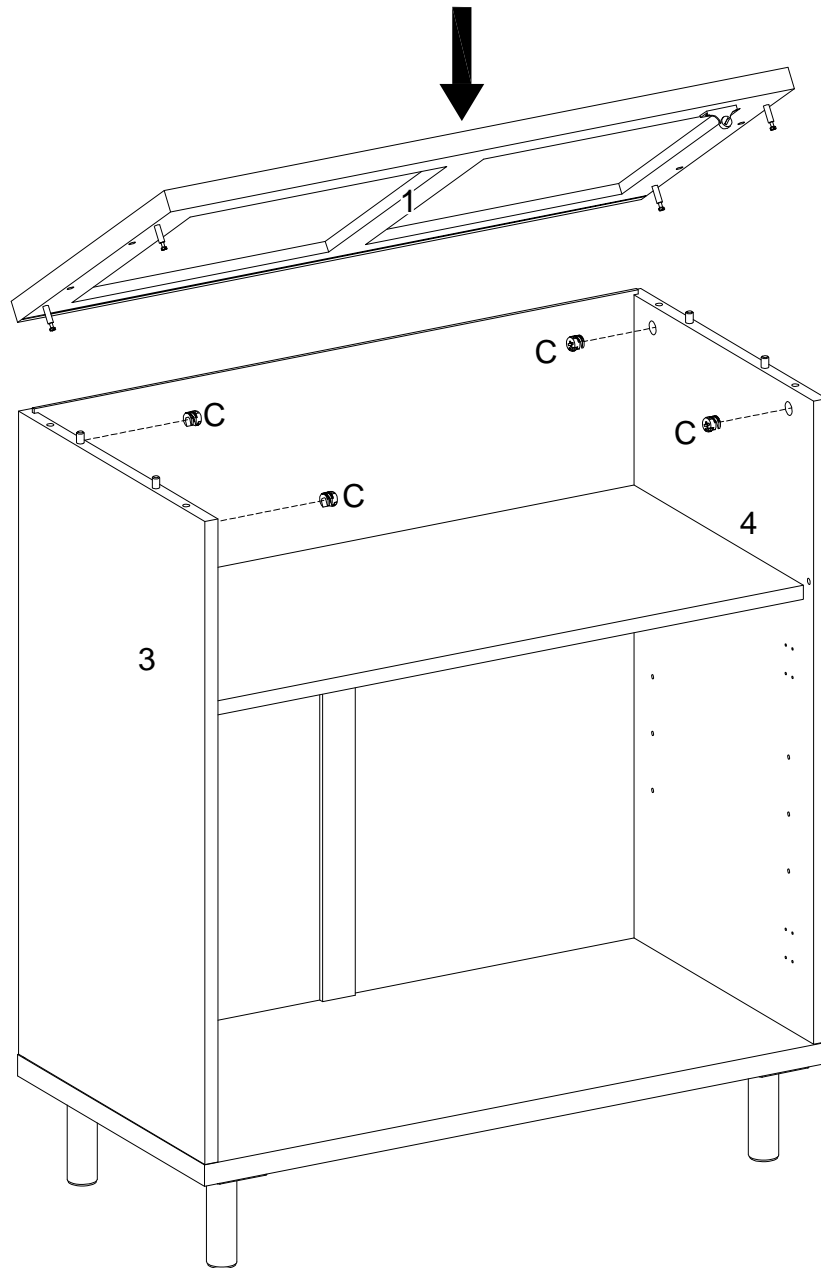
Using bolt (G) attach part (13) to part (2) with hex key (F) as per diagram.

Step 7



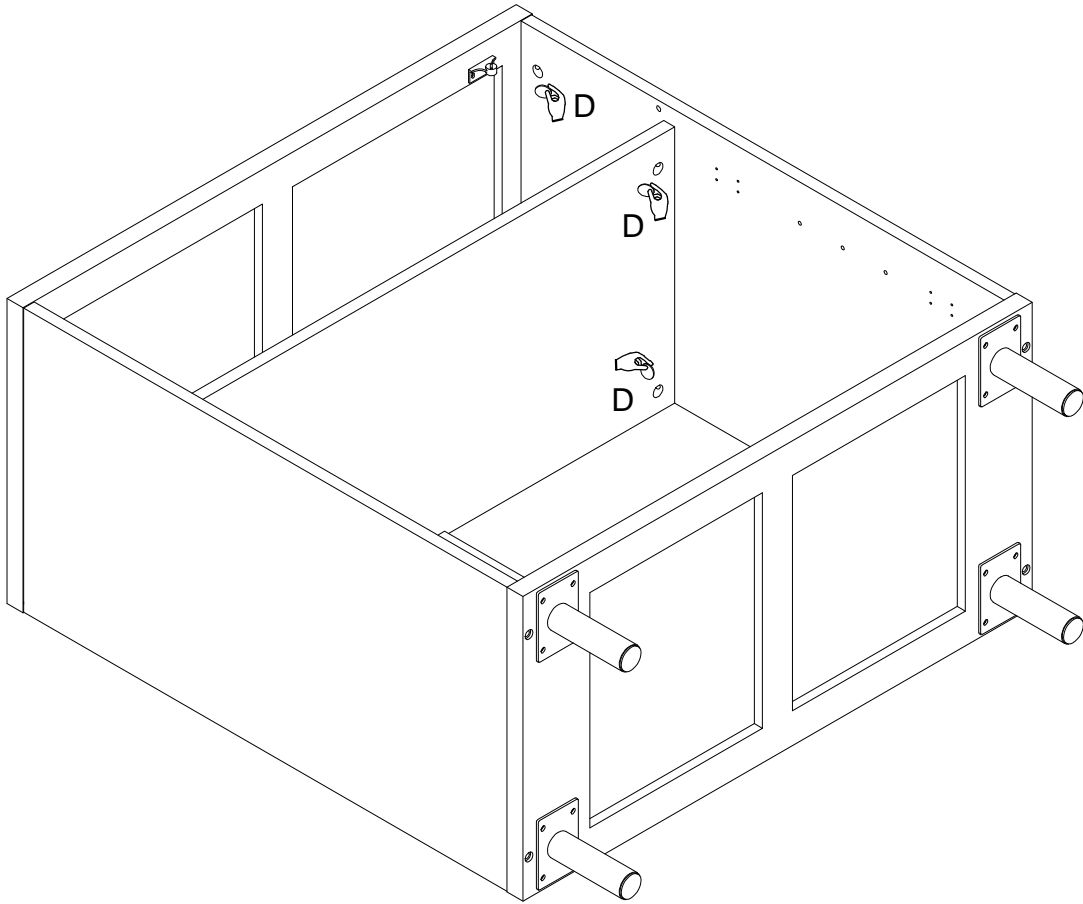
Put part (5) as per diagram.

Step 8



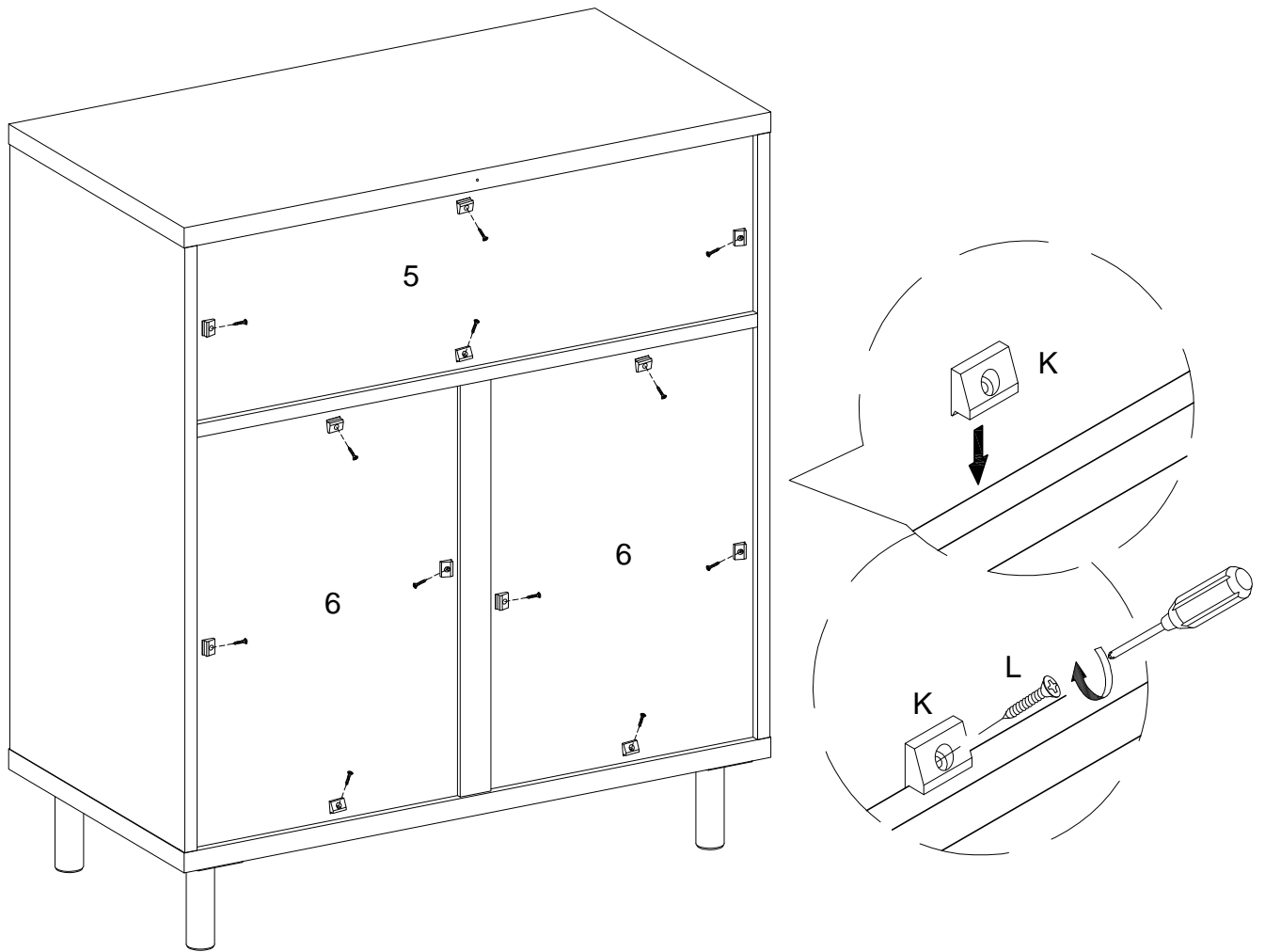
Using cam lock (C) secure part (1) into parts (3,4) with Philips head screwdriver as per diagram.

Step 9



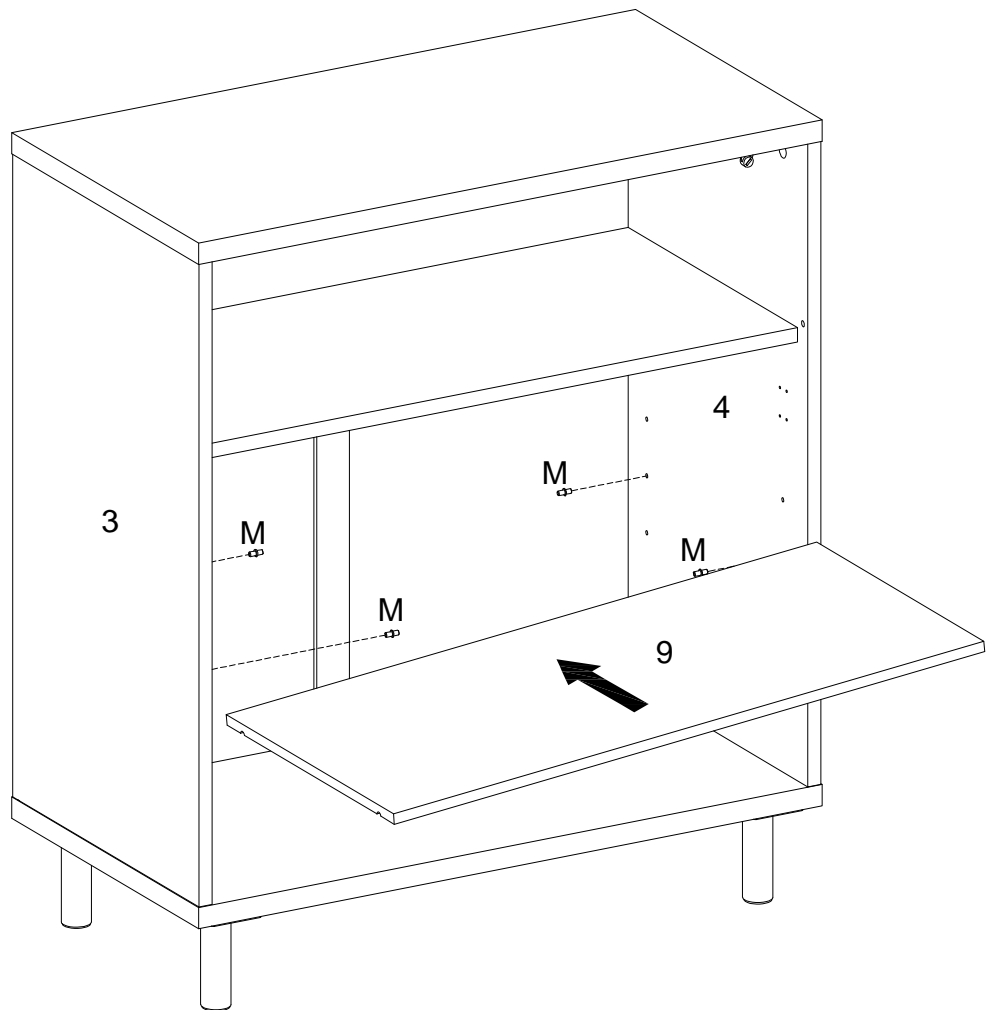
Place sticker (D) cover the holes as per diagram .

Step 10



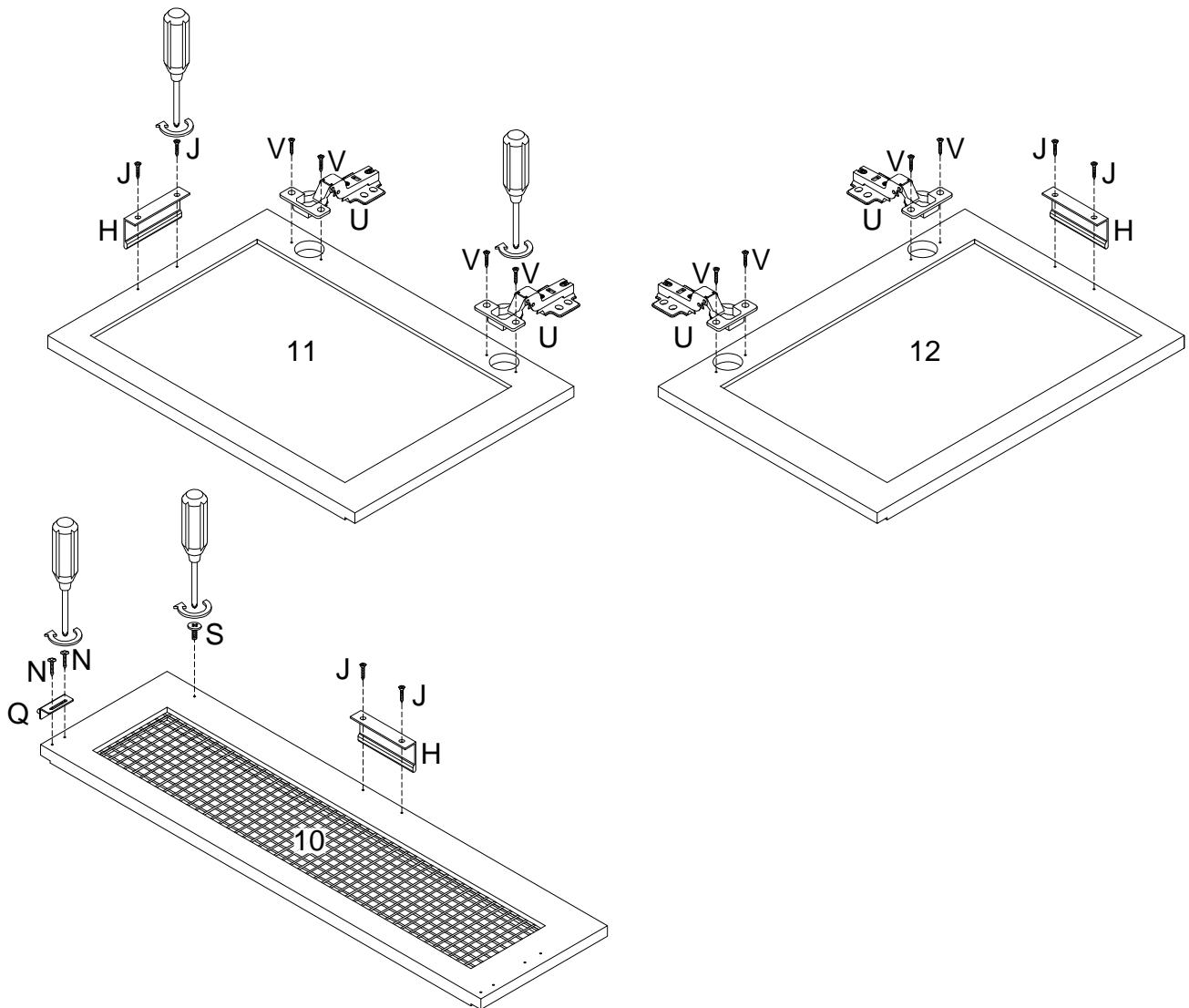
Using screw (L) secure plastic wedge (K) with Philips head screwdriver as per diagram.

Step 11



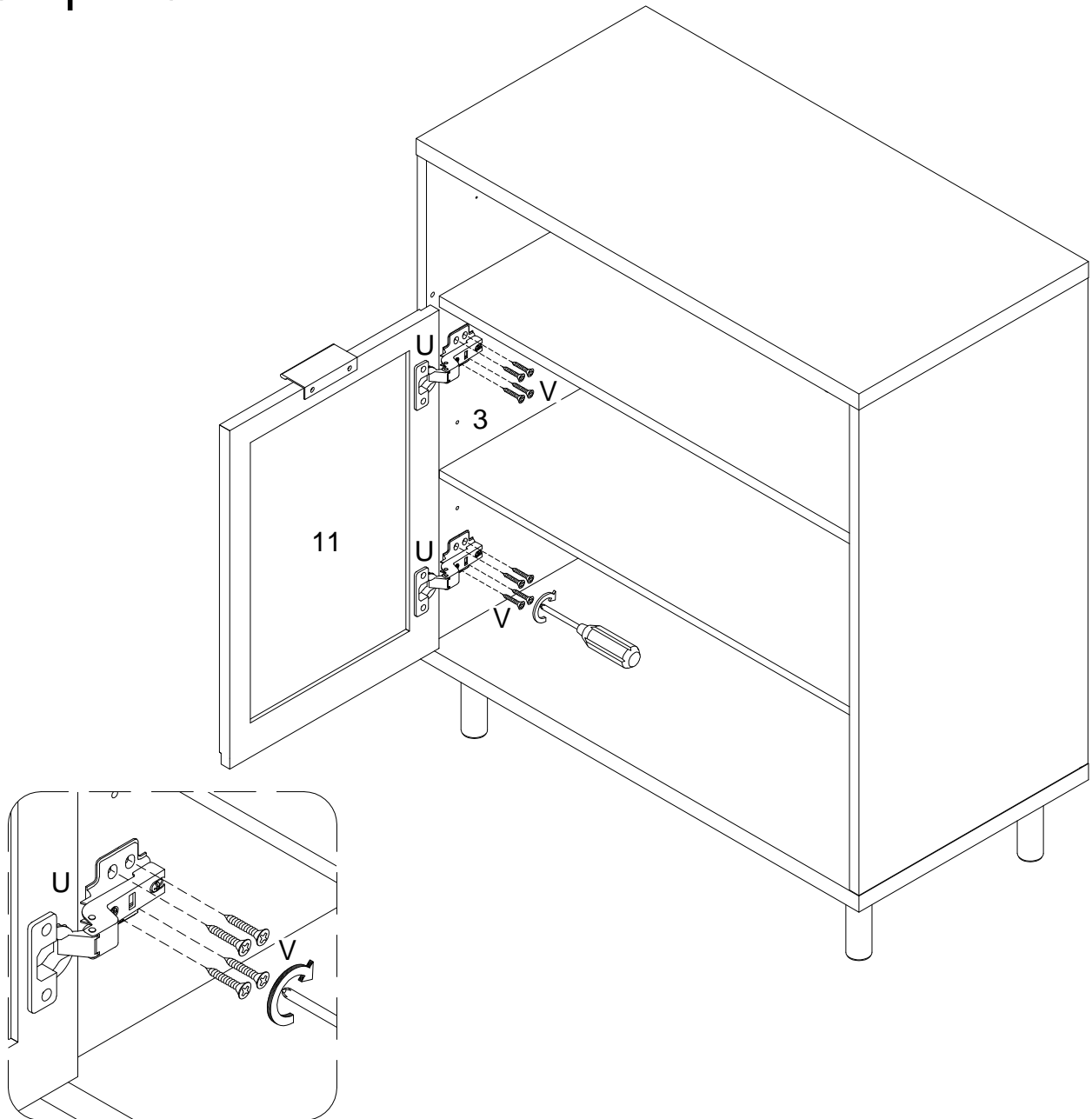
Insert shelf support pin (M) into parts (3,4) as per diagram. Make sure you place the four shelf support pins (M) in the same level. So the shelf is not titled .Put part (9) into unit as per diagram. Tilt and rest the adjustable shelf (9) onto the shelf support pins .

Step 12



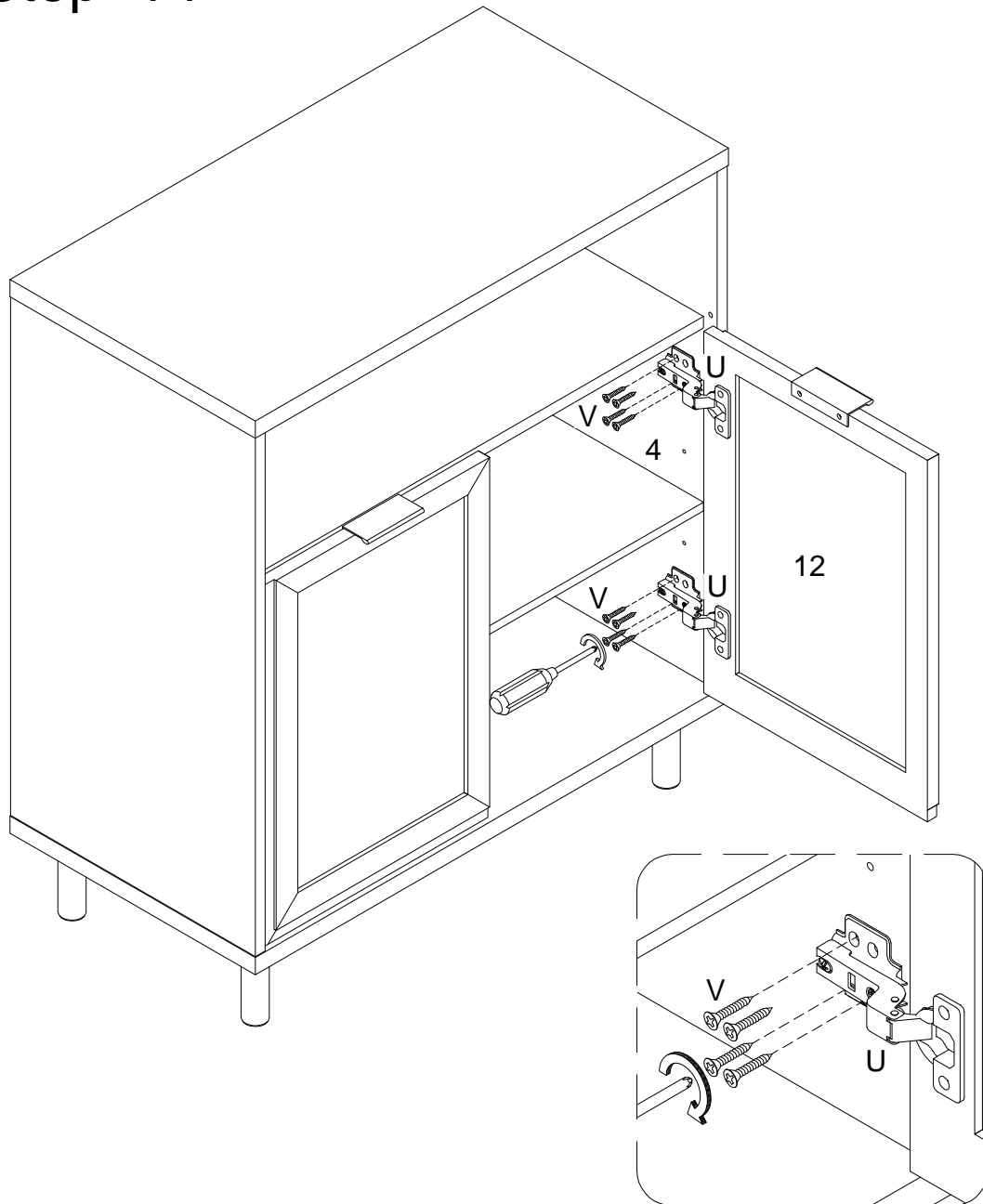
Using screw (V) attach Europe hinge (U) to parts(11,12),screw (J) attach handle (H) to parts(10,11,12),secure bolt (S) into part (10),using screw (N)attach door hinge (Q) to part (10) with Philips head screwdriver as per diagram.

Step 13



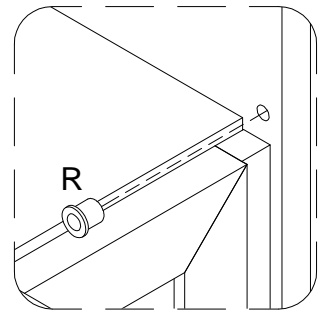
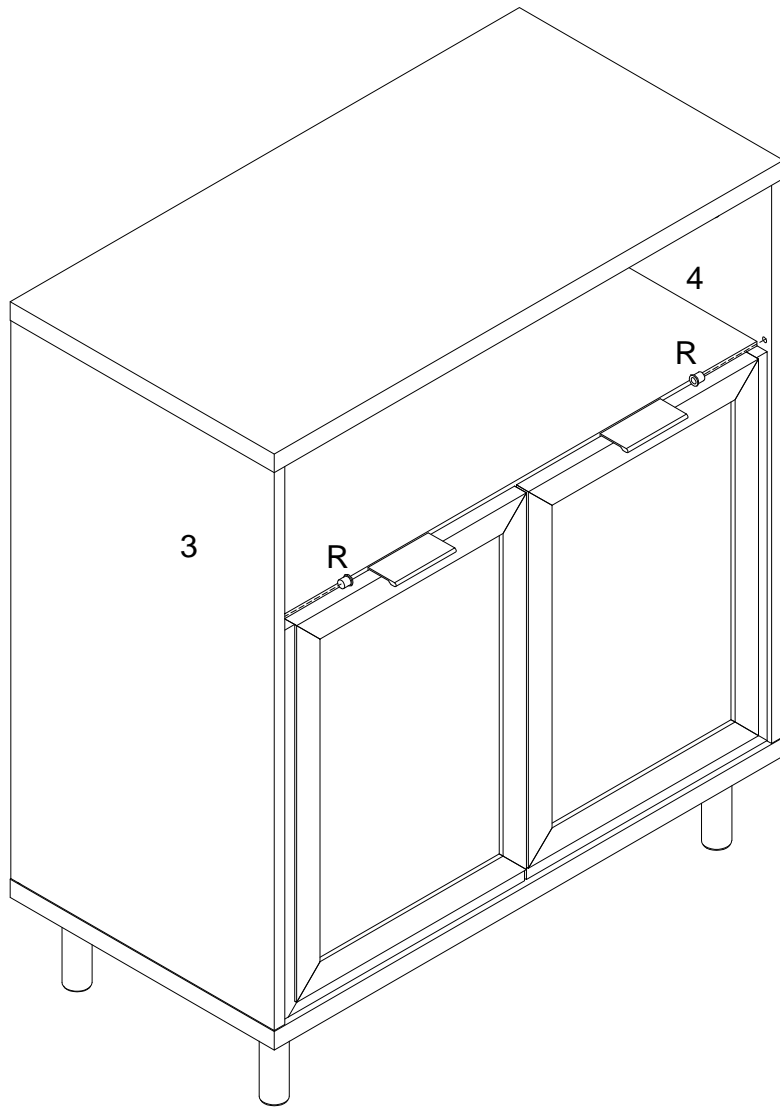
Using screw (V) attach Europe hinge (U) into part (3) with Philips head screwdriver as per diagram.

Step 14



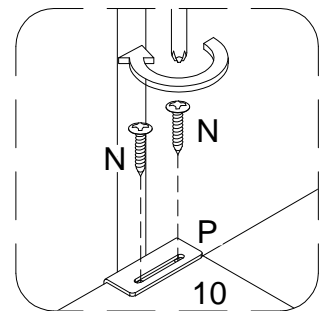
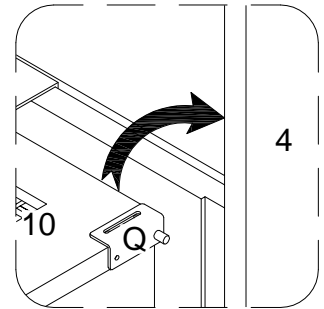
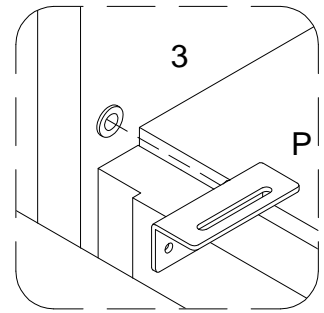
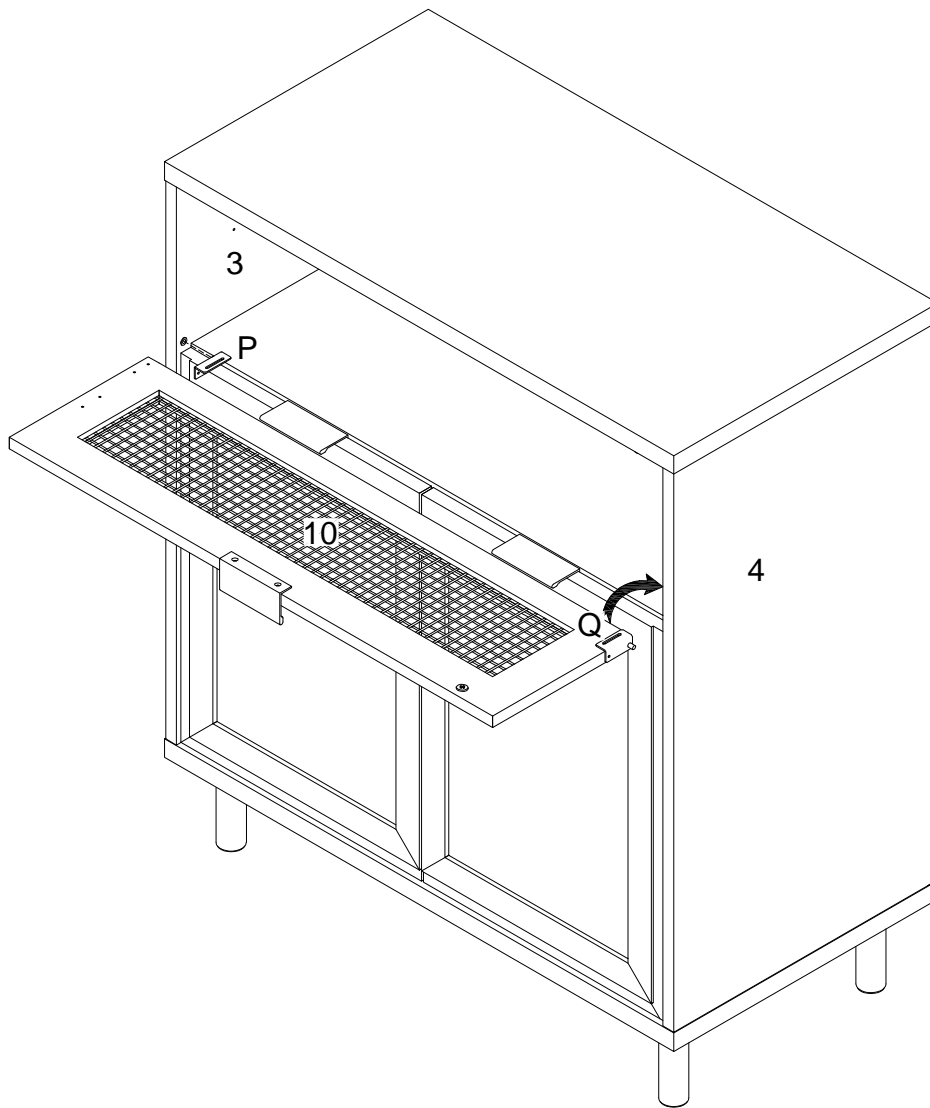
Using screw (V) attach Europe hinge (U) into part (4) with Philips head screwdriver as per diagram.

Step 15



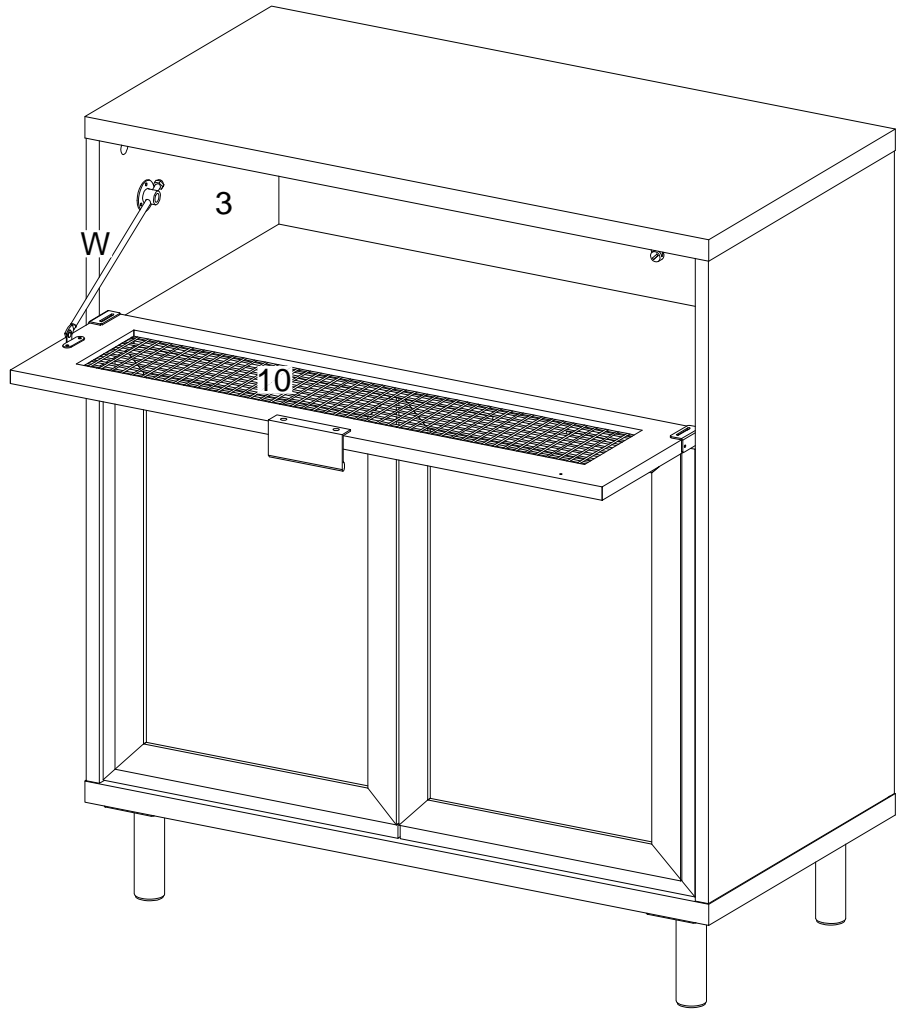
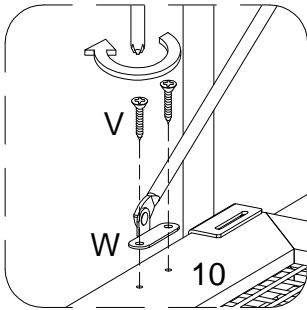
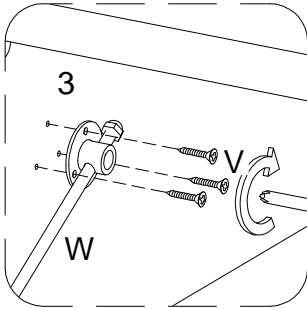
Insert Plastic pivot (R) into parts (3,4) as per diagram.

Step 16



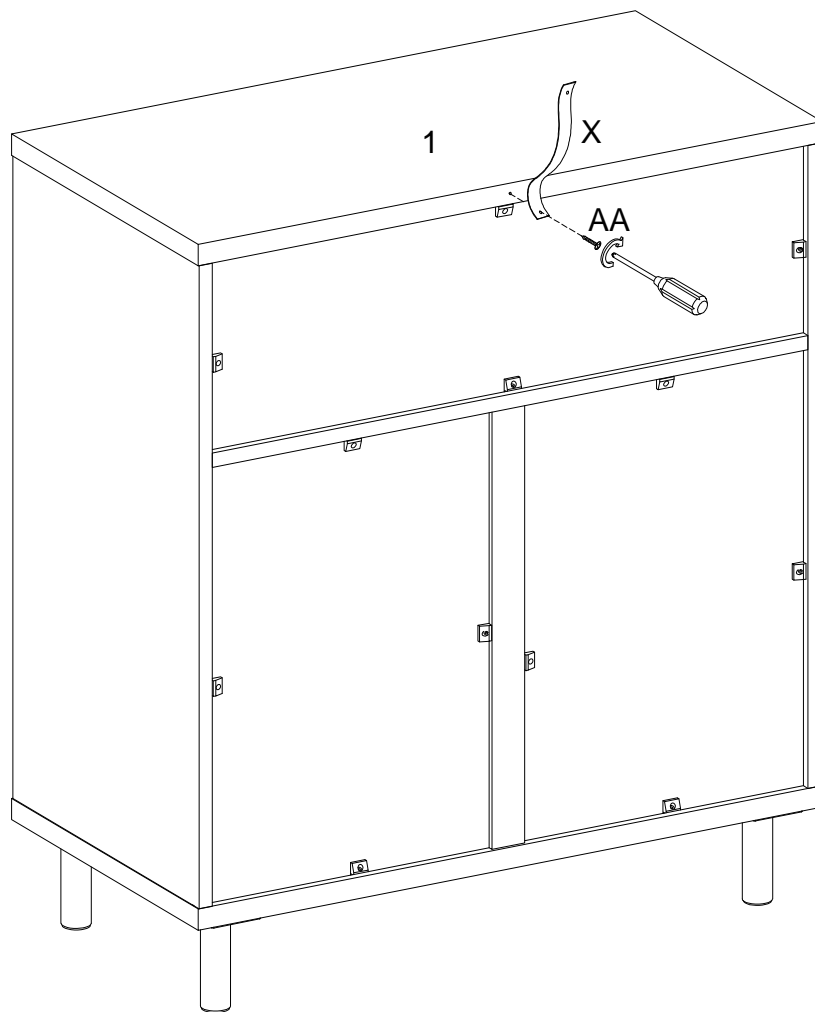
Pick up the door (10), fit up the door hinge (P,Q) into plastic pivot (R), then using screw (N) secure door hinge (P) to part (10) with Philips head screwdriver as per diagram.

Step 17



Using screw (V) attach door hinge (W) into parts (10,3) with Philips head screwdriver as per diagram.

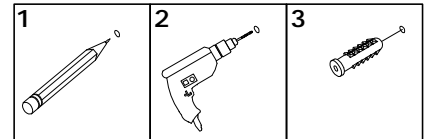
Step 18



Using screw (AA) attach Velcro strap (X) into part (1) with Philips head screwdriver as per diagram.

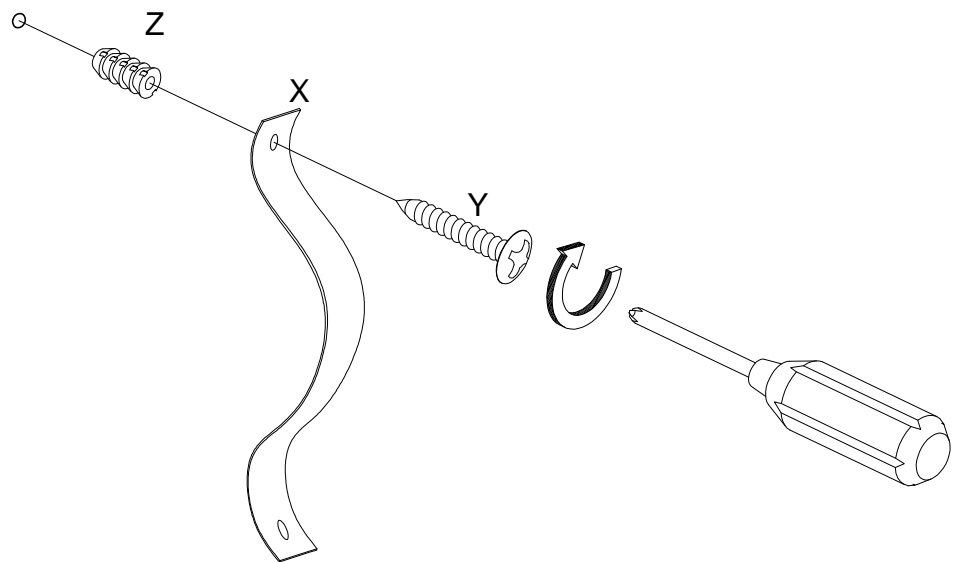
Step 19

WARNING



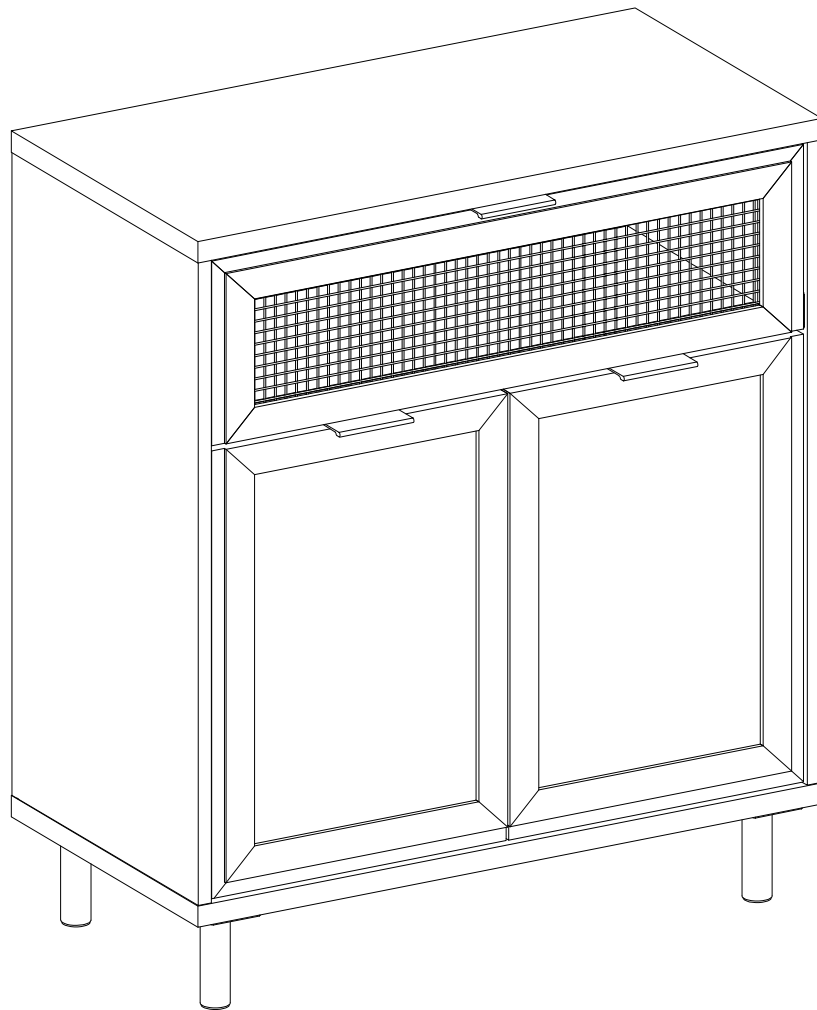
Serious or fatal injuries can occur from furniture tipping over. To prevent the furniture from tipping over we recommend that it is permanently fixed to the wall. Wall anchor and hardware are included with this product. Please make sure hardware is suitable for your walls before installing, as different wall materials may require different types of anchors.

Wall



Using screw (Y) attach Velcro strap (X) into Nut (Z) to wall with Philips head screwdriver as per diagram.

Step 20



Final Assembly