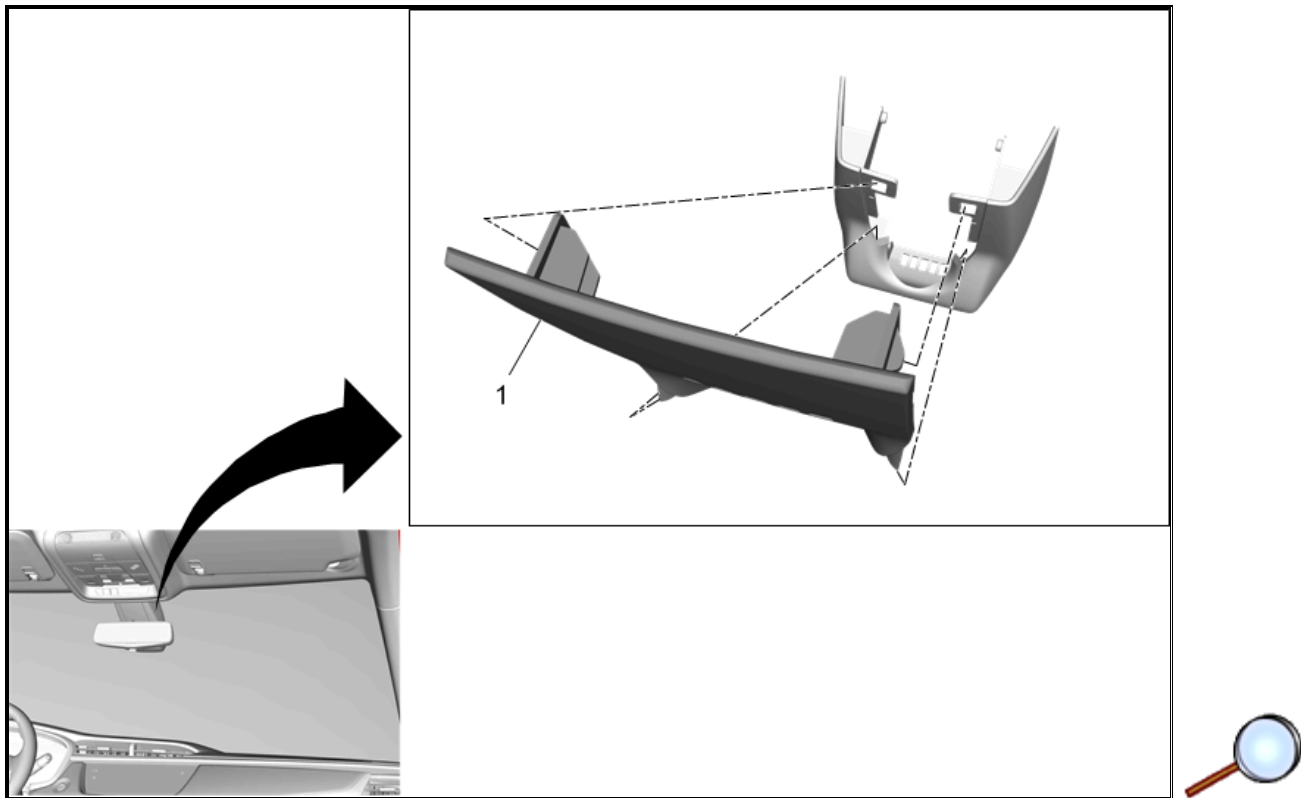


Windshield Multifunction Sensor Mount Bracket Cover Insert Replacement (With UHX)



Windshield Multifunction Sensor Mount Bracket Cover Insert Replacement

Callout	Component Name
1	<p>Windshield Multifunction Sensor Mount Bracket Cover Insert</p> <p>Warning: While operating, electrical control modules can produce heat and become hotter than their surroundings. To prevent burns allow sufficient time for the module to cool before removal.</p> <p>Procedure</p> <ol style="list-style-type: none"> Using a plastic trim tool, carefully pry downward on the cover to release from windshield. Squeeze tabs on insert and pull apart from cover. <p>Note: The windshield multifunction sensor mount bracket cover and cover insert has to be removed as a single unit from the windshield surface to prevent damage to mirror.</p>

