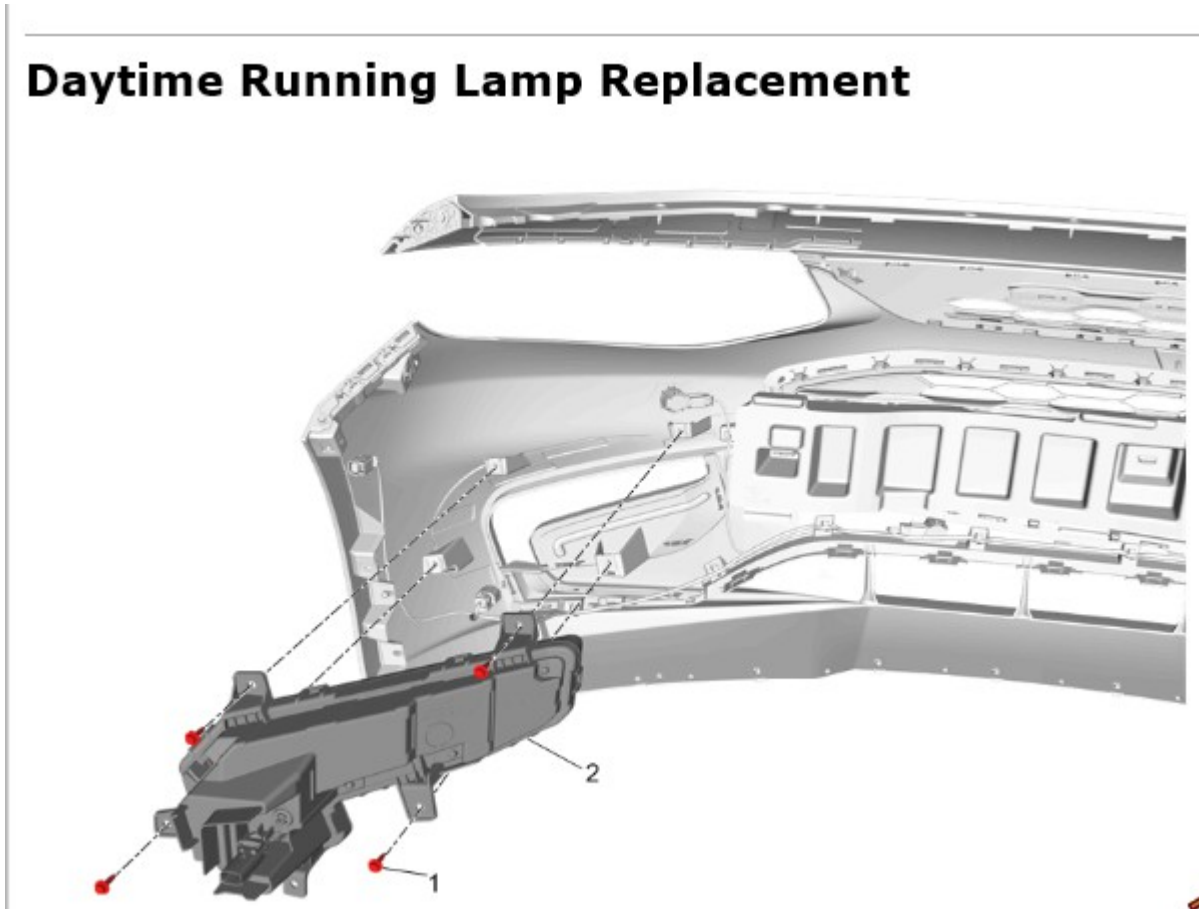


2016-2018 Malibu DRL lights

- 1- Remove chrome trim piece from bumper assembly.
- 2- Install the 4 supplied u-nuts into bumper assembly
- 3- Install DRL LED's and attach with the 4 supplied screws.

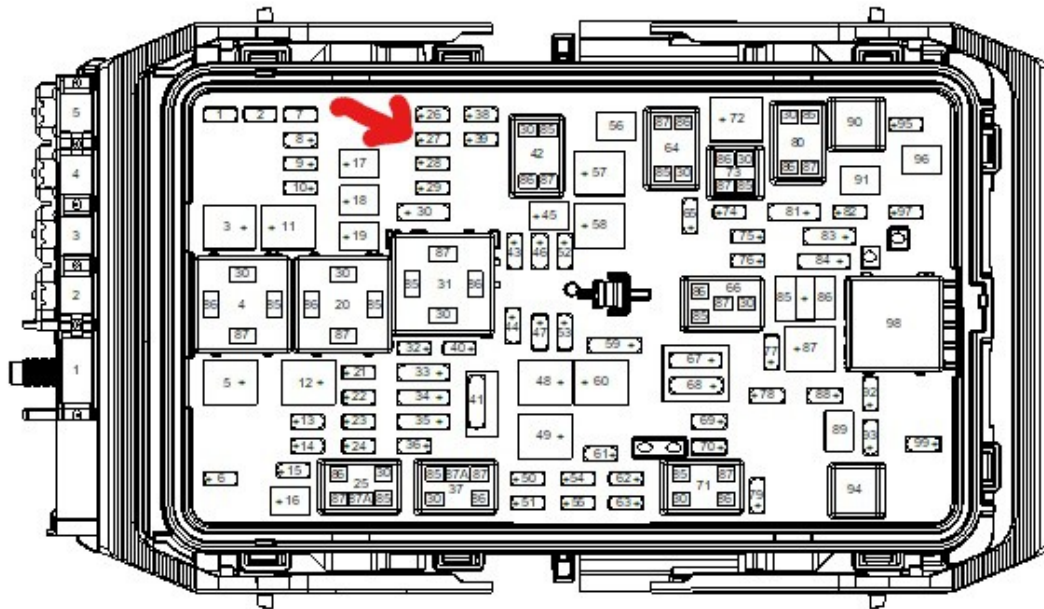
Daytime Running Lamp Replacement



- 4- Install new chrome trim piece into bumper

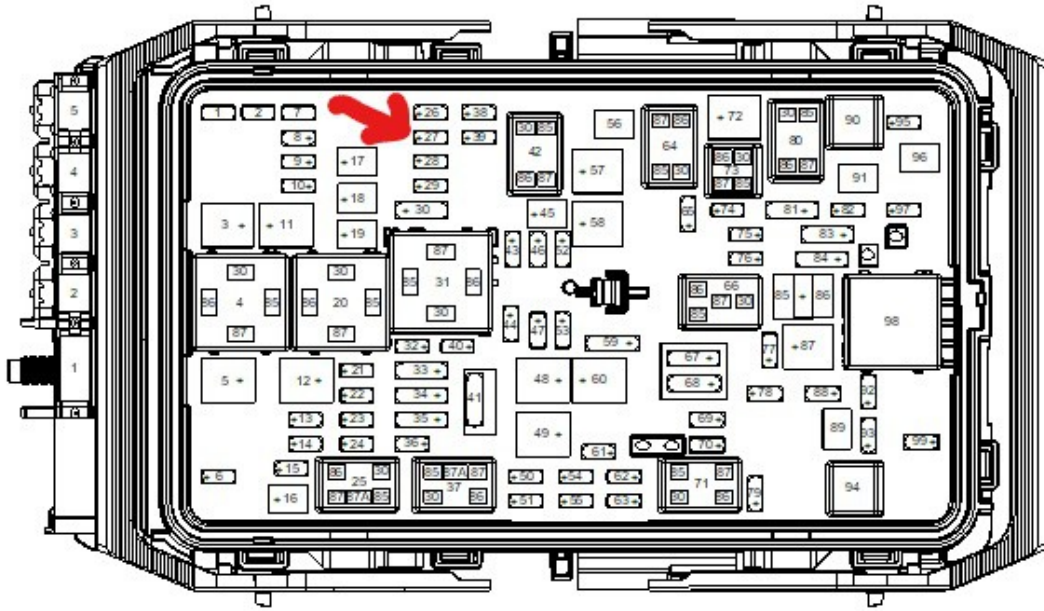
Harness instructions.

A- Non Dimming Version: Locate and remove the 10 amp fuse from circuit #27 in the under hood fuse block. Install our fuse assembly into #27.. Connect the ring terminal wire to a known good ground. Route wires down to LED's and plug them in. Secure all wiring. Start vehicle, LED's should come on with car running.



Harness instructions

B-Dimming version. Locate and remove the 10 amp fuse from circuit #27 in the under hood fuse block. Install our fuse assembly into #27. Locate the main wiring harness that goes into the headlight assembly. Unplug this connector and install our harness inline with it and the headlight. Route the wires down to the LED's and connect. Secure wires and test. With engine running and the vehicles side markers off the LED's should be on bright, when the side markers come on the LED's should go to 50% power.



Harness Instructions

C- DRL conversion with dimming or non dimming LED. Locate and remove the 10 amp fuse from circuit #27 in the under hood fuse block. Install our fuse assembly into #27. Locate the main wiring harness that goes into each headlight assembly and connect our harness inline with each headlight and the headlight harness. Connect the ring terminal wire to battery positive. Route the wires down to the LED's and connect. Secure the wires and test. To properly test DRL function a few things must happen. You will need a helper or you will need to park in front of a window..

Engine running

Sensor on top of dash in bright light

Vehicle in gear.

When these conditions are met the car is in DRL mode and with this conversion harness you should now only have the LED's on. If your headlights are still on please check and see if the green headlight icon is also on within your speedometer assembly. If it is then the car is not in DRL mode, due to insufficient light reaching the light sensor.

