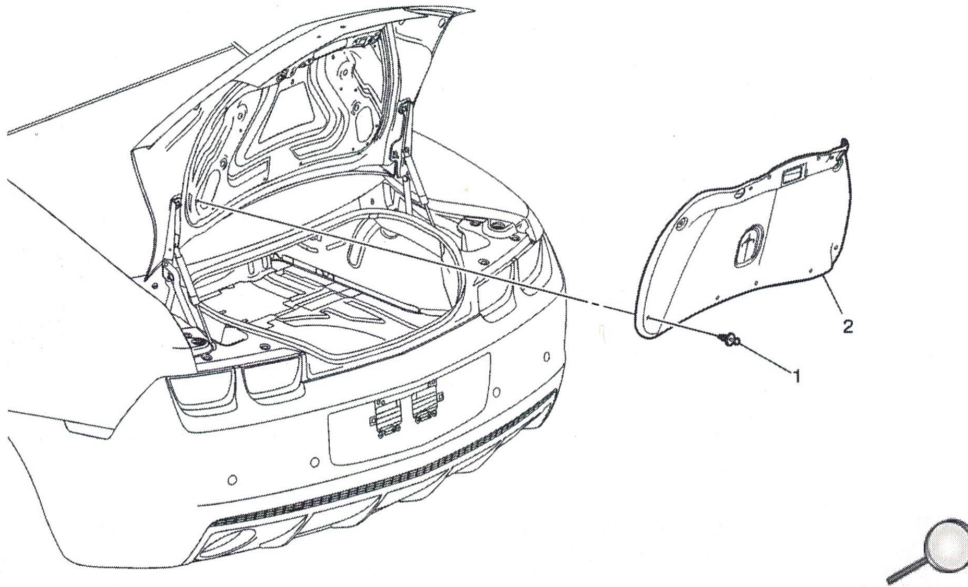


Flashing third brake lamp harness 2014-2015 Camaro.

The harness plugs inline with the 3<sup>rd</sup> brake assembly and the original 3<sup>rd</sup> brake light harness.

Step 1- Remove the deck lid inner.

## Rear Compartment Lid Carpet Replacement (Coupe)

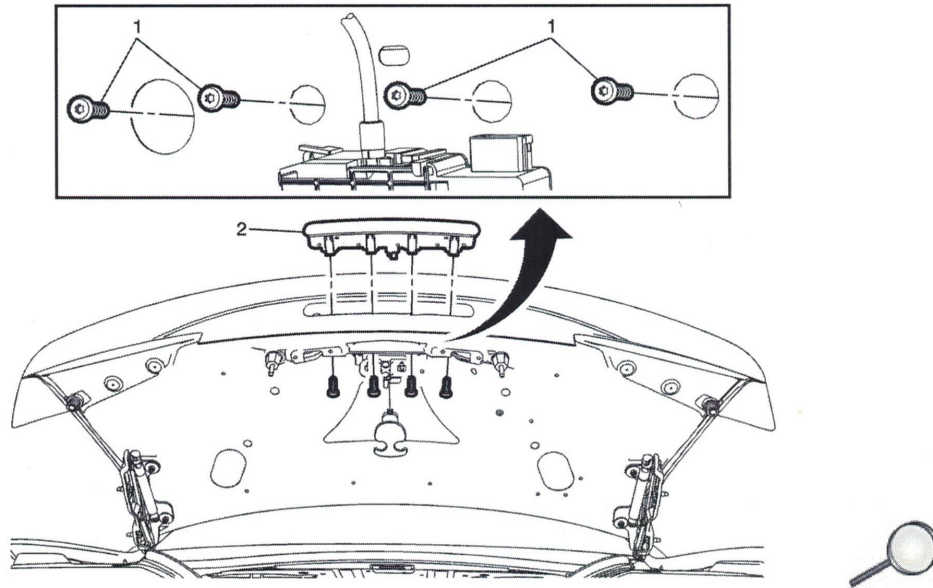


Rear Compartment Lid Carpet Replacement

Callout	Component Name
<b>Preliminary Procedure</b> Remove the latch cover.	
1	Rear Compartment Lid Carpet Retainers (Qty: 11) <b>Procedure</b> Use a trim removal tool to aid in the removal of the retainers.
2	Rear Compartment Lid Carpet Assembly <b>Procedure</b> Ensure the rear compartment lid latch release cable handle is properly positioned within the opening of the rear compartment lid carpet.

Step 2- If the connector for the 3<sup>rd</sup> brake lamp is out of reach you will have to remove the brake lamp assembly, following the instructions below.

## High Mount Stop Lamp Replacement (Base, Convertible)



High Mount Stop Lamp Replacement

Callout	Component Name
<b>Preliminary Procedure</b>	
1. Open the rear compartment lid. 2. Remove the rear compartment lid carpet. Refer to <a href="#">Rear Compartment Lid Carpet Replacement</a> .	
1	High Mount Stop Lamp Bolt (Qty: 4) <b>Caution:</b> Refer to <a href="#">Fastener Caution</a> .
2	High Mount Stop Lamp <b>Procedure</b> Disconnect the electrical connector and remove the lamp from the rear compartment lid. <b>Note:</b> The high mount stop lamp is a Light Emitted Diode (LED) and is serviced as an assembly.

Step 3- Before reinstalling the lamp please test the unit for proper function.