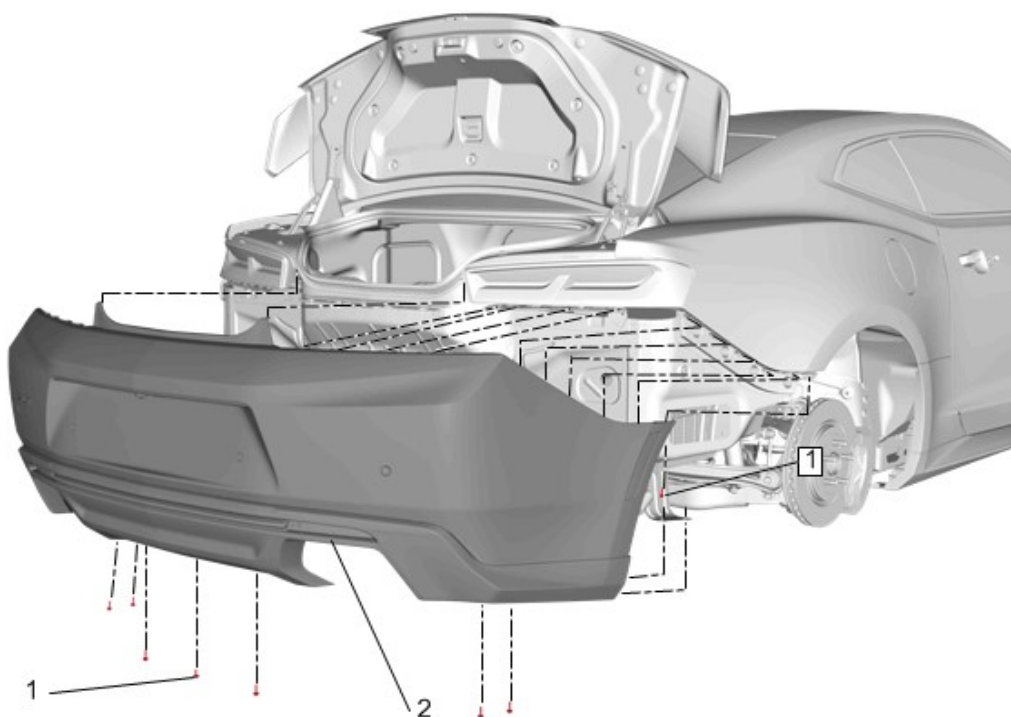


Rear Bumper Fascia Replacement (ZL1)



Rear Bumper Fascia Replacement

Callout	Component Name
Preliminary Procedure Rear Wheelhouse Liner Replacement	
1	Rear Bumper Fascia Bolt [9x] Caution: Refer to Fastener Caution . Tighten 2.5 N•m (22 lb in)
2	Rear Bumper Fascia Procedure <ol style="list-style-type: none"> 1. Carefully push a small nylon wedge between the fascia and the rear fascia guide. Insert a small flat-bladed tool into the fascia slot and depress the snaps one at a time and pull on the fascia at the same time to gradually remove the fascia from the rear fascia guide. 2. Push the tabs down to release them from the tail lamps. 3. Disconnect all electrical connectors. 4. Transfer components as necessary.