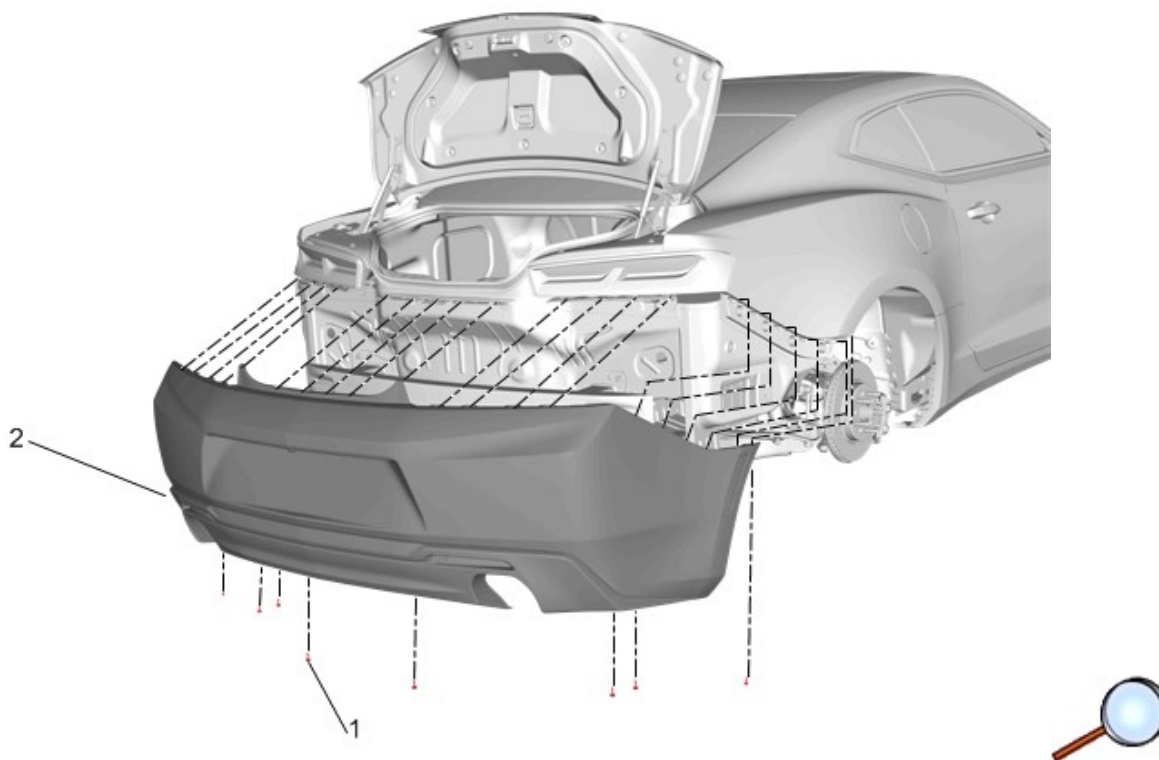


Rear Bumper Fascia Replacement (Base, Uplevel)



Rear Bumper Fascia Replacement

Callout	Component Name
Preliminary Procedures Rear Wheelhouse Liner Replacement	
1	Rear Bumper Fascia Bolt [8x] Caution: Refer to Fastener Caution . Tighten 2.5 N•m (22 lb in)
2	Rear Bumper Fascia Procedure <ol style="list-style-type: none"> 1. Carefully push a small nylon wedge between the fascia and the rear fascia guide. Insert a small flat-bladed tool into the fascia slot and depress the snaps one at a time and pull on the fascia at the same time to gradually remove the fascia from the rear fascia guide. 2. Disconnect all electrical connectors. 3. Transfer components as necessary.