

WEST BEND®

AUTOSERVE II™ SMOOTHIE MAKER

Instruction Manual



Register this and other Focus Electrics products through our website:
www.focuselectrics.com

Important Safeguards.....	2
Assembling Your Smoothie Maker	4
Using Your Smoothie Maker	5
Cleaning Your Smoothie Maker	6
Recipes	8
Warranty.....	12

SAVE THIS INSTRUCTION MANUAL FOR FUTURE REFERENCE

IMPORTANT SAFEGUARDS



CAUTION

To prevent personal injury or property damage, read and follow all instructions and warnings.

When using electrical appliances, basic safety precautions should always be followed including the following:

- Read all instructions, including these important safeguards and the care and use instructions in this manual.
- To protect against electrical shock, do not put the cord, plug or the motor assembly in water or other liquid.
- Close supervision is necessary when this appliance is used by or near children.
- Unplug the appliance from outlet when not in use, before putting on or taking off parts and before cleaning.
- Avoid contact with moving parts.
- Do not operate this appliance with a damaged cord or plug, after the appliance malfunctions or if the appliance is dropped or damaged in any manner. If you experience any problems with your machine, unplug it immediately from the electrical outlet. For service information see warranty page.
- The use of accessory attachments, including canning jars, not recommended or sold by Focus Electrics may cause fire, electric shock or injury.
- Do not use outdoors.
- Do not let the cord hang over the edge of a table or counter.
- Do not let the cord come into contact with hot surfaces, including a stove.
- Do not place on or near a hot gas or electrical burner or in a heated oven.
- Do not use this appliance for other than its intended use.
- Turn off the machine before removing the blending jar from the base and before placing the blending jar on the base.
- Do not run motor without blending jar properly attached to motor base or when blending jar is empty.
- Keep hands and utensils (other than included stir stick) out of blending jar while mixing ingredients to reduce risk of severe injury to persons or damage to the appliance. A scraper may be used but must be used only when the appliance is not running.
- Blades are sharp; handle carefully.
- Always operate the appliance with the lid in place.
- When blending hot liquids, remove lid cap.



CAUTION

To prevent personal injury or property damage, read and follow all instructions and warnings.

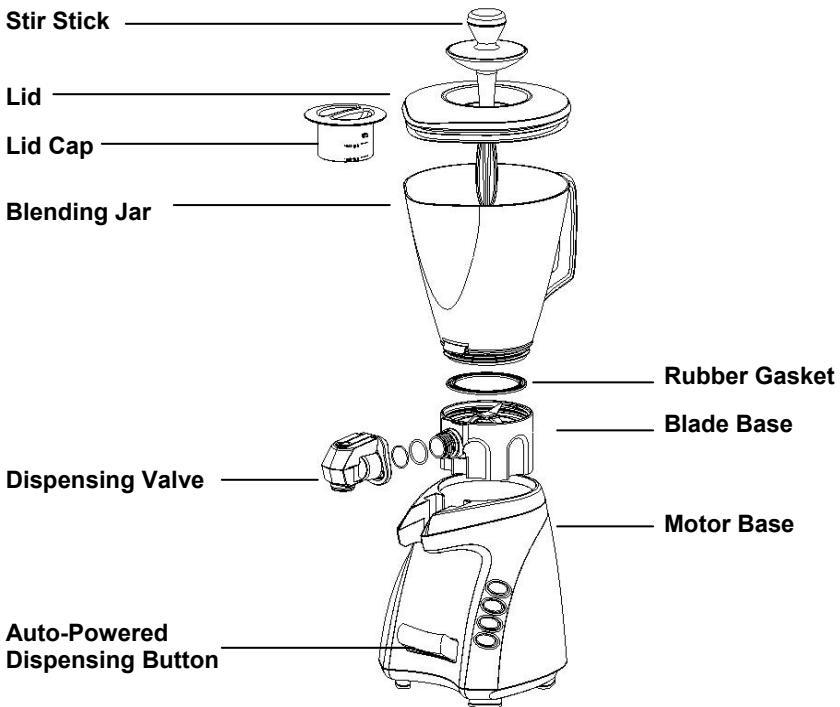
- Be sure to turn switch to “OFF” position after each use.
- To disconnect, grip plug and pull from wall outlet. Never pull on cord to disconnect.
- Never leave the house while the appliance is on.
- A short power-supply cord is provided to reduce risks resulting from becoming entangled in or tripping over a longer cord.
- Longer, detachable power-supply cords or extension cords are available and may be used if care is exercised in their use. While use of an extension cord is not recommended, if you must use one, the marked electrical rating of the detachable power-supply cord or extension cord should be at least as great as the electrical rating of the appliance. If the appliance is of the grounded type, the extension cord should be a grounding-type 3-wire cord. The cord should be arranged so that it will not hang over the counter top or tabletop where it can be pulled by children or tripped over.
- After running the motor continuously 90 seconds, wait at least three minutes before running the motor again.
- This appliance has a polarized plug (one blade is wider than the other). To reduce the risk of electric shock, this plug is intended to fit into a polarized outlet only one way. If the plug does not fit fully into the outlet, reverse the plug. If it still does not fit, contact a qualified electrician. Do not attempt to modify the plug in any way.
- To reduce the risk of injury, never place cutter-assembly blades on base without blending jar properly attached.
- For household use **only**.

SAVE THESE INSTRUCTIONS

ASSEMBLING YOUR SMOOTHIE MAKER

Before assembling your smoothie maker, wash all parts, **except for the motor base** in warm, soapy water, rinse thoroughly and dry. Unscrew and disassemble the valve for cleaning (see Cleaning Your Smoothie Maker section). To prolong the life of your smoothie maker, **do not wash parts in the dishwasher.**

1. Position the rubber gasket down onto the circular flat surface in the blade base.
2. Screw the blade base on the bottom of the blending jar by turning the blade base counter-clockwise until tightened. Make sure that the blade base is tightly fastened to the blending jar and that the rubber gasket is properly compressed between the blending jar and the blade base.
3. Place the lid onto the top of the blending jar. The lip on the lid should line up with the pour spout on the container. Place the lid cap in the center of the lid or place the stir stick through the center of the lid if blending liquids or frozen drinks.
4. Place the blending jar onto the motor base so the bottom of the blade base is sitting flat on the motor base.
5. Plug in the cord.
6. Your smoothie maker is now ready to use.



USING YOUR SMOOTHIE MAKER

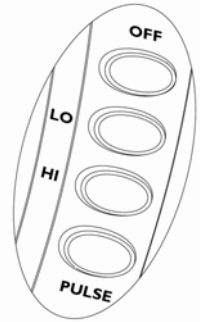
CONTROL BUTTONS:

“**OFF**” – Turns the appliance off.

“**LO**” - runs the appliance at low speed. This speed should be used for the initial 30 seconds of mixing.

“**HI**” – Runs the appliance at high speed. This speed should be used for the final stages of mixing.

“**PULSE**” - gives short bursts of power at high speed. Use “PULSE” to begin the mixing of ice and other hard ingredients.



Note: The dispensing speed “LO”, automatically engages when the auto-powered dispensing button is pushed.

The AutoServe™ II blending jar is conveniently marked to create perfect smoothies. To make your favorite frozen drinks, follow the steps below.

1. **ADD LIQUIDS** – Add any combination of liquid ingredients up to the “LIQUIDS” mark under “SERVES 2” or “SERVES 4” located on the blending jar. Liquids include any soft ingredients such as fruit, milk, fruit juice, herbal supplements, or yogurt.
2. **ADD ICE** – Add ice or frozen ingredients until the total level reaches the “FROZEN INGREDIENTS” line on the side of the blending jar. Frozen ingredients include ice, frozen fruit, frozen yogurt, ice cream, etc.
3. **SMOOTH IT** – With the lid locked in place and the stir stick (use as directed below) set in the hole in the lid, pulse the mixture 2 or 3 times by pressing the “PULSE” button. Next, push the “LO” button and mix for 20-30 seconds. Push the “HI” button for the final 10-15 seconds of mixing.

STIR STICK OPERATION – When in use and while the appliance is running, stir or rotate the Stir Stick in a counter-clockwise direction so that the Stir Stick scrapes or contacts the sides of the blending jar. This stirring operation will aid in mixing the contents of the blending jar by forcing the ingredients into the mixing blades.



4. **SERVE IT** – To serve the smoothie, simply press your glass against the auto-powered dispensing button on the motor base. This automatically runs the motor at a low speed and dispenses smoothies and other blended drinks into your glass. When your desired serving size is reached, remove your glass from under the valve. This releases the dispensing button and the appliance will automatically turn off. Stir the contents in the blending jar with the stir stick while dispensing thick smoothies. As the smoothie level reaches the bottom of the blending jar, a thick mix may stop dispensing. Add a few tablespoons of liquid to increase flow. When the blending jar is empty, turn the appliance “OFF” and enjoy.

You can continue making smoothies one after another, but be sure to give the smoothie maker a 3 minute break after 90 seconds of continuous use.

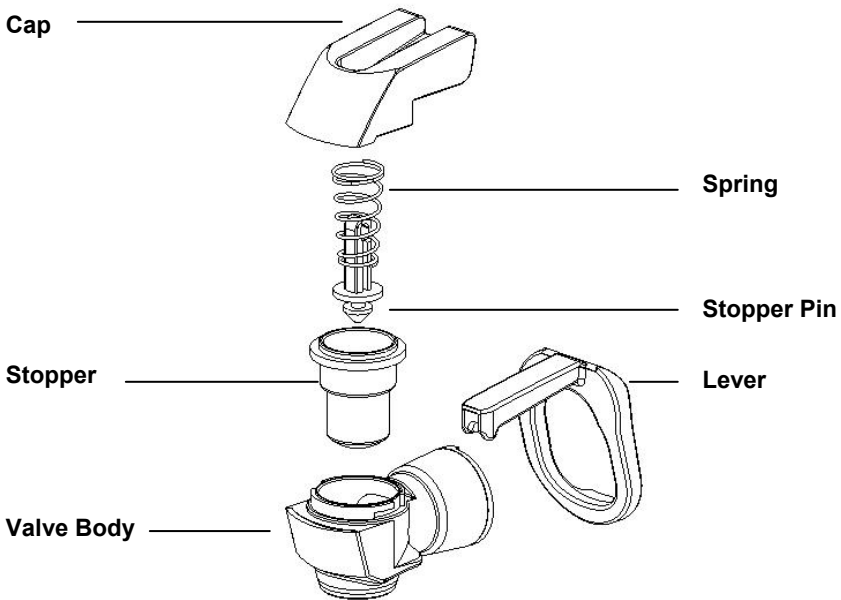
- Boost the dispensing speed by depressing the “PULSE” button while pressing your glass against the dispensing lever. This will override the dispensing speed and increase the flow of smoothie through the valve. When your desired level is reached, remove your finger from the “PULSE” button and your glass from under the valve.
- To make a thicker drink, add more frozen ingredients.
- To make a thinner drink, add more liquid ingredients.

CLEANING YOUR SMOOTHIE MAKER

1. Switch to “OFF” and unplug from electrical outlet.
2. Wipe the motor base with a damp cloth or sponge. To remove stubborn spots, use a mild, non-abrasive cleanser.
3. Remove the blade base assembly and rubber gasket from the blending jar. Unscrew and disassemble the dispensing valve. Carefully wash all parts except the motor base in warm, soapy water, rinse and dry thoroughly. To prolong the life of your smoothie maker, **do not wash parts in the dishwasher.**

CLEANING THE DISPENSING VALVE

1. Remove the dispensing valve from the blending jar by unscrewing the entire valve counter-clockwise.
2. Remove the cap from the valve body by lifting the lever upwards from the back of the valve body to a position above the cap. Then unscrew the cap by rotating it counter-clockwise.
3. Squeeze the cap and stopper together and slide the lever off the stopper pin.
4. Remove the spring.
5. Remove the stopper and stopper pin by pulling the rubber rim off the stopper. The stopper and pin are tightly fit and need not be separated.
6. Clean all parts in warm, soapy water, allow to dry thoroughly and reassemble in the order shown.



RECIPES

Directions for all recipes: Pour liquid ingredients into the blending jar. Add all frozen ingredients. Blend at "PULSE" setting for 30 seconds; then blend at "HI" setting until smooth. While the machine is running, move the Stir Stick around counter-clockwise to aid mixing. Serve immediately. Makes 3-5 servings; approximately 32 oz.

STRAWBERRY BANANA SUPREME SMOOTHIE

1 cup	Strawberry nectar or apple juice
1 cup	Milk
1	Frozen banana (chunks)
2½ cups	Frozen strawberries
1 cup	Strawberry yogurt

MANGO TANGO SMOOTHIE

1 cup	Pineapple juice
1 cup	Orange juice
½	Frozen banana (chunks)
1 cup	Pineapple sherbet
1½ cups	Frozen mango slices

BERRY SWIRL SMOOTHIE

1 cup	Apple juice
1½ cups	Lemonade
1 cup	Frozen raspberries
½ cup	Frozen strawberries
1 cup	Raspberry sherbet

RASPBERRY CREAM SMOOTHIE

1 cup	Orange juice
1 cup	Raspberry yogurt
1 cup	Vanilla frozen yogurt
½	Frozen banana (chunks)
1½ cups	Frozen raspberries

ORANGE BANANA CREAM SMOOTHIE

1 cup	Milk
1½ cups	Orange juice
½ tsp.	Vanilla
½	Frozen banana (chunks)
1 cup	Vanilla frozen yogurt
½ cup	Orange yogurt
3 tbs.	Orange juice concentrate

RASPBERRY SUNRISE SMOOTHIE

2½ cups	Orange juice
1½ cups	Frozen raspberries
1 cup	Raspberry sherbet
1 cup	Ice

LEMON LOUIE SMOOTHIE

2 cups	Lemonade
1 cup	Lemon yogurt
1½ cups	Frozen pineapple chunks
1 cup	Pineapple sherbet
1 cup	Ice

PEACH REFRESHER SMOOTHIE

2 cups	Peach nectar or apple juice
1 cup	Vanilla frozen yogurt
½	Banana
1 cup	Peach yogurt
1½ cups	Frozen peach slices

BANANA LIME SUBLIME SMOOTHIE

2 cups	Limeade
1	Banana
1 cup	Lime sherbet
3 tbs.	Coconut milk
1 cup	Ice

PIÑA COLADA SMOOTHIE

5 tbs.	Coconut milk
2½ cups	Pineapple juice
½ cup	Vanilla ice cream
½	Frozen banana (chunks)
1½ cups	Frozen pineapple chunks

STRAWBERRY LEMON SURPRISE SMOOTHIE

2 cups	Lemonade
2 cups	Frozen strawberries
1 cup	Strawberry yogurt

HAWAIIAN HOLIDAY SMOOTHIE

1 cup	Passion fruit nectar
1 cup	Guava nectar
1 cup	Orange sherbet
½ cup	Frozen strawberries
½ cup	Frozen mango slices
4 tbs.	Coconut milk
1 cup	Strawberry yogurt
½ cup	Frozen banana (chunks)

LOW-FAT STRAWBERRY ORANGE SMOOTHIE

2 cups	Strawberries
½ cup	Orange juice
1 cup	Skim milk
1 cup	Plain nonfat yogurt
1 cup	Ice

LEMONADE WATERMELON SOOTHER

2 cups	Watermelon (pulp, not rind)
3 oz.	Frozen lemonade concentrate (½ of a 6 oz. can)
1 cup	Lemon/lime soda
1 tsp.	Grenadine syrup
1-2 cups	Ice, to desired consistency
*Add water if necessary	

CHOCOLATE TREAT

3.5 oz.	Package of instant chocolate pudding mix
1½ cups	Milk
1½ cups	Ice
1	Banana

PRODUCT WARRANTY

Appliance 1 Year Limited Warranty

Focus Electrics, LLC ("Focus Electrics") warrants this appliance from failures in the material and workmanship for one (1) year from the date of original purchase with proof of purchase, provided the appliance is operated and maintained in conformity with the provided Instruction Manual. Any failed part of the appliance will be repaired or replaced without charge at Focus Electrics' discretion. This warranty applies to indoor household use only.

This warranty does not cover any damage, including discoloration, to any non-stick surface of the appliance. This warranty is null and void, as determined solely by Focus Electrics if the appliance is damaged through accident, misuse, abuse, negligence, scratching, or if the appliance is altered in any way.

THIS WARRANTY IS IN LIEU OF ALL IMPLIED WARRANTIES, INCLUDING WARRANTIES OF MERCHANTABILITY, FITNESS FOR A PARTICULAR PURPOSE, PERFORMANCE, OR OTHERWISE, WHICH ARE HEREBY EXCLUDED. IN NO EVENT SHALL FOCUS ELECTRICS BE LIABLE FOR ANY DAMAGES, WHETHER DIRECT, INDIRECT, INCIDENTAL, FORSEEABLE, CONSEQUENTIAL, OR SPECIAL, ARISING OUT OF OR IN CONNECTION WITH THIS APPLIANCE.

If you think the appliance has failed or requires service within its warranty period, please contact the Focus Electrics Customer Service Department at (866) 290-1851 or e-mail us at service@focuselectrics.com. Return shipping fees are non-refundable. A receipt proving original purchase date will be required for all warranty claims. Hand-written receipts are not accepted. Focus Electrics is not responsible for returns lost in transit.

Valid only in USA and Canada

REPLACEMENT PARTS

Replacement parts, if available, may be ordered directly from Focus Electrics online at www.focuselectrics.com, or you may call or e-mail the service department at the number/e-mail address listed above, or by writing to us at:

Focus Electrics, LLC
Attn: Customer Service
P. O. Box 2780
West Bend, WI 53095

Be sure to include the catalog/model number of your appliance (located on the bottom/back of the unit) and a description and quantity of the part you wish to order. Along with this include your name, mailing address, Visa/MasterCard number, expiration date and the name as it appears on the card. Checks can be made payable to Focus Electrics, LLC. Call Customer Service to obtain purchase amount. Your state's sales tax and a shipping/processing fee will be added to your total charge. Please allow two (2) weeks for delivery.

This manual contains important and helpful information regarding the safe use and care of your new Focus Electrics product. For future reference, attach dated sales receipt for warranty proof of purchase and record the following information:

Date purchased or received as gift: _____

Where purchased and price, if known: _____

Item number and Date Code (shown bottom/back of product): _____

WEST BEND®

MACHINE À SMOOTHIE AUTOSERVE™ II

Mode d'emploi



Enregistrez ce produit et les autres produits Focus Electrics sur notre site Internet :
www.focuselectrics.com

Consignes de sécurité importantes	2
Assemblage de votre appareil à smoothie	4
Utilisation de votre appareil à smoothie.....	5
Nettoyage de votre appareil à smoothie.....	6
Recettes	8
Garantie	12

CONSERVEZ CE MODE D'EMPLOI POUR UNE CONSULTATION ULTÉRIEURE

PRÉCAUTIONS IMPORTANTES



MISE EN GARDE

Pour empêcher toute blessure physique ou tout dommage matériel, lisez et suivez toutes les consignes et mises en garde.

Lorsque vous utilisez des appareils électriques, les précautions de sécurité élémentaires devraient toujours être respectées, notamment les précautions ci-dessous :

- Lisez toutes les instructions, notamment les présentes précautions importantes, ainsi que les consignes pour l'entretien de ce manuel.
- Pour vous protéger contre tout choc électrique, ne placez pas le cordon, la fiche ou l'ensemble du moteur dans de l'eau ni dans tout autre liquide.
- Une surveillance étroite est nécessaire lorsque vous cet appareil est utilisé par ou à proximité d'enfants.
- Débranchez l'appareil de la prise secteur lorsque vous ne l'utilisez pas, avant de mettre en place ou de retirer des pièces et avant de le nettoyer.
- Évitez tout contact avec les pièces en mouvement.
- N'utilisez pas cet appareil avec un cordon abîmé ou une fiche détériorée, si l'appareil a connu un dysfonctionnement ou si l'appareil est tombé ou a été détérioré de quelque manière que ce soit. Si vous rencontrez un problème quel qu'il soit avec votre appareil, débranchez-le immédiatement de la prise secteur. Pour des informations sur les réparations, voir la page de garantie.
- L'utilisation des accessoires, notamment les pichets de conservation, non recommandés ou vendus par Focus Electrics risque de provoquer un incendie, une électrocution ou une blessure.
- Ne pas utiliser cet appareil en extérieur.
- Ne laissez pas la corde pendre depuis l'extrémité d'une table ou d'un plan de travail.
- Ne laissez pas le cordon entrer en contact avec des surfaces à haute température, notamment une gazinière.
- Ne placez pas cet appareil sur ou à proximité d'un brûleur à gaz ou électrique chaud ou d'un four chaud.
- N'utilisez pas cet appareil pour un autre usage que celui pour lequel il a été conçu.
- Éteignez l'appareil avant de retirer le pichet à mixer de la base et avant de placer le pichet à mixer sur la base.
- Ne faites pas tourner le moteur sans que le pichet à mixer ait été correctement fixé sur la base contenant le moteur ou lorsque le pichet à mixer est vide.
- Maintenez les mains et les ustensiles (autres que le mélangeur inclus) à l'extérieur du pichet à mixer pendant le mélange des ingrédients pour réduire le risque de blessure grave ou de détérioration de l'appareil. Vous pourrez utiliser une spatule uniquement avec le mixeur débranché.
- Les lames sont tranchantes ; manipulez-les avec précaution.
- Utilisez toujours l'appareil avec le couvercle en place.
- Lorsque vous mélangez des liquides chauds, retirez le cache du couvercle.



MISE EN GARDE

Pour empêcher toute blessure physique ou tout dommage matériel, lisez et suivez toutes les consignes et mises en garde.

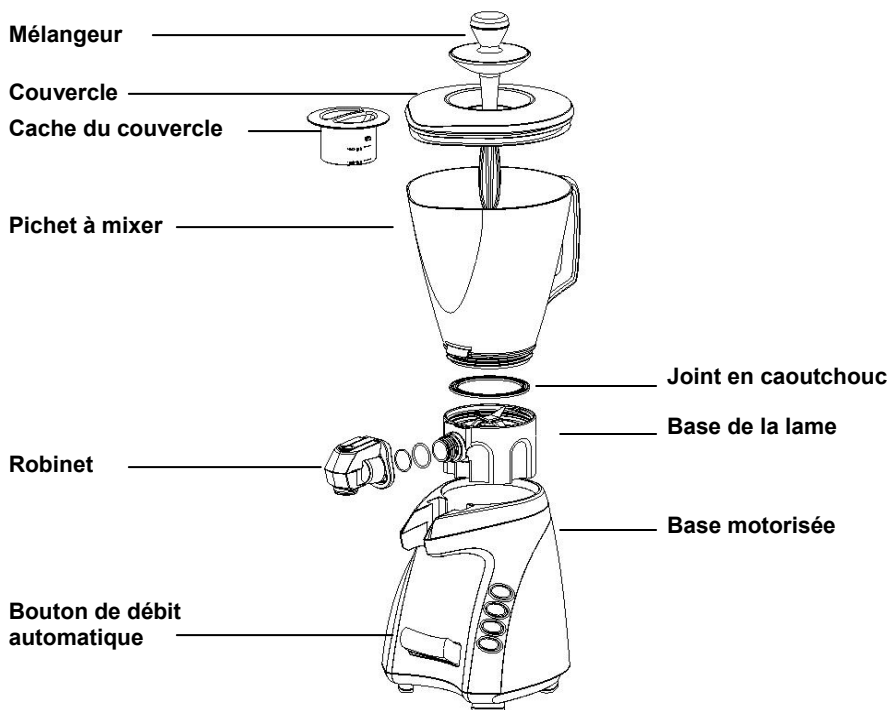
- Assurez-vous de positionner le bouton sur « OFF » après chaque utilisation.
- Pour déconnecter l'appareil, saisissez la fiche et retirez-la de la prise secteur. Ne tirez jamais sur le cordon pour débrancher l'appareil.
- Ne quittez jamais la maison en laissant l'appareil en marche.
- Le cordon d'alimentation fourni est court pour réduire les risques qu'une personne se prenne les pieds ou trébuche sur un cordon plus long.
- Des cordons d'alimentations plus longs détachables ou des cordons de rallonge sont disponibles et peuvent être utilisés à condition de faire preuve de prudence lors de leur utilisation. Bien que l'utilisation d'un cordon de rallonge ne soit pas recommandée, si vous devez en utiliser un, la puissance nominale indiquée pour le cordon d'alimentation détachable ou pour le cordon de rallonge devrait être au moins aussi importante que la puissance nominale de l'appareil. Si l'appareil est de type raccordé à la terre, le cordon de rallonge devrait être relié à la terre et composé de trois fils. Le cordon devrait être disposé de manière à ne pas pendre depuis le plan de travail d'où il risque d'être tiré par des enfants ou d'où quelqu'un pourrait s'y prendre les pieds.
- Après avoir fait fonctionner le moteur sans interruption pendant quatre-vingt-dix secondes, attendez au moins trois minutes avant de remettre le moteur en marche.
- Cet appareil est pourvu d'une fiche polarisée (une lame est plus large que l'autre). Pour réduire le risque d'électrocution, cette fiche est conçue pour s'encaster dans une prise secteur polarisée dans un sens uniquement. Si la fiche ne s'insère pas complètement dans la prise secteur, retournez la fiche. Si elle ne s'encastre toujours pas, contactez un électricien qualifié. Ne tentez pas de modifier la fiche de quelque manière que ce soit.
- Pour réduire le risque de blessure, ne placez jamais l'ensemble de lames sur la base sans que le pichet à mixer ait été correctement fixé.
- Pour une utilisation domestique **uniquement**.

CONSERVEZ CES CONSIGNES

ASSEMBLAGE DE VOTRE APPAREIL À SMOOTHIE

Avant d'assembler votre appareil à smoothie, lavez toutes les pièces, **sauf la base motorisée** à l'eau savonneuse chaude, rincez avec soin et séchez les pièces. Dévissez et séparez le robinet pour le nettoyage (voir la section Nettoyage de de l'appareil à smoothie). Pour prolonger la durée d'utilisation de votre machine à smoothies, **ne lavez pas les pièces au lave-vaisselle**.

1. Positionnez le joint en caoutchouc sur la surface plane circulaire dans la base de la lame.
2. Vissez la base de la lame sur le bas du pichet à mixer en faisant pivoter la base de la lame dans le sens inverse des aiguilles d'une montre jusqu'à ce qu'elle soit serrée. Assurez-vous que la base de la lame est bien serrée contre le pichet à mixer et que le joint de caoutchouc est correctement comprimé entre le pichet à mixer et la base de la lame.
3. Placez le couvercle sur le haut du bocal et tournez le couvercle dans le sens des aiguilles d'une montre jusqu'à qu'il soit verrouillé. Le bord du couvercle doit s'aligner avec le bec verseur du récipient. Ceci enclenchera l'interrupteur de sécurité. Placez le capuchon du couvercle au centre du couvercle ou mettez le barreau agitateur dans le centre du couvercle pour le mélange de liquides ou de boissons gelées.
4. Placez le bocal sur le socle du moteur de façon à ce que le socle à lames soit bien à plat sur la base du moteur.
5. Plug in the cord.
6. Votre appareil à smoothie est maintenant prêt.



UTILISATION DE VOTRE APPAREIL À SMOOTHIE

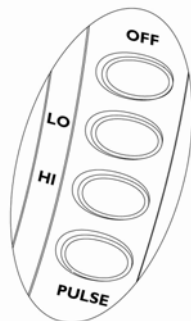
BOUTONS DE COMMANDE :

« OFF » – éteint l'appareil.

« LO » (faible vitesse) – fonctionnement à faible vitesse. Il faut utiliser cette vitesse pendant les 30 premières secondes du mélange.

« HI » – fait fonctionner l'appareil à une vitesse élevée. Utilisez ce réglage pour les étapes finales du mélange.

« PULSE » – donne de courtes impulsions de forte puissance à grande vitesse. Utilisez « PULSE » pour commencer le mélange de la glace et des autres ingrédients durs.



Remarque : La vitesse « LO » de débit s'engage automatiquement quand le bouton de débit automatique est enfoncé.

Le pichet à mixer du Smoothie AutoServe™ possède des marques pratiques pour vous aider à préparer des smoothies parfaits. Pour préparer vos boissons glacées préférées, suivez les étapes ci-dessous.

1. AJOUTER LES LIQUIDES – Ajoutez n'importe quelle combinaison d'ingrédients jusqu'au niveau des « LIQUIDES » au-dessous de « 2 PORTIONS » ou « 4 PORTIONS » sur le pichet à mixer. Par liquides, nous entendons tout ingrédient mou comme les fruits, le lait, les jus de fruits, les suppléments à base d'herbes aromatiques ou le yaourt dans toute combinaison dont vous pensez qu'elle pourrait être savoureuse.
2. AJOUTER LA GLACE – Ajoutez la glace ou les ingrédients glacés jusqu'à ce que le niveau total atteigne la ligne des « INGRÉDIENTS GLACÉS » sur le côté du pichet à mixer. Les ingrédients glacés incluent la glace, les fruits glacés, la yaourt, la crème glacée, , etc.
3. MÉLANGER – Avec le couvercle verrouillé en place et avec le barreau agitateur (suivez les instructions ci-dessous) inséré dans le trou du couvercle, brassez le mélange par petites impulsions en appuyant 2 ou 3 fois sur le bouton « PULSE ». Appuyez ensuite sur le bouton « LO » (faible vitesse) et mélangez pendant 20 à 30 secondes. Appuyez sur le bouton de haute vitesse « HI » pendant les 10 à 15 dernières secondes.

UTILISATION DU MÉLANGEUR – Lorsque vous utilisez le mélangeur et lorsque l'appareil fonctionne, mélangez ou faites pivoter le Mélangeur dans le sens inverse des aiguilles d'une montre de sorte que le Mélangeur râpe ou entre en contact avec les parois du pichet à mixer. Cette opération de mélange va contribuer au mélange du contenu du pichet à mixer en forçant les ingrédients à rencontrer les lames.



4. **SERVIR** – Pour servir le smoothie, appuyez tout simplement votre verre contre le bouton de débit automatique sur le socle du moteur. Ceci fait automatiquement tourner le moteur à faible vitesse et verse le smoothie ou toute autre boisson mélangée dans le verre. Une fois que la quantité souhaitée est versée, retirez le verre de sous le robinet. Ceci dégage le bouton de débit des consommations et la machine s'éteint automatiquement. Mélangez le contenu du pichet à mixer avec le mélangeur tout en versant les smoothies épais. Au fur et à mesure que le niveau de smoothie atteint le bas du pichet de mélange, il est possible qu'un mélange épais cesse de couler. Ajoutez quelques cuillers à soupe de liquide pour accélérer le débit. Lorsque le pichet à mixer est vide, positionnez l'appareil sur « OFF » et dégustez votre boisson.

Vous pouvez continuer à préparer des smoothies l'un après l'autre, mais assurez-vous de laisser la machine à smoothies reposer pendant quatre-vingt-dix secondes, attendez au moins trois minutes avant de remettre le moteur en marche.

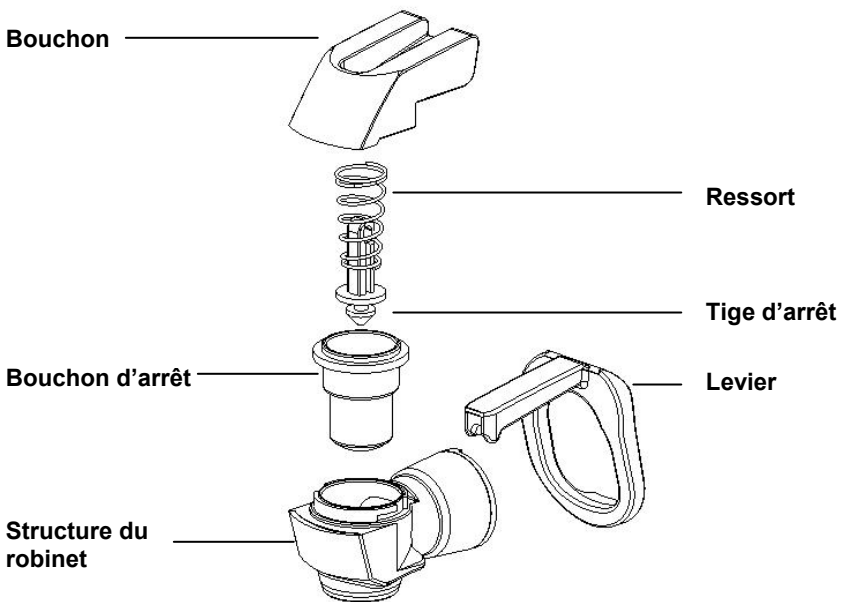
- Accélérez la vitesse de débit en appuyant sur le bouton « PULSE » tout en appuyant le verre contre le levier de débit des consommations. Ceci neutralise la vitesse automatique et accélère le débit du smoothie au travers du robinet. Une fois que la quantité souhaitée est obtenue, retirez le doigt du bouton «PULSE » et le verre de sous le robinet.
- Pour une boisson plus épaisse, ajoutez davantage d'ingrédients glacés
- Pour préparer un smoothie plus fluide, ajoutez davantage d'ingrédients liquides.

NETTOYAGE DE VOTRE APPAREIL À SMOOTHIE

1. Éteignez l'appareil « OFF » et débranchez-le de la prise secteur.
2. Essuyez la base motorisée à l'aide d'un chiffon humide ou d'une éponge. Pour éliminer les taches tenaces, utilisez un détergent de puissance moyenne non abrasif.
3. Retirez l'ensemble de la lame et le joint en caoutchouc du pichet à mixer. Dévissez et démontez le robinet. Lavez soigneusement toutes les pièces à l'exception de la base motorisée à l'eau chaude savonneuse, rincez puis séchez minutieusement. Pour prolonger la durée de vie de votre machine à smoothies, **ne lavez pas les pièces au lave-vaisselle.**

NETTOYAGE DU ROBINET

1. Retirez le robinet du pichet à mixer en dévissant la totalité du robinet dans le sens inverse des aiguilles d'une montre.
2. Retirez le capuchon du corps du robinet en faisant tourner le levier vers le haut en partant de l'arrière du corps du robinet et pour atteindre une position au-dessus du capuchon. Puis dévissez le capuchon dans le sens inverse des aiguilles d'une montre.
3. Pincez le bouchon et la tige d'arrêt ensemble et faites glisser le levier pour le sortir de la tige d'arrêt.
4. Retirez le ressort.
5. Retirez le bouchon d'arrêt et la tige d'arrêt en tirant sur l'extrémité en caoutchouc du bouchon d'arrêt. Le bouchon et la tige d'arrêt sont serrés et n'ont pas besoin d'être séparés.
6. Nettoyez toutes les pièces à l'eau savonneuse chaude, laissez sécher complètement puis réassemblez selon l'ordre indiqué.



RECETTES

Instructions pour toutes les recettes : Versez les ingrédients liquides dans le pichet à mixer. Ajoutez tous les ingrédients glacés. Mélangez par impulsions « PULSE » pendant 30 secondes, puis mélangez en rélant l'appareil sur « HI » jusqu'à ce que le mélange soit homogène. Pendant que l'appareil est en marche, déplacez le Mélangeur dans le sens inverse des aiguilles d'une montre pour faciliter le mélange. Servez immédiatement. Convient pour environ 3 à 5 portions, soit environ 32 oz.

SMOOTHIE SUPRÊME FRAISE BANANE

1 tasse	Nectar de fraise ou jus de pomme
1 tasse	Lait
1	Banane surgelée (morceaux)
2½ tasses	Fraises surgelées
1 tasse	Yaourt à la fraise

SMOOTHIE MANGO TANGO

1 tasse	Jus d'ananas
1 tasse	Jus d'orange
½	Banane surgelée (morceaux)
1 tasse	Sorbet à l'ananas
1½ tasses	Tranches de mangue surgelée

SMOOTHIE AUX FRUITS ROUGES

1 tasse	Jus de pomme
1½ tasses	Limonade
1 tasse	Framboises surgelées
½ tasse	Fraises surgelées
1 tasse	Sorbet à la framboise

SMOOTHIE À LA CRÈME DE FRAMBOISE

1 tasse	Jus d'orange
1 tasse	Yaourt à la framboise
1 tasse	Yaourt glacé à la vanille
½	Banane surgelée (morceaux)
1½ tasses	Framboises surgelées

SMOOTHIE ORANGE BANANE À LA CRÈME

1 tasse	Lait
1½ tasses	Jus d'orange
½ cuiller à café	Vanille
½	Banane surgelée (morceaux)
1 tasse	Yaourt glacé à la vanille
½ tasse	Yaourt à l'orange
3 cuillers à soupe	Concentré de jus d'orange

SMOOTHIE COUCHER DE SOLEIL À LA FRAISE

2½ tasses	Jus d'orange
1½ tasses	Framboises surgelées
1 tasse	Sorbet à la framboise
1 tasse	Glace

SMOOTHIE CITRON LOUIE

2 tasses	Limonade
1 tasse	Yaourt au citron
1½ tasses	Morceaux d'ananas surgelé
1 tasse	Sorbet à l'ananas
1 tasse	Glace

SMOOTHIE RAFRAÎCHISSANT À LA PÊCHE

2 tasses	Nectar de pêche ou jus de pomme
1 tasse	Yaourt glacé à la vanille
½	Banane
1 tasse	Yaourt à la pêche
1½ tasses	Tranches de pêches surgelées

SMOOTHIE SUBLINE DE BANANE AU CITRON VERT	
2 tasses	Jus de citron vert
1	Banane
1 tasse	Sorbet au citron vert
3 cuillers à soupe	Lait de coco
1 tasse	Glace

SMOOTHIE PINA COLADA	
5 cuillers à soupe	Lait de coco
2½ tasses	Jus d'ananas
½ tasse	Crème glacée à la vanille
½	Banane surgelée (morceaux)
1½ tasses	Morceaux d'ananas surgelé

SURPRISE SMOOTHIE SURPRISE FRAISE CITRON	
2 tasses	Limonade
2 tasses	Fraises surgelées
1 tasse	Yaourt à la fraise

SMOOTHIE VACANCES HAWAÏENNES	
1 tasse	Nectar de fruits de la passion
1 tasse	Nectar de goyave
1 tasse	Sorbet à l'orange
½ tasse	Fraises surgelées
½ tasse	Tranches de mangue surgelée
4 cuillers à soupe	Lait de coco
1 tasse	Yaourt à la fraise
½ tasse	Banane surgelée (morceaux)

SMOOTHIE FRAISE ORANGE À FAIBLE TENEUR EN MATIÈRE GRASSE

2 tasses	Fraises
½ tasse	Jus d'orange
1 tasse	Lait écrémé
1 tasse	Yaourt sans matière grasse nature
1 tasse	Glace

LIMONADE FRAICHE À LA PASTÈQUE

2 tasses	Pastèque (pulpe, pas de peau)
3 oz.	Concentré de limonade glacée (½ d'une cannette de 6 oz.)
1 tasse	Soda au citron/citron vert
1 cuiller à café	Sirop de grenadine
1-2 tasses	Glace, jusqu'à la consistance souhaitée
*Ajouter de l'eau si nécessaire	

DÉLICE AU CHOCOLAT

3.5 oz.	Paquet de mélange au chocolat instanté pour pâtisserie
1½ tasses	Lait
1½ tasses	Glace
1	Banane

GARANTIE DU PRODUIT

Garantie limitée d'1 an de l'appareil

Focus Electrics, LLC garantit cet appareil contre tout défaut de pièce et de main d'œuvre pendant un (1) an à compter de la date d'achat d'origine avec un justificatif d'achat à condition que l'appareil soit utilisé et entretenu conformément avec le Mode d'emploi de Focus Electrics. Toute pièce défectueuse de l'appareil sera réparée ou remplacée sans frais à la discrétion de Focus Electrics. Cette garantie s'applique en cas d'utilisation domestique en intérieur uniquement.

La présente garantie ne couvre aucun dommage, notamment la décoloration, de toute surface antiadhésive de l'appareil. Cette garantie est nulle et non avenue, tel que déterminé uniquement par Focus Electrics si l'appareil est détérioré à la suite d'un accident, d'une mauvaise utilisation, d'une utilisation abusive, d'une négligence, d'une rayure ou si l'appareil est modifié de toute manière.

LA PRÉSENTE GARANTIE ANNULE ET REMPLACE TOUTE GARANTIE INDIUITE, NOTAMMENT LES GARANTIES DE COMMERCIALISATION, D'ADAPTATION À UN USAGE PARTICULIER, DE PERFORMANCE, OU AUTRE QUI SONT ICI EXCLUES. EN AUCUN CAS FOCUS ELECTRICS. NE POURRA ÊTRE TENUE POUR RESPONSABLE DE TOUT DOMMAGE, QUE CELUI-CI SOIT DIRECT, INDIRECT, INDUIT, PRÉVISIBLE, SECONDAIRE OU PARTICULIER, RÉSULTANT DE L'UTILISATION DE OU EN RELATION AVEC CET APPAREIL.

Si vous pensez que cet appareil est défectueux ou nécessite des réparations pendant la durée de sa garantie, veuillez contacter le Service clientèle de Focus Electrics au (866) 290-1851 ou nous envoyer un e-mail à service@focuslectrics.com. Les frais de transport de retour ne sont pas remboursables. Une facture justifiant la date d'achat d'origine sera nécessaire pour toute demande dans le cadre de la garantie. Les factures manuscrites ne sont pas acceptées. Focus Electrics n'est pas responsable pour les retours perdus pendant le transport.

Valide uniquement aux USA et au Canada

PIECES DE RECHANGE

Les pièces de rechange, lorsque celles-ci sont disponibles, peuvent être commandées directement auprès de Focus Electrics en ligne sur www.focuslectrics.com. Ou vous pouvez téléphoner ou adresser un e-mail au service des réparations au numéro/à l'adresse e-mail ci-dessus, ou en nous écrivant à :

Focus Electrics, LLC
Attn: Customer Service
P. O. Box 2780
West Bend, WI 53095

Assurez-vous d'indiquer le numéro de catalogue/modèle de votre appareil (situé au bas/dos de l'appareil) et une description ainsi qu'une quantité pour la pièce que vous souhaitez commander. Joignez à ces informations votre nom, votre adresse postale, votre numéro de carte Visa/MasterCard, la date d'expiration et le nom du titulaire tel qu'il apparaît sur la carte. Les chèques peuvent être libellés à l'ordre de Focus Electrics, LLC. Appelez le Service clientèle pour obtenir le montant de l'achat. La taxe commerciale de votre état et des frais de transport/traitement seront ajoutés à votre facturation totale. Veuillez autoriser deux (2) semaines pour la livraison.

Ce manuel contient des informations importantes et utiles concernant l'utilisation et l'entretien sans danger de votre nouveau produit Focus Electrics. Pour une consultation ultérieure, fixez le ticket de caisse daté pour avoir un justificatif d'achat pour la garantie et indiquez les informations ci-dessous:

Date d'achat ou de réception en cadeau : _____

Lieu d'achat et prix, si connu : _____

Numéro de l'article et Code de date (indiqué au bas/dos du produit) : _____

WEST BEND®

MAQUINA DE HACER BATIDOS DE FRUTA AUTOSERVE™ II

Manual de instrucciones



Registre este y otros productos Focus Electrics a través de nuestro sitio web.
www.focuselectrics.com

Precauciones importantes	2
Montaje de la Licuadora de Batidos de Frutas	4
Uso de la Licuadora de Batidos de Frutas	5
Limpieza de la Licuadora de Batidos de Frutas	6
Recetas	8
Garantía	12

CONSERVE ESTE MANUAL DE INSTRUCCIONES PARA FUTURAS CONSULTAS

PRECAUCIONES IMPORTANTES



PRECAUCIÓN

Para evitar lesiones personales o daños materiales, lea y acate todas las instrucciones y advertencias.

Al utilizarse artefactos electrodomésticos, siempre deben acatarse las precauciones básicas de seguridad incluyendo las siguientes:

- Lea todas las instrucciones, incluso estas precauciones importantes, así como las instrucciones de uso y cuidado en este manual.
- Para protegerse contra descargas eléctricas, no coloque el cordón eléctrico, el enchufe o el ensamble del motor en agua u otro líquido.
- Se requiere de supervisión adulta cuando cualquier artefacto electrodoméstico sea usado por o cerca de niños.
- Desenchufe el artefacto electrodoméstico del tomacorriente cuando no esté en uso, antes de colocarle o quitarle partes y antes de limpiarlo.
- Evite el contacto con partes en movimiento.
- No haga funcionar este artefacto electrodoméstico con el cordón eléctrico o el enchufe dañado, después que el artefacto llegase a funcionar mal, o si el artefacto se ha dejado caer o se ha dañado de alguna manera. Si usted experimenta algún problema con su máquina, desenchúfela inmediatamente del tomacorriente. Para información relativa al servicio de reparaciones vea la página de garantías.
- El uso de accesorios, incluso jarras de enlatado, no recomendados o vendidos por Focus Electrics puede causar incendios, descargas eléctricas o lesiones.
- No la utilice al aire libre.
- No deje colgar el cordón eléctrico sobre el borde de una mesa o encimera.
- No deje que el cordón eléctrico entre en contacto con superficies calientes, incluso estufas.
- No la coloque en o cerca de un quemador caliente de gas o eléctrico o en un horno caliente.
- No utilice el aparato para usos distintos del indicado.
- Apague la máquina antes de retirar la jarra de la licuadora de la base y antes de volver a colocarla sobre la base.
- No opere el motor sin la jarra de la licuadora debidamente conectada a la base del motor o cuando la jarra de la licuadora esté vacía.
- Mantenga las manos y utensilios (excepto la varilla de mezclar incluida) fuera de la jarra de la licuadora al licuar ingredientes para reducir el riesgo de lesiones graves a personas o daños a la máquina. Puede usarse un raspador, pero sólo cuando la licuadora esté apagada y desenchufada del tomacorriente.
- Las cuchillas son afiladas; manipúlelas con cuidado.
- Siempre haga funcionar el artefacto electrodoméstico con la tapa puesta.
- Al licuar líquidos calientes, retire el tapón de la tapa.



PRECAUCIÓN

Para evitar lesiones personales o daños materiales, lea y acate todas las instrucciones y advertencias.

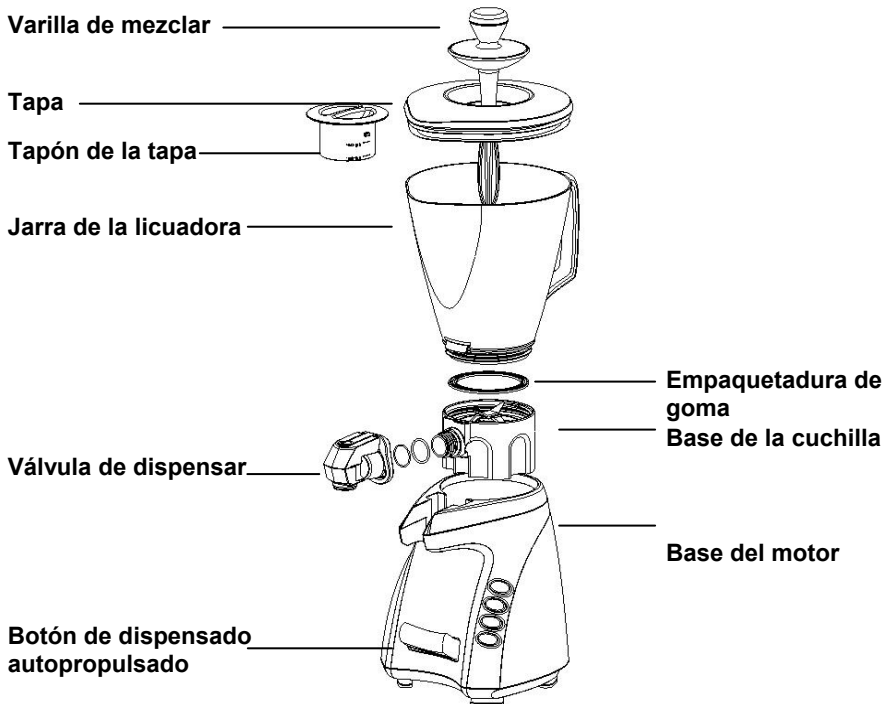
- Asegúrese de girar el interruptor a la posición “OFF” (apagado) después de cada uso.
- Para desconectar el artefacto electrodoméstico, retire el enchufe del tomacorriente de la pared. Nunca hale del cordón eléctrico para desconectarlo.
- Nunca deje la casa mientras el artefacto esté encendido.
- Se suministra un cordón eléctrico corto para reducir los riesgos que resultan de enredarse o tropezarse con un cordón eléctrico más largo.
- Hay disponibles cordones de alimentación eléctrica desmontables más largos o extensiones eléctricas y pueden ser utilizados si se ejerce cuidado al usarlos. Mientras el uso de una extensión eléctrica no es recomendado, si usted debe usar una, la capacidad eléctrica nominal marcada en el cordón desmontable de alimentación eléctrica o la extensión eléctrica deberá ser al menos la misma que la capacidad eléctrica nominal del artefacto electrodoméstico. Si el artefacto electrodoméstico es del tipo conectado a tierra, la extensión eléctrica deberá ser un cordón eléctrico de 3 hilos con conexión a tierra. El cordón eléctrico debería ser extendido de tal manera que no pase sobre encimeras o mesas donde pueda ser tirado por niños o tropezarse con el mismo.
- Después de operar el motor continuamente durante noventa segundos, espere al menos tres minutos antes de operar el motor de nuevo.
- Este artefacto tiene un enchufe polarizado (una clavija es más ancha que la otra). Para reducir el riesgo de descarga eléctrica, este enchufe está diseñado para encajar de una sola manera en un tomacorriente polarizado. Invierta el enchufe si éste no encaja completamente en el tomacorriente o en el cable de extensión. Si todavía no encaja, póngase en contacto con un electricista calificado. No trate de modificar el enchufe de manera alguna.
- Para reducir el riesgo de lesiones, nunca coloque las cuchillas del ensamble del cortador en la base sin la jarra de la licuadora correctamente colocada.
- **Sólo** para uso doméstico.

CONSERVE ESTAS INSTRUCCIONES

MONTAJE DE LA LICUADORA DE BATIDOS DE FRUTAS

Antes de armar su licuadora de batidos de frutas, lave todas sus partes, **excepto la base del motor**, en agua jabonosa caliente, enjuáguelas a fondo y séquelas. Desenrosque y desmonte la válvula para limpiarla (ver la sección de Limpieza de la Licuadora de Batidos de Frutas). Para prolongar la vida de la licuadora de batidos de frutas, **no lave partes en el lavavajillas**.

1. Coloque la empaquetadura de goma sobre la superficie llana circular en la base de la cuchilla.
2. Enrosque la base de la cuchilla en el fondo de la jarra de la licuadora en dirección contraria a las agujas del reloj hasta quedar apretada. Asegúrese de que la base de la cuchilla esté fuertemente sujeta a la jarra de la licuadora y que la empaquetadura de goma esté correctamente comprimida entre la jarra de la licuadora y la base de la cuchilla.
3. Coloque la tapa en la parte superior de la jarra de la licuadora. El borde en la tapa deberá alinearse con el pico de vertido en el recipiente. Coloque el tapón de la tapa en el centro de la tapa o coloque la varilla de mezclar a través del centro de la tapa si va a licuar líquidos o bebidas congeladas.
4. Coloque la jarra de la licuadora sobre la base del motor de modo que el fondo de la base de la cuchilla quede bien asentada sobre dicha base del motor.
5. Enchufe el cordón eléctrico.
6. La licuadora de batidos de fruta está ahora lista para usarse.



USO DE LA LICUADORA DE BATIDOS DE FRUTAS

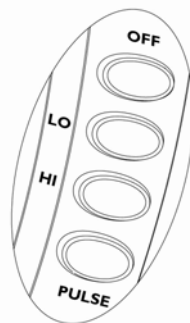
BOTONES DE CONTROL:

“**OFF**” (apagado) - apaga la máquina.

“**LO**” (baja) - opera la unidad a baja velocidad. Esta velocidad deberá ser usada durante los primeros 30 segundos de la mezcla.

“**HI**” (alta) – opera la unidad a alta velocidad. Use esta velocidad para las etapas finales de mezclado.

“**PULSE**” (pulsador) - da estallidos cortos de potencia a alta velocidad. Use “PULSE” (pulsador) para comenzar a licuar hielo y otros ingredientes duros.



Nota: La velocidad de dispensado “LO” (baja) se acopla automáticamente cuando el botón de dispensado autopropulsado es presionado.

La jarra de la licuadora AutoServe™ II está convenientemente marcada para crear batidos de frutas perfectos. Para preparar su bebida congelada favorita, siga los siguientes pasos.

1. **AÑADA LÍQUIDOS** – Añada cualquier combinación de ingredientes líquidos hasta la señal “LIQUIDS” (líquidos) bajo “SERVES 2” o “SERVES 4” localizado en la jarra de la licuadora. Los líquidos incluyen cualquier ingrediente suave como frutas, leche, zumos de fruta, suplementos herbarios o yogur en cualquier combinación que usted piense será sabrosa.
2. **AÑADA HIELO** – Agregue hielo o ingredientes congelados hasta que el nivel total alcance la línea “FROZEN INGREDIENTS” (ingredientes congelados) en el lado de la jarra de la licuadora. Los ingredientes congelados incluyen hielo, frutas congeladas, yogur congelado, helados, etc.
3. **LICUE LA MEZCLA** – Con la tapa asegurada en su lugar correcto y la varilla de mezclar (usada como se indica abajo) colocada en el agujero en la tapa, pulse la mezcla 2 o 3 veces presionando el botón “PULSE” (pulsador). Luego, presione el botón “LO” (baja) y mezcle durante 20-30 segundos. Presione el botón “HI” (alta) durante los 10-15 segundos finales de la mezcla.

OPERACIÓN CON LA VARILLA DE MEZCLAR – Cuando se esté usando y mientras la máquina está funcionando, agite o rote la Varilla de Mezclar en dirección contraria a las agujas del reloj de modo que la misma raspe o haga contacto con los lados de la jarra. Esta operación de agitación ayudará a mezclar el contenido de la jarra forzando los ingredientes hacia las cuchillas mezcladoras.



4. SÍRVALO – Para servir al batido de frutas, simplemente presione su vaso contra el botón de dispensado autopulsado en la base del motor. Este automáticamente opera el motor a una baja velocidad y dispensa a su vaso los batidos de frutas y otras bebidas licuadas. Cuando se llegue al tamaño de porción deseado, retire su vaso de la válvula. Esto libera el botón de dispensado y la máquina se apagará automáticamente. Remueva el contenido en la jarra de la licuadora con la varilla de mezclar mientras esté sirviendo los batidos de frutas espesos. Cuando el nivel del batido de frutas alcanza el fondo de la jarra de la licuadora, una mezcla espesa puede dejar de dispensarse. Añada unas cuantas cucharadas de líquido para aumentar el flujo. Cuando la jarra de la licuadora quede vacía, apague la máquina y disfrute su batido.

Puede seguir preparando batidos congelados de frutas uno tras otro, pero asegúrese de darle a la licuadora de batidos de frutas un descanso de tres minutos después de noventa segundos de uso continuo.

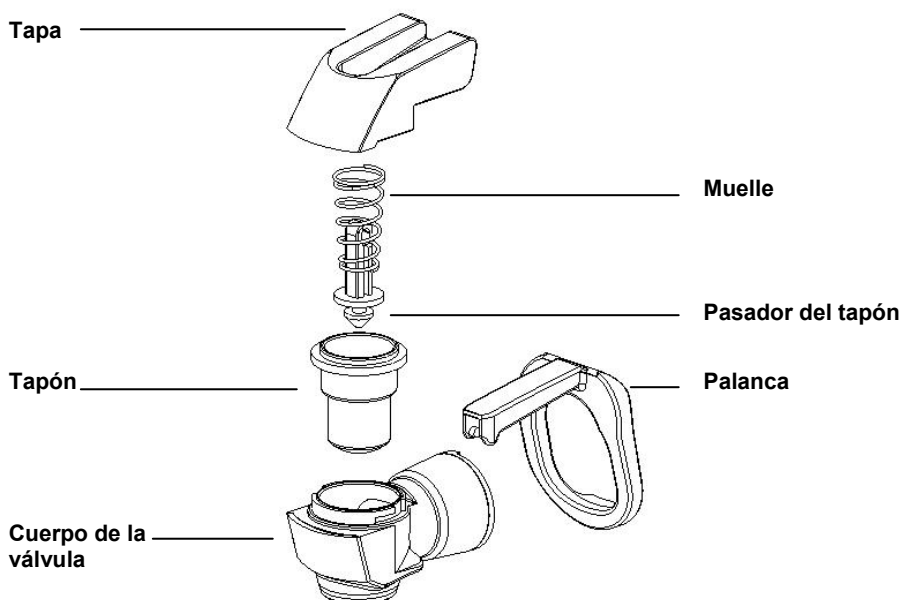
- Incremente la velocidad de dispensado deprimiendo el botón de PULSACIÓN mientras presiona su vaso contra la palanca de dispensado. Esto sobrepondrá la velocidad de dispensado y mejorará el flujo del batido de frutas a través de la válvula. Cuando se alcance el nivel que desea, retire el dedo del botón de PULSACIÓN y el vaso de la válvula.
- Para preparar una bebida más espesa, añada más ingredientes congelados.
- Para hacer un batido de frutas menos espeso, añada más ingredientes líquidos.

LIMPIEZA DE LA LICUADORA DE BATIDOS DE FRUTAS

1. Coloque el interruptor en la posición “OFF” (apagado) y desenchufe del tomacorriente.
2. Limpie la base del motor con un paño húmedo o esponja. Para retirar puntos obstinados, use un producto de limpieza suave, no abrasivo.
3. Retire el ensamble de la cuchilla y la empaquetadura de goma de la jarra de la licuadora. Desatornille y desmonte la válvula de dispensar. Con cuidado lave todas las partes excepto la base del motor en agua jabonosa caliente, enjuague y seque a fondo. Para prolongar la vida de la licuadora de batidos de frutas, **no lave partes en el lavavajillas.**

LIMPIEZA DE LA VÁLVULA DE DISPENSAR

1. Retire la válvula de la jarra de la licuadora desenroscando la válvula entera en dirección contraria a las agujas del reloj.
2. Retire la tapa del cuerpo de la válvula haciendo girar la palanca hacia arriba desde la parte posterior del cuerpo de la válvula a una posición encima de la tapa. Entonces desenrosque la tapa haciéndola girar en dirección contraria a las agujas del reloj.
3. Apriete la tapa y el tapón juntos y deslice la palanca para sacarla del pasador del tapón.
4. Retire el muelle.
5. Retire el tapón y el pasador de tapón tirando el borde de goma del tapón. El tapón y el pasador están fuertemente unidos y no necesitan separarse.
6. Limpie todas las partes en agua jabonosa caliente, permita que se sequen a fondo y réármelas en el orden mostrado.



RECETAS

Instrucciones para todas las recetas: Vierta los ingredientes líquidos en la jarra de la licuadora. Añada todos los ingredientes congelados. Licue con la función "PULSE" (pulsador) durante 30 segundos; entonces licue con el ajuste "HI" (alta) hasta que la mezcla quede homogénea. Mientras la máquina está funcionando, mueva la Varilla de Mezclar alrededor en dirección contraria a las agujas del reloj para ayudar a la mezcla. Sirva inmediatamente. Prepara 3-5 porciones; aproximadamente 32 onzas.

BATIDO DE FRUTAS SUPREMO DE PLÁTANO Y FRESA

1 taza	Néctar de fresa o jugo de manzana
1 taza	Leche
1	Plátano congelado (trozos)
2½ tazas	Fresas congeladas
1 taza	Yogur de fresa

BATIDO DE FRUTAS DE TANGO DE MANGO

1 taza	Jugo de piña
1 taza	Jugo de naranja
½	Plátano congelado (trozos)
1 taza	Sorbete de piña
1 ½ tazas	Rebanadas de mango congeladas

BATIDO DE FRUTAS DE REMOLINO DE BAYA

1 taza	Jugo de manzana
1 ½ tazas	Limonada
1 taza	Frambuesas congeladas
½ taza	Fresas congeladas
1 taza	Sorbete de frambuesa

BATIDO DE FRUTAS DE CREMA DE FRAMBUESA

1 taza	Jugo de naranja
1 taza	Yogur de frambuesa
1 taza	Yogur de vainilla congelado
½	Plátano congelado (trozos)
1 ½ tazas	Frambuesas congeladas

BATIDO DE FRUTAS DE CREMA DE PLÁTANO Y NARANJA

1 taza	Leche
1 ½ tazas	Jugo de naranja
½ cucharadita	Vainilla
½	Plátano congelado (trozos)
1 taza	Yogur de vainilla congelado
½ taza	Yogur de naranja
3 cucharadas.	Concentrado de jugo de naranja

BATIDO DE FRUTAS SALIDA DEL SOL DE FRAMBUESA

2½ tazas	Jugo de naranja
1 ½ tazas	Frambuesas congeladas
1 taza	Sorbete de frambuesa
1 taza	Hielo

BATIDO DE FRUTAS DE LIMÓN LOUIE

2 tazas	Limonada
1 taza	Yogur de limón
1 ½ tazas	Trozos de piña congelados
1 taza	Sorbete de piña
1 taza	Hielo

REFRESCANTE BATIDO DE FRUTAS DE MELOCOTÓN

2 tazas	Néctar de melocotón o jugo de manzana
1 taza	Yogur de vainilla congelado
½	Plátano
1 taza	Yogur de melocotón
1 ½ tazas	Rebanadas de melocotón congeladas

SUBLIME BATIDO DE FRUTAS DE LIMÓN LIMA Y PLÁTANO

2 tazas	Limonada de limón lima
1	Plátano
1 taza	Sorbete de limón lima
3 cucharadas.	Leche de coco
1 taza	Hielo

BATIDO DE FRUTAS DE PIÑA COLADA

5 cucharadas.	Leche de coco
2½ tazas	Jugo de piña
½ taza	Helado de vainilla
½	Plátano congelado (trozos)
1 ½ tazas	Trozos de piña congelados

BATIDO DE FRUTAS A LA SORPRESA DE LIMÓN DE FRESA

2 tazas	Limonada
2 tazas	Fresas congeladas
1 taza	Yogur de fresa

BATIDO DE FRUTAS DE VACACIONES HAWAIANAS

1 taza	Néctar de maracuyá
1 taza	Néctar de guayaba
1 taza	Sorbete de naranja
½ taza	Fresas congeladas
½ taza	Rebanadas de mango congeladas
4 cucharadas.	Leche de coco
1 taza	Yogur de fresa
½ taza	Plátano congelado (trozos)

BATIDO DE FRUTAS DE NARANJA Y FRESA DE BAJAS CALORÍAS

2 tazas	Fresas
½ taza	Jugo de naranja
1 taza	Leche desnatada
1 taza	Yogur natural sin grasa
1 taza	Hielo

LIMONADA CON SANDÍA

2 tazas	Sandía (pulpa, sin cáscara)
3 onzas	Limonada concentrada congelada (½ de una lata de 6 onzas)
1 taza	Soda de limón/lima
1 cucharaditas	Jarabe de granadina
1-2 tazas	Hielo, hasta la consistencia deseada
*Agregue agua si fuese necesario	

CONVITE DE CHOCOLATE

3 ½ onzas	Paquete de mezcla instantánea de budín de chocolate
1 ½ tazas	Leche
1 ½ tazas	Hielo
1	Plátano

GARANTÍA DEL PRODUCTO

Garantía limitada de 1 año del artefacto electrodoméstico

Focus Electrics, LLC ("Focus Electrics") garantiza que este aparato no presentará fallas de material ni fabricación durante un (1) año a partir de la fecha original de compra con prueba de dicha compra, siempre y cuando el aparato sea operado y mantenido tal como se indica en el manual de instrucciones provisto. Toda pieza del aparato que presente fallas será reparada o reemplazada sin costo alguno a criterio de Focus Electrics. Esta garantía rige solamente para el uso domestico dentro de la casa.

Esta garantía no cubre ningún daño, incluyendo la decoloración, de superficie antiadherente alguna del aparato electrodoméstico. Esta garantía es nula y sin valor, según lo determine exclusivamente Focus Electrics si el artefacto electrodoméstico es dañado a causa de accidente, mal uso, abuso, negligencia, rayaduras, o si el artefacto electrodoméstico es cambiado de algún modo.

ESTA GARANTÍA REEMPLAZA A TODAS LAS DEMÁS GARANTÍAS IMPLÍCITAS, INCLUYENDO AQUÉLLAS DE COMERCIABILIDAD, IDONEIDAD PARA UN FIN O USO EN PARTICULAR, DESEMPEÑO, U OTROS TIPOS, LAS CUALES QUEDAN EXCLUIDAS MEDIANTE EL PRESENTE DOCUMENTO. FOCUS ELECTRICS RECHAZA TODA RESPONSABILIDAD POR DAÑOS, YA SEAN DIRECTOS, INDIRECTOS, INCIDENTALES, PREVISIBLES, CONSECUENTES O ESPECIALES QUE SURJAN DE ESTE APARATO ELECTRODOMÉSTICO O GUARDEN RELACIÓN CON EL MISMO.

Si piensa que el artefacto electrodoméstico se ha dañado o requiere de servicio dentro de su período de garantía, por favor póngase en contacto con el Departamento de Atención al Cliente de Focus Electrics por el (866) 290-1851 o contáctenos por correo electrónico a la service@focuselectrics.com. Los gastos de devolución no son reembolsables. Para todas las reclamaciones de garantía, se requerirá un recibo que demuestra la fecha de compra original. Los recibos escritos a mano no son aceptados. Focus Electrics no se hace responsable de las devoluciones perdidas en tránsito.

Válido sólo en EE.UU. y Canadá

REPUESTOS

Las partes de repuestos, si están disponibles, pueden pedirse directamente en línea a Focus Electrics en www.focuselectrics.com, o puede llamar o enviar un correo electrónico al departamento de servicio al número telefónico o dirección de correo electrónico arriba indicados, o escribiéndonos a:

Focus Electrics, LLC
Attn: Customer Service
P. O. Box 2780
West Bend, WI 53095

Cerciórese de incluir el número de catálogo/modelo del aparato electrodoméstico (situado en la parte inferior/posterior de la unidad) así como la descripción y la cantidad de repuestos que necesita. Junto con esta información, incluya su nombre, dirección postal, número de tarjeta de crédito Visa o MasterCard, la fecha de vencimiento y el nombre tal como aparece en la tarjeta. Los cheques pueden ser pagaderos a Focus Electrics, LLC. Llame al Departamento de Atención al Cliente para obtener el monto de la compra. Se sumará al total el impuesto de venta estatal que corresponda, más un cargo por despacho y procesamiento. La entrega tarda dos (2) semanas.

Este manual contiene información importante y útil sobre el uso seguro y el cuidado de su nuevo producto Focus Electrics. Para su propia referencia, archive aquí el recibo fechado que sirve de comprobante de compra para la garantía, y anote la siguiente información:

Fecha en que compró o recibió la unidad como regalo: _____

Dónde se efectuó la compra y el precio, si lo sabe: _____

Número y código de fecha del producto (aparece en la parte inferior/posterior de la unidad): _____