

WEST BEND®

3 IN 1 COFFEE CENTER

Instruction Manual



Register this and other Focus Electrics products through our website:
www.focuslectrics.com

Important Safeguards	2
Heat Precautions	2
Electricity Precautions	3
Pressure Precautions	4
Precautions For Use Around Children	4
Glass Carafe Cautions	4
Using Your 3 in 1 Coffee Center – First Use	5
Using Your 3 in 1 Coffee Center – Preparing Coffee	6
Using Your 3 in 1 Coffee Center – Preparing Espresso	7
Using Your 3 in 1 Coffee Center – Preparing Cappuccino	8
Steaming/Frothing Without Making Espresso	9
Pressure – Checking and Releasing	10
Cleaning Your 3 in 1 Coffee Center	10
Decalcifying Your 3 in 1 Coffee Center	11
Problems and Causes	12
Warranty	13

SAVE THIS INSTRUCTION MANUAL FOR FUTURE REFERENCE

IMPORTANT SAFEGUARDS



CAUTION

To prevent personal injury or property damage, read and follow all instructions and warnings.

When using electrical appliances, basic safety precautions should always be followed including the following:

- Read all instructions, including these important safeguards and the care and use instructions in this manual.
- Do not use appliance for other than intended use.
- Do not leave appliance unattended while plugged into electrical outlet.
- Do not place on or near a hot gas or electric burner, or a heated oven.
- Do not operate if the appliance is not working properly or if it has been damaged in any manner. For service information see warranty page.
- The use of accessory attachments not recommended by Focus Electrics may result in fire, electric shock or injury to persons.
- Do not attempt to repair this appliance yourself.
- **For household use only.**



CAUTION

To prevent burns, personal injury or property damage, read and follow all instructions and warnings.



HEAT PRECAUTIONS

- Do not touch hot surfaces, use handles or knobs.
- Do not move an appliance containing hot food or hot liquids.
- Do not refill the water reservoir or the boiler while the appliance is on. Turn the appliance off and allow to cool before refilling with water.
- Make sure the brew basket is closed properly during the brewing process. If the brew basket is not closed properly, hot water or hot coffee may overflow.
- Make sure glass carafe is in place when brewing coffee. If the glass carafe is not in place this will cause hot water or hot coffee to overflow.
- Do not remove any part of the appliance, other than the carafe, during the brew cycle as scalding could occur.
- The lid of the carafe must be in place and properly positioned on the carafe during the brew process or hot water or hot coffee may overflow.
- Always use the proper grind of coffee. Too fine of a grind could clog the filter and cause hot water or hot coffee to overflow.
- Use caution when removing the espresso filter holder. The metal parts remain hot after operation. See Pressure Precautions section.
- Allow appliance to cool completely after use and before putting on or taking off parts and before cleaning or storing.
- Scalding may occur if the lid is removed during the brew cycle.



CAUTION

To prevent electrical shock, personal injury or property damage, read and follow all instructions and warnings.



ELECTRICITY PRECAUTIONS

- To protect against fire, electric shock and injury to persons, do not immerse cord, plugs, or other electric parts in water or other liquids.
- Do not operate any appliance with a damaged cord or plug.
- Do not use this appliance outdoors.
- Do not plug cord into electrical outlet unless both switches are in “OFF” position.
- Always position both switches to “OFF” position and unplug the appliance from electrical outlet when not in use and before cleaning. Allow to cool before putting on or taking off parts and before cleaning.
- A short power-supply cord is provided to reduce risks resulting from becoming entangled in or tripping over a longer cord.
- Longer, detachable power-supply cords or extension cords are available and may be used if care is exercised in their use. While use of an extension cord is not recommended, if you must use one, the marked electrical rating of the detachable power-supply cord or extension cord should be at least as great as the electrical rating of the appliance. If the appliance is of the grounded type, the extension cord should be a grounding-type 3-wire cord. The longer cord should be arranged so that it will not hang over the counter top or tabletop where it can be pulled by children or tripped over.
- This appliance has a polarized plug (one blade of the plug is wider than the other). To reduce the risk of electric shock, this plug is intended to fit into a polarized outlet only one way. If the plug does not fit fully into the outlet, reverse the plug. If it still does not fit, contact a qualified electrician. Do not attempt to modify the plug in any way.
- Do not use an outlet or extension cord if the plug fits loosely or if the outlet or extension cord feels hot.
- Keep the cord away from hot parts of the appliance and hot surfaces during operation.



CAUTION

To prevent burns or other personal injury, read and follow all instructions and warnings.

PRESSURE PRECAUTIONS

- Always check to see if system is under pressure (See instructions page 9) before touching the boiler cap or the espresso filter holder.
- Make sure the espresso filter holder is in the locked position before operating the espresso function of the appliance.
- Make sure the boiler cap is properly and fully tightened before operating the espresso function of the appliance.
- Do not touch the boiler cap at any time during the espresso brewing process or until pressure is completely relieved.
- Do not touch the espresso filter holder at any time during the brewing process or until pressure is completely relieved.



CAUTION

To prevent burns or other personal injuries to children, read and follow all instructions and warnings.

PRECAUTIONS FOR USE AROUND CHILDREN

- Close supervision is necessary when this appliance is used by or near children.
- Do not allow cord to hang over any edge where a child can reach it. Arrange cord to avoid pulling, tripping or entanglement.

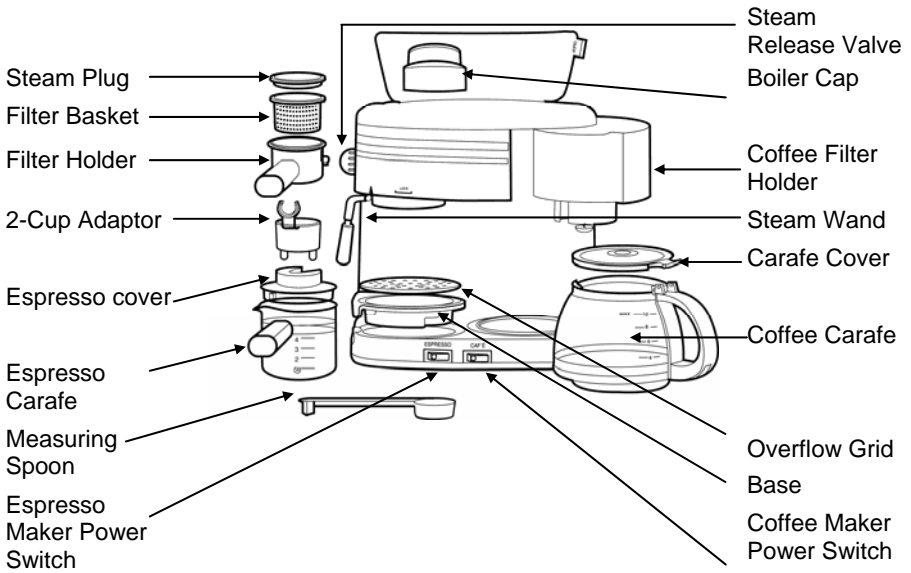


CAUTION

GLASS CARAFE CAUTIONS

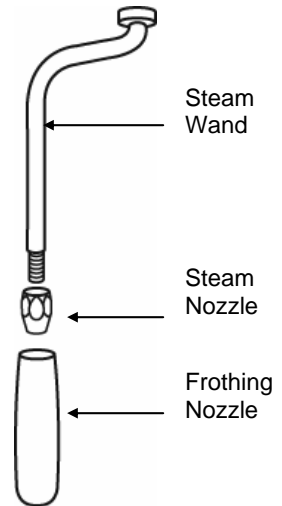
- The carafes are designed for use with this appliance only. Do not use the carafes provided with this appliance for any other appliance or application.
- Do not place carafes on hot surfaces, on a range top, or in a heated oven.
- Do not put a hot carafe on a wet or cold surface.
- Do not use a cracked carafe or a carafe having a loose or weakened handle.
- Do not clean carafes with cleansers, steel wool pads, or other abrasive materials.

SAVE THESE INSTRUCTIONS



USING YOUR 3 IN 1 COFFEE CENTER – FIRST USE

1. Place appliance on dry, level, heat-resistant surface away from any edge.
 2. With both switches in the “OFF” position, plug cord into a 120 volt AC electric outlet **only**.
 3. We recommend that you get familiar with all the parts of your appliance before using it for the first time. Read all instructions, cautions and notes before actually using the appliance.
 4. Wash all parts in warm, soapy water, rinse thoroughly and dry.
 5. To remove any residuals of production from the appliance, we recommend making 4 cups of espresso and at least one full pot of coffee with water only, no coffee grounds. During the brewing cycle, open the steam valve for 5-10 seconds to clean the steam wand.
- Small amounts of smoke or odor may occur upon heating due to the release of manufacturing oils – this is normal.
 - Some minor expansion or contraction sounds may occur during heating and cooling – this is normal.



OPTIONAL AUTO SHUT-OFF FEATURE

This appliance may be equipped with an Auto Shut-Off feature. When equipped with Auto Shut-Off, the espresso boiler and corresponding indicator will turn off after 10 minutes of continuous use. The Keep Warm feature and corresponding indicator will turn off after 2 hours of continuous use. To “re-start” either the espresso or coffeemaker, switch the corresponding power switch to the “OFF” position and then switch back “ON”. Always switch each power switch to the “OFF” position when finished using the appliance.

USING YOUR 3 IN 1 COFFEE CENTER – PREPARING COFFEE

1. Place appliance on dry, level, heat-resistant surface away from any edge.
 2. With both switches in the “OFF” position, plug cord into a 120 volt AC electric outlet **only**.
 3. Swivel out the brew basket and place a #4 paper coffee filter into the brew basket. Add desired amount of coffee into the filter. We recommend one measure (measuring spoon provided) of ground coffee for each cup of brewed coffee to start. After using your coffeemaker a few times, adjust the amount of coffee to suit your own taste. **Note:** The coffee grind should be appropriate for a “drip” coffeemaker. Do not use coffee that is ground to a powder like consistency as this will prevent water from passing through the coffee and may cause hot water or hot to coffee overflow.
 4. Close the brew basket by pushing in firmly until the basket touches the side of the coffee machine and the basket “clicks” into place. If the brew basket is not closed properly, hot water or hot coffee may overflow. **Note:** Make sure the filter is seated properly in the basket and does not fold over itself when closing the brew basket as this may cause hot water or hot coffee to overflow or it may allow the water to bypass the coffee grounds, producing a very weak coffee brew.
 5. Open the hinged water reservoir and pour in the desired quantity of clean cool water for the number of cups you are brewing. **Never** pour more water into the reservoir than the marked maximum level. For maximum flavor, do not use warm or hot water to fill reservoir.
 6. Place the coffee carafe with lid in position on the warming plate. Make sure that the coffee carafe sits flat on the inside circle of the warming plate. **Note:** The lid of the carafe must be properly positioned on the coffee carafe. If the covered carafe is not in place during the brew process hot water or hot coffee may overflow.
 7. Turn the appliance “ON” by using the **CAFFÉ** on/off switch. The indicator light will illuminate indicating that the brewing process has begun. **Note:** As long as the red indicator light is illuminated, the coffee will be kept warm. If the coffee carafe is removed before the end of the brew cycle, it must be returned properly to the warming plate so the coffee may continue to brew and to avoid hot water or hot coffee to overflow.
 8. Unplug cord from electrical outlet after use and allow the appliance to cool completely before cleaning.
- **Using the Pause ‘n Serve Feature:** The Pause ‘n Serve feature allows you to pour a cup of coffee while it is still brewing. For optimum flavor, allow half of the quantity of coffee to finish brewing before removing the carafe. Return the carafe within 30 seconds so the coffee may continue to brew to avoid hot water or hot coffee to overflow. **To prevent scald injury, do not remove any part of the appliance, other than the carafe, during the brew cycle.**

USING YOUR 3 IN 1 COFFEE CENTER – PREPARING ESPRESSO

The glass espresso carafe has markings for 2 and 4 cups: A cup of espresso is approximately 2 oz. and does not equal an 8 oz. measuring cup. Use the espresso carafe markings for all of the following measurements.

- 2 cups of water = 2 cups of espresso
 - 4 cups of water = 4 cups of espresso
1. Place appliance on a dry, level, heat-resistant surface away from any edge.
 2. With both switches in the “OFF” position, plug cord into a 120 volt AC electric outlet **only**.
 3. Place the espresso filter basket into the filter holder. Fill with desired amount of ground espresso coffee. The filter basket is marked on the inside for 2 and 4 cups. Press the coffee lightly and clear any excess coffee from the rim of the filter holder. This will assure proper fit to the brewing head. **Note:** Do not press coffee too tightly or fill more coffee than indicated by the four-cup marking into the filter basket. This may cause clogging or overflow.
 4. Insert the filter holder into the appliance. To insert the filter holder, line up the arrow located on the thumb guard of the filter holder with the arrow on the left side of the appliance. Flip thumb guard back and out of the way. Raise the filter holder up into brewing head and turn the filter holder firmly to the right until it can go no further. The arrow on the filter holder should be as far right in the lock-range as possible. If the arrow is not at least in the middle of the lock-range, remove the filter holder and insert it again as described above until the arrow is within the lock-range. Following this procedure will prevent the filter holder from being dislodged as pressure builds up during the brewing process.
 5. Open the hinged lid located on the top back of the appliance and unscrew the boiler cap located inside by turning counter clockwise.
Fill the boiler chamber with cold water using the markings indicated on the glass espresso carafe. **Note:** Never pour water into the boiler chamber while the appliance is “ON” if the tank is hot. Never fill more than 10 oz. (300ml) of water into the boiler chamber. It is very important to fill only the amount of water you need into the boiler chamber. Your appliance will always need to process all the water until the boiler chamber is empty.
 6. Replace and secure the boiler cap by turning it clockwise.
 7. Make sure the overflow grid and base are in place. Place the espresso carafe lid on espresso carafe so the lid opening points toward the pouring spout of the carafe. Place the espresso carafe under the filter holder so the spout of the filter holder is positioned in the opening of the carafe. Make sure the steam release valve is fully closed (clockwise). **Note:** To make espresso directly into two cups, clip the two-cup adapter onto the filter holder and make sure that the cups are placed directly underneath the spouts.
 8. Turn the ESPRESSO switch to “ON” position. It will take approximately 2 minutes for the water to be heated. The water will then be forced through the ground coffee into the glass carafe or cups. Wait until all the water in the boiler chamber has been used. Switch the ESPRESSO switch to the “OFF” position.
 - Do not unscrew the boiler cap while the machine is in operation. Wait until brewing cycle is completed and all water and steam has been used.
 - Use caution when removing the filter holder, as the metal parts will still be hot. To remove the filter holder, turn the filter holder to the left, past the “lock” marking until the holder dislodges from the machine.
 - Hold thumb guard down while disposing of coffee grounds to keep filter in place.



USING YOUR 3 IN 1 COFFEE CENTER – PREPARING CAPPUCCINO

- 3 cups of water = 2 cups of espresso, plus steam for frothing milk for cappuccino.
 - Maximum capacity (bottom of the metal band around the glass espresso carafe) = 4 cups of espresso, plus steam for frothing milk for cappuccino.
1. Follow steps 1-7 in the “Preparing Espresso” section of this manual. **Note:** Do not start brewing until step 3 below.
 2. Using a stainless steel, ceramic or high temperature glass pitcher, fill with 4 oz. of fresh, cold milk. The pitcher should be wide-mouthed and fit under the steam wand. For best performance, the pitcher should be cool or chilled.
 3. Turn the ESPRESSO switch to the “ON” position. It will take approximately 2 minutes for the water to be heated. The water will then be forced through the ground coffee into the glass carafe or cups.
 4. As soon as the espresso has filled the espresso carafe to the foam mark on the carafe, you can start frothing the milk. Immerse the tip of the frothing nozzle half way into the pitcher of milk. **Note:** Do not open the steam release valve before immersing the steam nozzle into the milk or the milk will splash back.
 5. Turn the steam release knob counter clockwise to release steam into the milk. Keep the pitcher slightly tilted so that you can always see the position of the nozzle when you froth the milk. The frothing nozzle should be below the surface of the milk but not so far as to allow the top of the frothing nozzle into the milk. Your milk will begin to froth immediately. As the froth rises, keep lowering the pitcher so that the tip of the frothing nozzle is always just slightly beneath the surface of the rising foam.
 6. When the milk has doubled in volume, insert the frothing nozzle deeper into the milk in order to heat the milk. If using a beverage thermometer, the ideal temperature of the milk when finished is 150-170°F or 66°-77°C. **Note:** Do not allow the milk to boil. You know this has happened if there is a sudden growth in the volume of milk and large bubbles start to form on the surface of the milk.
 7. Close the steam release knob by turning it clockwise while the nozzle is still immersed in the milk. This will avoid splattering of the hot milk. If you prefer a “stiff” froth, let the frothed milk stand for a minute.
 8. Allow the espresso to finish brewing. Move the espresso switch to the “OFF” position.
 9. Pour the espresso into a cup that is large enough for the espresso and frothed milk combination. Add the steamed milk and spoon on the frothed milk.
- Do not unscrew the boiler cap while the appliance is in operation. Wait until the brewing cycle is completed, all water and steam has been used, and the appliance is switched off.
 - Use caution when removing the filter holder, as the metal parts may remain hot for some time.
 - Thoroughly clean the steam wand and frothing nozzle after each use to ensure satisfactory and trouble free frothing.



STEAMING/FROTHING WITHOUT ESPRESSO (USING STEAM PLUG)

1. Switch both the Espresso and CAPPÉ switches to the "OFF" position. Make sure your appliance is cool enough to handle and the pressure has been released.
2. Insert the steam build-up plug into the filter holder then insert the filter holder into the appliance. To insert the filter holder, line up the arrow located on the thumb guard of the filter holder with the arrow on the left side of the appliance. Raise the filter holder up into brewing head and turn the filter holder firmly to the right, until it can go no further. The arrow on the filter holder should be as far right in the lock-range as possible. If the arrow is not at least in the middle of the lock-range, remove the filter holder and insert it again as described above until the arrow is within the lock-range. This procedure will prevent the filter holder from being dislodged as pressure builds up during the brewing process.
3. For steam only, do not fill the glass espresso carafe above the 2-cup marking. Fill the boiler chamber with cold water. Have your frothing pitcher with 4 oz. of fresh, cold milk ready to heat.
4. Place the glass espresso carafe with lid under the filter holder and turn the espresso switch to the "ON" position. Open the steam release knob immediately.
5. Immerse the frothing nozzle half way into the frothing pitcher filled with milk. It will take approximately 30 - 60 seconds after turning the appliance on for the steam to come out from the steam nozzle. Keep the pitcher slightly tilted so that you can always see the position of the nozzle when you froth the milk. The frothing nozzle should be below the surface of the milk but not so far as to allow the top of the frothing nozzle into the milk. Your milk will begin to froth. As the froth rises, keep lowering the pitcher so that the tip of the frothing nozzle is always just slightly beneath the surface of the rising foam.
6. When the milk has doubled in volume, insert the frothing nozzle deeper into the milk in order to heat the milk. **Note:** If using a beverage thermometer, the ideal temperature of the milk when finished is 150-170°F or 66°C-77°C. Do not allow the milk to boil. You know this has happened if there is a sudden growth in the volume of the milk and large bubbles start to form on the surface of the milk.
7. When finished, close the steam release knob by turning it clockwise while the nozzle is still immersed in the milk. This will avoid splattering of the hot milk. If you prefer a "stiff" froth, let the frothed milk stand for a minute.
8. Move the espresso switch to the "OFF" position.

Notes: If you did not need all the water for steaming, proceed as follows:

1. With the appliance off, release the remaining steam pressure into another container.
2. Do not close the steam release knob before all steam is released; see "**Pressure Precautions**" section in this manual.

PRESSURE - CHECKING AND RELEASING

Pressure Checking

1. Switch Espresso and CAFFÉ switches to the "OFF" position and unplug the appliance from the electrical outlet.
2. Carefully open the steam release valve by slowly turning the knob counterclockwise. If steam comes out of the nozzle, the boiler is still under pressure.
3. If there is pressure, close the steam release valve and proceed as follows to release the pressure.

Pressure Releasing

1. Hold a pitcher of water under the steam wand and immerse the frothing nozzle into the water.
2. Slowly open the steam release valve and allow the steam to vent into the water.
3. When the steam wand stops releasing steam, slowly open the boiler cap.

CLEANING YOUR 3 IN 1 COFFEE CENTER - GENERAL

1. Position all switches to the "OFF" position, unplug from electrical outlet and allow the appliance to cool completely before cleaning.
2. Remove and discard used espresso grounds and disposable filter containing used coffee grounds. Clean brewing head with a damp cloth.
3. Remove and clean the espresso filter holder, filter cup, brew basket, overflow grid, grid base, carafes and covers in a solution of warm water and mild liquid soap. Rinse thoroughly and dry.
4. If there is water left in the boiler chamber or the coffee water reservoir, empty through the top opening of the unit by turning upside down. **Note:** Do not clean the inside of the water reservoir or boiler chamber with a cloth or paper toweling as this may leave particles in the chambers that may clog small openings in your coffeemaker. You only need to rinse with cold water periodically.
5. Remove rubber-frothing nozzle from the steam wand. Clean the frothing nozzle and the steam wand thoroughly with a solution of warm water and mild liquid soap. Rinse thoroughly and replace the rubber-frothing nozzle onto the steam wand.
6. The exterior of the appliance can be wiped clean with a damp cloth.
7. Decalcify the appliance periodically. See the "Decalcifying Your 3 in 1 Coffee Center" section.

CLEANING YOUR 3 IN 1 COFFEE CENTER - CLEANING THE STEAM NOZZLE

- Milk residuals will build up in the tip of the steam nozzle after frothing milk. It is very important that after you remove the frothing nozzle, you wipe the steam nozzle clean with a damp cloth after each use. This will help prevent the steam nozzle from clogging and will ensure good frothing results. Should the steam nozzle become clogged, proceed as follows:
1. Ensure switches are in the "OFF" position, the appliance is unplugged from electrical outlet, all pressure has been released and the appliance has cooled completely.
 2. Remove the rubber frothing nozzle and the steam nozzle using the tool on the end of the coffee measure spoon provided with your machine.
 3. Clean the nozzle with warm water and ensure the small hole in the end is clear.
 4. Reattach the steam nozzle, tighten steam nozzle securely and slide the rubber-frothing nozzle onto the steam wand.

DECALCIFYING YOUR 3 IN 1 COFFEE CENTER - GENERAL

- Over time, mineral deposits build up on internal parts of the appliance and affect the operation of the appliance causing the need for decalcification. The frequency of decalcification depends on the hardness of your water and how often the appliance is used. Indications that decalcifying is necessary are:
 - Increased noise during operation.
 - Excessive steaming.
 - Longer brewing times.
 - The pumping action stops before all of the water has been pumped from the water reservoir.
- If usage is regular, decalcifying should be carried out as follows:
 - With soft water, decalcify once per year.
 - With medium water, decalcify every three (3) months.
 - With hard water, decalcify monthly.
- We recommend the use of vinegar for decalcifying.

DECALCIFYING YOUR 3 IN 1 COFFEE CENTER

Espresso Maker

- Release all pressure and allow the appliance to cool completely before decalcifying.
- Pour 8 oz. (4-cup mark on espresso carafe) of fresh, cool, undiluted white household vinegar into the boiler chamber.
- Following the instructions for "Preparing Espresso," run the vinegar through the espresso making cycle except without the use of coffee grounds.
- Place a cup of cool water under the steam wand. When the solution has pumped through the unit and is at the 2-cup mark on the espresso carafe, insert the steam wand into the water and open the steam release valve for 10-15 seconds. Close the steam release valve and allow the remaining vinegar to be pumped into the carafe.
- Repeat the steps above twice using clear, cool water to rinse any remaining traces of the vinegar from the system.

Coffeemaker

- Release all pressure and allow the appliance to cool completely before decalcifying.
- Pour 20 oz. (4-cup mark on coffee carafe) of fresh, cool undiluted white household vinegar into the water reservoir.
- Following the instructions for "Preparing Coffee," run the vinegar through the coffee making cycle except without the use of coffee grounds.
- Repeat the steps above twice using clear, cool water to rinse any remaining traces of vinegar from the system.

PROBLEMS AND CAUSES

- Coffee or water leaks from coffee filter basket:
 - Filter is not properly placed or is folded over.
 - Basket is not properly closed.
 - Coffee carafe or carafe cover is not in place.
 - Too much coffee in filter.
 - Filter basket valve is dirty, broken or missing.
- Coffee does not come out or comes out very slowly:
 - No water is in the coffee water reservoir.
 - No coffee is in the filter holder.
 - Basket is not properly closed.
 - Coffee carafe or carafe cover is not in place.
 - Filter is clogged because coffee is ground too finely or is packed too tightly.
 - Appliance needs to be decalcified.
- Espresso leaking from the espresso filter holder:
 - Missing espresso filter.
 - Filter holder is not properly inserted.
 - Filter holder is not in “locked” position.
 - Coffee grounds are not cleaned off the edge of the filter and holder.
 - Internal gasket in espresso head is dirty and needs to be cleaned.
 - Internal gasket in espresso head damaged and needs to be replaced.
- Espresso does not come out or comes out very slowly:
 - No water is in the boiler reservoir.
 - No coffee is in the filter holder.
 - Filter is clogged because coffee is ground too finely or packed too tightly.
 - Appliance needs to be decalcified.
- Steam does not come out of steam wand:
 - No water or not enough water is in the boiler chamber.
 - No coffee or steam plug in espresso filter holder.
 - Clogged steam or frothing nozzle.
 - Appliance needs to be decalcified.
- Not enough froth when frothing milk:
 - Frothing nozzle is too deep in milk or touching bottom of pitcher.
 - Top openings of frothing nozzle are immersed in the milk.
 - Pitcher is not cold enough.
 - Milk is not fresh or cold enough.
 - Milk is too thick.
 - Clogged steam or frothing nozzle.

PRODUCT WARRANTY

Appliance 1 Year Limited Warranty

Focus Electrics, LLC ("Focus Electrics") warrants this appliance from failures in the material and workmanship for one (1) year from the date of original purchase with proof of purchase, provided the appliance is operated and maintained in conformity with the provided Instruction Manual. Any failed part of the appliance will be repaired or replaced without charge at Focus Electrics' discretion. This warranty applies to indoor household use only.

This warranty does not cover any damage, including discoloration, to any non-stick surface of the appliance. This warranty is null and void, as determined solely by Focus Electrics if the appliance is damaged through accident, misuse, abuse, negligence, scratching, or if the appliance is altered in any way.

THIS WARRANTY IS IN LIEU OF ALL IMPLIED WARRANTIES, INCLUDING WARRANTIES OF MERCHANTABILITY, FITNESS FOR A PARTICULAR PURPOSE, PERFORMANCE, OR OTHERWISE, WHICH ARE HERBY EXCLUDED. IN NO EVENT SHALL FOCUS ELECTRICS BE LIABLE FOR ANY DAMAGES, WHETHER DIRECT, INDIRECT, INCIDENTAL, FORSEEABLE, CONSEQUENTIAL, OR SPECIAL, ARISING OUT OF OR IN CONNECTION WITH THIS APPLIANCE.

If you think the appliance has failed or requires service within its warranty period, please contact the Focus Electrics Customer Service Department at (866) 290 -1851 or e-mail us at service@focuselectrics.com. Return shipping fees are non-refundable. A receipt proving original purchase date will be required for all warranty claims. Hand-written receipts are not accepted. Focus Electrics is not responsible for returns lost in transit.

Valid only in USA and Canada

REPLACEMENT PARTS

Replacement parts, if available, may be ordered directly from Focus Electrics online at www.focuselectrics.com, or you may call or e-mail the service department at the number/e-mail address listed above, or by writing to us at:

Focus Electrics, LLC
Attn: Customer Service
P. O. Box 2780
West Bend, WI 53095

Be sure to include the catalog/model number of your appliance (located on the bottom/back of the unit) and a description and quantity of the part you wish to order. Along with this include your name, mailing address, Visa/MasterCard number, expiration date and the name as it appears on the card. Checks can be made payable to Focus Electrics, LLC. Call Customer Service to obtain purchase amount. Your state's sales tax and a shipping/processing fee will be added to your total charge. Please allow two (2) weeks for delivery.

This manual contains important and helpful information regarding the safe use and care of your new Focus Electrics product. For future reference, attach dated sales receipt for warranty proof of purchase and record the following information:

Date purchased or received as gift: _____

Where purchased and price, if known: _____

Item number and Date Code (shown bottom/back of product): _____

WEST BEND®

CENTRE A CAFE 3-EN-1

Manuel d'instructions



Enregistrez ce produit et d'autres produits Focus Electrics sur notre site Web :
www.focuslectrics.com

Mises en garde importantes	2
Précautions liées à la chaleur	2
Précautions liées à l'électricité	3
Précautions liées à la pression.....	4
Précautions lors d'une utilisation à proximité d'enfants.....	4
Mises en garde relatives à la verseuse en verre.....	4
Mode d'emploi du centre à café 3-en-1 – Première utilisation.....	5
Mode d'emploi du centre à café 3-en-1 – Préparation de café.....	6
Mode d'emploi du centre à café 3-en-1 – Préparation d'espresso	7
Mode d'emploi du centre à café 3-en-1 – Préparation de cappuccino	8
Production de vapeur/mousse sans faire d'espresso	9
Pression – Contrôle et dissipation	10
Nettoyage du centre à café 3-en-1	10
Détartrage du centre à café 3-en-1	11
Problèmes et causes.....	12
Garantie	13

CONSERVEZ CE MANUEL D'INSTRUCTIONS POUR RÉFÉRENCE FUTURE

MISES EN GARDE IMPORTANTES



MISE EN GARDE

Pour écarter tout risque de blessure et de dégâts matériels, lisez et suivez toutes ces instructions et tous ces avertissements.

Lorsque vous utilisez des appareils électriques, prenez toujours les précautions de base, notamment:

- Lisez toutes les instructions, y compris ces mises en garde importantes et le mode d'emploi et d'entretien décrit dans ce manuel.
- N'utilisez pas l'appareil pour une autre utilisation que l'utilisation indiquée.
- Ne le laissez pas sans surveillance lorsqu'il est branché sur une prise électrique.
- Ne le placez pas sur ou près d'un brûleur à gaz ou électrique chaud ou dans un four chauffé.
- N'utilisez pas un appareil qui fonctionne mal ou qui a été endommagé d'une autre manière. Pour des renseignements concernant les réparations, voir la page de garantie.
- L'utilisation d'accessoires non recommandés par Focus Electrics risque de provoquer un incendie, un choc électrique voire des blessures.
- N'essayez pas de réparer vous-même l'appareil.
- **Pour usage domestique uniquement.**

6



MISE EN GARDE

Pour écarter tout risque de brûlure, blessure et dégâts matériels, lisez et suivez toutes ces instructions et tous ces avertissements.



PRECAUTIONS LIEES A LA CHALEUR

- Ne touchez pas les surfaces chaudes. Utilisez des poignées rectangulaires ou rondes.
- Ne déplacez pas un appareil qui contient des aliments ou liquides chauds.
- Ne remplissez pas le réservoir d'eau avec l'appareil en marche. Éteignez l'appareil et laissez-le refroidir avant de le remplir d'eau.
- Assurez-vous que le panier-filtre est correctement fermé durant la préparation du café. Si ce n'est pas le cas, des projections d'eau ou de café chauds sont possibles.
- Assurez-vous que la verseuse en verre est en place durant le filtrage du café. Si ce n'est pas le cas, un débordement d'eau ou de café chauds est possible.
- Durant le cycle de filtrage, ne retirez aucune partie de la cafetière, mis à part la verseuse, sous peine de brûlure.
- Le couvercle de la verseuse doit être en place et correctement positionné sur la verseuse durant le processus de filtrage pour éviter les projections d'eau ou de café chaud.
- Utilisez toujours la mouture correcte de café. Une mouture trop fine risque de boucher le filtre et d'entraîner le débordement d'eau ou de café chauds.
- Soyez prudent lors du retrait du porte-filtre à espresso. Les composants métalliques restent chauds après usage. Reportez-vous à la section «Précautions liées à la pression».
- Laissez l'appareil refroidir complètement avant la mise en place ou le retrait de pièces et avant tout nettoyage ou tout rangement.
- Vous risquez de vous brûler si vous retirez le couvercle pendant le cycle de percolation.



MISE EN GARDE

Pour écarter tout risque d'électrocution, blessure et dégâts matériels, lisez et suivez toutes ces instructions et avertissements.



PRECAUTIONS LIEES A L'ELECTRICITE

- Pour vous protéger contre les incendies, les chocs électriques et les blessures, n'immergez pas le cordon, les fiches ni toute autre pièce électrique dans l'eau ou dans d'autres liquides.
- N'utilisez pas un appareil dont le cordon ou la fiche est endommagé.
- N'utilisez pas cet appareil à l'extérieur.
- Ne branchez pas le cordon sur une prise électrique si les deux interrupteurs de l'appareil ne sont pas sur position ARRÊT.
- Placez toujours les deux interrupteurs sur ARRÊT et débranchez l'appareil de la prise électrique lorsqu'il n'est pas utilisé et avant de le nettoyer. Laissez l'appareil refroidir avant la mise en place ou le retrait de pièces et avant tout nettoyage.
- Le cordon d'alimentation fourni est court pour réduire les risques qu'une personne se prenne les pieds ou trébuche sur un cordon plus long.
- Des cordons d'alimentations plus longs détachables ou des cordons de rallonge sont disponibles et peuvent être utilisés à condition de faire preuve de prudence lors de leur utilisation. Bien que l'utilisation d'un cordon de rallonge ne soit pas recommandée, si vous devez en utiliser un, la puissance nominale indiquée pour le cordon d'alimentation détachable ou pour le cordon de rallonge devrait être au moins aussi importante que la puissance nominale de l'appareil. Si l'appareil est de type raccordé à la terre, le cordon de rallonge devrait être relié à la terre et composé de trois fils. Le cordon devrait être disposé de manière à ne pas pendre depuis le plan de travail d'où il risque d'être tiré par des enfants ou d'où quelqu'un pourrait s'y prendre les pieds.
- Cet appareil est pourvu d'une fiche polarisée (une lame est plus large que l'autre). Pour réduire le risque d'électrocution, cette fiche est conçue pour s'encaster dans une prise secteur polarisée dans un sens uniquement. Si la fiche ne s'insère pas complètement dans la prise secteur, retournez la fiche. Si elle ne s'encastre toujours pas, contactez un électricien qualifié. Ne tentez pas de modifier la fiche de quelque manière que ce soit.
- N'utilisez pas une prise électrique ou une rallonge si la fiche est lâche à l'intérieur de la prise ou si la prise ou la rallonge est chaude.
- Maintenez le cordon à l'écart des pièces à haute température de l'appareil et de toute surface à haute température pendant l'utilisation.



MISE EN GARDE

Pour éviter tout risque de brûlures et autres blessures, lisez et suivez toutes ces instructions et tous ces avertissements.

PRECAUTIONS LIEES A LA PRESSION

- Assurez-vous toujours que le système est sous pression (cf. instructions, page 9) avant de toucher le bouchon du compartiment à eau ou le porte-filtre à espresso.
- Assurez-vous que le porte-filtre est bien bloqué en position avant d'utiliser la fonction espresso de l'appareil.
- Assurez-vous que le bouchon du compartiment à eau est vissé correctement et à fond avant d'utiliser la fonction espresso de l'appareil.
- Ne touchez à aucun moment le bouchon du compartiment à eau durant le processus de préparation de l'espresso ou avant dissipation totale de la pression.
- Ne touchez à aucun moment le porte-filtre durant le processus de préparation de l'espresso ou avant dissipation totale de la pression.



MISE EN GARDE

Pour éviter tout risque de brûlure et blessure aux enfants, lisez et suivez toutes ces instructions et tous ces avertissements.

PRECAUTIONS LORS D'UNE UTILISATION AUTOUR D'ENFANTS

- Une surveillance étroite est nécessaire lorsque vous cet appareil est utilisé par ou à proximité d'enfants.
- Ne laissez pas pendre le cordon à un endroit accessible à un enfant. Disposez le cordon de manière à ce que personne ne puisse tirer ou trébucher dessus, ni s'emmêler dedans.

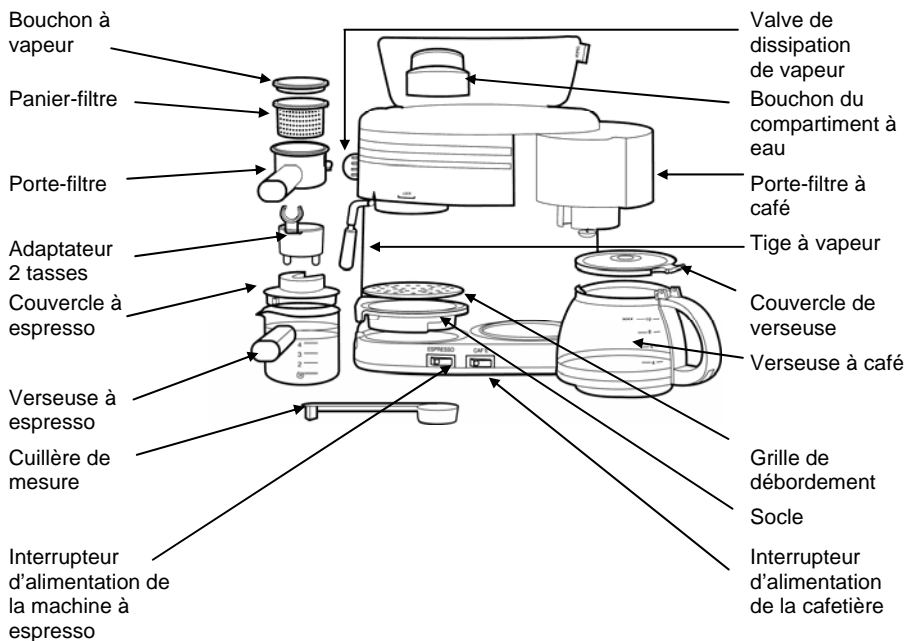


MISE EN GARDE

PRECAUTIONS RELATIVES A LA VERSEUSE EN VERRE

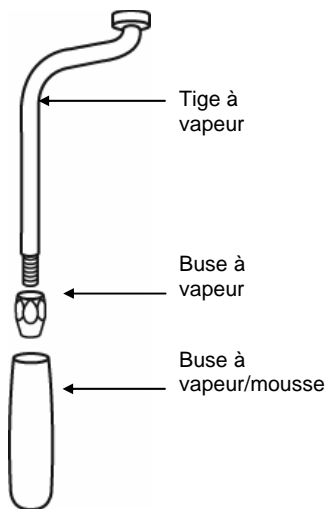
- Les verseuses ont été conçues pour être utilisées uniquement avec cet appareil. N'utilisez pas les verseuses fournies avec un autre appareil ou pour une autre application.
- Ne placez pas les verseuses sur une surface chaude, un dessus de gamme, ou dans un four chauffé.
- Ne placez pas la verseuse chaude sur une surface mouillée ou froide.
- N'utilisez pas la verseuse si elle est fêlée ou si sa poignée est mal serrée ou peu solide.
- Ne nettoyez pas les verseuses avec des nettoyants, tampons de laine d'acier ou d'autres produits abrasifs.

CONSERVEZ CES INSTRUCTIONS



MODE D'EMPLOI DU CENTRE A CAFE 3-EN-1 – PREMIERE UTILISATION

1. Placez l'appareil sur une surface plane, sèche et réfractaire, loin du bord du plan de travail.
 2. Avec les deux interrupteurs sur ARRÊT, branchez le cordon sur une prise de terre de 120 volts (-) **uniquement**.
 3. Nous vous recommandons de vous familiariser avec tous les composants de l'appareil avant de l'utiliser pour la première fois. Lisez toutes les instructions, mises en garde et remarques avant d'utiliser l'appareil.
 4. Lavez tous les composants amovibles dans de l'eau savonneuse chaude, rincez bien, puis essuyez.
 5. Pour éliminer les résidus de production susceptibles de se trouver encore dans l'appareil, nous vous recommandons de faire 4 tasses d'espresso et au moins une verseuse complète avec de l'eau seulement, sans café moulu. Durant le cycle de filtrage, ouvrez la valve à vapeur pendant 5 à 10 secondes pour nettoyer la tige à vapeur.
- Une petite quantité de fumée et/ou une légère odeur pourront se dégager lors de la chauffe initiale en raison des huiles de fabrication – ceci est normal.
 - Vous pourrez entendre des bruits d'expansion/contraction durant la chauffe et le refroidissement initiaux – ceci est normal.



FONCTION D'ARRÊT AUTOMATIQUE EN OPTION

Cet appareil possède peut-être une fonction d'arrêt automatique. Si l'appareil possède cette fonction, la bouilloire à espresso et l'indicateur correspondant s'éteignent après 10 minutes d'utilisation continue. La fonction de maintien au chaud de la cafetière et l'indicateur correspondant s'éteignent après 2 heures d'utilisation continue. Pour « redémarrer » la machine à espresso ou la cafetière, positionnez l'interrupteur de mise en marche correspondant sur « off » puis repositionnez-le sur « on ». Positionnez toujours chaque interrupteur sur « off » lorsque vous n'utilisez pas l'appareil.

Bien que l'utilisation d'un cordon de rallonge ne soit pas recommandée, si vous devez en utiliser un, assurez-vous que ce cordon supporte le même nombre de watts ou un nombre de watts plus élevé que l'appareil.

Conditionnez la surface anti-adhésive en l'essuyant légèrement avec une serviette en papier ou un chiffon doux imprégné de deux cuillers à café d'huile ; essuyez la totalité de la surface anti-adhésive froide avant de mettre l'appareil en marche.

MODE D'EMPLOI DU CENTRE A CAFE 3-EN-1 – PREPARATION DE CAFE

1. Placez l'appareil sur une surface plane, sèche et réfractaire, loin du bord du plan de travail.
 2. Avec les deux interrupteurs sur ARRÊT, branchez le cordon sur une prise de terre de 120 volts (~) **uniquement**.
 3. Pivotez le panier-filtre vers l'extérieur et placez un filtre à café en papier no. 4 dans le panier-filtre. Ajoutez la quantité de café souhaitée dans le filtre. Au départ, nous recommandons une mesure (cuillère de mesure fournie) de café moulu par tasse de café. Une fois que vous aurez pris l'habitude d'utiliser la cafetière, vous pourrez ajuster la quantité de café en fonction de votre goût. **Remarque** : Le café moulu doit être approprié pour une cafetière « goutte à goutte ». N'utilisez pas de café moulu qui a la consistance d'une poudre, car l'eau chaude ne passera pas au travers et risque de déborder avec le café.
 4. Fermez le panier-filtre en le poussant fermement à l'intérieur, jusqu'à ce qu'il touche la paroi de l'appareil et que vous entendiez un déclic. Si vous ne fermez pas correctement le panier-filtre, l'eau ou le café chauds risquent de déborder. **Remarque** : Assurez-vous que le filtre est correctement calé dans le panier et qu'il ne se replie pas sur lui-même lorsque vous rentrez le panier-filtre sous peine d'entraîner un débordement d'eau ou de café chauds ou la déviation de l'eau, qui produira un café très léger.
 5. Ouvrez le réservoir à eau et versez-y la quantité désirée d'eau fraîche propre correspondant au nombre de tasses que vous voulez obtenir. Utilisez la verseuse à café et **ne dépassez jamais** le repère de remplissage maximum du réservoir. Pour un goût maximum, ne remplissez pas le réservoir d'eau chaude.
 6. Placez la verseuse avec le couvercle en place sur la plaque chauffante. Assurez-vous qu'elle est bien à plat à l'intérieur du cercle de la plaque chauffante. **Remarque** : Le couvercle doit être correctement placé sur la verseuse à café. Si ce n'est pas le cas, un débordement d'eau ou de café chauds est possible.
 7. Allumez l'appareil en appuyant sur l'interrupteur de marche/arrêt **CAFFE**. Le voyant s'allume pour indiquer le début du filtrage. **Remarque** : Tant que le voyant rouge est allumé, le café restera chaud. Si la verseuse à café est retirée avant la fin du cycle de filtrage, elle devra être correctement remise en place sur la plaque chauffante pour que le café puisse continuer à se faire et éviter les projections d'eau et de café chauds.
 8. Débranchez le cordon de la prise électrique après usage et laissez refroidir complètement le l'appareil avant de le nettoyer.
- **Utilisation de la fonction Pause 'n Serve** : La fonction Pause 'n Serve vous permet de vous verser une tasse de café avant la fin du cycle de filtrage. Pour un arôme optimum, attendez que la moitié de la quantité de café soit faite avant de retirer la verseuse. Remettez la verseuse à sa place sous 30 secondes pour que le café puisse continuer à se faire et éviter le débordement d'eau ou de café chauds. **Pour éviter les brûlures, durant le cycle de filtrage, ne retirez aucune partie de la cafetière, mis à part la verseuse.**

MODE D'EMPLOI DU CENTRE A CAFE 3-EN-1 — PREPARATION D'ESPRESSO

Le verre de la carafe à espresso comporte des marques indiquant la mesure pour 2 et 4 tasses :

Une tasse de café express égale environ 2 onces, pas les 8 onces d'une tasse graduée.

Utilisez les marques de la carafe express pour toutes les mesures suivantes.

- 2 tasses d'eau = 2 tasses d'espresso
 - 4 tasses d'eau = 4 tasses d'espresso.
1. Placez l'appareil sur une surface sèche, plane et résistant à la chaleur, loin du bord.
 2. Lorsque les deux interrupteurs sont positionnés sur « OFF », branchez le cordon dans une prise secteur de 120 volts **uniquement**.
 3. Placez le panier-filtre dans le support de filtre. Remplissez-le avec la quantité de café moulu pour espresso souhaitée. Le panier-filtre est marqué à l'intérieur afin d'indiquer la mesure correspondant à 2 et 4 tasses. Comprimez légèrement le café et retirez tout excès de café reposant sur le bord du support de filtre. Cela permettra une adaptation correcte de celui-ci à la tête de percolation. **Remarque :** Ne serrez pas trop le café ou ne mettez pas plus de café que l'indique la marque des 4 tasses à l'intérieur du panier-filtre. Ceci risquerait de provoquer une obstruction ou un débordement.
 4. Insérez le support de filtre à l'intérieur de l'appareil. Pour insérer le support de filtre, alignez la flèche située sur la protection du pouce du support de filtre en face de la flèche située du côté gauche de la machine. Rabattez la protection du pouce vers l'arrière pour la dégager. Soulevez le support de filtre à l'intérieur de la tête de percolation puis faites pivoter fermement le support de filtre vers la droite jusqu'à ce qu'il ne puisse plus pivoter davantage. La flèche sur le support de filtre devrait se trouver aussi loin à droite dans l'espace de verrouillage que possible. Si la flèche ne se trouve pas au moins au milieu de l'espace de verrouillage, retirez le support de filtre puis insérez-le à nouveau comme décrit ci-dessus jusqu'à ce que la flèche se trouve dans l'espace de verrouillage. En suivant cette procédure, vous empêcherez le support de filtre d'être déplacé lorsque la pression s'accumulera pendant le processus de percolation.
 5. Ouvrez le couvercle à charnière situé en haut à l'arrière de la machine à café puis dévissez le couvercle de la bouilloire situé à l'intérieur en le tournant dans le sens inverse des aiguilles d'une montre. Remplissez le compartiment de la bouilloire d'eau froide en utilisant les marques indiquées sur la carafe à espresso en verre. **Remarque :** Ne versez jamais d'eau à l'intérieur du compartiment de la bouilloire lorsque l'appareil est en marche si le réservoir est à haute température. Ne remplissez jamais plus de 10 oz (300ml) d'eau dans le compartiment de la bouilloire. Il est très important de remplir uniquement la quantité d'eau dont vous avez besoin à l'intérieur du compartiment de la bouilloire. Votre machine à café aura toujours besoin de traiter toute l'eau jusqu'à ce que le compartiment de la bouilloire soit vide.
 6. Remettez en place puis fixez bien le couvercle de la bouilloire en le tournant dans le sens des aiguilles d'une montre.
 7. Vérifiez que la grille anti-débordement et le socle sont en place. Placez le couvercle de la carafe à espresso de sorte que l'ouverture du couvercle soit orientée vers le bec verseur de la carafe. Placez la carafe à espresso sous le support de filtre de sorte que le bec du support de filtre se trouve dans l'ouverture de la carafe. Assurez-vous que la vanne de dégagement de la chaleur est totalement fermée (dans le sens des aiguilles d'une montre). **Remarque :** Pour préparer l'espresso directement dans deux tasses, fixez l'adaptateur pour deux tasses sur le support de filtre et assurez-vous que les tasses sont placées directement au-dessous des bords verseurs.
 8. Positionnez l'interrupteur ESPRESSO sur « ON ». Il faut environ 2 minutes pour que l'eau chauffe. L'eau traversera ensuite le café moulu sous la force de la pression jusque dans la carafe de verre ou les tasses. Patientez jusqu'à ce que toute l'eau du compartiment de la bouilloire ait été utilisée. Placez l'interrupteur ESPRESSO en position « OFF ».
- Ne dévissez pas le couvercle de la bouilloire pendant que la machine fonctionne. Patientez jusqu'à la fin du cycle de percolation et jusqu'à ce que la totalité de l'eau et de la vapeur ait été utilisée.
 - Soyez prudent en retirant le support de filtre, car les pièces métalliques seront encore très chaudes. Pour retirer le support de filtre, tournez le filtre vers la gauche, au-delà de la marque de « verrouillage » jusqu'à ce que le support soit dégagé de la machine.
 - Tenez la protection du pouce vers le bas pendant que vous jetez les grains de café moulu afin de maintenir le filtre en place.



MODE D'EMPLOI DU CENTRE A CAFE 3-EN-1 – PREPARATION DE CAPPUCCINO

- 3 tasses d'eau = 2 tasses d'espresso, plus la vapeur pour transformer le lait en mousse pour le cappuccino.
 - Capacité maximale (bas de la bande métallique autour de la carafe à espresso en verre) = 4 tasses d'espresso, plus la vapeur pour transformer le lait en mousse pour le cappuccino.
1. Suivez les étapes 1 à 7 de la section « Préparation de l'espresso » de ce manuel.
Remarque : Ne commencez pas la percolation avant l'étape 3 ci-dessous.
 2. A l'aide d'un pichet en acier inoxydable, en céramique ou en verre résistant à des températures élevées, remplissez de 4 oz de lait frais froid. Le pichet devrait avoir un grand bec et pouvoir s'adapter au-dessous de la tige de production de vapeur. Pour une meilleure performance, le pichet devrait être frais ou glacé.
 3. Positionnez l'interrupteur ESPRESSO sur « ON ». Il faut environ 2 minutes pour que l'eau chauffe. L'eau traversera ensuite le café moulu sous la force de la pression jusque dans la carafe de verre ou les tasses.
 4. Dès que l'espresso a rempli la carafe à espresso jusqu'à la marque de la mousse sur la carafe, vous pouvez commencer à transformer le lait en mousse. Immergez l'extrémité du bec de formation de mousse jusqu'à la moitié du pichet de lait. **Remarque :** N'ouvrez pas la vanne de dégagement de la vapeur avant d'avoir immergé le bec de production de vapeur dans le lait ou celui-ci va éclabousser.
 5. Tournez le bouton de dégagement de la vapeur dans le sens inverse des aiguilles d'une montre pour relâcher la vapeur dans le lait. Maintenez le pichet légèrement penché afin de toujours pouvoir voir l'emplacement du bec lorsque vous transformez le lait en mousse. Le bec de transformation du lait en mousse devrait se trouver au-dessous de la surface du lait mais pas aussi suffisamment profond pour que le haut du bec de transformation du lait en mousse se trouve dans le lait. Votre lait va immédiatement commencer à se transformer en mousse. Au fur et à mesure que la mousse augmente, continuez à abaisser le pichet de sorte que l'extrémité du bec de transformation du lait en mousse se trouve toujours légèrement au-dessous de la surface de la mousse qui s'élève.
 6. Lorsque le lait a doublé de volume, insérez le bec de transformation du lait en mousse plus profondément dans le lait afin de le chauffer. Si vous utilisez un thermomètre à boisson, la température idéale du lait à la fin de cette opération se situe entre 150° F et 170° F ou entre 66°C et 77° C. **Remarque :** Ne laissez pas le lait bouillir. Vous savez que cela s'est produit si vous remarquez une croissance brusque dans le lait et si de grosses bulles commencent à se former à la surface du lait.
 7. Fermez le bouton de dégagement de la vapeur en le tournant dans le sens des aiguilles d'une montre pendant que le bec est toujours immergé dans le lait. Ceci évitera toute projection du lait chaud. Si vous préférez une mousse plus « compacte », laissez le lait transformé en mousse reposer pendant une minute.
 8. Laissez l'espresso terminer sa percolation. Déplacez l'interrupteur de l'espresso vers la position « OFF ».
 9. Versez l'espresso dans une tasse suffisamment grande pour permettre le mélange espresso/lait transformé en mousse. Ajoutez le lait traité à la vapeur et passez une cuillère sur le lait transformé en mousse.
- Ne dévissez le couvercle de la bouilloire pendant que l'appareil fonctionne. Patientez jusqu'à la fin du cycle de percolation, jusqu'à ce que la totalité de l'eau et de la vapeur ait été utilisée et que l'appareil soit hors tension.
 - Soyez prudent en retirant le support de filtre car les pièces métalliques peuvent demeurer à haute température pendant un certain temps.
 - Nettoyez méticuleusement la tige de production de vapeur et le bec de transformation du lait en mousse après chaque utilisation afin de garantir une transformation du lait en mousse satisfaisante et sans dysfonctionnement.



PRODUCTION DE VAPEUR/MOUSSE SANS FAIRE D'ESPRESSO (AVEC LE BOUCHON DE VAPEUR)

1. Placez les interrupteurs ESPRESSO et CAFFÈ sur ARRÊT. Assurez-vous que l'appareil est assez froid pour être manipulé et que la pression s'est dissipée.
2. Insérez le bouchon dans le porte-filtre, puis insérez le porte-filtre dans l'appareil. Pour insérer le porte-filtre, alignez la flèche située le garde-pouce du porte-filtre sur celle située sur la gauche de l'appareil. Remontez le porte-filtre dans la tête de filtrage et tournez le porte-filtre fermement vers la droite jusqu'à ce qu'il bute. La flèche du porte-filtre doit être le plus à droite possible. Si elle n'atteint pas au minimum le centre de la plage de blocage, retirez le porte-filtre et réinsérez-le comme indiqué ci-dessus jusqu'à ce que la flèche se situe dans la plage de blocage. Suivez cette procédure pour empêcher le déplacement du porte-filtre à mesure que la pression monte durant le filtrage.
3. Pour une production de vapeur uniquement, ne remplissez pas la verseuse à espresso en verre au-delà du repère « 2 tasses ». Remplissez le réservoir d'eau froide. Tenez votre pichet rempli de 120 ml de lait froid prêt à chauffer.
4. Placez la verseuse à espresso en verre avec son couvercle sous le porte-filtre et placez l'interrupteur espresso sur MARCHÉ. Desserrez immédiatement le bouton de dissipation de vapeur.
5. Enfoncez la buse à vapeur à mi-hauteur dans le pichet de lait. Il faut compter 30 à 60 secondes après la mise en marche de l'appareil pour voir la vapeur sortir de la buse. Tenez le pichet légèrement incliné pour pouvoir toujours voir la position de la buse lorsque vous faites mousser le lait. La buse à vapeur doit se trouver sous la surface du lait, mais sans être complètement immergée. Le lait commence à mousser. Lorsque la mousse monte, continuez à abaisser le pichet pour que l'extrémité de la buse à vapeur se trouve toujours juste en dessous de la surface de la mousse montante.
6. Une fois que le lait a doublé de volume, insérez la buse à vapeur plus profondément dans le lait pour chauffer le lait. **Remarque** : Si vous utilisez un thermomètre à boissons, la température idéale du lait fini est comprise entre 150 et 170 °F (66 et 77 °C). Ne laissez pas bouillir le lait. Le lait bout lorsque son volume augmente subitement et que de grandes bulles commencent à se former à la surface du lait.
7. Une fois l'opération terminée, desserrez le bouton de dissipation de vapeur en le tournant dans le sens inverse des aiguilles d'une montre en gardant la buse plongée dans le lait. pour éviter les projections de lait chaud. Si vous préférez une mousse « ferme », laissez reposer le lait mousseux pendant une minute.
8. Placez l'interrupteur espresso sur ARRÊT.

Remarques : Si vous n'avez pas utilisé toute l'eau pour la production de vapeur, procédez comme suit :

1. Avec l'appareil éteint, dissipez la vapeur sous pression résiduelle dans un autre récipient.
2. Ne resserrez pas le bouton de dissipation de vapeur avant d'avoir dissipé toute la vapeur ; cf. « **Précautions liées à la pression** » dans ce manuel.

PRESSION – CONTROLE ET DISSIPATION

Contrôle de pression

1. Placez les interrupteurs Espresso et CAFFE sur ARRÊT et débranchez l'appareil de la prise électrique.
2. Ouvrez avec précaution la valve de dissipation de pression en tournant lentement le bouton dans le sens inverse des aiguilles d'une montre. Si de la vapeur sort de la buse, le réservoir est encore sous pression.
3. Si c'est le cas, resserrez la valve de dissipation de pression et procédez comme suit pour dissiper la pression.

Dissipation de pression

1. Tenez un pichet d'eau sous la tige à vapeur et plongez la buse dans l'eau.
2. Desserrez lentement la valve de dissipation de pression et laissez s'échapper la vapeur dans l'eau.
3. Dès que la vapeur cesse de sortir de la tige, ouvrez lentement le bouchon du réservoir.

NETTOYAGE DU CENTRE A CAFE 3-EN-1 - GENERALITES

1. Placez les deux interrupteurs sur ARRÊT, débranchez le cordon de la prise électrique après usage et laissez refroidir complètement l'appareil avant de le nettoyer.
2. Retirez et jetez le marc de café à espresso et le filtre jetable le contenant. Nettoyez la tête de filtrage avec un chiffon humide.
3. Retirez et nettoyez le porte-filtre à espresso, le godet, le panier-filtre, la grille de débordement, la base de la grille, les verseuses et les couvercles dans une solution d'eau chaude et de savon liquide doux. Rincez soigneusement et séchez.
4. S'il reste de l'eau dans les réservoirs, videz-les par l'ouverture en haut de l'appareil, en le retournant. **Remarque** : Ne nettoyez pas l'intérieur des réservoirs d'eau avec un chiffon ou du papier absorbant sous peine d'y laisser des particules qui risquent de boucher les petits orifices de la cafetière. Il vous suffit de rincer périodiquement les réservoirs à l'eau froide.
5. Retirez la buse à vapeur en caoutchouc de la tige à vapeur. Nettoyez minutieusement la buse et la tige avec une solution d'eau chaude et du savon liquide doux. Rincez bien et remettez la buse en caoutchouc sur la tige à vapeur.
6. L'extérieur de l'appareil peut être nettoyé avec un chiffon humide.
7. Détartrez périodiquement l'appareil. Reportez-vous à la section « Détartrage du centre à café 3-en-1 ».

NETTOYAGE DU CENTRE A CAFE 3-EN-1 - NETTOYAGE DE LA BUSE A VAPEUR

- Des résidus de lait s'accumuleront dans l'extrémité de la buse après avoir fait mousser le lait. Il est très important, après avoir retiré la buse à vapeur, de la nettoyer avec un chiffon humide après chaque utilisation. Cette précaution permet d'empêcher la buse de se boucher et garantit une mousse de qualité. Si la buse à vapeur se bouche, procédez comme suit :
1. Assurez-vous que : les interrupteurs sont sur ARRÊT, l'appareil est débranché de la prise électrique, toute la pression a été dissipée et l'appareil a complètement refroidi.
 2. Retirez la buse en caoutchouc et son capuchon à l'aide de l'outil situé à l'extrémité de la cuillère de mesure du café fournie avec l'appareil.
 3. Nettoyez la buse à l'eau chaude et assurez-vous que le petit orifice au bout est dégagé.
 4. Rattachez la buse, fixez-y le capuchon en serrant bien et glissez la buse en caoutchouc sur la tige à vapeur.

DETARTRAGE DU CENTRE A CAFE 3-EN-1 - GENERALITES

- Avec le temps, des dépôts calcaires s'accumuleront sur les composants internes de la cafetière et compromettent le fonctionnement de l'appareil, entraînant la nécessité d'un détartrage. La fréquence de détartrage dépend de la dureté de l'eau et de la fréquence d'utilisation de l'appareil. Signes d'une décalcification nécessaire :
 - Appareil plus bruyant en cours de fonctionnement.
 - Vapeur excessive.
 - Cycles de filtrage plus longs.
 - Arrêt du pompage avant que toute l'eau n'ait été pompée du réservoir.
- Si vous utilisez régulièrement la cafetière, le détartrage doit se faire à la fréquence suivante :
 - Avec de l'eau douce, détartrez une fois par an.
 - Avec de l'eau de dureté moyenne, détartrez tous les 3 mois.
 - Avec de l'eau dure, détartrez une fois par mois.
- Nous recommandons l'utilisation de vinaigre pour le détartrage.

DETARTRAGE DU CENTRE A CAFE 3-EN-1

Machine à espresso

- Dissipez toute la pression et laissez refroidir complètement l'appareil avant de détartre.
- Versez 240 ml (repère 4 tasses de la verseuse à espresso) de vinaigre blanc non dilué frais dans le réservoir à eau.
- En suivant les instructions de la section « Préparation d'espresso », passez le vinaigre en utilisant le cycle espresso, mais sans utiliser de café.
- Placez une tasse d'eau fraîche sous la tige à vapeur. Une fois la solution pompée à travers l'appareil et au repère « 2 tasses » sur la verseuse à espresso, insérez la tige dans l'eau et desserrez la valve de dissipation de pression pendant 10 à 15 secondes. Resserrez la valve et attendez que le vinaigre résiduel soit pompé dans la verseuse.
- Reprenez deux fois la procédure ci-dessus en utilisant de l'eau fraîche et propre pour rincer toutes les traces résiduelles de vinaigre du système.

Cafetière

- Dissipez toute la pression et laissez refroidir complètement l'appareil avant de détartre.
- Versez 600 ml (repère 4 tasses de la verseuse) de vinaigre blanc non dilué frais dans le réservoir à eau.
- En suivant les instructions de la section « Préparation d'espresso », passez le vinaigre en utilisant le cycle café, mais sans utiliser de café.
- Reprenez deux fois la procédure ci-dessus en utilisant de l'eau fraîche et propre pour rincer toutes les traces résiduelles de vinaigre du système.

PROBLEMES ET CAUSES

- Du café ou de l'eau fuit du panier-filtre :
 - Le filtre est mal installé ou replié.
 - Le panier n'est pas bien rentré.
 - La verseuse ou son couvercle ne sont pas installés.
 - Trop de café dans le filtre.
 - La valve du panier-filtre est sale, cassé ou manquante.
- Le café ne sort pas ou sort très lentement :
 - Pas d'eau dans le réservoir.
 - Pas de café dans le filtre.
 - Le panier n'est pas bien rentré.
 - La verseuse ou son couvercle ne sont pas installés.
 - Filtre bouché car le café moulu est trop fin ou trop tassé.
 - L'appareil doit être détartré.
- De l'espresso fuit du porte-filtre :
 - Pas de filtre à espresso.
 - Porte-filtre mal inséré.
 - Porte-filtre non bloqué en position.
 - Café moulu sur le bord du filtre et du porte-filtre.
 - Joint interne à la tête à espresso sale et nécessitant un nettoyage.
 - Joint interne à la tête à espresso endommagée et nécessitant un remplacement.
- L'espresso ne sort pas ou sort très lentement :
 - Pas d'eau dans le réservoir.
 - Pas de café dans le filtre.
 - Filtre bouché car le café moulu est trop fin ou trop tassé.
 - L'appareil doit être détartré.
- La vapeur ne sort pas de la tige à vapeur :
 - Pas d'eau ou pas assez d'eau dans le réservoir.
 - Pas de café ni bouchon à vapeur dans le porte-filtre à espresso.
 - Buse à vapeur bouchée.
 - L'appareil doit être détartré.
- Pas assez de mousse dans le lait :
 - Buse à vapeur plongée trop profondément dans le lait ou qui touche le fond du pichet.
 - Les orifices supérieurs de la buse à vapeur sont plongés dans le lait.
 - Pichet pas assez froid.
 - Lait pas assez frais ou froid.
 - Lait trop épais.
 - Buse à vapeur bouchée.

GARANTIE DU PRODUIT

Garantie limitée d'1 an de l'appareil

Focus Electrics, LLC garantit cet appareil contre tout défaut de pièce et de main d'œuvre pendant un (1) an à compter de la date d'achat d'origine avec un justificatif d'achat à condition que l'appareil soit utilisé et entretenu conformément avec le Mode d'emploi de Focus Electrics. Toute pièce défectueuse de l'appareil sera réparée ou remplacée sans frais à la discrétion de Focus Electrics. Cette garantie s'applique en cas d'utilisation domestique en intérieur uniquement.

La présente garantie ne couvre aucun dommage, notamment la décoloration, de toute surface antiadhésive de l'appareil. Cette garantie est nulle et non avenue, tel que déterminé uniquement par Focus Electrics si l'appareil est détérioré à la suite d'un accident, d'une mauvaise utilisation, d'une utilisation abusive, d'une négligence, d'une rayure ou si l'appareil est modifié de toute manière.

LA PRÉSENTE GARANTIE ANNULE ET REMPLACE TOUTE GARANTIE INDIUITE, NOTAMMENT LES GARANTIES DE COMMERCIALISATION, D'ADAPTATION À UN USAGE PARTICULIER, DE PERFORMANCE, OU AUTRE QUI SONT ICI EXCLUES. EN AUCUN CAS FOCUS ELECTRICS. NE POURRA ÊTRE TENUE POUR RESPONSABLE DE TOUT DOMMAGE, QUE CELUI-CI SOIT DIRECT, INDIRECT, INDUIT, PRÉVISIBLE, SECONDAIRE OU PARTICULIER, RÉSULTANT DE L'UTILISATION DE OU EN RELATION AVEC CET APPAREIL.

Si vous pensez que cet appareil est défectueux ou nécessite des réparations pendant la durée de sa garantie, veuillez contacter le Service clientèle de Focus Electrics au (866) 290-1851 ou nous envoyer un e-mail à service@focuslectrics.com. Les frais de transport de retour ne sont pas remboursables. Une facture justifiant la date d'achat d'origine sera nécessaire pour toute demande dans le cadre de la garantie. Les factures manuscrites ne sont pas acceptées. Focus Electrics n'est pas responsable pour les retours perdus pendant le transport.

Valide uniquement aux USA et au Canada

PIECES DE RECHANGE

Les pièces de rechange, lorsque celles-ci sont disponibles, peuvent être commandées directement auprès de Focus Electrics en ligne sur www.focuslectrics.com. Ou vous pouvez téléphoner ou adresser un e-mail au service des réparations au numéro/à l'adresse e-mail ci-dessus, ou en nous écrivant à :

Focus Electrics, LLC
Attn: Customer Service
P. O. Box 2780
West Bend, WI 53095

Assurez-vous d'indiquer le numéro de catalogue/modèle de votre appareil (situé au bas/dos de l'appareil) et une description ainsi qu'une quantité pour la pièce que vous souhaitez commander. Joignez à ces informations votre nom, votre adresse postale, votre numéro de carte Visa/MasterCard, la date d'expiration et le nom du titulaire tel qu'il apparaît sur la carte. Les chèques peuvent être libellés à l'ordre de Focus Electrics, LLC. Appelez le Service clientèle pour obtenir le montant de l'achat. La taxe commerciale de votre état et des frais de transport/traitement seront ajoutés à votre facturation totale. Veuillez autoriser deux (2) semaines pour la livraison.

Ce manuel contient des informations importantes et utiles concernant l'utilisation et l'entretien sans danger de votre nouveau produit Focus Electrics. Pour une consultation ultérieure, fixez le ticket de caisse daté pour avoir un justificatif d'achat pour la garantie et indiquez les informations ci-dessous:

Date d'achat ou de réception en cadeau : _____

Lieu d'achat et prix, si connu : _____

Numéro de l'article et Code de date (indiqué au bas/dos du produit) : _____

WEST BEND®

CAFETERA 3 EN 1

Manual de instrucciones



Registre éste y otros productos de Focus Electrics en nuestro sitio:
www.focuselectrics.com en Internet

Precauciones importantes	2
Precauciones de calentamiento	2
Precauciones eléctricas	3
Precauciones sobre presión	4
Precauciones de uso cerca de niños	4
Precauciones sobre la jarra de vidrio	4
Uso de la cafetera 3 en 1 – Primer uso	5
Uso de la cafetera 3 en 1 – Preparación de café	6
Uso de la cafetera 3 en 1 – Preparación de café expreso	7
Uso de la cafetera 3 en 1 – Preparación de café capuchino	8
Vaporización/espumación sin preparar café expreso	9
Presión - Inspección y liberación	10
Limpieza de la cafetera 3 en 1	10
Descalcificación de la cafetera 3 en 1	11
Problemas y causas	12
Garantía	13

CONSERVE ESTAS INSTRUCCIONES COMO REFERENCIA PARA EL FUTURO

PRECAUCIONES IMPORTANTES



PRECAUCIÓN

Para evitar lesiones personales o daños materiales, lea y acate todas las instrucciones y advertencias.

Al utilizar aparatos eléctricos, siempre deben acatarse las precauciones básicas de seguridad incluyendo las siguientes:

- Lea todas las instrucciones, incluyendo estas precauciones importantes, así como las instrucciones de uso y cuidado en este manual.
- No utilice el aparato para usos distintos del indicado.
- No deje la unidad desatendida cuando esté enchufada en un tomacorriente eléctrico.
- No coloque el aparato sobre ni cerca de un quemador a gas o eléctrico, ni tampoco en un horno calentado.
- No lo opere cuando no funcione correctamente o haya sido dañado de algún modo. Para información sobre el centro de servicio, refierase a la página de garantía.
- El uso de accesorios no recomendados por Focus Electric's pudiera causar fuegos, descargas eléctricas o lesiones a la personas.
- No trate de reparar este aparato usted mismo.
- **Para uso doméstico solamente.**



PRECAUCIÓN

Para evitar quemaduras, lesiones personales o daños materiales, lea y acate todas las instrucciones y advertencias.



PRECAUCIONES DE CALENTAMIENTO

- No toque las superficies calientes. Use las agarraderas o las perillas.
- No traslade un aparato que contenga alimentos o líquidos calientes.
- No llene el depósito de agua ni el hervidor mientras el aparato esté encendido. Apague la máquina y deje que se enfríe antes de llenarla con agua.
- Cerciórese de que la cesta esté correctamente cerrada durante el proceso de preparación. De lo contrario el agua o el café calientes podrían derramarse.
- Cerciórese de que la jarra de vidrio esté en su lugar cuando prepare café. De lo contrario, el agua o el café calientes se derramarán.
- Durante el ciclo de preparación de café, no retire ninguna pieza de la cafetera aparte de la jarra, ya que podría quemarse.
- Durante el proceso de preparación de café, la tapa de la jarra debe estar en su lugar y correctamente situada sobre la misma, porque de lo contrario el agua o el café calientes podrían derramarse.
- Siempre use café correctamente molido. El usar café demasiado fino podría obstruir el filtro y hacer que el agua/café calientes se derramen.
- Tenga cuidado al retirar el portafiltro de café expreso. Las piezas metálicas permanecen calientes tras el funcionamiento. Consulte la sección Precauciones sobre presión.
- Deje que un aparato se enfríe completamente antes de poner o quitar alguna parte, y antes de limpiar o guardar.
- Puede sufrir quemaduras si la tapa es retirada durante el ciclo de preparación.



PRECAUCIÓN

Para evitar descargas eléctricas, lesiones personales o daños materiales, lea y acate todas las instrucciones y advertencias.



PRECAUCIONES ELÉCTRICAS

- Como protección contra fuegos, descargas eléctricas y lesiones a las personas, nunca sumerja el cordón eléctrico, los enchufes o cualquier parte eléctrica en agua u otros líquidos.
- No opere ningún aparato cuyo cable de alimentación o enchufe estén dañados.
- No use este aparato a la intemperie.
- No conecte el cable en el tomacorriente si los dos interruptores de alimentación no están en la posición "OFF" (apagada).
- Siempre coloque ambos interruptores en dicha posición y desenchufe el aparato del tomacorriente cuando no esté en uso y antes de limpiarlo. Deje que se enfríe antes de poner o quitar alguna parte, y antes de limpiar.
- Se suministra un cordón eléctrico corto para reducir los riesgos que resultan de enredarse o tropezarse con un cordón eléctrico más largo.
- Hay disponibles cordones de alimentación eléctrica desmontables más largos o extensiones eléctricas y pueden ser utilizados si se ejerce cuidado al usarlos. Mientras el uso de una extensión eléctrica no es recomendado, si usted debe usar una, la capacidad eléctrica nominal marcada en el cordón desmontable de alimentación eléctrica o la extensión eléctrica deberá ser al menos la misma que la capacidad eléctrica nominal del artefacto electrodoméstico. Si el artefacto electrodoméstico es del tipo conectado a tierra, la extensión eléctrica deberá ser un cordón eléctrico de 3 hilos con conexión a tierra. El cordón eléctrico debería ser extendido de tal manera que no pase sobre encimeras o mesas donde pueda ser tirado por niños o tropezarse con el mismo.
- Este artefacto tiene un enchufe polarizado (una clavija es más ancha que la otra). Para reducir el riesgo de descarga eléctrica, este enchufe está diseñado para encajar de una sola manera en un tomacorriente polarizado. Invierta el enchufe si éste no encaja completamente en el tomacorriente o en el cable de extensión. Si todavía no encaja, póngase en contacto con un electricista calificado. No trate de modificar el enchufe de manera alguna.
- No use un tomacorriente o cable de extensión si el enchufe calza flojamente, o si el tomacorriente o el cable de extensión se calientan.
- Mantenga el cable alejado de las piezas calientes del aparato y superficies calientes durante el uso.



PRECAUCIÓN

Para prevenir quemaduras u otras lesiones, lea y acate todas las instrucciones y advertencias.

PRECAUCIONES SOBRE PRESIÓN

- Siempre verifique si el sistema está bajo presión (consulte las instrucciones de la página 9) antes de tocar la tapa del hervidor o el portafiltro de café expreso.
- Cerciórese de que el portafiltro esté trabado antes de activar la función de café expreso en el aparato.
- Cerciórese de que la tapa del hervidor esté correcta y totalmente apretada antes de activar la función de café expreso.
- No toque la tapa del hervidor en ningún momento durante el proceso de preparación de café expreso; espere hasta que la unidad haya liberado totalmente la presión.
- No toque el portafiltro de café expreso en ningún momento durante el proceso de preparación; espere hasta que la unidad haya liberado totalmente la presión.



PRECAUCIÓN

Para prevenir quemaduras u otras lesiones en los niños, lea y acate todas las instrucciones y advertencias.

PRECAUCIONES DE USO CERCA DE NIÑOS

- Se requiere de supervisión adulta cuando cualquier artefacto electrodoméstico sea usado por o cerca de niños.
- No permita que el cable cuelgue de algún borde, donde pueda ser alcanzado por los niños. Coloque el cable de modo que impida lesiones que resulten del halar, tropezarse o enredarse en el mismo.

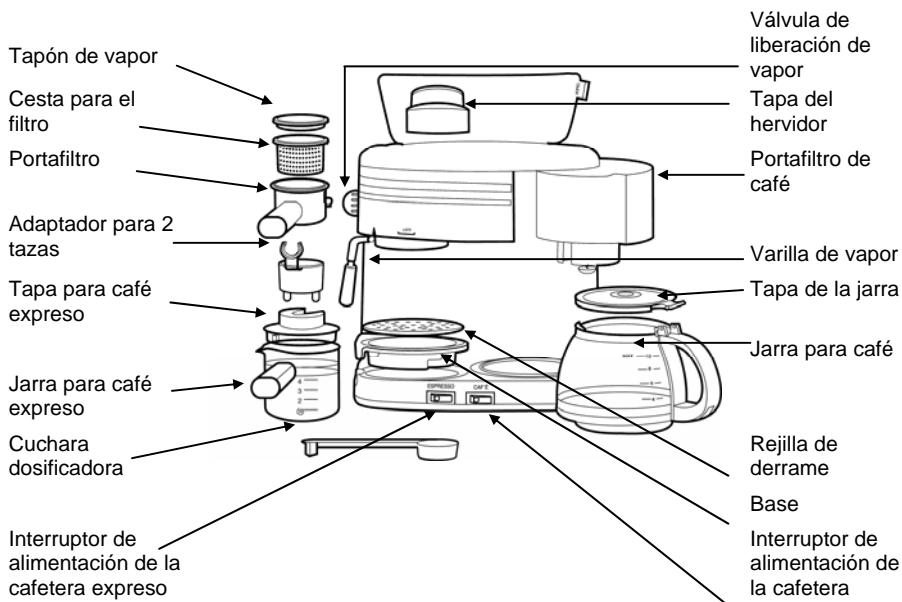


PRECAUCIÓN

PRECAUCIONES SOBRE LA JARRA DE VIDRIO

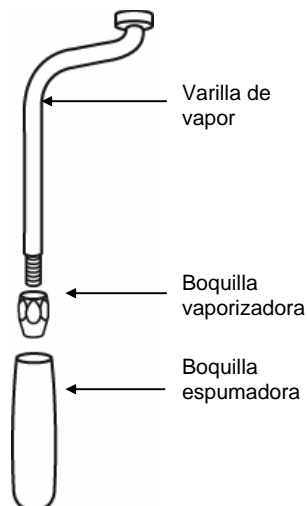
- Las jarras están diseñadas para usarse exclusivamente con este aparato. No use las jarras con ningún otro aparato ni les dé un uso distinto de aquel para el cual están diseñadas.
- No ponga los carafes en las superficies calientes, una tapa de la gama, o en un horno calentado.
- No coloque una jarra caliente sobre una superficie húmeda o fría.
- No use la jarra si está agrietada o tiene la manija suelta o defectuosa.
- No limpie las jarras con esponjas metálicas ni limpiadores o materiales abrasivos.

CONSERVE ESTAS INSTRUCCIONES



USO DE LA CAFETERA 3 EN 1 – PRIMER USO

1. Coloque el aparato sobre una superficie seca, nivelada y resistente al calor, lejos de todo borde.
2. Con ambos interruptores en la posición "OFF" (apagado), enchufe el cable **sólo** en un tomacorriente de 120 voltios de CA.
3. Familiarícese con todas las piezas de la máquina antes de usarla por primera vez. Lea todas las instrucciones, precauciones y notas antes de usar el aparato.
4. Lave todas las piezas sueltas en agua caliente con detergente, enjuáguelas totalmente y séquelas.
5. Para eliminar los residuos de materiales de fabricación que pudieran haber quedado en el aparato, se recomienda preparar 4 tazas de café expreso y al menos una jarra completa de café de filtro solamente con agua, es decir, sin agregar café molido. Durante el funcionamiento, abra la válvula de vapor durante 5 a 10 segundos para limpiar la varilla de vapor.



- Puede notarse algo de humo o un olor extraño debido a los aceites empleados en el proceso de fabricación – esto es normal.
- Asimismo, pueden notarse algunos sonidos de expansión o contracción leves durante el calentamiento o enfriamiento – lo cual también es normal.

FUNCIÓN OPCIONAL DE APAGADO AUTOMÁTICO

Este artefacto electrodoméstico puede venir equipado con una función de Apagado Automático. Cuando está equipado con el Apagado Automático, el hervidor para el café expreso y el indicador correspondiente se apagarán después de 10 minutos de uso continuo. La función para mantener caliente la cafetera y el indicador correspondiente se apagarán después de 2 horas de uso continuo. Para "reiniciar" el café expreso o la cafetera, pase el interruptor de encendido correspondiente a la posición apagada ("off") y luego vuelva a encenderlo ("on"). Siempre pase cada interruptor de encendido a la posición apagada cuando termine de usar el artefacto electrodoméstico.

No se recomienda usar una extensión eléctrica, pero si debe hacerlo, asegúrese de que el cordón eléctrico tenga el mismo o mayor vataje que la plancha de calentamiento.

Acondicione el acabado antiadherente frotando suavemente dos cucharaditas de aceite de cocinar sobre toda la superficie con una toalla de papel o un trapo suave mientras esté fría y antes de encenderla.

USO DE LA CAFETERA 3 EN 1 – PREPARACIÓN DE CAFÉ

1. Coloque el aparato sobre una superficie seca, nivelada y resistente al calor, lejos de todo borde.
 2. Con ambos interruptores en la posición "OFF" (apagado), enchufe el cable **sólo** en un tomacorriente de 120 voltios de CA.
 3. Gire hacia afuera la cesta de preparación y coloque un filtro de papel No. 4 en la cesta. Agregue al filtro la cantidad deseada de café. Para comenzar se recomienda usar una medida (cuchara dosificadora incluida) de café molido por cada taza de café. Tras haber usado la cafetera un par de veces, ajuste la cantidad de café a su gusto. **Nota:** Use café que haya sido molido en forma apta para una cafetera tipo "goteo". No use café molido que tenga una consistencia similar al café en polvo, ya que ello impedirá que el agua pase por el café, o hará que éste o el agua calientes se derramen.
 4. Cierre la cesta firmemente hasta que toque el lado de la máquina y calce en su lugar emitiendo un chasquido. De lo contrario el agua o el café calientes podrían derramarse. **Nota:** Cerciórese de que el filtro esté correctamente asentado en la cesta y no se doble sobre sí mismo al cerrarla, ya que el agua o el café calientes podrían derramarse o no pasar por el café produciendo un café de calidad deficiente.
 5. Abra el depósito de agua abisagrado y vierta la cantidad deseada de agua fría según la cantidad de tazas de café que preparará. Al usar la jarra, **nunca** vierta agua en el depósito más allá del nivel máximo marcado. Para obtener un sabor óptimo no use agua tibia ni caliente en el depósito.
 6. Coloque la jarra tapada en la placa de calentamiento. Cerciórese de que la jarra quede asentada a ras sobre el círculo interno de la placa. **Nota:** La tapa de la jarra debe estar correctamente situada sobre la misma. De lo contrario el agua o el café calientes podrían derramarse.
 7. Encienda la máquina mediante el interruptor **CAFFE**. La luz indicadora se iluminará señalando que se ha iniciado el proceso de preparación. **Nota:** El café se mantendrá tibio mientras la luz indicadora roja permanezca iluminada. Si se retira la jarra antes de que concluya el ciclo de preparación de café, ésta luego deberá colocarse correctamente en la placa de calentamiento para que el café pueda continuar preparándose e impedir que éste o el agua calientes se derramen.
 8. Desenchufe el cable eléctrico del tomacorriente después de usar la cafetera 3 en 1 y deje que se enfríe totalmente antes de limpiarla.
- **Uso de la función Pause 'n Serve (pausa y servir):** Esta función permite servir una taza de café durante el proceso de preparación. Para obtener un sabor óptimo, deje que se haya preparado la mitad del café antes de retirar la jarra. Vuelva a poner la jarra dentro de 30 segundos para que el café pueda seguir preparándose e impedir que éste o el agua calientes se derramen. **Para impedir lesiones por quemaduras, no retire ninguna pieza de la cafetera aparte de la jarra durante el funcionamiento.**

USO DE LA CAFETERA 3 EN 1 – PREPARACIÓN DE CAFÉ EXPRESO

La jarra de vidrio para el café expreso tiene marcas para 2 y 4 tazas: Una taza de café expreso tiene aproximadamente 2 onzas y no es igual a una taza de medición de 8 onzas. Para todas las mediciones a continuación, use las marcas para café expreso indicadas en la jarra:

- 2 tazas de agua = 2 tazas de café expreso
 - 4 tazas de agua = 4 tazas de café expreso
1. Coloque el artefacto sobre una superficie seca, nivelada, y resistente al calor, lejos de cualquier borde.
 2. Con ambos interruptores en la posición APAGADA ("OFF"), enchufe el cordón eléctrico **solamente** en un tomacorriente de 120 voltios CA.
 3. Coloque la cesta del filtro de la cafetera expreso en el portafiltros. Llénelo con la cantidad deseada de café expreso molido. La cesta del filtro está marcada en la parte de adentro para 2 y 4 tazas. Comprima levemente al café y elimine cualquier café excedente del borde del portafiltros. Esto asegurará que el portafiltros encaje bien en el cabezal de la cafetera. **Nota:** No comprima demasiado al café ni ponga más café que el que la marca de 4 tazas en la cesta del filtro indica. Esto puede ocasionar taponamiento o derrame.
 4. Inserte el portafiltros dentro del artefacto. Para insertar el portafiltros, alinee la flecha ubicada en el protector del pulgar del portafiltros con la flecha en el lado izquierdo de la máquina. Voltee el protector del pulgar hacia atrás y apártelo. Levante el portafiltros hasta el cabezal de la cafetera y gírelo firmemente hacia la derecha hasta que no pueda girar más. La flecha del portafiltros deberá estar lo más a la derecha posible en la zona de cierre. Si la flecha no está por lo menos en el medio de la zona de cierre, retire el portafiltros e insértelo de nuevo tal como se indica en el párrafo anterior hasta que la flecha esté dentro del área de cierre. El acatar este procedimiento prevendrá que el portafiltros se mueva de su sitio al aumentar la presión cuando se prepara el café.
 5. Abra la tapa embisagrada ubicada en la parte superior trasera del centro de café y desenrosque el tapón del hervidor ubicado adentro girándolo en dirección contraria a las agujas del reloj. Llene la cámara del hervidor con agua fría usando las marcas indicadas en la jarra de vidrio para el café expreso. **Nota:** Nunca vierta agua en la cámara del hervidor mientras el artefacto esté encendido si el tanque está caliente. Nunca llene más de 10 onzas (300ml) de agua en la cámara del hervidor. Es sumamente importante llenar la cámara del hervidor solamente con la cantidad de agua estrictamente necesaria. Su máquina de café siempre necesitará procesar toda el agua hasta vaciarse la cámara del hervidor.
 6. Vuelva a colocar el tapón del hervidor y apriételo girándolo en dirección de las agujas del reloj
 7. Asegúrese de que la parrilla contra derrames y la base estén en su sitio. Tape la jarra del café expreso con su tapa de manera que los puntos de abertura de la tapa apunten hacia el pico de la jarra. Coloque la jarra del café expreso debajo del portafiltros de manera que la boquilla del portafiltros quede colocado en la abertura de la jarra. Asegúrese de que la válvula de liberación del vapor esté totalmente cerrada (en dirección de las agujas del reloj). **Nota:** Para preparar el café expreso directamente a dos tazas, acople el adaptador de dos tazas al portafiltros y asegúrese de colocar las tazas directamente debajo de las boquillas.
 8. Coloque el interruptor EXPRESO en la posición "ON" (encendido). Le tomará al agua aproximadamente 2 minutos en calentarse. El agua entonces será forzada a través del café molido a la jarra de vidrio o a las tazas. Espere hasta que se haya consumido toda el agua en la cámara del hervidor. Coloque el interruptor EXPRESO en la posición "OFF" (apagado).
 - No desenrosque el tapón del hervidor mientras la máquina esté en operación. Espere hasta haberse completado el ciclo de preparación y se haya usado todo el agua y vapor.
 - Tenga cuidado al retirar el portafiltros, pues las partes metálicas pudieran estar aún calientes. Para retirar el portafiltros, gírelo hacia la izquierda, más allá de las marcas de "cierre" ("lock") hasta que el filtro se suelte de la máquina.
 - Para mantener al filtro en sitio, apriete el protector de pulgar hacia abajo mientras desecha los posos de café..



USO DE LA CAFETERA 3 EN 1 – PREPARACIÓN DE CAFÉ CAPUCHINO

- 3 tazas de agua = 2 tazas de café exprés, más el vapor para espumar la leche para el capuchino
 - Máxima capacidad (parte inferior de la banda de metal alrededor de la jarra de vidrio para el café exprés) = 4 tazas de café exprés, más el vapor para espumar la leche para el capuchino.
1. Siga los pasos 1-7 en la sección "Preparación de un exprés" de este manual. **Nota:** No empiece a preparar el café hasta el paso 3 abajo.
 2. Llene una jarra de acero inoxidable, cerámica o de vidrio resistente a altas temperaturas con 4 onzas de leche fresca fría. La jarra deberá de ser de boca ancha y deberá caber debajo del vástago de vapor. Para un mejor rendimiento la jarra deberá estar fría o congelada.
 3. Coloque el interruptor EXPRESSO en la posición "ON" (encendido). Le tomará al agua aproximadamente 2 minutos en calentarse. El agua entonces será forzada a través del café molido a la jarra de vidrio o las tazas.
 4. Tan pronto como el café exprés hay llenado la jarra de café hasta la marca de la espuma en la jarra, podrá comenzar a espumar la leche. Sumerja la punta de la boquilla para espumar a la mitad de la jarra de leche. **Nota:** No abra la válvula de liberación de vapor antes de sumergir la boquilla de vapor en la leche o de lo contrario la leche salpicará.
 5. Gire la perilla de liberación de vapor en la dirección contraria a las agujas del reloj para liberar vapor dentro de la leche. Mantenga la jarra de leche levemente inclinada de manera que siempre pueda ver la posición de la boquilla mientras espuma la leche. La boquilla de espumar deberá mantenerse debajo de la superficie de la leche pero no tan abajo que permita que la parte superior de dicha boquilla entre en la leche. La leche empezará a espumarse inmediatamente. En la medida que la espuma suba, siga bajando la jarra de manera que la punta de la boquilla de espumar siempre se encuentre levemente por debajo de la superficie de la espuma ascendiente.
 6. Cuando se haya doblado el volumen de la leche inserte la boquilla de espumar más profundamente dentro de la leche con el fin de calentarla. Si usa un termómetro para bebidas, la temperatura ideal de la leche ya calentada es de 150-170°F o 66°-77°C. **Nota:** No permita que hierva la leche. Sabrá que esto ha ocurrido cuando hay un crecimiento repentino de la leche y se empiezan a formar burbujas grandes en la superficie de la misma.
 7. Cierre la perilla de liberación de vapor girándola en la dirección de las agujas del reloj mientras la boquilla aún esté inmersa en la leche. Esto evitará que salpique la leche caliente. Si prefiere una espuma "tiesa", deje reposar la leche espumada durante un minuto.
 8. Permita que el café exprés se termine de colar. Mueva el interruptor EXPRESSO a la posición "OFF" (apagado).
 9. Vierta el café exprés en una taza suficientemente grande para la combinación del café y la leche. Agregue la leche calentada y cucharee la leche espumada.
- No desenrosque el tapón del hervidor mientras la máquina esté en operación. Espere hasta completar el ciclo de preparación, que toda el agua y el vapor se hayan usado y la máquina esté apagada.
 - Tenga cuidado al retirar el portafiltros, pues las partes metálicas pudieran permanecer calientes por un rato.
 - Después de cada uso, limpie a fondo el vástago de vapor y la boquilla para espumar para así asegurar un espumado satisfactorio y sin problemas.



VAPORIZACIÓN/ESPUMACIÓN SIN PREPARAR CAFÉ EXPRESO (USANDO EL TAPÓN DE VAPOR)

1. Coloque los interruptores Espresso y Caffè en la posición "OFF" (apagado). Cerciórese de que el aparato esté lo suficientemente fría para manipularla y que se haya liberado la presión.
2. Introduzca el tapón de acumulación de vapor en el portafiltro y luego coloque este último en el aparato. Para ello, alinee la flecha situada en la protección manual del portafiltro con la flecha del lado izquierdo de la máquina. Levante el portafiltro al interior del cabezal de preparación y gírelo firmemente hacia la derecha hasta que ya no pueda hacerlo. La flecha del portafiltro deberá quedar en el margen de cierre máximo posible. Si la flecha no está al menos en el margen intermedio, retire el portafiltro y vuelva a introducirlo tal como se explicó anteriormente hasta que la flecha quede dentro del margen de cierre. Este procedimiento impedirá que el portafiltro se desenganche, a medida que aumenta la presión durante el proceso de preparación.
3. Para vaporizar solamente, no llene la jarra para café expreso más allá de la marca de 2 tazas. Llene la cámara del hervidor con agua fría. Prepare el jarro con 4 onzas de leche fría lista para calentarla.
4. Coloque la jarra para café expreso con la tapa puesta debajo del portafiltro y coloque el interruptor Espresso en la posición "ON" (encendido). Abra de inmediato la perilla de liberación de vapor.
5. Sumerja la boquilla espumadora hasta la mitad del jarro lleno con leche. Tras encender la máquina, el vapor tardará entre 30 y 60 segundos en salir de la boquilla vaporizadora. Mantenga el jarro ligeramente inclinado de modo que siempre pueda ver la posición de la boquilla al espumar la leche. La punta de la boquilla espumadora debe estar debajo de la superficie de la leche, pero no demasiado introducida en la misma. La leche comenzará a espumar. A medida que la espuma suba, continúe bajando el jarro de modo que la punta de la boquilla espumadora siempre esté ligeramente debajo de la superficie de la espuma ascendente.
6. Una vez que el volumen de la leche haya aumentado al doble, hunda más la varilla espumadora para seguir calentando la leche. **Nota:** Si va a usar un termómetro para líquidos, la temperatura ideal de la leche tras calentarla debe ser de 150-170°F ó 66°-77°C. No hierva la leche. Notará que la leche ha hervido si ésta aumenta repentinamente y comienzan a formarse burbujas grandes en la superficie de la misma.
7. Cuando termine, cierre la perilla de liberación de vapor girándola en sentido horario mientras la boquilla aún esté sumergida en la leche. De esta manera evitará que salpique la leche caliente. Si prefiere que la leche quede con espuma "espesa", deje que la leche repose durante un minuto.
8. Coloque el interruptor para café expreso en la posición "OFF" (apagado).

Notas: Haga lo siguiente si no usó toda el agua para vaporizar:

1. Con la máquina apagada, libere el resto de la presión de vapor en otro recipiente.
2. No cierre la perilla de liberación de vapor sino hasta haber liberado todo el vapor; consulte la sección "**Precauciones sobre presión**" en este manual.

PRESIÓN - INSPECCIÓN Y LIBERACIÓN

Inspección de la presión

1. Coloque los interruptores Espresso y Caffè en la posición "OFF" (apagado) y desenchufe el aparato del tomacorriente eléctrico.
2. Abra cuidadosamente la válvula de liberación de vapor girando lentamente la perilla en sentido antihorario. Si sale vapor de la boquilla, significa que el hervidor aún está bajo presión.
3. De ser así, cierre la válvula y proceda de la siguiente manera para liberar la presión.

Liberación de la presión

1. Sostenga un jarro con agua debajo de la varilla de vapor y sumerja la boquilla espumadora en el agua.
2. Abra lentamente la válvula de liberación de vapor y deje que el vapor ingrese al agua.
3. Una vez que la varilla deje de liberar el vapor, abra lentamente la tapa del hervidor.

LIMPIEZA DE LA CAFETERA 3 EN 1 - GENERAL

1. Coloque todos los interruptores en la posición "OFF" (apagado), desenchufe la unidad del tomacorriente y deje que se enfríe totalmente antes de limpiarla.
2. Retire y elimine los posos de café expreso y el filtro desechable. Limpie el cabezal de preparación con un paño húmedo.
3. Retire y limpie el portafiltro de café expreso, la copa filtrante, la cesta, la rejilla de derrame, la base de la rejilla, las jarras y las tapas, en una solución de agua tibia y detergente líquido suave. Enjuáguelos completamente y séquelos.
4. Si todavía queda agua en la cámara del hervidor o en el depósito de agua, vacíelos por la abertura superior de la unidad volteando esta última. **Nota:** No limpie el interior del depósito de agua ni la cámara del hervidor con un paño o toalla de papel, ya que pueden dejar partículas en el interior y obstruir las aberturas pequeñas en la cafetera. Sólo enjuáguelos periódicamente en agua fría.
5. Retire de la varilla de vapor la boquilla espumadora de caucho. Limpie totalmente la boquilla espumadora y la varilla de vapor en una solución de agua tibia y detergente líquido suave. Enjuáguelas totalmente y vuelva a colocar la boquilla espumadora en la varilla de vapor.
6. La parte exterior de l el aparato puede limpiarse pasándole un paño húmedo.
7. Descalcifique periódicamente el aparato. Consulte la sección "Descalcificación de la cafetera 3 en 1".

LIMPIEZA DE LA CAFETERA 3 EN 1 - LIMPIEZA DE LA BOQUILLA VAPORIZADORA

- Tras espumar la leche se acumularán residuos de leche en la punta de la boquilla vaporizadora. Es muy importante que tras retirar la boquilla espumadora, limpie con un paño la boquilla vaporizadora después de cada uso. Ello evitará que la boquilla vaporizadora se obstruya y le permitirá obtener resultados satisfactorios. Haga lo siguiente si la boquilla se obstruye:
1. Cerciórese de que los interruptores estén en la posición "OFF" (apagado), que la unidad esté desenchufada del tomacorriente, que se haya liberado toda la presión y que la máquina se haya enfriado totalmente.
 2. Retire la boquilla espumadora de caucho y la boquilla vaporizadora usando la herramienta en el extremo de la cuchara dosificadora que viene incluida con la máquina.
 3. Limpie la boquilla con agua tibia y cerciórese de que el orificio pequeño del extremo esté despejado.
 4. Vuelva a conectar la boquilla vaporizadora, apriétela firmemente y deslice la boquilla espumadora de caucho sobre la varilla de vapor.

DESCALCIFICACIÓN DE LA CAFETERA 3 EN 1 - GENERAL

- Con el tiempo, se acumulan depósitos minerales en las piezas internas de la cafetera, los cuales afectan el funcionamiento del aparato; ello hace que sea necesario descalcificar la unidad. La frecuencia de la descalcificación depende de la dureza del agua y de la frecuencia de uso de la unidad. Indicios de que es necesario realizar la descalcificación:
 - Aumento del ruido durante la producción.
 - Vapor excesivo.
 - Tiempos de preparación más prolongados.
 - La acción de bombeo se detiene antes de que haya salido toda el agua del depósito.
- Si se usa la cafetera en forma regular, la descalcificación debe llevarse a cabo de la siguiente manera:
 - En condiciones de agua blanda, descalcifique una vez al año.
 - En condiciones de agua de dureza mediana, descalcifique cada tres (3) meses.
 - En condiciones de agua dura, descalcifique mensualmente.
- Se recomienda usar vinagre para descalcificar.

DESCALCIFICACIÓN DE LA CAFETERA 3 EN 1

Cafetera expreso

- Libere toda la presión y deje que la unidad se enfríe totalmente antes de descalcificarla.
- Vierta en la cámara del hervidor 8 onzas (marca de 4 tazas en la jarra) de vinagre blanco fresco y frío de uso doméstico sin diluir.
- *Siguiendo las instrucciones de la sección "Preparación de café expreso" inicie el ciclo de preparación, pero sin usar café.*
- Coloque una taza de agua fría debajo de la varilla de vapor. Una vez que la solución haya sido bombeada por la unidad y esté en la marca para 2 tazas en la jarra para café expreso, introduzca la varilla de vapor en el agua y abra la válvula del hervidor durante 10 a 15 segundos. Cierre la válvula y deje que el resto del vinagre se vierta en la jarra.
- Repita los pasos antedichos, pero esta vez use agua fría para enjuagar todos los restos de vinagre del sistema.

Cafetera

- Libere toda la presión y deje que la unidad se enfríe totalmente antes de descalcificarla.
- Vierta en la jarra 20 onzas (marca de 4 tazas en la jarra) de vinagre blanco fresco y frío de uso doméstico sin diluir.
- *Siguiendo las instrucciones de la sección "Preparación de café" inicie el ciclo de preparación, pero sin usar café.*
- Repita los pasos antedichos, pero esta vez use agua fría para enjuagar todos los restos de vinagre del sistema.

PROBLEMAS Y CAUSAS

- Hay fugas de café o agua en la cesta filtrante:
 - El filtro no está correctamente colocado o está doblado.
 - La cesta no está correctamente cerrada.
 - La jarra o la tapa de ésta no están en su lugar.
 - Demasiado café en el filtro.
 - La válvula de la cesta está sucia, rota o no está instalada.
- No sale café, o sale demasiado lento:
 - No hay agua en el depósito.
 - No hay café en el portafiltro.
 - La cesta no está correctamente cerrada.
 - La jarra o la tapa de ésta no están en su lugar.
 - El filtro está obstruido porque se usó café demasiado fino o está atestado de café.
 - Descalcifique el aparato
- Hay fuga de café expreso en el portafiltro:
 - El filtro de café expreso no está instalado.
 - El portafiltro no está correctamente instalado.
 - El portafiltro no está trabado en su posición.
 - No se han eliminado los posos de café del filtro y el portafiltro.
 - La empaquetadura interna del cabezal de café expreso está sucia y debe limpiarse.
 - La empaquetadura interna del cabezal de café expreso está dañada y debe reemplazarse.
- No sale café expreso, o éste sale demasiado lento:
 - No hay agua en el depósito del hervidor.
 - No hay café en el portafiltro.
 - El filtro está obstruido porque se usó café demasiado fino o está atestado de café.
 - Descalcifique el aparato.
- No sale vapor por la varilla de vapor:
 - No hay agua o no hay suficiente agua en la cámara del hervidor.
 - No hay café o falta el tapón de vapor en el portafiltro.
 - La boquilla vaporizadora/espumadora está obstruida.
 - Descalcifique el aparato.
- No se produce suficiente espuma en la leche:
 - La boquilla espumadora se ha introducido demasiado en la leche o toca el fondo del jarro.
 - Las aberturas superiores de la boquilla espumadora están sumergidas en la leche.
 - El jarro no está lo suficientemente frío.
 - La leche no está fresca o suficientemente fría.
 - La leche está demasiado espesa.
 - La boquilla vaporizadora/espumadora está obstruida.

GARANTÍA DEL PRODUCTO

Garantía limitada de 1 año del artefacto electrodoméstico

Focus Electrics, LLC ("Focus Electrics") garantiza que este aparato no presentará fallas de material ni fabricación durante un (1) año a partir de la fecha original de compra con prueba de dicha compra, siempre y cuando el aparato sea operado y mantenido tal como se indica en el manual de instrucciones provisto. Toda pieza del aparato que presente fallas será reparada o reemplazada sin costo alguno a criterio de Focus Electrics. Esta garantía rige solamente para el uso domestico dentro de la casa.

Esta garantía no cubre ningún daño, incluyendo la decoloración, de superficie antiadherente alguna del aparato electrodoméstico. Esta garantía es nula y sin valor, según lo determine exclusivamente Focus Electrics si el artefacto electrodoméstico es dañado a causa de accidente, mal uso, abuso, negligencia, rayaduras, o si el artefacto electrodoméstico es cambiado de algún modo.

ESTA GARANTÍA REEMPLAZA A TODAS LAS DEMÁS GARANTÍAS IMPLÍCITAS, INCLUYENDO AQUÉLLAS DE COMERCIABILIDAD, IDONEIDAD PARA UN FIN O USO EN PARTICULAR, DESEMPEÑO, U OTROS TIPOS, LAS CUALES QUEDAN EXCLUIDAS MEDIANTE EL PRESENTE DOCUMENTO. FOCUS ELECTRICS RECHAZA TODA RESPONSABILIDAD POR DAÑOS, YA SEAN DIRECTOS, INDIRECTOS, INCIDENTALES, PREVISIBLES, CONSECUENTES O ESPECIALES QUE SURJAN DE ESTE APARATO ELECTRODOMÉSTICO O GUARDEN RELACIÓN CON EL MISMO.

Si piensa que el artefacto electrodoméstico se ha dañado o requiere de servicio dentro de su período de garantía, por favor póngase en contacto con el Departamento de Atención al Cliente de Focus Electrics por el (866) 290-1851 o contáctenos por correo electrónico a la service@focuselectrics.com. Los gastos de devolución no son reembolsables. Para todas las reclamaciones de garantía, se requerirá un recibo que demuestra la fecha de compra original. Los recibos escritos a mano no son aceptados. Focus Electrics no se hace responsable de las devoluciones perdidas en tránsito.

Válido sólo en EE.UU. y Canadá

REPUESTOS

Las partes de repuestos, si están disponibles, pueden pedirse directamente en línea a Focus Electrics en www.focuselectrics.com, o puede llamar o enviar un correo electrónico al departamento de servicio al número telefónico o dirección de correo electrónico arriba indicados, o escribiéndonos a:

Focus Electrics, LLC
Attn: Customer Service
P. O. Box 2780
West Bend, WI 53095

Cerciórese de incluir el número de catálogo/modelo del aparato electrodoméstico (situado en la parte inferior/posterior de la unidad) así como la descripción y la cantidad de repuestos que necesita. Junto con esta información, incluya su nombre, dirección postal, número de tarjeta de crédito Visa o MasterCard, la fecha de vencimiento y el nombre tal como aparece en la tarjeta. Los cheques pueden ser pagaderos a Focus Electrics, LLC. Llame al Departamento de Atención al Cliente para obtener el monto de la compra. Se sumará al total el impuesto de venta estatal que corresponda, más un cargo por despacho y procesamiento. La entrega tarda dos (2) semanas.

Este manual contiene información importante y útil sobre el uso seguro y el cuidado de su nuevo producto Focus Electrics. Para su propia referencia, archive aquí el recibo fechado que sirve de comprobante de compra para la garantía, y anote la siguiente información:

Fecha en que compró o recibió la unidad como regalo: _____

Dónde se efectuó la compra y el precio, si lo sabe: _____

Número y código de fecha del producto (aparece en la parte inferior/posterior de la unidad): _____

