

WestBend®

HOT AIR POPCORN POPPER

Instruction Manual



Important Safeguards.....	2
Before Using for the First Time	3
Using Your Hot Air Popcorn Popper.....	4
Helpful Hints.....	5
Cleaning Your Hot Air Popcorn Popper.....	5
Popcorn Ideas & Recipes.....	6
Warranty.....	8

SAVE THIS INSTRUCTION MANUAL FOR FUTURE REFERENCE

© 2017 West Bend®

www.westbend.com

IMPORTANT SAFEGUARDS



CAUTION

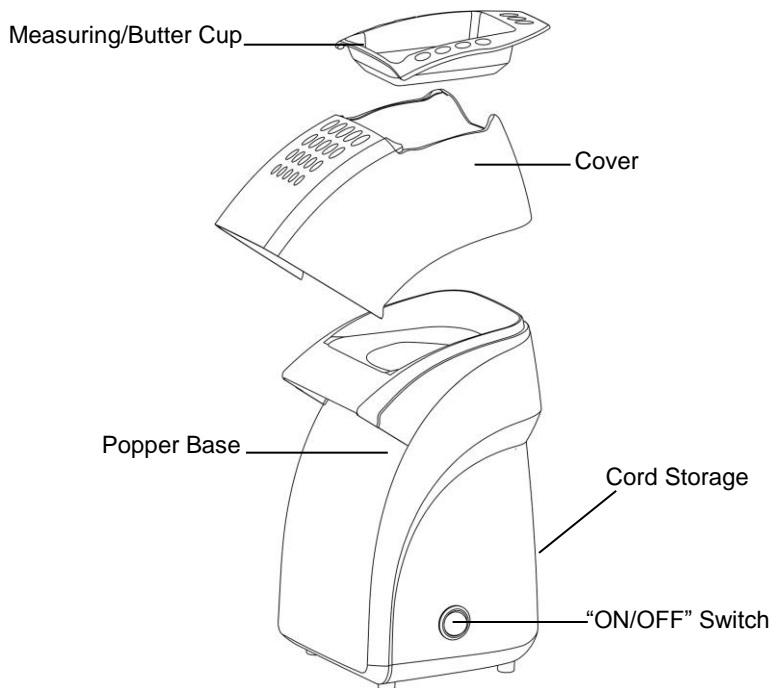
To prevent personal injury or property damage, read and follow all instructions and warnings.

When using electrical appliances, basic safety precautions should always be followed including:

- Read all instructions, including these important safeguards and the care and use instructions in this manual.
- Do not touch hot surfaces. Use hot pads or oven mitts. Cover and measuring/butter cup become hot during operation.
- Always unplug from outlet when not in use and before cleaning. Allow to cool before putting on or taking off parts and before cleaning.
- Close supervision is necessary when this appliance is used by or near children.
- Do not operate any appliance with a damaged cord or plug, after the appliance malfunctions, or has been damaged in any manner. For service information see warranty page.
- The use of accessory attachments not recommended by West Bend may cause injuries.
- Do not use this appliance outdoors.
- Do not let cord hang over the edge of the table or counter, or touch hot surfaces.
- Do not place on or near a hot gas or electric burner, or in a heated oven.
- To disconnect, turn any control to "OFF," then remove plug from wall outlet.
- Do not use appliance for other than intended use.
- To protect against electric shock, do not immerse cord, plugs, or other electric parts in water or other liquids.
- Do not attempt to repair this appliance yourself.
- A popper that is plugged into an outlet should not be left unattended.
- This popper will not shut off automatically. To avoid overheating, add popcorn kernels before operating.
- A short power-supply cord is provided to reduce risks resulting from becoming entangled in or tripping over a longer cord.
- Longer extension cords are available, but care must be exercised in their use. While use of an extension cord is not recommended, if you must use one, ensure that the marked electrical rating of the extension cord is equal to or greater than that of the appliance. If the plug is of the grounded type, the extension cord must be a grounding-type 3-wire cord. To avoid pulling, tripping or entanglement, position the extension cord so that it does not hang over the edge of the counter, table or other area where it can be pulled on by children or tripped over.

- This appliance has a polarized plug (one blade is wider than the other). To reduce the risk of electric shock, this plug is intended to fit into a polarized outlet only one way. If the plug does not fit fully into the outlet, reverse the plug. If it still does not fit, contact a qualified electrician. Do not attempt to modify the plug in any way.
- Do not use an outlet or extension cord if the plug fits loosely or if the outlet or extension cord feels hot.
- During use, do not remove cover. Do not remove cover or measuring/butter cup from the appliance until you have not heard a kernel pop for at least 1 minute.
- **For household use only.**

SAVE THESE INSTRUCTIONS



BEFORE USING FOR THE FIRST TIME

Please check all packaging material carefully before discarding. Accessory parts may be contained within the packaging material.

Wash the popper cover and measuring/butter cup with warm, soapy water. Rinse thoroughly and dry. Wipe the exterior of the popper base and popcorn chute with a soft, damp cloth and dry. It is not necessary to clean inside the popcorn chamber.

Note: DO NOT immerse the popper base in water or any other liquid. Once removed, the measuring/butter cup and cover can be washed in a dishwasher, top rack only. **DO NOT** put the popper base into the dishwasher. This will permanently damage the product and will void the warranty.

USING YOUR HOT AIR POPCORN POPPER

This popper uses hot air to pop the corn. DO NOT place anything other than popcorn kernels into the popping chamber.

1. Remove the cover and measuring/butter cup. Ensure the vents are clear of popcorn pieces before each use. For a single serving, use the measuring/butter cup to measure to the line, or use a standard measuring spoon to measure 2 tbsp. For a family serving, use one full scoop of the measuring/butter cup, or use a standard measuring cup to measure ½ cup of popcorn kernels. **DO NOT** attempt to pop more than ½ cup or less than 2 tbsp. of popcorn kernels at one time.
2. Pour popcorn kernels into the popping chamber. **DO NOT** put oil, butter, shortening, salt, or anything other than popcorn into the chamber. Place the cover in position, then place the measuring/butter cup into the cover.
3. If buttered popcorn is desired, place 1-2 tablespoons of softened butter, cut into 4 equally-sized pats, into the measuring/butter cup. **Note:** Do not use cold butter as it will not melt completely in the short popping cycle. **DO NOT** remove the measuring/butter cup during the popping cycle. If unbuttered popcorn is desired, it is still necessary to place the measuring/butter cup into the cover. **Never run the popcorn popper without popcorn or the cover and measuring/butter cup in place.**
4. Place a 4 quart, or larger, heat-resistant bowl below the popcorn chute to collect popcorn as it pops. ½ cup of popcorn kernels will yield between 3 and 4 quarts of popped popcorn. **Note:** We recommend using a bowl that is at least 5.5" deep when popping corn.
5. Plug the cord into a 120 volt, AC outlet **ONLY**. With the cover and measuring/butter cup in place, press the "ON/OFF" switch to the on position, toward the "I" symbol.
6. Popcorn will begin to pop, and the cycle will be done within 3 minutes. After popcorn has completed popping, turn the "ON/OFF" switch to the off position, the "O" symbol. Popcorn cycle has completed when there is a gap of 3 seconds between kernels popping. Unplug the popper from the outlet. Let the popper sit, with the lid and measuring/butter cup in place, for at least one minute after completion of the popping cycle. Unpopped kernels may still pop unexpectedly. Use caution when handling the Popcorn popper, it **will** be hot after popping cycle. Always use hot pads or oven mitts to handle the hot appliance.
7. If butter was melted in the measuring/butter cup, pour over the top of the popped corn and sprinkle with salt or other popcorn seasonings as desired. **Note:** If butter was not completely melted during the popping cycle, **DO NOT** keep running the popper to melt it. Place the measuring/butter cup in the microwave and microwave for 10 seconds to finish melting the butter.
8. If you wish to pop an additional batch of popcorn, let the popper cool for 5-7 minutes, then remove any unpopped kernels and loose popcorn from the popper by inverting the popper. Use oven mitts or hot pads when handling the hot popper. If butter was melted in the butter cup, clean and dry the measuring/butter cup and replace in the cover. Repeat steps 1-7 above. After 2 batches, let popper cool 15 minutes before additional uses.
 - A small amount of smoke and/or odor may occur upon heating due to the release of manufacturing oils – this is normal.
 - Some minor expansion/contraction sounds may occur during heating and cooling – this is normal.

HELPFUL HINTS

- Always use fresh popcorn. Dried out, stale, or old popcorn pops poorly as it has lost its moisture content and may scorch.
- Store popcorn in airtight containers made of glass or plastic to avoid moisture loss in the kernels. Be sure that the container is stored in a cool place, do not store in the refrigerator. Most refrigerators contain little moisture and can dry out kernels, resulting in poor popping.
- While we recommend using regular white or yellow popcorn, this popcorn popper can also accommodate premium and gourmet popcorns. However, premium and gourmet popcorns may not yield results as good as regular popcorn; you may notice an increase in the number of unpopped kernels.
- If popcorn does not pop, it is usually the result of environmental factors such as the freshness and moisture content of the popcorn, or variances by popcorn type. Unpopped kernels do not necessarily indicate a defect in the appliance.
- This popper is not intended for use with seeds, beans, or anything other than popcorn.
- We recommend using a deep bowl for popping popcorn. Use a bowl that is at least 5.5" deep when popping corn, and be sure that the bowl is flush to the popper to collect popped corn. If too shallow a bowl is used, hot popcorn and kernels can ricochet from the bowl and can pose a burn hazard. Do not stand, or allow children to stand, too close to the popper as it is operating.
- This popper pops using hot air. It does not require any oils or fats to pop the corn, and they should never be used in the popper. **DO NOT** use microwave popcorn.
- Push the cord into the back of the appliance for easy, tangle-free storage.
- When done popping, start layering flavors. We find a light misting of olive oil, (many great infused olive oils are also available) lemon or lime juice, balsamic vinegar, or even water will help any additional seasonings adhere to the corn.
- Melted chocolate or marshmallow is a great way to bind and layer decadent ingredients with popcorn, or to create popcorn balls, bars, or pops. For a more traditional binder, boil 1 cup of sugar with 1 cup of corn syrup, then add your other ingredients toss and form. Or while still warm, roll balls or pops in crushed candies, coconut, chopped nuts, sprinkles.

CLEANING YOUR HOT AIR POPCORN POPPER

Your popcorn popper may be cleaned after every use. **Note:** Do not immerse the popper base in water or any other liquid. Do not use any abrasive cleansers or scrubbers on any part of the popper.

1. Unplug the appliance from the electrical outlet. **Allow the entire appliance to cool, with measuring/butter cup in place, before cleaning.**
2. Remove the cover and measuring/butter cup from the popper base. Separate the cover and measuring/butter cup. Wash in warm, soapy water. Rinse and dry thoroughly. The measuring/butter cup and cover may be washed in a dishwasher, **top rack only.**
3. Use a soft, damp cloth to wipe the exterior of the popper and the popcorn chute. **DO NOT** wipe inside the popping chamber. Check during every cleaning that no pieces of popcorn are lodged into the vents; ensure that the vents are clear before each use.

This appliance has no user serviceable parts.

POPCORN IDEAS & RECIPES

Popcorn is the perfect blank canvas for creating treats. You can create decadent concoctions with chocolate and candies or healthy, guilt-free snacks that everyone can enjoy. Here are some recipes and ideas to get you started, but really, once you start, your imagination can take over.

Try mixing and matching any of these for a healthy snack:

Nutritional Yeast (great nutty flavor)	Paprika	Basil
Sea salt	Thyme	Cinnamon
Garlic powder	Celery flakes	Cloves
Onion powder	Parsley	Chives
Chili powder	Crushed red peppers	Sugar
Cumin	Black pepper	Dill
Oregano	Lemon, orange, or lime zest	Aged and grated Parmesan, Provolone, or Romano cheese
Rosemary	Cocoa powder	

Try mixing and matching any of these for a decadent treat:

Chopped candy bars	Nuts	Dry cheese sauce powder
Chocolate chips	Candy pieces or Bite-sized candies	Peanut butter
Marshmallows	Hot cocoa mix	Cocoa powder
Salted peanuts	Sweetened cereal	Powdered sugar
Bacon	Melted chocolate or Almond bark	Pretzels
Blue cheese crumbles	Toasted or grated coconut	Graham cracker pieces
Reduced balsamic vinegar (fruit infused is delightful)		Crushed cookies
Cake mix		
Cake or brownie crumbles	Powdered drink mixes	

Joel's Blue Cheese Bacon Popcorn

4 slices bacon	fresh ground black pepper
10 cups Popped Popcorn	1 tbsp. reserved bacon grease or 1
½ cup crumbled blue cheese	tbsp. olive oil, optional

Fry bacon until crisp; cool and crumble. Using fresh, warm popcorn, add the crumbled blue cheese, bacon, and generously sprinkle with fresh ground black pepper. If desired, stir in some of the reserved bacon grease or olive oil to enhance flavor and help seasonings to stick/ adhere.

Herb Infusion

8-10 cups popped popcorn	2 tbsp. mixed dried herbs: dill, parsley
4 tbsp. coconut oil, melted	thyme and oregano (add cayenne to the mix if you like spice)
2 tbsp. nutritional yeast	Garlic or sea salt to taste

Set popcorn aside in a large mixing bowl, drizzle melted coconut oil over the corn and toss to distribute. Sprinkle with the herb blend and add garlic or sea salt to taste, toss again

S'mores 'n More

8-10 cups popped popcorn (we liked ours lightly buttered and salted)
16oz. milk or dark chocolate, melted, for drizzling
4 tbsp. butter
2 cups mini marshmallows

24 graham crackers, broken in bite size pieces
OR 2 cups of graham breakfast cereal
2 to 4oz. of milk chocolate, shaved or cut into pieces

In a large mixing bowl, mix the popped popcorn, and half of the all the other ingredients until well mixed, spread out on wax or parchment paper, sprinkle remaining crackers or cereal and marshmallows over the top and drizzle with the remaining melted chocolate. Allow it to cool and set before eating

Confetti Cake Popcorn

8-10 cups popped popcorn (either plain or buttered and salted)
1 to 1½ cups cake mix (white, yellow, or chocolate)

12oz. white, milk or dark chocolate
¼ cups vegetable shortening
¼ cup sprinkles (round, multicolored)

Microwave the chocolate for one minute or until melted. Add the vegetable shortening and stir until melted and well mixed. In a large mixing bowl, combine the popped popcorn with the dry cake mix, drizzle with the melted chocolate and mix well to evenly coat. Add the sprinkles and toss, spread to cool and dry on parchment or wax paper.

Say Cheese Popcorn

8-10 cups popped popcorn, buttered
¼ cup melted butter

1½ oz. (1 envelope) dry cheese sauce mix (from a box of macaroni and cheese)

Mix the popped popcorn and the other ingredients until well mixed.

Lime Fiesta Popcorn

8-10 cups popped popcorn
1 lime, use for zest and juice

1 tsp. chili powder
½ tsp. cumin

Squeeze juice of the lime over warm popcorn then add lime zest, chili powder and cumin, toss to coat.

PRODUCT WARRANTY

Appliance 1 Year Limited Warranty

West Bend® (“the Company”) warrants this appliance from failures in the material and workmanship for one (1) year from the date of original purchase with proof of purchase, provided that the appliance is operated and maintained in conformity with the Instruction Manual. Any failed part of the appliance will be repaired or replaced without charge at the Company’s discretion. This warranty applies to indoor household use only.

This warranty does not cover any damage, including discoloration, to any non-stick surface of the appliance. This warranty is null and void, as determined solely by the Company, if the appliance is damaged through accident, misuse, abuse, negligence, scratching, or if the appliance is altered in any way.

THIS WARRANTY IS IN LIEU OF ALL IMPLIED WARRANTIES, INCLUDING WARRANTIES OF MERCHANTABILITY, FITNESS FOR A PARTICULAR PURPOSE, PERFORMANCE, OR OTHERWISE, WHICH ARE HEREBY EXCLUDED. IN NO EVENT SHALL THE COMPANY BE LIABLE FOR ANY DAMAGES, WHETHER DIRECT, INDIRECT, INCIDENTAL, FORSEEABLE, CONSEQUENTIAL, OR SPECIAL ARISING OUT OF OR IN CONNECTION WITH THIS APPLIANCE.

If you think the appliance has failed or requires service within its warranty period, please contact the Customer Care Department at (866) 290-1851, or e-mail us at customercare@westbend.com. A receipt proving the original purchase date will be required for all warranty claims, **hand written receipts are not accepted**. You may also be required to return the appliance for inspection and evaluation. Return shipping costs are not refundable. The Company is not responsible for returns lost in transit.

Valid only in USA and Canada

REPLACEMENT PARTS

Replacement parts, if available, may be ordered directly from the Company several ways. Order online at www.westbend.com, e-mail customercare@westbend.com, over the phone by calling (866) 290-1851, or by writing to:

West Bend®
Attn: Customer Care Dept.
P. O. Box 53
West Bend, WI 53095

To order with a check or money order, please first contact Customer Care for an order total. Mail your payment along with a letter stating the model or catalog number of your appliance, which can be found on the bottom or back of the appliance, a description of the part or parts you are ordering, and the quantity you would like.

Your state/province’s sales tax and a shipping fee will be added to your total charge. Please allow two weeks for processing and delivery.

This manual contains important and helpful information regarding the safe use and care of your product. For future reference, attach dated sales receipt for warranty proof of purchase and record the following information:

Date purchased or received as gift: _____

Where purchased and price, if known: _____

Item number and Date Code (shown bottom/back of product): _____

NOTES

WestBend®

MACHINE À POPCORN AIR CRAZY™

Mode d'Emploi



Précautions Importantes	2
Avant la Première Utilisation	4
Utilisation de Votre Machine à Popcorn Air Crazy™	4
Astuces	5
Nettoyage de Votre Machine à Popcorn Air Crazy™	6
Recettes et Idées d'Utilisation du Maïs.....	7
Garantie	9

CONSERVEZ CE MANUEL D'INSTRUCTIONS POUR RÉFÉRENCE FUTURE

PRECAUTIONS IMPORTANTES



MISE EN GARDE

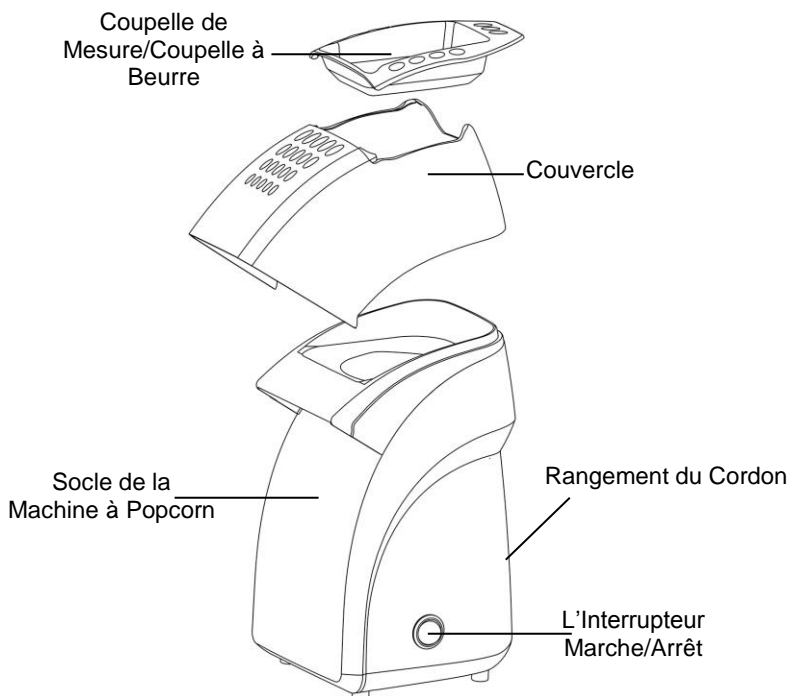
Pour empêcher toute blessure physique ou tout dommage matériel, lisez et suivez toutes les consignes et mises en garde.

Lorsque vous utilisez des appareils électriques, les précautions de sécurité élémentaires devraient toujours être respectées, notamment:

- Lisez toutes les instructions, notamment les présentes précautions importantes, ainsi que les consignes pour l'entretien de ce manuel.
- Ne touchez pas les surfaces à haute température. Utilisez les maniques ou des gants de cuisine. Le couvercle et la coupelle de mesure/coupelle à beurre atteignent une température élevée pendant le fonctionnement.
- Débranchez toujours l'appareil du secteur lorsque vous ne l'utilisez pas et avant de le nettoyer. Laissez refroidir avant de mettre en place ou de retirer des pièces ainsi qu'avant de procéder au nettoyage.
- Une surveillance rapprochée est nécessaire en cas d'utilisation d'un appareil par des enfants ou en présence d'enfants.
- N'utilisez aucun appareil dont le cordon ou la fiche sont endommagés, si l'appareil a dysfonctionné ou s'il a été détérioré de quelque manière que ce soit. Pour des renseignements sur les réparations, voir la page de garantie.
- L'utilisation d'accessoires non recommandés par West Bend risque de provoquer des blessures.
- N'utilisez pas cet appareil à l'extérieur.
- Ne laissez pas le cordon pendre depuis l'extrémité de la table ou du plan de travail, ou ne le laissez pas entrer en contact avec une surface à haute température.
- Ne placez pas l'appareil sur ou à proximité d'une gazinière chaude ou d'un brûleur électrique, ou dans un four chaud.
- Pour débrancher l'appareil, tournez toute commande sur « OFF » (arrêt) puis retirez la fiche de la prise murale.
- N'utilisez pas l'appareil pour un usage autre que celui pour lequel il a été conçu.
- Pour vous protéger contre tout choc électrique, n'immergez pas le cordon, les fiches ni aucune autre pièce électrique dans l'eau ni dans tout autre liquide.
- Ne tentez pas de réparer cet appareil vous-même.
- Une machine à popcorn branchée sur le secteur ne devrait pas être laissée sans surveillance.
- Cette machine à popcorn ne se met pas hors tension automatiquement. Pour éviter toute surchauffe, ajoutez le maïs avant l'utilisation.
- Le cordon d'alimentation fourni est court pour réduire les risques qu'une personne se prenne les pieds ou trébuche sur un cordon plus long.

- Des cordons de rallonge plus longs sont disponibles, mais vous devez faire preuve de prudence lors de leur utilisation. Bien que l'utilisation d'un cordon de rallonge ne soit pas recommandée, si vous devez en utiliser un, assurez-vous que la puissance nominale indiquée pour le cordon de rallonge est égale ou supérieure à celle de l'appareil. Si la fiche est raccordée à la terre, le cordon de rallonge doit lui aussi proposer un raccordement à la terre. Pour éviter de tirer sur le cordon, de trébucher ou de s'em mêler dedans, positionnez le cordon de rallonge de sorte qu'il ne pende pas depuis l'extrémité du plan de travail, de la table ou de toute zone où des enfants pourraient tirer dessus ou trébucher.
- Cet appareil est pourvu d'une fiche polarisée (une lame est plus large que l'autre). Pour réduire le risque d'électrocution, cette fiche est conçue pour s'encaster dans une prise secteur polarisée dans un sens uniquement. Si la fiche ne s'insère pas complètement dans la prise secteur, retournez la fiche. Si elle ne s'encastre toujours pas, contactez un électricien qualifié. Ne tentez pas de modifier la fiche de quelque manière que ce soit.
- N'utilisez pas une prise secteur ou un cordon de rallonge si la fiche s'adapte avec un jeu ou si la prise secteur ou le cordon de rallonge vous semblent chauds.
- Pendant l'utilisation, ne retirez pas le couvercle. Ne retirez pas le couvercle ou la coupelle de mesure/coupelle à beurre de l'appareil avant de n'avoir entendu aucun morceau de maïs éclater pendant au moins 1 minute.
- **Pour une utilisation domestique uniquement.**

CONSERVEZ CES CONSIGNES



AVANT LA PREMIÈRE UTILISATION

Veillez vérifier la totalité de l'emballage avec soin avant de le jeter. Des pièces peuvent se trouver dans l'emballage.

Lavez le couvercle de la machine à popcorn et la coupelle de mesure/coupelle à beurre avec de l'eau chaude savonneuse. Rincez bien et séchez. Essuyez l'extérieur du socle de la machine à popcorn et la chute à l'aide d'un chiffon doux et humide puis séchez. Il n'est pas nécessaire de nettoyer l'intérieur du compartiment à popcorn.

Remarque: Veuillez **NE PAS** plonger le socle de la machine à popcorn dans de l'eau ou dans tout autre liquide. Une fois retirés, la coupelle de mesure/coupelle à beurre et le couvercle sont lavables au lave-vaisselle, sur la grille du haut uniquement. Veuillez **NE PAS** placer le socle de la machine à popcorn dans le lave-vaisselle. Ceci détériorerait de manière permanente le produit et annulerait la garantie.

UTILISATION DE VOTRE MACHINE À POPCORN AIR CRAZY™

Cette machine à popcorn utilise de l'air chaud pour faire éclater le maïs. Veuillez NE PAS placer autre chose que du maïs à popcorn dans le compartiment d'éclatement.

1. Retirez le couvercle et la coupelle de mesure/coupelle à beurre. Assurez-vous que les aérations sont dégagées de tout morceau de popcorn avant chaque utilisation. Pour une portion individuelle, utilisez la coupelle de mesure/coupelle à beurre, ou un cuillère de mesure standard, pour mesurer à la ligne un niveau ou de 2 c. à soupe de maïs à popcorn. Pour une portion de taille familiale, utilisez la coupelle de mesure/coupelle à beurre, ou un coupelle de mesure standard, pour mesurer un niveau de ½ tasse de maïs à popcorn. Veuillez **NE PAS** tenter de préparer plus de ½ tasse ou moins de 2 c. à soupe de maïs à popcorn à la fois.
2. Versez le maïs à popcorn dans le compartiment d'éclatement. Veuillez **NE PAS** mettre d'huile, de beurre, de matière grasse, de sel, ou toute autre chose que du popcorn dans le compartiment. Placez le couvercle en position, puis placez la coupelle de mesure/coupelle à beurre à l'intérieur du couvercle.
3. Si vous souhaitez du popcorn au beurre, placez 1-2 cuillères à soupe de beurre à ramolli, découpé en 4 parts égales, à l'intérieur de la coupelle de mesure/coupelle à beurre. **Remarque:** N'utilisez pas de beurre réfrigéré car celui-ci ne fond pas complètement pendant le cycle de préparation courte. Veuillez **NE PAS** retirer la coupelle de mesure/coupelle à beurre pendant le cycle de préparation du popcorn. Si vous souhaitez du popcorn sans beurre, il est tout de même nécessaire de placer la coupelle de mesure/coupelle à beurre à l'intérieur du **couvercle. Ne mettez jamais la machine à popcorn Air Crazy™ en marche sans maïs à popcorn ou le couvercle et la coupelle de mesure/coupelle à beurre en place.**
4. Mettre un bol d'environ 4qt. (3.8L) l ou plus grand, résistant à la chaleur, sous la sortie du popcorn pour le recueillir lorsqu'il est soufflé. ½ de tasse de grains de maïs donnera entre environ 3 et 4qt. (2.8-3.8L) de maïs soufflé. **Remarque:** Nous conseillons d'utiliser un bol d'au moins 5.5 pouces (14 cm) de profondeur pour souffler le maïs.
5. Branchez le cordon sur une prise secteur AC de 120 volts **UNIQUEMENT**. Une fois le couvercle et la coupelle de mesure/coupelle à beurre en place, appuyez sur l'interrupteur marche/arrêt pour le positionner vers le symbole « I ».
6. Le popcorn va commencer à éclater, et le cycle sera terminé en 3 minutes. Une fois que le popcorn a fini d'éclater, tournez l'interrupteur marche/arrêt vers la position d'arrêt, le symbole « O ». Le cycle de préparation du popcorn est terminé lorsqu'il existe un écart de 3 secondes entre deux éclatements de maïs. Débranchez la machine à popcorn du secteur. Laissez la machine reposer, avec

le couvercle et la coupelle de mesure/coupelle à beurre en place, pendant au moins une minute après la fin du cycle de préparation du popcorn. Les grains de maïs non éclatés peuvent toujours éclater de manière inattendue. Faites preuve de prudence lorsque vous manipulez la machine à popcorn Air Crazy™, elle sera encore chaude après le cycle de préparation du popcorn. Utilisez toujours des maniques ou des gants de cuisine pour manipuler l'appareil à haute température.

7. Si le beurre a fondu dans la coupelle de mesure/coupelle à beurre, versez-le au-dessus du popcorn et saupoudrez de sel ou d'autres assaisonnements pour popcorn selon vos désirs. **Remarque:** Si le beurre n'a pas entièrement fondu lorsque les popcorns ont été confectionnés, NE PAS laisser l'appareil fonctionner pour le faire fondre. Placer le récipient de mesure/tasse de beurre dans le micro-ondes pendant 10 secondes pour faire fondre le beurre complètement.
8. Si vous souhaitez préparer d'autre tournée de popcorn, laissez la machine à popcorn refroidir pendant 5-7 minutes, puis retirez tout grain de maïs non éclaté et le popcorn restant dans l'appareil en le retournant. Utilisez des gants de cuisine ou des maniques lorsque vous manipulez la machine à popcorn à haute température. Si le beurre a fondu dans la coupelle à beurre, nettoyez et séchez la coupelle de mesure/coupelle à beurre et remettez-la en place à l'intérieur du couvercle. Répétez les étapes 1-7 ci-dessus. Après 2 tournées de popcorn, laissez la machine à popcorn refroidir 15 minutes avant d'autres utilisations.
 - Une petite quantité de fumée et/ou une odeur est susceptible d'être produite au moment de la chauffe en raison de la diffusion des huiles de fabrication: c'est tout à fait normal.
 - De petits bruits d'expansion/contraction peuvent se produire au moment de la chauffe et du refroidissement: c'est tout à fait normal.

ASTUCES

- Utilisez toujours du popcorn frais. Le popcorn séché, éventé ou vieux éclate mal car il a perdu sa teneur en humidité et il risque de roussir.
- Conservez le popcorn dans des récipients hermétiques en verre ou en en plastique pour éviter les pertes d'humidité dans le maïs. Assurez-vous que le récipient est conservé dans un lieu frais, ne le conservez pas au réfrigérateur. La plupart des réfrigérateurs contiennent peut d'humidité et ils peuvent dessécher le maïs, ce qui a pour résultat un mauvais éclatement.
- Bien que nous recommandions d'utiliser des grains de maïs ordinaires blancs ou jaunes, cet machine à popcorn peut également confectionner des popcorn avec des grains de maïs premium et gourmet. Toutefois, il se peut que vous n'obteniez pas d'aussi bons résultats avec les grains de maïs premium et gourmet qu'avec les grains de maïs ordinaires; vous remarquerez peut-être une augmentation du nombre de grains de maïs qui n'éclatent pas.
- Si le popcorn n'éclate pas, c'est habituellement en raison de facteurs environnementaux comme la fraîcheur et la teneur en humidité du popcorn, ou de différences en fonction du type de popcorn. La présence de grains de maïs non éclatés n'indique pas nécessairement un défaut de l'appareil.
- N'utilisez cette machine à popcorn pour haricots, graines, ou autre chose que maïs à popcorn.
- Nous conseillons d'utiliser un bol profond pour souffler le maïs. Utiliser un bol d'au moins 5.5 pouces (14 cm) de profondeur pour souffler le maïs, et s'assurer que le bol arrive au ras du bol à popcorn pour recueillir le maïs soufflé. Si un bol trop peu profond est utilisé, le popcorn chaud et les grains peuvent ricocher du bol et poser

un risque de brûlure. Ne pas rester ou permettre aux enfants de rester près du bol à popcorn lorsqu'il est utilisé.

- Cette machine fait éclater le maïs en utilisant de l'air très chaud. Elle ne nécessite d'utiliser aucune huile ou matière grasse pour faire éclater le maïs, et ces substances ne devraient jamais être utilisées dans la machine à popcorn. Veuillez **NE PAS** utiliser de popcorn pour micro-ondes.
- Pousser le cordon d'alimentation en l'arrière de l'appareil pour ranger le cordon facilement sans l'emmêler.
- Lorsque le maïs a éclaté, commencez à aromatiser par couches. Nous avons trouvé qu'un léger brouillard d'huile d'olive (vous pouvez trouver de très bonnes huiles infusées), du jus de citron ou de citron vert, du vinaigre balsamique ou même de l'eau, permettront de faire adhérer les assaisonnements aux maïs.
- Du chocolat fondu ou des marshmallow permettant de bien mélanger et d'étaler les ingrédients agréables, au maïs ou de faire des balles de maïs, des barres ou des pops. Si vous préférez un liant plus traditionnel, portez à ébullition 1 tasse de sucre et une tasse de sirop de maïs, ajoutez ensuite les autres ingrédients, mélangez et mettez en forme. Ou, alors qu'ils sont encore chauds, roulez des balles ou des pops, dans des bonbons écrasés, de la noix de coco, des noix hachées, des confiseries de décoration.

NETTOYAGE DE VOTRE MACHINE À POPCORN AIR CRAZY™

Votre machine à popcorn Air Crazy™ devrait être nettoyée après chaque utilisation.

Remarque: Ne plongez pas le socle de la machine à popcorn dans de l'eau ni dans tout autre liquide. N'utilisez pas de détergent abrasif ni de tampon à récurer sur aucune partie de la machine à popcorn.

1. Débranchez l'appareil de la prise secteur. **Laissez la totalité de l'appareil refroidir, avec la coupelle de mesure/coupelle à beurre en place, avant de procéder au nettoyage.**
2. Retirez le couvercle et la coupelle de mesure/coupelle à beurre du socle de la machine à popcorn. Séparez le couvercle et la coupelle de mesure/coupelle à beurre. Lavez à l'eau chaude savonneuse. Rincez et séchez bien. La coupelle de mesure/coupelle à beurre et le couvercle peuvent être lavés au lave-vaisselle, sur la grille du haut uniquement.
3. Utilisez un chiffon doux humide pour essuyer l'extérieur de la machine à popcorn et la chute. Veuillez **NE PAS** essuyer l'intérieur du compartiment d'éclatement. Vérifiez au cours de chaque nettoyage qu'aucun morceau de popcorn ne se trouve dans les aérations; assurez-vous que toutes les aérations sont dégagées avant chaque utilisation.

Cet appareil ne contient aucune pièce réparable par l'utilisateur.

RECETTES ET IDÉES D'UTILISATION DU MAÏS

Le maïs est le produit de base idéal pour les petits plaisirs créatifs. Vous pouvez créer des mélanges agréables avec du chocolat et des bonbons, ou des encas sains, sans avoir rien à vous reprocher, que tout le monde appréciera. Voici quelques idées et recettes pour commencer, mais en fait, lorsque vous aurez commencé, laissez votre imagination prendre le dessus.

Essayez de mélanger et de combiner n'importe lequel des éléments suivants pour vous faire un encas sain:

Levure nutritionnelle	Paprika	Poudre de cacao
(bon arôme de noix)	Thym	Basilic
Sel de mer	Flocons de céleri	Cannelle
Poudre d'ail	Persil	Clous de girofle
Poudre d'oignon	Piments rouges écrasés	Ciboulette
Poudre de chili	Piment noir	Sucre
Cumin	Zeste de citron vert,	Aneth
Origan	d'orange ou de citron	Vieux Parmesan, fromage
Romarin	normal	Romano ou Provolone râpé

Essayez de mélanger et de combiner n'importe lequel de ces éléments pour vous faire un petit plaisir bien agréable:

Barres de bonbons découpées	Miettes de brownie ou de gâteau	Mélanges de boisson en poudre
Pépites de chocolat	Noix	Poudre de sauce de fromage sec
Marshmallows	Morceaux de bonbons	Beurre de cacahouète
Cacahouètes salées	ou petits bonbons	Poudre de cacao
Bacon	Mélange de cacao chaud	Sucre en poudre
Miettes de fromage bleu	Céréale édulcorée	Bretzels
Vinaigre balsamique affiné (infusé aux fruits est délicieux)	Chocolat fondu ou écorce d'amande	Morceaux de biscuits de farine complète
Préparation pour gâteau	Noix de coco râpée ou toastée	Cookies écrasés

Popcorn au Fromage à Pâte Persillée et au Bacon de Joel

4 tranches de bacon	Du poivre noir fraîchement moulu
10 tasses de maïs soufflé	1 c. à soupe de graisse de bacon mise de côté ou une c. à soupe d'huile d'olive, optionnel
1/3 de tasse de fromage à pâte persillée coupé en morceaux	

Faire frire le bacon jusqu'à ce qu'il soit croustillant ; laisser refroidir et couper en morceaux. Ajouter aux popcorns frais et chauds, le fromage à pâte persillée coupé en morceaux, le bacon et poivrer généreusement. Si vous le souhaitez, remuez le tout dans la graisse de bacon ou dans de l'huile d'olive pour mieux aromatiser et aider l'assaisonnement à adhérer.

Infusion à Base d'Herbes

8 à 10 tasses de maïs soufflé	2 c. à soupe d'herbes sèches mélangées: aneth, persil, thym et origan (ajoutez Cayenne au mélange si vous aimez les épices)
4 c. à soupe d'huile de noix de coco, fondue	Ail ou sel de mer pour le goût
2 c. à soupe de levure nutritionnelle	

Suivre les indications élémentaires pour souffler le maïs. Mettez le maïs de côté dans un grand bol, faites tomber quelques gouttes d'huile de noix de coco fondue

sur le maïs et remuez pour mélanger. Saupoudrez le mélange d'herbes et ajouter l'ail ou le sel de mer pour le goût; mélangez une fois de plus

De Plus en Plus

8 à 10 tasses de maïs soufflé (nous l'aimons légèrement beurré et salé)
16 oz. de chocolat noir ou au lait, fondu, à répandre
4 c. à soupe de beurre
2 tasses de mini marshmallows

24 biscuits de farine complète, cassés en petits morceaux
OU 2 tasses de céréales Graham pour le petit-déjeuner
2 à 4 oz. de chocolat au lait, râpé ou coupé en morceaux

Dans un grand bol, mélangez le maïs soufflé et la moitié des autres ingrédients jusqu'à ce que le tout soit bien mélangé, répandez sur du papier sulfurisé ou paraffiné, saupoudrez les biscuits ou les céréales et les marshmallows par-dessus, et faites couler délicatement le chocolat fondu. Laissez refroidir et reposer avant de manger

Gâteau Confetti et Popcorn

8 à 10 tasses de maïs soufflé (soit tel quel, soit beurré et salé)
1 à 1½ tasse de préparation pour gâteau (blanche, jaune, ou chocolat)
12 oz de chocolat noir, au lait, ou blanc

¼ de tasse de graisse alimentaire végétale
¼ tasse de confiseries de décoration (rondes, de toutes les couleurs)

Faites chauffer le chocolat au microonde pendant une minute, jusqu'à ce qu'il soit fondu. Ajoutez la graisse alimentaire et remuez jusqu'à ce que le tout soit bien mélangé et fondu. Mettez le maïs soufflé et la préparation pour gâteau dans un grand bol, répandez le chocolat fondu, et mélangez pour répandre uniformément. Ajoutez les confiseries de décorations, mélangez, répandez pour refroidir et faire sécher sur du papier sulfurisé ou paraffiné.

Popcorn au Fromage

8 à 10 tasses de maïs soufflé, au beurre
¼ de tasse de beurre fondu

1½ oz. (43g) (1 enveloppe) de préparation de sauce de fromage sec (d'une boîte de macaroni et de fromage)

Mélangez le maïs soufflé et les autres ingrédients jusqu'à ce qu'ils soient bien mélangés, dans un grand bol.

La Fête du Popcorn au Citron

8 à 10 tasses de maïs soufflé
1 citron vert, pour le zeste et le jus

1 c. à café de poudre de chili
½ c. à café de cumin

Pressez le jus du citron vert par-dessus le maïs chaud, et ajoutez un zeste de citron vert, la poudre de chili et le cumin, remuez pour recouvrir.

GARANTIE DU PRODUIT

Garantie Limitée de 1 An de l'Appareil

West Bend® ("la société") garantit "pièces et main d'œuvre" que cet appareil est, et demeurera, exempt de défauts, pendant une durée d'un (1) an, à compter de la date originelle d'achat, en fonction d'une preuve d'achat, si ce dernier est utilisé et entretenu conformément au mode d'emploi. Toute pièce défectueuse de l'appareil sera réparée ou remplacée sans frais, et à la discrétion de la société. Cette garantie ne s'applique qu'à une utilisation domestique en intérieur.

Cette garantie ne couvre pas les dégâts, notamment toute décoloration, causés à toute surface non collante de l'appareil. Cette garantie sera annulée, à la seule discrétion de la société, si l'appareil est endommagé suite à un accident, à une mauvaise utilisation, à un abus, à une négligence, par des rayures, ou si l'appareil est modifié de quelque façon que ce soit.

CETTE GARANTIE SUPPLANTE TOUTES GARANTIES SOUS-ENTENDUES, NOTAMMENT TOUTES GARANTIES DE VALEUR MARCHANGE, D'ADEQUATION A UN OBJET PARTICULIER, DE PERFORMANCES OU AUTRES, QUI SONT ICI EXCLUES. EN AUCUN CAS, LA SOCIETE NE POURRA ETRE TENUE RESPONSABLE DE TOUS DEGATS, DIRECTS OU INDIRECTS, FORTUITS, PREVISIBLES, CONSECUTIFS OU SPECIAUX, SURVENANT DE L'UTILISATION DE CE PRODUIT

Si vous pensez que l'appareil est tombé en panne ou devrait être réparé en étant couvert par sa garantie, veuillez contacter le service d'assistance à la clientèle au (866) 290-1851, ou envoyer un e-mail à l'adresse customercare@westbend.com. Un reçu, prouvant la date originelle de l'achat, sera demandé pour toutes les demandes faites sous garantie; **les reçus rédigés à la main ne seront pas acceptés**. Il se peut également que l'on vous demande de renvoyer l'appareil pour qu'il soit vérifié et évalué. Les frais de renvoi ne sont pas remboursables. La société n'est pas responsable de la perte en transit de tout appareil renvoyé.

Valable uniquement aux USA et au Canada

PIÈCES DE RECHANGE

Les pièces détachées / de rechange, si disponibles, peuvent être commandées directement à la société de plusieurs façons. En les commandant en ligne sur le lien www.westbend.com, par e-mail au customercare@westbend.com, par téléphone en appelant au (866) 290-1851, ou en écrivant à :

West Bend
Attn: Customer Care Dept.
P. O. Box 53
West Bend, WI 53095

Pour commander à l'aide d'un chèque ou d'un mandat, veuillez commencer par contacter le service d'assistance à la clientèle pour obtenir un total de commande. Envoyez par courrier votre commande, accompagnée d'une lettre mentionnant le modèle et le numéro de catalogue de votre appareil, que vous pourrez trouver en bas ou à l'arrière de l'appareil, une description de la pièce ou des pièces que vous voulez commander, ainsi que la quantité désirée.

La TVA de votre province et les frais d'envoi, seront ajoutés au montant total. Veuillez patienter deux semaines pour que la livraison et le traitement puissent avoir lieu.

Ce manuel contient des informations utiles et importantes, sur l'utilisation et l'entretien sécurisés de votre appareil. A titre de référence future, attachez le reçu daté qui vous tiendra lieu de preuve d'achat pour la garantie, et consignez les informations suivantes:

Date d'achat ou de réception en cadeau: _____

Lieu d'achat et prix, si connus: _____

Numéro de l'article et Code de date (dessous/arrière de l'appareil): _____

WestBend®

MÁQUINA DE HACER PALOMITAS DE MAÍZ AIR CRAZY™ Manual de Instrucciones



Precauciones Importantes.....	2
Antes de Usar por Primera Vez.....	3
Cómo Utilizar la Máquina de Hacer Palomitas de Maíz Air Crazy™	4
Consejos Prácticos.....	5
Limpieza de la Máquina de Hacer Palomitas de Maíz Air Crazy™	6
Ideas y Recetas para Palomitas de Maíz	7
Garantía	9

CONSERVE ESTAS INSTRUCCIONES COMO REFERENCIA PARA EL FUTURO

PRECAUCIONES IMPORTANTES



PRECAUCIÓN

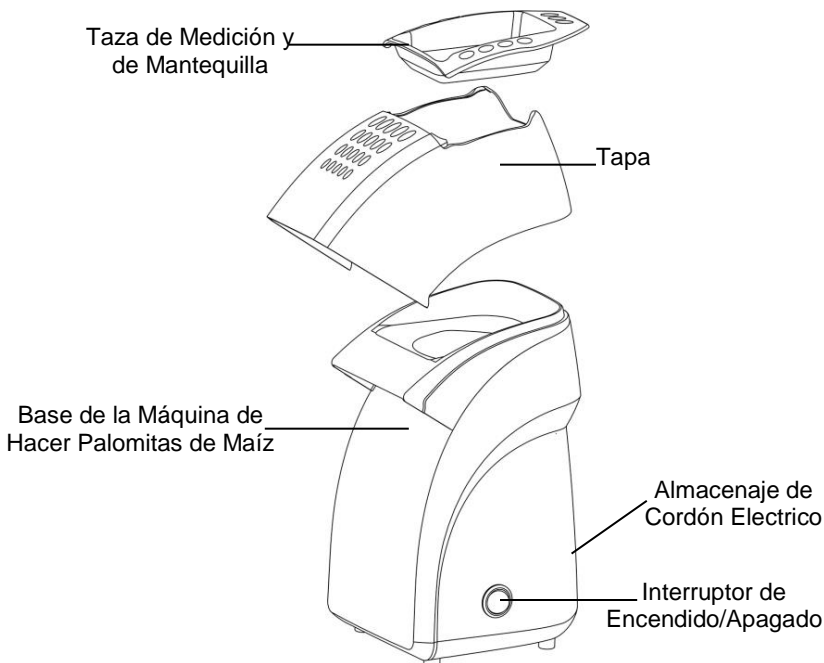
Para evitar lesiones personales o daños materiales, lea y acate todas las instrucciones y advertencias.

Al utilizar artefactos electrodomésticos, siempre deben acatarse las precauciones básicas de seguridad incluyendo las siguientes:

- Lea todas las instrucciones en este manual, incluso estas importantes precauciones, así como las instrucciones de uso y cuidado.
- No toque las superficies calientes. Use las almohadillas aislantes o guantes térmicos. La tapa y la taza de medición y de mantequilla se calientan durante el funcionamiento de la máquina.
- Desenchúfelo siempre del tomacorriente cuando no esté en uso y antes de limpiarlo. Permita que se enfríe antes de colocarle o quitarle piezas o antes de limpiarlo.
- Debe estar muy pendiente de los niños cuando se use un artefacto electrodoméstico sea usado por ellos o cerca de ellos.
- No opere ningún artefacto electrodoméstico con un cordón eléctrico o enchufe dañado o si el artefacto electrodoméstico funciona mal o ha sido dañado de cualquier manera. Para información relativa al servicio de reparaciones vea la página de garantías.
- El uso de accesorios no recomendados por West Bend puede ser causa de lesiones.
- No use este artefacto electrodoméstico al aire libre.
- No deje que el cordón eléctrico cuelgue sobre el borde de la mesa o encimera, ni que toque superficies calientes.
- No lo coloque sobre o cerca de un calentador eléctrico o a gas, o en un horno caliente.
- Para desconectar, coloque cualquier control en la posición "OFF" (apagado), y luego desenchufe del tomacorriente.
- No utilice el artefacto electrodoméstico para usos distintos del indicado.
- Para protegerse contra descargas eléctricas no sumerja el cable, enchufes, u otras partes eléctricas en agua u otros líquidos.
- No trate de reparar este artefacto electrodoméstico usted mismo.
- Una máquina de hacer palomitas de maíz que esté enchufada a un tomacorriente no deberá dejarse sola.
- Esta máquina de hacer palomitas de maíz no se apagará automáticamente. Para evitar el sobrecalentamiento, agregue los granos de maíz para palomitas de maíz antes de ponerla a funcionar.
- Se suministra un cordón eléctrico corto para reducir los riesgos que resultan de enredarse o tropezarse con un cordón eléctrico más largo.
- Hay disponibles cables de extensión más largos, pero debe tenerse cuidado al usarlos. Aunque no se recomienda utilizar cables de extensión, si debe utilizar uno, asegúrese de que la capacidad eléctrica indicada del cable de extensión sea igual o mayor a la del artefacto. Si el enchufe es del tipo conectado a tierra, el cable de extensión deberá ser un cordón eléctrico de 3 hilos con conexión a tierra. A fin de impedir lesiones que resulten del halar, tropezarse o enredarse en el mismo, coloque el cable de extensión de tal modo que no cuelgue del borde de un mostrador, mesa u otra superficie donde pueda ser halado por niños o se pueda tropezar con él.

- Este artefacto tiene un enchufe polarizado (una clavija es más ancha que la otra). Para reducir el riesgo de descarga eléctrica, este enchufe está diseñado para encajar de una sola manera en un tomacorriente polarizado. Invierta el enchufe si éste no encaja completamente en el tomacorriente o en el cable de extensión. Si todavía no encaja, póngase en contacto con un electricista calificado. No trate de modificar el enchufe de manera alguna.
- No use un tomacorriente o cable de extensión en el cual el enchufe calza flojamente, o si el tomacorriente o el cable de extensión se calientan.
- Durante su uso, no retire la tapa. No retire la tapa o la taza de medición y mantequilla de artefacto sino hasta que haya pasado por lo menos 1 minuto tras cesar el ruido de los granos reventando.
- **Sólo para uso doméstico.**

CONSERVE ESTAS INSTRUCCIONES



ANTES DE USAR POR PRIMERA VEZ

Revise con cuidado todo el material de empaque antes de desecharlo. El material de empaque puede contener partes accesorias.

Lave la tapa y la taza de medición y de mantequilla de la máquina con agua tibia jabonosa. Enjuague y seque a fondo. Pásele a la parte exterior de la base y al vertedor de la máquina un trapo suave y húmedo y luego séquelos. No es necesario limpiar la parte interna de la cámara de la máquina de hacer palomitas de maíz.

Nota: No sumerja la base de la máquina en agua o ningún otro líquido. Una vez las haya retirado, la tapa y la taza de medición y de mantequilla pueden lavarse en un lavavajillas, pero solamente en la rejilla superior. **NO** coloque la base de la máquina de hacer palomillas en el lavavajillas. Esto dañará permanentemente el producto y anulará la garantía.

CÓMO UTILIZAR LA MÁQUINA DE HACER PALOMITAS DE MAÍZ AIR CRAZY™

Esta máquina de hacer palomitas de maíz utiliza aire caliente para reventar el maíz. NO coloque en la cámara de preparación de las palomitas de maíz nada que no sean los granos de maíz para palomitas de maíz.

1. Retire la tapa y la taza de medición y de mantequilla. Previo a cada uso, asegúrese de que los orificios de ventilación no contengan pedazos de palomitas de maíz. Para una porción individual, utilice la taza de medición y de mantequilla, o una cucharada estándar de medición, medir a la línea de la medición o de 2 cucharadas de granos de maíz para palomitas de maíz. Para una porción de tamaño de familia, utilice la taza de medición y de mantequilla, o una taza estándar de medición, para medir un nivel de ½ taza de granos de maíz para palomitas de maíz. **NO** trate de preparar más de ½ taza o menos de 2 cdtas. de palomitas de maíz a la vez.
2. Vierta los granos de maíz para palomitas de maíz en la cámara de preparación de palomitas de maíz. **NO** coloque en la cámara aceite, mantequilla, manteca, sal ni nada que no sea el maíz para palomitas de maíz. Coloque la tapa en su sitio, luego coloque la taza de medición y de mantequilla en la tapa.
3. Si desea las palomitas de maíz con mantequilla, coloque 1-2 cucharadas de mantequilla a blandada, cortadas en 4 porciones iguales, en la taza de medición y de mantequilla. **Nota:** No utilice mantequilla refrigerada puesto que no tendrá tiempo de derretirse por completo en el corto ciclo de preparación de las palomitas de maíz. **NO** retire la taza de medición y de mantequilla durante el ciclo de preparación de las palomitas de maíz. Si se desean palomitas de maíz sin mantequilla, sigue siendo necesario colocar la taza de medición y de mantequilla en la tapa. **Nunca haga funcionar la máquina de hacer palomitas de maíz Air Crazy™ sin granos de maíz para palomitas de maíz o la tapa y la taza de medición y de mantequilla colocadas en su lugar.**
4. Colocar un recipiente resistente al calor de 4 Qt. (3.8 L), o más grande, debajo de la tolva de palomitas de maíz para recoger las palomitas de maíz en la medida que estas reventan. ½ taza de maíz para palomitas produce entre 3 y 4qt. (2.8-3.8L) de palomitas de maíz. **Nota:** Le recomendamos que utilice un recipiente que tenga por lo menos 5.5 pulg. (14cm) de profundidad al preparar las palomitas de maíz.
5. Enchufe el cordón eléctrico SOLAMENTE a un tomacorriente de corriente alterna de 120 voltios. Con la tapa y la taza de medición y de mantequilla colocados en su lugar, pulse el interruptor de encendido/apagado a la posición de encendido, hacia el símbolo " I " .
6. Los granos de maíz comenzarán a reventarse, y el ciclo se completará en un lapso de 3 minutos. Una vez que los granos de maíz hayan cesado de reventarse, gire el interruptor de encendido/apagado a la posición de apagado, el símbolo " O " . El ciclo de preparación de las palomitas de maíz se habrá completado cuando haya un lapso de 3 segundos entre el reventado de los granos. Desenchufe la máquina del tomacorriente. Deje reposar la máquina, con la tapa y la taza de medición y de mantequilla en su lugar, durante por lo menos un minuto después de completarse el ciclo de preparación de palomitas de maíz. Granos sin reventar podrían aún reventar inesperadamente. Tenga cuidado al manipular la máquina de hacer palomitas de maíz Air Crazy™, puesto que estará caliente después del ciclo de preparación de palomitas de maíz. Utilice siempre almohadillas térmicas o guantes para hornos al manipular el artefacto caliente.

7. Si se derritió mantequilla en la taza de medición y de mantequilla, viértala encima de las palomitas de maíz y rocíeles al gusto sal u otro condimento para palomitas de maíz. **Nota:** Si la mantequilla no se derrite por completo durante el ciclo de preparación de palomitas, **NO** siga operando la máq
8. uina de preparar palomitas para fundirla. Coloque la taza medidora/de mantequilla en el microondas y caliéntela en el mismo durante 10 segundos para terminar de fundir la mantequilla.
9. Si desea preparar una hornada de palomitas de maíz más, deje que se enfrie la máquina de hacer palomitas de maíz durante 5-7 minutos, luego saque cualesquier granos de maíz sin reventar y palomitas de maíz sueltas en la máquina volteando la misma. Utilice guantes de horno o almohadillas térmicas al manipular la máquina caliente. Si se derritió mantequilla en la taza de mantequilla, lave y seque la taza y vuelva colocarla en la tapa. Repita los pasos 1-7 arriba indicados. Después de dos hornadas, dejar enfriar durante 15 minutos antes de los usos adicionales de la máquina de hacer palomitas de maíz.
 - Una pequeña cantidad de humo y/o olor pueden presentarse al calentarse debido a la liberación de aceites usados en la fabricación – esto es normal.
 - Algunos sonidos menores de expansión/contracción pueden ocurrir durante el calentamiento y enfriamiento – esto es normal.

CONSEJOS PRÁCTICOS

- Siempre utilice maíz para palomitas de maíz fresco. El maíz para palomitas de maíz seco, rancio o viejo no revienta nada bien puesto que ha perdido el contenido de humedad y podría chamuscarse.
- Almacene el maíz para preparar palomitas de maíz en recipientes herméticos hechos de vidrio o de plástico para evitar la pérdida de humedad en los granos. Asegúrese de almacenar el recipiente en un sitio fresco, pero no lo almacene en el refrigerador. La mayoría de los refrigeradores contienen poca humedad y pueden secar los granos, lo cual resultará en una deficiente preparación de palomitas de maíz.
- Aunque recomendamos utilizar maíces palomeros blancos o amarillos para preparar palomitas de maíz, esta máquina de hacer palomitas de maíz también puede utilizar maíces palomeros de primera calidad y gourmet. Sin embargo, los maíces palomeros de primera calidad o gourmet pudieran no dar resultados tan buenos como el maíz palomero de calidad normal; podrá notar un aumento en el número de granos que no revientan.
- Si los granos de maíz no revientan, por lo general ello es el resultado de factores ambientales tales como la frescura y el contenido de humedad del maíz, o por variaciones en el tipo de maíz para palomitas de maíz. La presencia de granos sin reventar no necesariamente indica que el artefacto tenga algún defecto.
- No utilice esta máquina de hacer palomitas de maíz para frijoles, semillas, o nada mas que palomitas de maíz.
- Le recomendamos que utilice un recipiente hondo para preparar las palomitas de maíz. Utilice un recipiente de por lo menos 5.5 pulg. (14cm) de profundidad al preparar palomitas de maíz, y asegúrese de que el recipiente quede a ras con la máquina para recoger las palomitas. Si se utiliza un recipiente poco profundo, palomitas y granos de maíz calientes pueden rebotar del recipiente y pueden representar un riesgo de quemaduras. No se pare, ni permita que niños se paren, demasiado cerca de la máquina de preparar palomitas de maíz cuando esta está en funcionamiento.

- Esta máquina de hacer palomitas de maíz utiliza aire caliente para reventar. No requiere de grasas o aceites para reventar el maíz, y estos nunca deberán utilizarse en la máquina. **NO** utilice maíz especial de hacer palomitas de maíz en microondas.
- Empuje el cordón eléctrico en el parte posterior del artefacto para su fácil almacenaje sin enredos.
- Cuando hayan reventado todos los granos, empiece a recubrir las palomitas con sabores. Encontramos que un rocío ligero de aceite de oliva, (también hay disponibles un gran número de aceites de oliva infundidos), de zumo de limón o de lima, de vinagre balsámico o incluso de agua ayudará a que todos los condimentos adicionales se adhieran al maíz.
- El chocolate o el malvavisco derretidos son una gran manera de aglutinar y crear capas de ingredientes decadentes sobre las palomitas de maíz, o para crear bolas, barras o paletas de palomitas de maíz. Para un aglutinante más tradicional, hierva 1 taza de azúcar con 1 taza de jarabe de maíz, y a continuación agregue los demás ingredientes, mezcle y dele forma. O mientras esté todavía caliente, ruede las bolas o las paletas en dulces molidos, nueces picadas, coco, chispas.

LIMPIEZA DE LA MÁQUINA DE HACER PALOMITAS DE MAÍZ AIR CRAZY™

La máquina de hacer palomitas de maíz Air Crazy™ deberá limpiarse tras cada uso.

Nota: No sumerja la base de la máquina en agua o ningún otro líquido. No utilice limpiadores o estropajo sus abrasivos en cualquier parte de la máquina de hacer palomitas de maíz.

1. Desenchufe el artefacto del tomacorriente. **Antes de limpiarlo, permita que todo el artefacto se enfríe, con la taza de medición y de mantequilla en su lugar.**
2. Retire la tapa y la taza de medición y de mantequilla de la base del artefacto. Separe la tapa y la taza de medición y de mantequilla. Lávelas en agua caliente jabonosa. Enjuáguelas y séquelas a fondo. La taza de medición y de mantequilla y la tapa pueden lavarse en un lavavajillas, pero solamente en la rejilla superior.
3. Utilice un paño suave y húmedo para limpiar la parte exterior de la máquina de hacer palomitas de maíz y el vertedor de palomitas de maíz. **NO** pase el paño por dentro de la cámara de reventar granos. Cada vez que se limpie, verifique que no queden pedazos de palomitas de maíz dentro de los orificios de ventilación; antes de cada uso, asegúrese de que los orificios de ventilación no estén obstruidos.

Este artefacto no tiene ninguna pieza que el usuario puede reparar.

IDEAS Y RECETAS PARA PALOMITAS DE MAÍZ

Las palomitas de maíz son el lienzo en blanco perfecto para crear golosinas. Puede crear confecciones decadentes con chocolate y caramelos o tentempiés sanos, libres de toda culpa que todo el mundo puede disfrutar. Aquí hay algunas recetas e ideas para ayudarlo a empezar, pero en realidad, una vez que comience, su imaginación ya podrá hacerse cargo.

Trate de mezclar y combinar cualquiera de estos para preparar un tentempié saludable:

Levadura nutricional (fabuloso sabor a nuez)	Tomillo	Canela
Sal del mar	Copos de apio	Clavos
Ajo en polvo	Perejil	Cebollinos
Cebolla en polvo	Pimientos rojos aplastados	Azúcar
Chile en polvo	Pimienta negra	Eneldo
Comino	Cáscara de limón, naranja o lima	Queso parmesano, provolone o romano envejecido y rallado
Orégano	Cacao en polvo	
Romero	Basilio	
Pimentón dulce		

Trate de mezclar y combinar cualquiera de estos para una golosina decadente:

Barras de dulces picadas	Pastel o brownies desmenuzados	Bebidas en polvo
Chips de chocolate	Nueces	Salsa de queso seco en polvo
Malvaviscos	Pedazos de caramelo o caramelos de tamaño de un bocado	Mantequilla de maní
Cacahuets salados	Mezcla para preparar chocolate caliente	Cacao en polvo
Tocino	Cereal azucarado	Azúcar en polvo
Queso azul desmenuzado	Chocolate derretido o la corteza de almendra	Galletas saladas
Vinagre balsámico reducido (las frutas infundidas son una delicia)	Coco rallado o tostado	Pedazos de galletas integrales
Mezcla para pasteles		Galletas trituradas

Palomitas de Maíz con Queso Azul y Tocino de Joel

4 rebanadas de tocino	pimienta negra recién molida
10 tazas palomitas de maíz	1 cda. grasa de tocino reservada o 1 cda. aceite de oliva, opcional
½ taza queso azul desmenuzado	

Fría el tocino hasta quedar crujiente; enfríelo y desmenúcelo. Usando palomitas de maíz recién hechas y calientes, agregue el queso azul desmenuzado, el tocino, y generosamente espolvoree con pimienta negra recién molida. Si lo desea, agregue un poco de la grasa de tocino reservada o aceite de oliva para mejorar el sabor y ayudar a que los condimentos se peguen/adhieran.

Infusión de Hierbas

8-10 tazas de palomitas de maíz	(añadir pimienta a la mezcla si le gusta el picante)
4 cdas. aceite de coco, derretido	
2 cdas. levadura nutricional	Ajo o sal de mar al gusto
2 cdas. hierbas secas mezcladas: eneldo, tomillo, perejil y orégano	

Coloque las palomitas de maíz a un lado en un tazón grande, rocíe coco derretido sobre el maíz y revuelva para distribuirlo. Espolvoree con la mezcla de hierbas y añada el ajo o sal de mar al gusto, mezcle de nuevo

S'mores 'n More

8-10 tazas de palomitas de maíz (a nosotros nos gusta ligeramente untado con mantequilla y sal)
16 onzas de chocolate con leche u oscuro, derretido, para rociar
4 cdas. mantequilla
2 tazas de mini-malvaviscos

24 galletas integrales, rotas en pequeños trozos
O 2 tazas de cereal integral de desayuno
2 a 4 onzas de chocolate con leche, afeitado o cortado en trozos

En un tazón grande, mezcle las palomitas de maíz y la mitad de todos los demás ingredientes hasta que estén bien mezclados, extienda la mezcla sobre papel encerado o de pergamino, espolvoree las galletas o cereal y malvaviscos restantes por encima y rocíe con el chocolate fundido restante. Deje que se enfríe y cuaje antes de comerlo.

Pastel de Confeti de Palomitas de Maíz

8-10 tazas de palomitas de maíz (ya sea solas o con mantequilla y sal)
1 a 1½ tazas de mezcla para pastel (blanca, amarilla, o chocolate)

12 oz chocolate blanco, con leche, u oscuro
¼ taza de manteca vegetal
¼ de taza de chispas (redondas, de varios colores)

Hornee el chocolate en el microondas durante un minuto o hasta que se derrita. Añada la manteca vegetal y revuelva hasta que se derrita y quede bien mezclado. En un tazón grande, combine las palomitas de maíz con la mezcla de pastel seco, rocíe el chocolate derretido y mezcle bien para cubrirlas uniformemente. Agregue las chispas y mezcle, extienda la mezcla para que se enfríe y seque sobre el papel encerado o de pergamino.

Palomitas de Maíz Diga "Cheese"

8-10 tazas de palomitas de maíz con mantequilla
¼ taza de mantequilla derretida

1½ onz. (43g) (1 sobre) mezcla de salsa de queso seca (de una caja de macarrones con queso)

Mezcle las palomitas de maíz y los demás ingredientes hasta que queden bien mezclados.

Palomitas de Maíz de Fiesta de Limón

8-10 tazas de palomitas de maíz
1 limón lima, usar la cáscara y el zumo

1 cda. chile en polvo
½ cda. comino

Al completarse el ciclo de preparación de las palomitas, exprima el zumo del limón lima sobre las palomitas de maíz calientes y luego agregue la ralladura de cáscara de limón, el chile en polvo y el comino; mezcle bien.

GARANTÍA DEL PRODUCTO

Garantía Limitada de 1 Año del Artefacto Electrodoméstico

West Bend® ("la Compañía") garantiza que este aparato no presentará fallas de material ni fabricación durante un (1) año a partir de la fecha original de compra con prueba de dicha compra, siempre y cuando el aparato sea operado y mantenido tal como se indica en el Manual de Instrucciones. Toda pieza del aparato que presente fallas será reparada o reemplazada sin costo alguno a criterio de la Compañía. Esta garantía rige solamente para el uso doméstico dentro de la casa.

Esta garantía no cubre ningún daño, incluyendo la decoloración, de superficie antiadherente alguna del aparato electrodoméstico. Esta garantía es nula y sin efecto, a juicio exclusivo de la Compañía, si el aparato ha sido dañado por accidente, mal uso, abuso, negligencia, arañazos, o si el aparato ha sido alterado de alguna manera.

ESTA GARANTÍA REEMPLAZA A TODAS LAS DEMÁS GARANTÍAS IMPLÍCITAS, INCLUYENDO AQUÉLLAS DE COMERCIABILIDAD, IDONEIDAD PARA UN FIN O USO EN PARTICULAR, DESEMPEÑO, U OTROS TIPOS, LAS CUALES QUEDAN EXCLUIDAS MEDIANTE EL PRESENTE DOCUMENTO. BAJO NINGUNA CIRCUNSTANCIA ASUMIRÁ LA COMPAÑÍA RESPONSABILIDAD POR DAÑOS, YA SEAN DIRECTOS, INMEDIATOS, INCIDENTALES, PREVISIBLES, CONSECUENTES O ESPECIALES QUE SURJAN DEL USO DEL APARATO ELECTRODOMÉSTICO O GUARDEN RELACIÓN CON EL MISMO.

Si usted piensa que el aparato se ha dañado o requiere servicio dentro del período de garantía, por favor póngase en contacto con el Departamento de Atención al Cliente al (866) 290-1851, o envíenos un correo electrónico a customercare@westbend.com. Un recibo que acredite la fecha de compra original será requerido para todos los reclamos; **los recibos escritos a mano no son aceptados**. También se le podrá exigir devolver el aparato para su inspección y evaluación. Los gastos de envío no son reembolsables. La Compañía no se hace responsable de las devoluciones perdidas en tránsito.

Válido sólo en EE.UU. y Canadá

REPUESTOS

Las piezas de repuesto, si están disponibles, se pueden pedir directamente a la Compañía de varias maneras. Ordene en línea en www.westbend.com, al correo electrónico customercare@westbend.com, o por teléfono llamando al (866) 290-1851, o escribiendo a:

West Bend
Atención: Customer Care Dept.
P. O. Box 53
West Bend, WI 53095

Para hacer un pedido con un cheque o giro postal, sírvase primero ponerse en contacto con el Dept. de Atención al Cliente para solicitar el monto total del pedido. Envíe su pago junto con una carta en la que indique el modelo y número de catálogo del aparato, que se puede encontrar en la parte inferior o posterior del aparato, una descripción de la parte o partes que usted está pidiendo, y la cantidad que desea.

Se sumará al total el impuesto de venta estatal/provincial que corresponda, más un cargo por despacho y procesamiento. Estime un lapso de dos semanas para el procesamiento y la entrega.

Este manual contiene información importante y útil sobre el uso seguro y el cuidado de su producto. Para su propia referencia, archive aquí el recibo fechado que sirve de comprobante de compra para la garantía, y anote la siguiente información:

Fecha en que compró o recibió la unidad como regalo: _____

Dónde se efectuó la compra y el precio, si lo sabe: _____

Número y código de fecha del producto (aparece en la parte inferior/posterior de la unidad): _____

NOTES/NOTAS