

WestBend®

AIR CRAZY™ MINI HOT AIR POPCORN MACHINE

Instruction Manual



Register this and other Focus Products Group International products through our website: www.registerfocus.com
Product registration is not required to activate warranty.

Important Safeguards.....	2
Before Using for the First Time	3
Using Your Air Crazy™ Mini Hot Air Popcorn Machine	3
Helpful Hints	4
Cleaning Your Air Crazy™ Mini Hot Air Popcorn Machine	5
Popcorn Ideas	5
Warranty.....	6

SAVE THIS INSTRUCTION MANUAL FOR FUTURE REFERENCE

IMPORTANT SAFEGUARDS



CAUTION

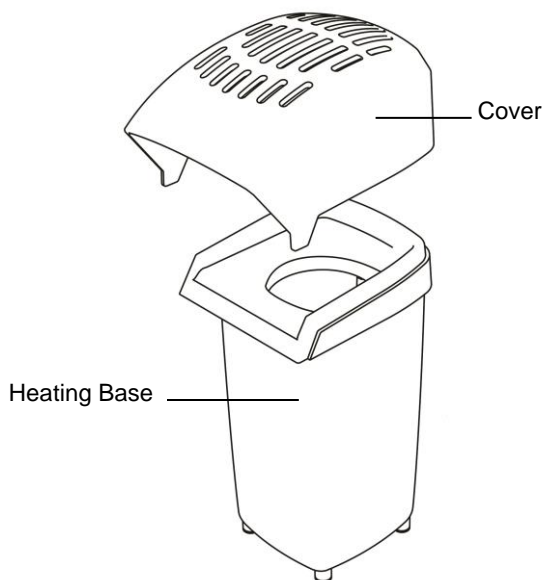
To prevent personal injury or property damage, read and follow all instructions and warnings.

When using electrical appliances, basic safety precautions should always be followed including:

- Read all instructions.
- Do not touch hot surfaces. Use hot pads or oven mitts. Cover will become hot during operation.
- Always unplug from outlet when not in use and before cleaning. Allow to cool before putting on or taking off parts and before cleaning.
- Close supervision is necessary when this appliance is used by or near children.
- Do not operate any appliance with a damaged cord or plug, after the appliance malfunctions, or has been damaged in any manner. For service information see warranty page.
- The use of accessory attachments not recommended by Focus Products Group International may cause injuries.
- Do not use this appliance outdoors.
- Do not let cord hang over the edge of the table or counter, or touch hot surfaces.
- Do not place on or near a hot gas or electric burner, or in a heated oven.
- Do not use appliance for other than intended use.
- To protect against electric shock, do not immerse cord, plugs, or other electric parts in water or other liquids.
- Do not attempt to repair this appliance yourself.
- A popper that is plugged into an outlet should not be left unattended.
- This popper will not shut off automatically. To avoid overheating, add popcorn kernels before operating.
- A short power-supply cord is provided to reduce risks resulting from becoming entangled in or tripping over a longer cord.
- Longer extension cords are available, but care must be exercised in their use. While use of an extension cord is not recommended, if you must use one, ensure that the marked electrical rating of the extension cord is equal to or greater than that of the appliance. If the plug is of the grounded type, the extension cord must be a grounding-type 3-wire cord. To avoid pulling, tripping or entanglement, position the extension cord so that it does not hang over the edge of the counter, table or other area where it can be pulled on by children or tripped over.
- This appliance has a polarized plug (one blade is wider than the other). To reduce the risk of electric shock, this plug is intended to fit into a polarized outlet only one way. If the plug does not fit fully into the outlet, reverse the plug. If it still does not fit, contact a qualified electrician. Do not attempt to modify the plug in any way.
- Do not use an outlet or extension cord if the plug fits loosely or if the outlet or extension cord feels hot.

- During use, do not remove cover. Do not remove cover from the appliance until you have not heard a kernel pop for at least 1 minute.
- **For household use only.**

SAVE THESE INSTRUCTIONS



BEFORE USING FOR THE FIRST TIME

Wash the cover with warm, soapy water. Rinse thoroughly and dry. Wipe the exterior of the heating base with a soft, damp cloth and dry. It is not necessary to clean inside the popcorn chamber. **Note: DO NOT** immerse the heating base in water or any other liquid. **DO NOT** put the heating base into the dishwasher. This will permanently damage the product and will void the warranty.

USING YOUR AIR CRAZY™ MINI HOT AIR POPCORN MACHINE

This appliance uses hot air to pop the corn. DO NOT place anything other than popcorn kernels into the popping chamber.

1. Remove the cover. Ensure the screen is clear of popcorn pieces before each use. For a single serving, use a standard measuring spoon to measure 2 tbsp. For 2 servings, fill to the "MAX" fill line, or use a standard measuring cup to measure $\frac{1}{4}$ cup of popcorn kernels. **DO NOT** attempt to pop more than $\frac{1}{4}$ cup or less than 2 tbsp. of popcorn kernels at one time.
2. Pour popcorn kernels into the popping chamber. **DO NOT** put oil, butter, shortening, salt, or anything other than popcorn into the chamber. Place the cover in position. **Never run the Air Crazy™ Mini popcorn machine without popcorn or the cover in place.**

3. Place a large, heat-resistant bowl below the popcorn chute to collect popcorn as it pops. $\frac{1}{4}$ cup of popcorn kernels will yield between 1 and 2 quarts of popped popcorn. **Note:** We recommend using a bowl that is at least 5.5" deep when popping corn.
4. With the cover in place, plug the cord into a 120 volt, AC outlet **ONLY**. The appliance will immediately begin to run.
5. Popcorn will begin to pop, and the cycle should be complete within 2½ minutes. After popcorn has completed popping, unplug the appliance from the outlet. Popcorn cycle has completed when there is a gap of 3 seconds between kernels popping. Let it sit, with the lid in place, for at least one minute after completion of the popping cycle. Unpopped kernels may still pop unexpectedly in the popping chamber or your bowl. Use caution when handling the Air Crazy™ Mini popcorn machine, it **will** be hot after popping cycle. Always use hot pads or oven mitts to handle the hot appliance.
6. If you wish to pop an additional batch of popcorn, let the appliance cool for 5-7 minutes, then remove any unpopped kernels and loose popcorn from the heating base by inverting it. Use oven mitts or hot pads when handling the hot appliance. Repeat steps 1-5 above. After 2 batches, let the appliance cool 15 minutes before additional uses.
 - A small amount of smoke and/or odor may occur upon heating due to the release of manufacturing oils – this is normal.
 - Some minor expansion/contraction sounds may occur during heating and cooling – this is normal.

HELPFUL HINTS

- Always use fresh popcorn. Dried out, stale, or old popcorn pops poorly as it has lost its moisture content and may scorch.
- Store popcorn in airtight containers made of glass or plastic to avoid moisture loss in the kernels. Be sure that the container is stored in a cool place, do not store in the refrigerator. Most refrigerators contain little moisture and can dry out kernels, resulting in poor popping.
- While we recommend using regular white or yellow popcorn, this popcorn machine can also accommodate gourmet and organic popcorns. However, gourmet and organic popcorns may not yield results as good as regular popcorn; you may notice an increase in the number of unpopped kernels.
- If popcorn does not pop, it is usually the result of environmental factors such as the freshness and moisture content of the popcorn, or variances by popcorn type. Unpopped kernels do not necessarily indicate a defect in the appliance.
- This appliance is not intended for use with seeds, beans, or anything other than popcorn.
- We recommend using a deep bowl for popping popcorn. Use a bowl that is at least 5.5" deep when popping corn, and be sure that the bowl is flush to the heating base to collect popped corn. If too shallow a bowl is used, hot popcorn and kernels can ricochet from the bowl and can pose a burn hazard. Do not stand, or allow children to stand, too close to the appliance as it is operating.
- This appliance pops using hot air. It does not require any oils or fats to pop the corn, and they should never be used in the appliance. **DO NOT** use microwave popcorn.

CLEANING YOUR AIR CRAZY™ MINI HOT AIR POPCORN MACHINE

Your Air Crazy™ Mini popcorn machine may be cleaned after every use. **Note:** Do not immerse the heating base in water or any other liquid. Do not use any abrasive cleansers or scrubbers on any part of the appliance.

1. Unplug the appliance from the electrical outlet. **Allow the entire appliance to cool, with the cover in place, before cleaning.**
2. Remove the cover from the heating base. Wash in warm, soapy water. Rinse and dry thoroughly. The cover may be washed in a dishwasher, **top rack only.**
3. Use a soft, damp cloth to wipe the exterior of the heating base. **DO NOT** wipe inside the popping chamber. Check during every cleaning that no pieces of popcorn are lodged into the screen; ensure that the screen is clear before each use.

This appliance has no user serviceable parts.

POPCORN IDEAS

Popcorn is the perfect blank canvas for creating treats. You can create decadent concoctions with chocolate and candies or healthy, guilt-free snacks that everyone can enjoy. Here are some ideas to get you started, but really, once you start, your imagination can take over.

When you're done popping, start layering flavors. We find a light misting of olive oil, (many great infused olive oils are also available) lemon or lime juice, balsamic vinegar, or even water will help any additional seasonings adhere to the corn.

Try mixing and matching any of these for a healthy snack:

Nutritional Yeast (great nutty flavor)	Paprika	Basil
Sea salt	Thyme	Cinnamon
Garlic powder	Celery flakes	Cloves
Onion powder	Parsley	Chives
Chili powder	Crushed red peppers	Sugar
Cumin	Black pepper	Dill
Oregano	Lemon, orange, or lime zest	Aged and grated
Rosemary	Cocoa powder	Parmesan, Provolone, or Romano cheese

Melted chocolate or marshmallow is a great way to bind and layer decadent ingredients with popcorn, or to create popcorn balls, bars, or pops. For a more traditional binder, boil 1 cup of sugar with 1 cup of corn syrup, then add your other ingredients toss and form. Or while still warm, roll balls or pops in crushed candies, coconut, chopped nuts, sprinkles.

Try mixing and matching any of these for a decadent treat:

Chopped candy bars	Nuts	Dry cheese sauce powder
Chocolate chips	Candy pieces or Bite-sized candies	Peanut butter
Marshmallows	Hot cocoa mix	Cocoa powder
Salted peanuts	Sweetened cereal	Powdered sugar
Bacon	Melted chocolate or	Pretzels
Blue cheese crumbles	Almond bark	Graham cracker pieces
Reduced balsamic vinegar (fruit infused is delightful)	Toasted or grated	Crushed cookies
Cake mix	coconut	
Cake or brownie crumbles	Powdered drink mixes	

PRODUCT WARRANTY

Appliance 1 Year Limited Warranty

Focus Products Group International, LLC ("the Company") warrants this appliance from failures in the material and workmanship for one (1) year from the date of original purchase with proof of purchase, provided that the appliance is operated and maintained in conformity with the Instruction Manual. Any failed part of the appliance will be repaired or replaced without charge at the Company's discretion. This warranty applies to indoor household use only.

This warranty does not cover any damage, including discoloration, to any non-stick surface of the appliance. This warranty is null and void, as determined solely by the Company, if the appliance is damaged through accident, misuse, abuse, negligence, scratching, or if the appliance is altered in any way.

THIS WARRANTY IS IN LIEU OF ALL IMPLIED WARRANTIES, INCLUDING WARRANTIES OF MERCHANTABILITY, FITNESS FOR A PARTICULAR PURPOSE, PERFORMANCE, OR OTHERWISE, WHICH ARE HEREBY EXCLUDED. IN NO EVENT SHALL THE COMPANY BE LIABLE FOR ANY DAMAGES, WHETHER DIRECT, INDIRECT, INCIDENTAL, FORSEEABLE, CONSEQUENTIAL, OR SPECIAL ARISING OUT OF OR IN CONNECTION WITH THIS APPLIANCE.

If you think the appliance has failed or requires service within its warranty period, please contact the Customer Care Department at (866) 290-1851, or e-mail us at customercare@focuspg.com. A receipt proving the original purchase date will be required for all warranty claims, **hand written receipts are not accepted**. You may also be required to return the appliance for inspection and evaluation. Return shipping costs are not refundable. The Company is not responsible for returns lost in transit.

Valid only in USA and Canada

REPLACEMENT PARTS

Replacement parts, if available, may be ordered directly from the Company several ways. Order online at www.westbend.com, e-mail customercare@focuspg.com, over the phone by calling (866)290-1851, or by writing to:

Focus Products Group International, LLC.
Attn: Customer Care Dept.
P. O. Box 53
West Bend, WI 53095

To order with a check or money order, please first contact Customer Care for an order total. Mail your payment along with a letter stating the model or catalog number of your appliance, which can be found on the bottom or back of the appliance, a description of the part or parts you are ordering, and the quantity you would like. Your check should be made payable to Focus Products Group International, LLC.

Your state/province's sales tax and a shipping fee will be added to your total charge. Please allow two weeks for processing and delivery.

This manual contains important and helpful information regarding the safe use and care of your product. For future reference, attach dated sales receipt for warranty proof of purchase and record the following information:

Date purchased or received as gift: _____

Where purchased and price, if known: _____

Item number and Date Code (shown bottom/back of product): _____

WestBend®

MINI-MACHINE À POPCORN AIR CRAZY™

Mode d'Emploi



Veuillez enregistrer cet appareil ainsi que vos autres produits Focus Products Group International sur notre site Internet: www.registerfocus.com

L'enregistrement d'un produit n'est pas exigé pour activer la garantie.

Précautions Importantes	2
Avant la Première Utilisation	3
Utilisation de Votre Mini-Machine à Popcorn Air Crazy™	4
Conseils Utiles	5
Nettoyage de Votre Mini-Machine à Popcorn Air Crazy™	5
Idées de Popcorn	6
Garantie	7

CONSERVEZ CE MANUEL D'INSTRUCTIONS POUR RÉFÉRENCE FUTURE

PRECAUTIONS IMPORTANTES



MISE EN GARDE

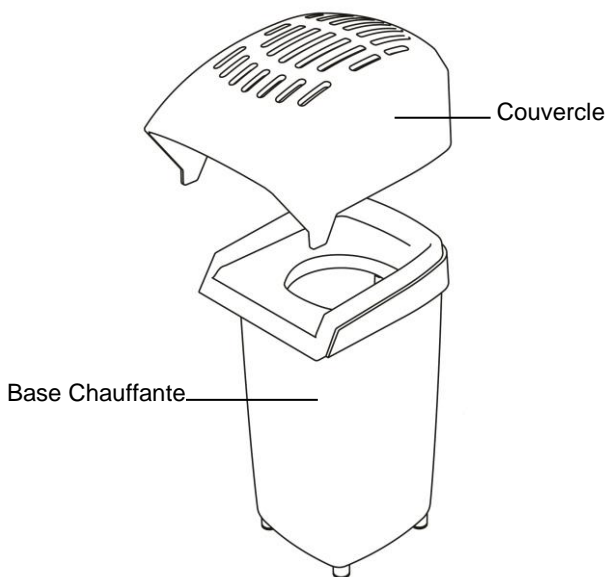
Pour prévenir toute lésion corporelle ou dommage matériel, veuillez lire et suivre toutes les instructions et mises en garde.

Observez toujours les précautions d'usage lors de l'utilisation d'appareils électriques, notamment:

- Lisez toutes les instructions.
- Ne touchez pas les surfaces chaudes. Utilisez des maniques ou des gants isolants. Le couvercle devient brûlant durant le fonctionnement.
- Débranchez toujours l'appareil lorsqu'il n'est pas utilisé ou avant un nettoyage. Laissez-le refroidir avant de remettre ou de retirer des pièces et avant tout nettoyage.
- Exercez une étroite surveillance lorsque l'appareil est utilisé par des enfants, ou à proximité.
- Ne faites jamais fonctionner un appareil électroménager, quel qu'il soit, avec une prise ou un cordon endommagés, après un dysfonctionnement de l'appareil ni si l'appareil est endommagé d'une manière quelconque. Pour les renseignements concernant les réparations, consultez la page de garantie.
- Focus Products Group International déconseille l'utilisation de rallonges qui risqueraient d'occasionner des lésions.
- N'utilisez pas cet appareil à l'extérieur.
- Ne laissez pas le cordon pendre sur le bord de la table ou du plan de travail, ni entrer en contact avec des surfaces chaudes.
- Ne placez pas l'appareil sur, ni à proximité d'un brûleur chaud, à gaz ou électrique, ni dans un four chaud.
- N'utilisez l'appareil dans aucun autre objectif que celui pour lequel il est prévu.
- Pour éviter toute électrocution, n'immergez pas les cordons, prises et autres éléments électriques dans de l'eau ou d'autres liquides.
- Ne tentez pas de réparer cet appareil vous-même.
- Ne laissez jamais un éclateur de maïs branché sans surveillance.
- Cet appareil ne s'éteint pas automatiquement. Pour éviter toute surchauffe de l'appareil, ajoutez les grains de maïs avant de le mettre en marche.
- Le cordon d'alimentation fourni est court afin de réduire les risques qu'il s'emmêle ou que quelqu'un se prenne les pieds dans un cordon plus long.
- Des rallonges plus longues sont disponibles, mais celles-ci doivent être utilisées avec prudence. Bien qu'il soit déconseillé d'utiliser une rallonge, si celle-ci est nécessaire, veillez à ce que les valeurs électriques nominales de la rallonge soient égales ou supérieures au cordon de l'appareil. Si la prise comporte une terre, la rallonge doit être un cordon à trois fiches dont une de terre. Pour éviter de tirer ou trébucher dessus, ou qu'elle s'emmêle, placez la rallonge de manière à ce qu'elle ne pende pas par-dessus le bord du plan de travail, de la table ou de toute autre surface, où un enfant pourrait tirer dessus ou trébucher.

- Cet appareil comporte une prise polarisée (une lame est plus large que l'autre). Pour réduire le risque d'électrocution, cette prise est destinée à être branchée dans un seul sens sur une prise secteur polarisée. Retournez la prise de l'appareil si elle ne rentre pas complètement dans la prise secteur. Si elle ne rentre toujours pas, contactez un électricien qualifié. Ne tentez en aucune façon de modifier la prise.
- N'utilisez pas de prise ni de rallonge si la prise de l'appareil n'est pas fermement branchée ou si la rallonge chauffe.
- Ne retirez pas le couvercle durant l'utilisation. Ne retirez pas le couvercle de l'appareil sans avoir entendu les grains de maïs éclater pendant au moins une minute.
- **Destiné à un usage domestique uniquement.**

CONSERVEZ CES CONSIGNES



AVANT LA PREMIÈRE UTILISATION

Lavez le couvercle à l'eau chaude savonneuse. Rincez bien et séchez. Essuyez l'extérieur de la base chauffante avec un chiffon doux et humide puis séchez. Il n'est pas nécessaire de nettoyer l'intérieur du compartiment à maïs. **Remarque: n'immergez PAS** la base chauffante dans l'eau ni dans aucun autre liquide. **NE lavez PAS** la base chauffante au lave-vaisselle sous peine d'endommager définitivement l'appareil et d'annuler la garantie.

UTILISATION DE VOTRE MINI-MACHINE À POPCORN AIR CRAZY™

Cet appareil utilise de l'air chaud pour faire éclater les grains de maïs. **NE placez RIEN d'autre que des grains de maïs dans le compartiment à maïs.**

1. Retirez le couvercle. Assurez-vous avant chaque usage que le couvercle est propre, sans morceaux de popcorn. Pour une portion, utilisez une cuillère à mesurer standard et mesurez deux cuillères de table. Pour deux portions, remplissez jusqu'au niveau « MAX », ou utilisez une tasse à mesurer standard et mesurez $\frac{1}{4}$ de tasse de grains de maïs. **NE tentez PAS** de faire éclater plus d'un quart de tasse ni moins de deux cuillères de table de grains de maïs à la fois.
2. Versez les grains de maïs dans le compartiment prévu à cet effet. **N'ajoutez PAS** d'huile, de beurre, de matière grasse, de sel ni rien d'autre que des maïs à éclater, dans le compartiment. Mettez le couvercle en place. **Ne faites jamais fonctionner la mini-machine à popcorn Air Crazy™ sans grains de maïs ou sans le couvercle.**
3. Placez une grande jatte résistante à la chaleur sous le bec de distribution de popcorn pour les recueillir au fur et à mesure qu'ils éclatent. $\frac{1}{4}$ de tasse de grains de maïs donne entre un et deux quarts de popcorn. **Remarque:** Nous recommandons d'utiliser une jatte d'au moins 5.5 po de profondeur pour éclater le maïs.
4. Le couvercle étant en place, branchez le cordon sur une prise 120 volts, c.a **UNIQUEMENT**. L'appareil se mettra immédiatement en marche.
5. Le maïs commencera à éclater et le cycle devrait être terminé dans les 2½ minutes. Une fois tous les grains de maïs éclatés, débranchez l'appareil. Le cycle d'éclatement est terminé lorsqu'il s'écoule trois secondes entre l'éclatement de deux grains de maïs. Après la fin du cycle d'éclatement, laissez reposer au moins une minute avec le couvercle en place. Les grains non éclatés peuvent toujours éclater de manière inattendue dans le compartiment à grains ou dans la jatte. Manipulez prudemment la mini-machine à popcorn Air Crazy™ après le cycle de fonctionnement car il **sera** chaud. Utilisez toujours des maniques ou des gants isolants pour manipuler l'appareil chaud.
6. Si vous souhaitez faire éclater une nouvelle portion de maïs, laissez l'appareil refroidir durant 5 à 7 minutes, puis retournez la base chauffante pour en retirer tous les grains non éclatés et les morceaux de popcorn. Utilisez des gants isolants ou des maniques pour manipuler l'appareil chaud. Répétez les étapes 1 à 5 ci-dessus. Après deux cycles de fonctionnement consécutifs, laissez l'appareil refroidir 15 minutes avant de le réutiliser.
 - Un peu de fumée et/ou une odeur peuvent s'échapper durant le chauffage en raison de la libération des huiles de fabrication. Ceci est normal.
 - Quelques sons étouffés d'expansion/contraction peuvent se produire durant le chauffage et le refroidissement. Ceci est normal.

CONSEILS UTILES

- Utilisez toujours du maïs à éclater frais. Les grains de maïs vieux, secs ou éventés, n'éclatent pas bien parce qu'ils ont perdu leur contenu en humidité et ils peuvent griller.
- Conservez le maïs à éclater dans un récipient hermétique en verre ou en plastique pour éviter que les grains ne perdent leur humidité. Veillez à ranger le récipient dans un endroit frais mais pas au réfrigérateur. La plupart des réfrigérateurs contiennent une humidité limitée et les grains de maïs peuvent se dessécher, avec pour résultat peu de grains qui éclatent.
- Bien que nous recommandions d'utiliser du maïs à éclater blanc ou jaune ordinaire, cet appareil à souffler le maïs peut également servir avec du maïs gourmet ou biologique. Toutefois, les maïs gourmet et biologique peuvent ne pas donner d'aussi bons résultats que le maïs à éclater ordinaire, avec un plus grand nombre de grains qui n'éclatent pas.
- Si le maïs n'éclate pas, c'est en général la conséquence de facteurs environnementaux comme la fraîcheur et le contenu en humidité des grains de maïs, ou de variations du type de maïs. Les grains de maïs non éclatés n'indiquent pas nécessairement un défaut de l'appareil.
- Cet appareil n'est pas destiné à être utilisé avec des graines, haricots ni avec rien d'autre que du maïs à éclater.
- Nous recommandons d'utiliser une jatte profonde pour recueillir le popcorn. Utilisez une jatte d'au moins 5.5 po de profondeur pour recueillir le popcorn et veillez à la placer contre la base chauffante. Si elle n'est pas assez profonde, le et les grains de maïs chauds peuvent ricocher sur le bol et constituer un risque de brûlure. N'autorisez pas les enfants à rester, et ne restez pas vous-même, trop près de l'appareil lorsqu'il est en marche.
- Cet appareil fait éclater le maïs grâce à de l'air chaud. Aucune huile ni matière grasse ne sont nécessaires pour faire éclater le maïs et il ne faut jamais en utiliser avec cet appareil. **N'utilisez PAS** de maïs à éclater au four à micro-ondes.

NETTOYAGE DE VOTRE MINI-MACHINE À POPCORN AIR CRAZY™

Vous pouvez nettoyer la mini-machine à popcorn AIR CRAZY^{MC} à air chaud après chaque usage. **Remarque:** N'immergez PAS la base chauffante dans l'eau ni dans aucun autre liquide. N'utilisez aucun produit abrasif ni tampon à récurer, nulle part sur l'appareil.

1. Débranchez l'appareil de la prise électrique. **Avant tout nettoyage, laissez refroidir l'ensemble de l'appareil, avec le couvercle en place.**
2. Retirez le couvercle de la base chauffante. Lavez-le à l'eau chaude, savonneuse. Rincez et séchez bien. Le couvercle peut se laver au lave-vaisselle, en le plaçant dans le **panier supérieur uniquement.**
3. Utilisez un chiffon doux humide pour essuyer l'extérieur de la base chauffante. **N'essuyez PAS** l'intérieur du compartiment où le maïs éclate. Au cours de chaque nettoyage, vérifiez qu'aucun morceau de popcorn n'est logé dans le couvercle et veillez à ce que ce dernier soit propre avant chaque utilisation.

Cet appareil ne comporte pas de pièces pouvant être changées par l'utilisateur.

IDÉES DE POPCORN

Le popcorn constitue la base idéale pour créer des friandises. Vous pouvez inventer des concoctions décadentes avec du chocolat et des bonbons ou, sans remords, des collations saines que chacun pourra savourer. Voici quelques idées pour commencer mais vraiment, ensuite, votre imagination prendra le relais.

Lorsque le maïs aura éclaté, commencez à superposer les saveurs. Nous trouvons qu'une légère vaporisation d'huile d'olive (de nombreuses excellentes huiles d'olive parfumées sont également disponibles), du citron ou du jus de lime, du vinaigre balsamique ou même de l'eau favorisent l'adhérence d'assaisonnements supplémentaires au maïs.

Essayez de mélanger et de combiner n'importe lequel des éléments suivants pour vous faire un encas sain:

Levure nutritionnelle (bon arôme de noix)	Paprika	Poudre de cacao
Sel de mer	Thym	Basilic
Poudre d'ail	Flocons de céleri	Cannelle
Poudre d'oignon	Persil	Clous de girofle
Poudre de chili	Piments rouges écrasés	Ciboulette
Cumin	Piment noir	Sucre
Origan	Zeste de citron vert, d'orange ou de citron	Aneth
Romarin	normal	Vieux Parmesan, fromage Romano ou Provolone râpé

Des chamallow ou du chocolat fondus constituent un excellent moyen de lier et de superposer des ingrédients décadents aux popcorn, ou permettent de créer des boules, des barres ou des sucettes de popcorn. Pour lier de manière plus traditionnelle, faites bouillir une tasse de sucre dans une tasse de sirop de maïs, puis ajoutez vos autres ingrédients et mélangez. Ou roulez des boules ou des sucettes de popcorn pendant qu'il est encore chaud, dans des bonbons écrasés, de la noix de coco, des noix concassées ou des billes de confiserie.

Essayez de mélanger et de combiner n'importe lequel de ces éléments pour vous faire un petit plaisir bien agréable:

Barres de bonbons découpées	Miettes de brownie ou de gâteau	Mélanges de boisson en poudre
Pépites de chocolat	Noix	Poudre de sauce de fromage sec
Marshmallows	Morceaux de bonbons ou petits bonbons	Beurre de cacahouète
Cacahouètes salées	Mélange de cacao chaud	Poudre de cacao
Bacon	Céréale édulcorée	Sucre en poudre
Miettes de fromage bleu	Chocolat fondu ou	Bretzels
Vinaigre balsamique affiné (infusé aux fruits est délicieux)	écorce d'amande	Morceaux de biscuits de farine complète
Préparation pour gâteau	Noix de coco râpée ou toastée	Cookies écrasés

GARANTIE DU PRODUIT

Garantie Limitée de 1 An de l'Appareil

Focus Products Group International, LLC ("la société") garantit "pièces et main d'œuvre" que cet appareil est, et demeurera, exempt de défauts, pendant une durée d'un (1) an, à compter de la date originelle d'achat, en fonction d'une preuve d'achat, si ce dernier est utilisé et entretenu conformément au mode d'emploi. Toute pièce défectueuse de l'appareil sera réparée ou remplacée sans frais, et à la discrétion de la société. Cette garantie ne s'applique qu'à une utilisation domestique en intérieur.

Cette garantie ne couvre pas les dégâts, notamment toute décoloration, causés à toute surface non collante de l'appareil. Cette garantie sera annulée, à la seule discrétion de la société, si l'appareil est endommagé suite à un accident, à une mauvaise utilisation, à un abus, à une négligence, par des rayures, ou si l'appareil est modifié de quelque façon que ce soit.

CETTE GARANTIE SUPPLANTE TOUTES GARANTIES SOUS-ENTENDUES, NOTAMMENT TOUTES GARANTIES DE VALEUR MARCHANGE, D'ADEQUATION A UN OBJET PARTICULIER, DE PERFORMANCES OU AUTRES, QUI SONT ICI EXCLUES. EN AUCUN CAS, LA SOCIETE NE POURRA ETRE TENUE RESPONSABLE DE TOUS DEGATS, DIRECTS OU INDIRECTS, FORTUITS, PREVISIBLES, CONSECUTIFS OU SPECIAUX, SURVENANT DE L'UTILISATION DE CE PRODUIT

Si vous pensez que l'appareil est tombé en panne ou devrait être réparé en étant couvert par sa garantie, veuillez contacter le service d'assistance à la clientèle au (866) 290-1851, ou envoyer un e-mail à l'adresse customercare@focuspg.com. Un reçu, prouvant la date originelle de l'achat, sera demandé pour toutes les demandes faites sous garantie; **les reçus rédigés à la main ne seront pas acceptés**. Il se peut également que l'on vous demande de renvoyer l'appareil pour qu'il soit vérifié et évalué. Les frais de renvoi ne sont pas remboursables. La société n'est pas responsable de la perte en transit de tout appareil renvoyé.

Valable uniquement aux USA et au Canada

PIÈCES DE RECHANGE

Les pièces détachées / de rechange, si disponibles, peuvent être commandées directement à la société de plusieurs façons. En les commandant en ligne sur le lien www.westbend.com, par e-mail au customercare@focuspg.com, par téléphone en appelant au (866)290-1851, ou en écrivant à:

Focus Products Group International, LLC.
Attn: Customer Care Dept.
P. O. Box 53
West Bend, WI 53095

Pour commander à l'aide d'un chèque ou d'un mandat, veuillez commencer par contacter le service d'assistance à la clientèle pour obtenir un total de commande. Envoyez par courrier votre commande, accompagnée d'une lettre mentionnant le modèle et le numéro de catalogue de votre appareil, que vous pourrez trouver en bas ou à l'arrière de l'appareil, une description de la pièce ou des pièces que vous voulez commander, ainsi que la quantité désirée. Votre chèque devra être libellé à l'ordre de Focus Products Group International, LLC.

La TVA de votre province et les frais d'envoi, seront ajoutés au montant total. Veuillez patienter deux semaines pour que la livraison et le traitement puissent avoir lieu.

Ce manuel contient des informations utiles et importantes, sur l'utilisation et l'entretien sécurisés de votre appareil. A titre de référence future, attachez le reçu daté qui vous tiendra lieu de preuve d'achat pour la garantie, et consignez les informations suivantes:

Date d'achat ou de réception en cadeau: _____

Lieu d'achat et prix, si connus: _____

Numéro de l'article et Code de date (dessous/arrière de l'appareil): _____

Française - 7

WestBend®

MÁQUINA DE HACER PALOMITAS DE MAÍZ AIR CRAZY™ MINI

Manual de Instrucciones



Registre este y otros productos Focus Products Group International a través de nuestro sitio web: www.registerfocus.com

No se requiere registrar el producto para activar la garantía.

Precauciones Importantes.....	2
Antes de Usar por Primera Vez.....	3
Cómo Usar la Máquina de Hacer Palomitas de Maíz Air Crazy™ Mini	4
Consejos Prácticos.....	5
Limpieza de la Máquina de Hacer Palomitas de Maíz Air Crazy™ Mini.....	5
Ideas para Palomitas de Maíz.....	6
Garantía	7

CONSERVE ESTAS INSTRUCCIONES COMO REFERENCIA PARA EL FUTURO

PRECAUCIONES IMPORTANTES



PRECAUCIÓN

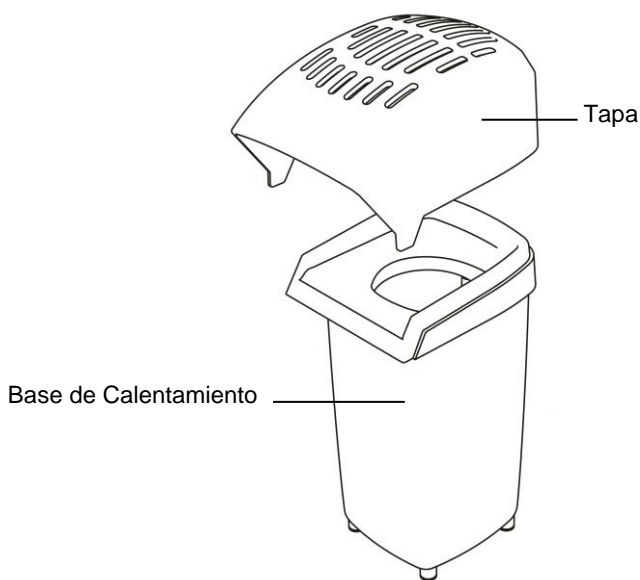
Para evitar lesiones personales o daños materiales, lea y siga todas las instrucciones y advertencias.

Al utilizar aparatos eléctricos, siempre deben acatarse las precauciones básicas de seguridad, entre ellas las siguientes:

- Lea todas las instrucciones.
- No toque las superficies calientes. Utilice almohadillas térmicas o guantes de cocina. La tapa se calentará durante el funcionamiento.
- Siempre desenchufe el aparato del tomacorriente cuando no esté en uso y antes de limpiarlo. Permita que se enfríe antes de colocarle o quitarle piezas o antes de limpiarlo.
- Se requiere una supervisión cercana cuando este electrodoméstico sea usado por o cerca de niños.
- No haga funcionar ningún aparato que tenga el cordón eléctrico o el enchufe dañados, después de haber sufrido una falla o de haberse dañado de cualquier manera. Para información relacionada con el servicio de reparaciones vea la página de garantías.
- El uso de accesorios no recomendados por Focus Products Group International puede causar lesiones.
- No use este aparato al aire libre.
- No permita que el cordón eléctrico cuelgue sobre el borde de una mesa o encimera, ni que toque superficies calientes.
- No lo coloque sobre o cerca de un calentador eléctrico o de gas, ni dentro de un horno caliente.
- No utilice el aparato para usos distintos de los indicados.
- Para protegerse contra descargas eléctricas no sumerja el cable, enchufes, u otras partes eléctricas en agua u otros líquidos.
- No trate de reparar este electrodoméstico usted mismo.
- Una máquina de preparar palomitas de maíz que esté enchufada a un tomacorriente no deberá dejarse sola durante ningún momento.
- Esta máquina de preparar palomitas no se apagará automáticamente. Para evitar el sobrecalentamiento, añada los granos de maíz para palomitas de maíz antes de ponerla a funcionar.
- Se suministra un cordón eléctrico corto con el fin de reducir los riesgos de enredarse o de tropezar con un cordón más largo.
- Hay disponibles cables de extensión más largos, pero se debe tener cuidado al usarlos. Aunque no se recomienda utilizar un cable de extensión, si debe usar uno, asegúrese de que la capacidad eléctrica nominal marcada en el cable de extensión sea igual o mayor a aquella del aparato. Si el enchufe es del tipo conectado a tierra, el cable de extensión deberá ser un cordón eléctrico de 3 hilos con conexión a tierra. Para evitar halar, tropezar o enredarse con el cable de extensión, coloque éste de manera que no cuelgue sobre el borde de la encimera, mesa u otro lugar donde pueda ser halado por niños o tropezarse con el mismo.

- Este aparato tiene un enchufe polarizado (una clavija es más ancha que la otra). Para reducir el riesgo de una descarga eléctrica, este enchufe está diseñado para encajar de una sola manera dentro del tomacorriente polarizado. Invierta el enchufe si éste no encaja completamente en el tomacorriente o el cable de extensión. Si el enchufe todavía no encaja, consulte con un electricista calificado. No trate de modificar el enchufe de manera alguna.
- No use un tomacorriente o cable de extensión en el cual el enchufe calce flojamente, o si el tomacorriente o el cable de extensión se calientan.
- Mientras esté en uso, no retire la tapa. No retire la tapa del aparato hasta tanto no haya oído reventar un grano de maíz durante por lo menos 1 minuto.
- **Sólo para uso doméstico.**

CONSERVE ESTAS INSTRUCCIONES



ANTES DE USAR POR PRIMERA VEZ

Lave la tapa con agua tibia y jabón. Enjuáguela a fondo y séquela. Limpie el exterior de la base de calentamiento con un paño suave humedecido y luego séquela. No es necesario limpiar la parte interna de la cámara de los granos de maíz. **Nota: NO** sumerja la base de calentar en agua o en ningún otro líquido. **NO** coloque la base de calentar en el lavavajillas. Esto dañará permanentemente el producto y anulará la garantía.

CÓMO USAR LA MÁQUINA DE HACER PALOMITAS DE MAÍZ AIR CRAZY™ MINI

Este aparato utiliza aire caliente para reventar el maíz. No coloque nada que no sea granos de maíz para palomitas de maíz dentro de la cámara de preparación de las palomitas.

1. Retire la tapa. Antes de comenzar, asegúrese de que no haya pedazos de palomitas en la malla. Para una sola porción, use una cuchara de medición estándar para medir 2 cucharadas. Para 2 porciones, llene hasta la línea de llenado "MAX", o use una taza de medición estándar para medir ¼ taza de granos de maíz para palomitas de maíz. **NO** intente preparar más de ¼ de taza o menos de 2 cdas. de granos de maíz para palomitas de maíz a la vez.
2. Vierta los granos de maíz para palomitas de maíz en la cámara de preparación. **NO** coloque dentro de la cámara aceite, mantequilla, manteca, sal o ninguna otra cosa que no sea granos de maíz para palomitas de maíz. Coloque la tapa en su posición. **Nunca haga funcionar la máquina de hacer palomitas de maíz Air Crazy™ Mini sin maíz o sin la tapa en su lugar.**
3. Coloque un recipiente grande resistente al calor debajo de la canaleta de las palomitas de maíz para recoger las palomitas en la medida que estas revienten. ¼ taza de granos de maíz para palomitas de maíz produce entre 1 y 2 litros de palomitas. **Nota:** Al preparar las palomitas de maíz, le recomendamos que utilice un recipiente que tenga por lo menos 5.5 pulgadas (14 cm) de profundidad.
4. Con la tapa en su lugar, conecte el cable a un tomacorriente de CA de **SOLO** 120 voltios. El aparato comenzará a funcionar inmediatamente.
5. Los granos de maíz empezarán a reventar, y el ciclo deberá completarse en un lapso de 2½ minutos. Después de que los granos de maíz hayan terminado de reventar, desconecte el aparato del tomacorriente. El ciclo de preparación de palomitas se habrá completado cuando hay un espacio de 3 segundos entre reventones de granos. Deje reposar, con la tapa en su lugar, durante por lo menos un minuto tras completarse el ciclo de preparación. Los granos sin reventar todavía podrían aún estallar inesperadamente en la cámara de preparación o en el recipiente. Tenga cuidado al manipular la máquina de preparar palomitas Air Crazy™ Mini, ya que **estará** caliente después del ciclo de preparación. Siempre utilice almohadillas térmicas o guantes de cocina al manipular el aparato caliente.
6. Si desea preparar un lote adicional de palomitas de maíz, deje que el aparato se enfríe durante 5 a 7 minutos, luego retire todos los granos no reventados y palomitas sueltas en la base de calentamiento invirtiendo la misma. Utilice almohadillas térmicas o guantes de cocina al manipular el aparato caliente. Repita los pasos 1-5 anteriores. Después de 2 lotes, deje que el aparato se enfríe durante 15 minutos antes de usarlo de nuevo.
 - Una pequeña cantidad de humo y/u olor pueden presentarse después del calentamiento debido a la liberación de los aceites de fabricación - esto es normal.
 - Algunos sonidos menores de expansión/contracción pueden ocurrir durante el calentamiento y enfriamiento – esto es normal.

CONSEJOS PRÁCTICOS

- Siempre use granos de maíz para palomitas de maíz fresco. Los granos de maíz para palomitas de maíz seco, rancio, o viejo no revienta bien, ya que ha perdido su contenido de humedad y se puede quemar.
- Almacene los granos de maíz para palomitas de maíz en recipientes herméticos hechos de vidrio o de plástico para evitar la pérdida de humedad en los granos. Asegúrese de almacenar el recipiente en un sitio fresco, pero no lo almacene en el refrigerador. La mayoría de los refrigeradores contienen poca humedad y pueden secar los granos, lo cual resultará en que los granos no revienten bien.
- Aunque recomendamos utilizar maíces palomeros blancos o amarillos normales para preparar palomitas, esta máquina de palomitas también puede utilizar maíces palomeros orgánicos y gourmet. Sin embargo, los maíces palomeros orgánicos o gourmet pudieran no dar resultados tan buenos como los granos de maíz para palomitas de maíz de calidad normal; podrá notar un aumento en el número de granos que no revientan.
- Si los granos de maíz para palomitas de maíz no revienta, por lo general es el resultado de factores ambientales tales como la frescura y el contenido de humedad del granos de maíz para palomitas de maíz, o las variaciones según los tipos de granos de maíz para palomitas de maíz. Granos sin reventar no necesariamente indican un defecto en el aparato.
- Este aparato no está diseñado para utilizarse con semillas, frijoles o cualquier cosa que no sea granos de maíz para palomitas de maíz.
- Le recomendamos que utilice un recipiente hondo para preparar las palomitas de maíz. Utilice un recipiente de por lo menos 5.5 pulgadas (14 cm) de profundidad al preparar palomitas de maíz, y asegúrese de que el recipiente quede a ras con la base de calentamiento para recoger las palomitas. Si se utiliza un recipiente poco profundo, palomitas y granos de maíz calientes pueden rebotar del recipiente y pueden representar un riesgo de quemaduras. No se pare, ni permita que los niños se paren, demasiado cerca del aparato cuando esté en funcionamiento.
- Este aparato hace reventar los granos utilizando aire caliente. No requiere de ningún aceite o grasa para hacer reventar el maíz, y estos nunca deberán utilizarse en el aparato. **NO** utilice granos de maíz para palomitas de maíz para microondas.

LIMPIEZA DE LA MÁQUINA DE HACER PALOMITAS DE MAÍZ AIR CRAZY™ MINI

La Máquina de Hacer Palomitas de Maíz Air Crazy™ Mini puede limpiarse después de cada uso. **Nota:** No sumerja la base de calentar en agua o ningún otro líquido. No utilice estropajos o limpiadores abrasivos sobre ninguna parte del aparato.

1. Desenchufe el aparato del tomacorriente. **Antes de limpiarlo, deje que todo el aparato se enfríe con la tapa en su lugar.**
2. Retire la tapa de la base de calentamiento. Lávela en agua caliente jabonosa. Enjuáguela y séquela a fondo. La tapa puede lavarse en un lavavajillas, pero sólo en la canasta superior.
3. Use un paño suave y húmedo para limpiar el exterior de la base de calentamiento. **NO** limpie con paño la parte interna de la cámara de preparación de palomitas. Cada vez que limpie, revise de que no queden pedazos de palomitas en la malla; asegúrese de que la malla esté limpia antes de cada uso.

Este aparato no contiene piezas reparables por el usuario.

IDEAS Y RECETAS PARA PALOMITAS DE MAÍZ

Las palomitas de maíz son el lienzo en blanco perfecto para crear golosinas. Puede crear confecciones decadentes con chocolate y caramelos o aperitivos sanos, libres de toda culpa que todo el mundo puede disfrutar. Aquí hay algunas ideas para ayudarlo a empezar, pero en realidad, una vez que comience, su imaginación ya podrá hacerse cargo.

Cuando haya terminado de reventar los granos, empiece a recubrir las palomitas con sabores. Encontramos que un rocío ligero de aceite de oliva, (también hay disponibles un gran número de aceites de oliva infundidos), de zumo de limón o de lima, de vinagre balsámico o incluso de agua ayudará a que todos los condimentos adicionales se adhieran al maíz.

Trate de mezclar y combinar cualquiera de estos para preparar un tentempié saludable:

Levadura nutricional (fabuloso sabor a nuez)	Tomillo	Canela
Sal del mar	Copos de apio	Clavos
Ajo en polvo	Perejil	Cebollinos
Cebolla en polvo	Pimientos rojos aplastados	Azúcar
Chile en polvo	Pimienta negra	Eneldo
Comino	Cáscara de limón, naranja o lima	Queso parmesano, provolone o romano envejecido y rallado
Orégano	Cacao en polvo	
Romero	Basilio	
Pimentón dulce		

El chocolate o el malvasisco derretidos son una gran manera de aglutinar y crear capas de ingredientes decadentes sobre las palomitas de maíz, o para crear bolas, barras o paletas de palomitas de maíz. Para un aglutinante más tradicional, hierva 1 taza de azúcar con 1 taza de jarabe de maíz, y a continuación agregue los demás ingredientes, mezcle y dele forma. O mientras esté todavía caliente, ruede las bolas o las paletas en dulces molidos, nueces picadas, coco, chispas.

Trate de mezclar y combinar cualquiera de estos para una golosina decadente:

Barras de dulces picadas	Pastel o brownies desmenuzados	Bebidas en polvo
Chips de chocolate	Nueces	Salsa de queso seco en polvo
Malviscos	Pedazos de caramelo o caramelos de tamaño de un bocado	Mantequilla de maní
Cacahuets salados	Mezcla para preparar chocolate caliente	Cacao en polvo
Tocino	Cereal azucarado	Azúcar en polvo
Queso azul desmenuzado	Chocolate derretido o la corteza de almendra	Galletas saladas
Vinagre balsámico reducido (las frutas infundidas son una delicia)	Coco rallado o tostado	Pedazos de galletas integrales
Mezcla para pasteles		Galletas trituradas

GARANTÍA DEL PRODUCTO

Garantía Limitada de 1 Año del Artefacto Electrodoméstico

Focus Products Group International, LLC ("la Compañía") garantiza que este aparato no presentará fallas de material ni fabricación durante un (1) año a partir de la fecha original de compra con prueba de dicha compra, siempre y cuando el aparato sea operado y mantenido tal como se indica en el Manual de Instrucciones. Toda pieza del aparato que presente fallas será reparada o reemplazada sin costo alguno a criterio de la Compañía. Esta garantía rige solamente para el uso doméstico dentro de la casa.

Esta garantía no cubre ningún daño, incluyendo la decoloración, de superficie antiadherente alguna del aparato electrodoméstico. Esta garantía es nula y sin efecto, a juicio exclusivo de la Compañía, si el aparato ha sido dañado por accidente, mal uso, abuso, negligencia, arañazos, o si el aparato ha sido alterado de alguna manera.

ESTA GARANTÍA REEMPLAZA A TODAS LAS DEMÁS GARANTÍAS IMPLÍCITAS, INCLUYENDO AQUÉLLAS DE COMERCIABILIDAD, IDONEIDAD PARA UN FIN O USO EN PARTICULAR, DESEMPEÑO, U OTROS TIPOS, LAS CUALES QUEDAN EXCLUIDAS MEDIANTE EL PRESENTE DOCUMENTO. BAJO NINGUNA CIRCUNSTANCIA ASUMIRÁ LA COMPAÑÍA RESPONSABILIDAD POR DAÑOS, YA SEAN DIRECTOS, INMEDIATOS, INCIDENTALES, PREVISIBLES, CONSECUENTES O ESPECIALES QUE SURJAN DEL USO DEL APARATO ELECTRODOMÉSTICO O GUARDEN RELACIÓN CON EL MISMO.

Si usted piensa que el aparato se ha dañado o requiere servicio dentro del período de garantía, por favor póngase en contacto con el Departamento de Atención al Cliente al (866) 290-1851, o envíenos un correo electrónico a customercare@focuspg.com. Un recibo que acredite la fecha de compra original será requerido para todos los reclamos; **los recibos escritos a mano no son aceptados**. También se le podrá exigir devolver el aparato para su inspección y evaluación. Los gastos de envío no son reembolsables. La Compañía no se hace responsable de las devoluciones perdidas en tránsito.

Válido sólo en EE.UU. y Canadá

REPUESTOS

Las piezas de repuesto, si están disponibles, se pueden pedir directamente a la Compañía de varias maneras. Ordene en línea en www.westbend.com, al correo electrónico customercare@focuspg.com, o por teléfono llamando al (866) 290-1851, o escribiendo a:

Focus Products Group International, LLC.

Atención: Customer Care Dept.

P. O. Box 53

West Bend, WI 53095

Para hacer un pedido con un cheque o giro postal, sírvase primero ponerse en contacto con el Dept. de Atención al Cliente para solicitar el monto total del pedido. Envíe su pago junto con una carta en la que indique el modelo y número de catálogo del aparato, que se puede encontrar en la parte inferior o posterior del aparato, una descripción de la parte o partes que usted está pidiendo, y la cantidad que desea. Su cheque debe hacerse a nombre de Focus Products Group International, LLC.

Se sumará al total el impuesto de venta estatal/provincial que corresponda, más un cargo por despacho y procesamiento. Estime un lapso de dos semanas para el procesamiento y la entrega.

Este manual contiene información importante y útil sobre el uso seguro y el cuidado de su producto. Para su propia referencia, archive aquí el recibo fechado que sirve de comprobante de compra para la garantía, y anote la siguiente información:

Fecha en que compró o recibió la unidad como regalo: _____

Dónde se efectuó la compra y el precio, si lo sabe: _____

Número y código de fecha del producto (aparece en la parte inferior/posterior de la unidad): _____