

West Bend®

4 QT. ICE CREAM MAKER

Instruction Manual



Register this and other Focus Electrics products through our website:
www.registerfocus.com

Important Safeguards.....	2
Before Using for the First Time	3
Using Your 4 Qt. Ice Cream Maker	3
Helpful Hints.....	5
Cleaning Your 4 Qt. Ice Cream Maker	6
Recipes	6
Warranty.....	9

SAVE THIS INSTRUCTION MANUAL FOR FUTURE REFERENCE

IMPORTANT SAFEGUARDS



CAUTION

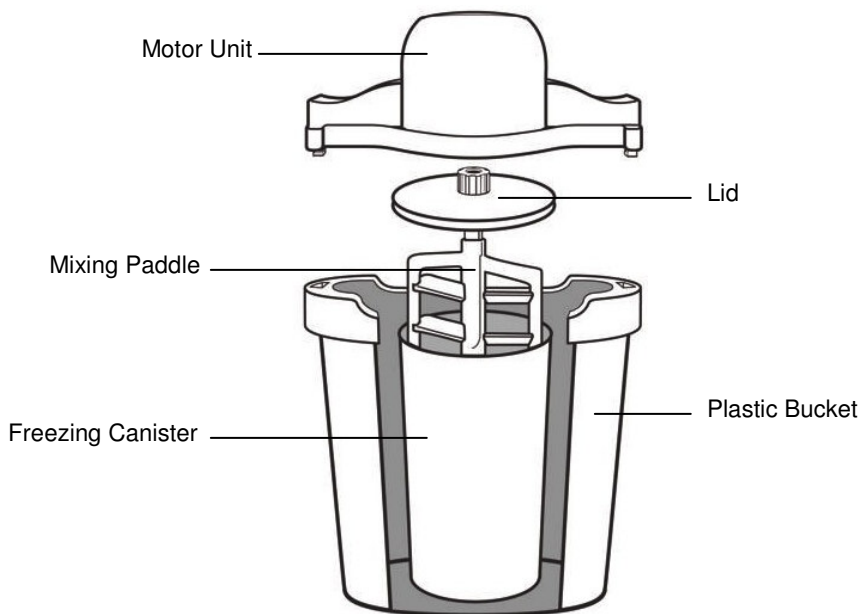
To prevent personal injury or property damage, read and follow all instructions and warnings.

When using electrical appliances, basic safety precautions should always be followed including:

- Read all instructions, including these important safeguards and the care and use instructions in this manual.
- Always unplug from outlet when not in use and before cleaning. Allow to cool before putting on or taking off parts and before cleaning.
- Close supervision is necessary when this appliance is used by or near children.
- Do not operate any appliance with a damaged cord or plug, after the appliance malfunctions, or has been damaged in any manner. For service information see warranty page.
- The use of accessory attachments not recommended by Focus Electrics may cause fire, electric shock, or injury.
- Do not use this appliance outdoors.
- Do not let cord hang over the edge of the table or counter, or touch hot surfaces.
- Do not place on or near a hot gas or electric burner, or in a heated oven.
- To disconnect, turn control to "OFF," then remove plug from wall outlet.
- Do not use appliance for other than intended use.
- To protect against electric shock, do not immerse cord, plugs, or other electric parts in water or other liquids.
- Do not attempt to repair this appliance yourself.
- A short power-supply cord is provided to reduce risks resulting from becoming entangled in or tripping over a longer cord.
- Longer extension cords are available, but care must be exercised in their use. While use of an extension cord is not recommended, if you must use one, ensure that the marked electrical rating of the extension cord is equal to or greater than that of the appliance. If the plug is of the grounded type, the extension cord must be a grounding-type 3-wire cord. To avoid pulling, tripping or entanglement, position the extension cord so that it does not hang over the edge of the counter, table or other area where it can be pulled on by children or tripped over.
- This appliance has a polarized plug (one blade is wider than the other). To reduce the risk of electric shock, this plug is intended to fit into a polarized outlet only one way. If the plug does not fit fully into the outlet, reverse the plug. If it still does not fit, contact a qualified electrician. Do not attempt to modify the plug in any way.
- Do not use an outlet or extension cord if the plug fits loosely or if the outlet or extension cord feels hot.

- Avoid contact with moving parts.
- **For household use only.**

SAVE THESE INSTRUCTIONS



BEFORE USING FOR THE FIRST TIME

Please check all packaging material carefully before discarding. Accessory parts may be contained within the packaging material.

See "Cleaning your 4 Qt. Ice Cream Maker" section of this manual.

Do NOT immerse the motor unit or cord in water or any other liquid.

USING YOUR 4 QT. ICE CREAM MAKER

1. Place the freezing canister, lid, and mixing paddle into the freezer for at least an hour before making ice cream. **Note:** Do not freeze the freezing canister when it is wet; always dry it thoroughly before freezing.
2. Prepare ingredients as directed in the recipe. For best results, prepare the ice cream mixture the day before and chill overnight.
3. Pour the chilled ice cream mixture into the chilled freezing canister. Do not fill the freezing canister above the "MAX" line, as the ice cream mixture will expand during the freezing process.
4. Insert the rounded end of the mixing paddle into the center indentation of the freezing canister.

5. Place the lid on the freezing canister, inserting the mixing paddle post through the center of the lid.
6. Place the freezing canister in the bucket, aligned with the centering hub in the bottom of the bucket.
7. Align the mixing paddle post in the hole in the center of the motor unit. You may need to rotate the freezing canister so the mixing paddle post fits into the motor. Insert the tabs on the bottom of the motor unit into the holes on the sides of the bucket. Twist counter-clockwise to lock the motor unit into place.
8. Plug the cord into a 120 volt, AC outlet **ONLY**.
9. Evenly distribute about 2 cups of **crushed** ice around the base of the freezing canister. The ice should be small or coarsely crushed pieces, not cubes. Break any large clumps apart. For each batch of ice cream, expect to use 1-2 small bags of ice, about 4-8 pounds per batch.
10. Cover the first layer of ice evenly with about ¼ cup of rock salt.
11. Repeat steps 9 and 10, layering ice and salt until it reaches ½ inch below the hole on the front of the bucket; do not over fill.
12. When the ice melts down, add more layers of ice and rock salt.
13. It will take approximately 50-60 minutes for the ice cream to be made. If the motor stops before 30 minutes has elapsed, unplug the appliance and check for one of the following issues.
 - If the canister stops prematurely, check for ice blocking the canister from turning. If ice has caused the blockage, keep the appliance unplugged and remove the blockage with a spatula.
 - If the canister gets stuck, check the consistency of the ice cream around the edge. If it is frozen, use a spatula to loosen it.
 - Hard ingredients, such as chocolate chips and nuts, can cause the the canister to get stuck. Add these when ice cream is finished.
 - If the mixing process is stopped prematurely by the user, the ice cream will harden and restrict the movement of the mixing paddle.
14. The freezing process is generally complete after about 50-60 minutes. Unplug the appliance from the outlet. **Do not let the ice cream maker run for longer than 60 minutes.** If your ice cream maker stops after 30 minutes, but before 50 minutes have elapsed, check to see if your ice cream is done. If it's not done, unstick the mixing paddle and continue. Or, place ice cream in an airtight bowl and place in the freezer for about an hour.
15. Unplug the motor unit and twist it clockwise to unlatch, place a hand on the freezing canister, and remove the motor unit. If the freezing canister is not held down, it may tip and salt water may seep into the ice cream.
16. Remove the freezing canister from the water and wipe it with a towel to remove the salt and water.
17. Remove the lid, then the mixing paddle, scrape the excess ice cream off of the mixing paddle with a spatula.
18. Serve ice cream immediately or transfer the ice cream to an air tight, freezer-safe container and freeze. **Note:** Because homemade ice cream does not contain the preservatives that store bought ice cream has, homemade ice cream will not last for more than a week.
 - A small amount of smoke and/or odor may occur upon use due to the release of manufacturing oils – this is normal.
 - Some minor expansion/contraction sounds may occur during use – this is normal.

HELPFUL HINTS

- Homemade ice cream recipes use only fresh ingredients; therefore, they do not have the same consistency as store-bought ice creams which use gums and preservatives to make them firmer. If you prefer a firmer consistency, place the frozen ice cream in an airtight container and store it in the freezer for one or more hours until the desired consistency is achieved. ***Homemade ice cream generally has the consistency of a thick milkshake.***
- For recipes that require pre-cooking, prepare the ice cream base mixture a day ahead and store overnight in the refrigerator. This will allow it to completely cool and increases the volume of ice cream produced.
- Ice cream base mixtures may be stored in the refrigerator up to 3 days prior to making ice cream. Be sure to mix well before adding the mixture to the freezing canister.
- The most common ingredients in ice cream are cream, sugar, eggs, and milk. For the richest flavor and creamiest texture, use a cream containing the highest percentage of fat. Heavy cream has the highest fat content (approximately 36%), Whipping Cream (30%), Coffee/Light Cream (18%), and Half & Half (10%). Substitutions of milk products (both cream and milk) may be used to reduce the fat content. However, this may change the taste, consistency, and texture of the ice cream. When substituting ingredients, be sure the total liquid measurement remains the same as the original recipe.
- Homemade ice cream will taste less sweet than the ice cream base mixture. If your ice cream is not sweet enough, you can adjust the amount of sugar used, keeping in mind that the sweetness will be lessened during the freezing process.
- Artificial sweeteners may be used to replace sugar in a recipe. Add only to a cooled ice cream base mixture as heat affects the sweetness.
- For recipes containing alcohol, manually add the alcohol after the completion of the freezing cycle. Alcohol can adversely affect the freezing process if added too early. Do not attempt to restart the motor to mix after adding alcohol.
- The ice cream base mixture must be liquid before freezing. Do not use stiff or frozen ingredients such as whipped cream or frozen liquids or juices.
- Ice cream should be stored in airtight containers in the freezer. Do NOT store in the freezing canister.
- If you would like to make your ice cream harden more, when churning is finished, remove the mixing paddle and place the lid on the canister. Place in the freezer for about half an hour to harden. Do not leave the canister in the freezer for longer than half an hour.
 - Or, leave the canister in the plastic bucket, remove the mixing paddle. Add more ice to the ice/salt mixture. Cover with a towel and let it sit until the ice cream is firm.
- Possible reasons for the ice cream mixture not freezing properly:
 - The mixture was too warm. Ingredients, freezing canister, lid, and paddle should be chilled prior to mixing and should be kept refrigerated until ready to freeze in the ice cream maker.
 - The proportion of ingredients was incorrect. Check your recipe carefully and if substitutions were made, be sure the total liquid ingredients are equal to the original recipe.

- Using too little rock salt inhibits the freezing process. Using too much rock salt can cause the mixture to freeze too quickly causing ice crystals to form in the ice cream.
- Do not stop the churning process before 30 minutes have elapsed. This can cause ice crystals to form and will cause a grainy texture.

CLEANING YOUR 4 QT. ICE CREAM MAKER

1. Unplug the ice cream maker before cleaning.
2. Wipe the electric motor with a slightly damp cloth. Do NOT immerse the motor unit in water or any other liquid.
3. Clean the plastic bucket thoroughly with a soapy sponge to remove salt-water residue. Rinse thoroughly and dry.
4. Wash the freezing canister, lid, and mixing paddle with hot, soapy water. Rinse and dry thoroughly. Do not replace the lid until the freezing canister is completely dry.
5. Do not use any harsh or abrasive cleansers on any part of the ice cream maker. **Do not** put any part of the ice cream maker in the dishwasher.

RECIPES

Quick and Easy Chocolate Ice Cream

- | | |
|-----------------------------|-------------------|
| 1 cup Cocoa Powder | 6 cups Whole Milk |
| 3 large cans Condensed Milk | |

In a large mixing bowl, combine milk and condensed milk. In a separate dish, mix enough hot water with the cocoa powder to create a consistency like melted chocolate. Once the cocoa powder is a liquid, stir it into the milk mixture until completely blended. Pour mixture into the freezing canister and follow the directions in the "Using Your 4 Qt. Ice Cream Maker" section. Do not fill the freezing canister above the "MAX" line, as the mixture will expand during freezing.

Vanilla Ice Cream

- | | |
|-------------------------|-----------------------|
| 2 cups Granulated Sugar | 5 Eggs, beaten |
| 1½ tbsp Corn Starch | 1½ tbsp Vanilla |
| ¼ tsp Salt | 2¾ cups Heavy Cream |
| 7 cups Milk | 1½ cups Half and Half |

Mix the sugar, corn starch, and salt in a large saucepan. Over medium heat, slowly stir in the milk, stirring constantly. Very slowly add the beaten eggs and continue to stir. Reduce heat to low and cook until mixture thickens slightly. Slowly add vanilla, half and half, and heavy cream. Pour into a large glass bowl and refrigerate for 2-4 hours or until mixture has chilled. Remove from refrigerator. Pour mixture into the freezing canister and follow the directions in the "Using Your 4 Qt. Ice Cream Maker" section. Do not fill the freezing canister above the "MAX" line, as the mixture will expand during freezing.

Coffee Ice Cream

- | | |
|------------------------|--------------------------------|
| 4 ½ cups Half and Half | 4 ½ tbsp Instant Coffee Powder |
| 6 cups Cream | 2 ¼ cup Sugar |

Combine all ingredients in a mixing bowl. Stir well until both sugar and instant coffee powder are dissolved. Pour mixture into the freezing canister and follow the directions in the "Using Your 4 Qt. Ice Cream Maker" section. Do not fill the freezing canister above the "MAX" line, as the mixture will expand during freezing.

Cookie Dough Ice Cream

- | | |
|---|----------------------------|
| 1 cup Chocolate Chip Cookie Dough
(crumbled into small pieces) | 1 cup Mini Chocolate Chips |
| 2 ¼ cups Sugar | 6 large Eggs |
| 6 cups Heavy Cream | 3 cups Milk |

Place the cookie dough and the chocolate chips in a separate bowl. Cover and chill until cold. Whisk the eggs in a mixing bowl 1-2 minutes until light and fluffy. Slowly mix in sugar, whisking until completely blended. Slowly add cream and milk and whisk until blended. Pour mixture into the freezing canister and follow the directions in the “Using Your 4 Qt. Ice Cream Maker” section. Do not fill the freezing canister above the “MAX” line, as the mixture will expand during freezing. When the mixture has finished churning, add cookie dough and chocolate chips and stir in evenly.

Rocky Road Ice Cream

- | | |
|--------------------------------|--------------------------|
| 1 ¾ cup Granulated Sugar | 6 cups Whipping Cream |
| ½ tsp Salt | 1 tbsp Vanilla Extract |
| 2 cups Milk | 2 cups Mini Marshmallows |
| 6 squares Semi-sweet Chocolate | 1 ½ cups Chocolate Chips |
| 2 cups Half and Half | 1 cup Chopped Pecans |

Mix the milk and chocolate in a large saucepan. Over medium heat stir until the chocolate is completely melted. Remove from heat and slowly add sugar and salt, mixing well, until dissolved. Stir in the remaining ingredients except the marshmallows, pecans, and chocolate chips, and then cover and refrigerate for about 30 minutes or until mixture has chilled. Pour mixture into the freezing canister and follow the directions in the “Using Your 4 Qt. Ice Cream Maker” section. Do not fill the freezing canister above the “MAX” line, as the mixture will expand during freezing. Add marshmallows, pecans, and chocolate chips after the ice cream has finished churning and stir in evenly.

Sweet Corn Ice Cream

- | | |
|--|------------------------|
| 2 cups Heavy Cream | 1 tsp. Vanilla Extract |
| 3 cups Milk | 12 Egg Yolks |
| 4 ears Sweet Corn, shucked, save
kernels, cut cobs into 1-inch pieces | ⅔ cup plus ½ cup Sugar |

In a small saucepan over medium heat, combine the cream, milk, and corn cobs. Bring to a simmer. Stir to dissolve sugar. Simmer for 10 minutes. Remove corn cobs with a slotted spoon.

Whisk the egg yolks and ⅔ cup sugar together in a bowl. Slowly whisk in the hot cream mixture. Whisk until smooth. Return the mixture to the saucepan and stir over low heat for 1 minute, until it coats the back of a spoon. Strain the custard through a fine sieve. Stir in the vanilla extract.

In a small saucepan, bring 1 cup water, ½ cup sugar and the corn kernels to a simmer, cooking until kernels are soft, about 10 minutes. Remove from heat and add the corn mixture to the custard. Allow it to cool overnight in a bowl with a piece of plastic wrap against the top to prevent a skin from forming. Pour mixture into the freezing canister and follow the directions in the “Using Your 4 Qt. Ice Cream Maker” section. Do not fill the freezing canister above the “MAX” line, as the mixture will expand during freezing.

Strawberry Frozen Yogurt

- 4 cups Plain Yogurt
- 1 cups Heavy Whipping Cream
- $\frac{3}{4}$ cup Sugar
- 1 $\frac{1}{2}$ cups Strawberries in syrup, thawed

Mix all ingredients in a large mixing bowl. Chill the mixture, covered, in the refrigerator for an hour before freezing.

Pour mixture into the freezing canister and follow the directions in the “Using Your 4 Qt. Ice Cream Maker” section. Do not fill the freezing canister above the “MAX” line, as the mixture will expand during freezing.

Chocolate Hazelnut Gelato

- 4 cups Whole Milk
- 2 cup Heavy Cream
- 1 cup plus $\frac{1}{2}$ cup Sugar
- 8 Egg Yolks
- 1 tsp. Vanilla Extract
- 1 cup Chocolate-Hazelnut Spread
- 1 cup Hazelnuts, crushed, optional

In a saucepan combine the milk, cream, and 1 cup sugar over medium heat. Cook until the sugar dissolves, about 5 minutes.

Meanwhile, in a medium bowl whip the egg yolks with the remaining sugar using an electric mixer until the eggs have become thick and pale yellow, about 4 minutes. Pour $\frac{1}{2}$ cup of the warm milk and cream mixture into the egg mixture and stir. Add this mixture back into the saucepan. Cook over very low heat, stirring constantly, until the mixture becomes thick enough to coat the back of a wooden spoon, about 7 to 10 minutes.

Place a strainer over a medium bowl and pour the warm custard mixture through the strainer. Stir in the vanilla and hazelnut spread until it dissolves. Pour mixture into the freezing canister and follow the directions in the “Using Your 4 Qt. Ice Cream Maker” section. Do not fill the freezing canister above the “MAX” line, as the mixture will expand during freezing. To serve, scoop gelato into serving bowls and top with hazelnuts.

PRODUCT WARRANTY

Appliance 1 Year Limited Warranty

Focus Electrics, LLC ("Focus Electrics") warrants this appliance from failures in the material and workmanship for one (1) year from the date of original purchase with proof of purchase, provided the appliance is operated and maintained in conformity with the provided Instruction Manual. Any failed part of the appliance will be repaired or replaced without charge at Focus Electrics' discretion. This warranty applies to indoor household use only.

This warranty does not cover any damage, including discoloration, to any non-stick surface of the appliance. This warranty is null and void, as determined solely by Focus Electrics if the appliance is damaged through accident, misuse, abuse, negligence, scratching, or if the appliance is altered in any way.

THIS WARRANTY IS IN LIEU OF ALL IMPLIED WARRANTIES, INCLUDING WARRANTIES OF MERCHANTABILITY, FITNESS FOR A PARTICULAR PURPOSE, PERFORMANCE, OR OTHERWISE, WHICH ARE HEREBY EXCLUDED. IN NO EVENT SHALL FOCUS ELECTRICS BE LIABLE FOR ANY DAMAGES, WHETHER DIRECT, INDIRECT, INCIDENTAL, FORSEEABLE, CONSEQUENTIAL, OR SPECIAL, ARISING OUT OF OR IN CONNECTION WITH THIS APPLIANCE.

If you think the appliance has failed or requires service within its warranty period, please contact the Focus Electrics Customer Service Department at (866) 290-1851, or e-mail us at service@focuselectrics.com. A receipt proving the original purchase date will be required for all warranty claims, **hand written receipts are not accepted**. You may also be required to return the appliance for inspection and evaluation. Return shipping costs are not refundable. Focus Electrics is not responsible for returns lost in transit.

Valid only in USA and Canada

REPLACEMENT PARTS

Replacement parts, if available, may be ordered directly from Focus Electrics, LLC several ways. Order online at www.focuselectrics.com, e-mail service@focuselectrics.com, over the phone by calling (866)290-1851, or by writing to:

Focus Electrics, LLC
Attn: Customer Service
P. O. Box 2780
West Bend, WI 53095

To order with a check or money order, please first contact Customer Service for an order total. Mail your payment along with a letter stating the model or catalog number of your appliance, which can be found on the bottom or back of the unit, a description of the part or parts you are ordering, and the quantity you would like. Your check should be made payable to Focus Electrics, LLC.

Your state/province's sales tax and a shipping fee will be added to your total charge. Please allow two weeks for processing and delivery.

This manual contains important and helpful information regarding the safe use and care of your new Focus Electrics product. For future reference, attach dated sales receipt for warranty proof of purchase and record the following information:

Date purchased or received as gift: _____

Where purchased and price, if known: _____

Item number and Date Code (shown bottom/back of product): _____

NOTES

West Bend®

MACHINE À GLACE 4 QT. (3.8 LT.)

Mode d'emploi



Enregistrez ce produit et les autres produits Focus Electrics sur notre site Internet :
www.registerfocus.com

Précautions Importantes	2
Avant la Première Utilisation	3
Utilisation de votre Machine à Glace 4 Qt. (3.8 Lt.)	4
Astuces	5
Nettoyage de votre Machine à Glace 4 Qt. (3.8 Lt.)	6
Recettes	7
Garantie	10

CONSERVEZ CE MANUEL D'INSTRUCTIONS POUR RÉFÉRENCE FUTURE

PRECAUTIONS IMPORTANTES



MISE EN GARDE

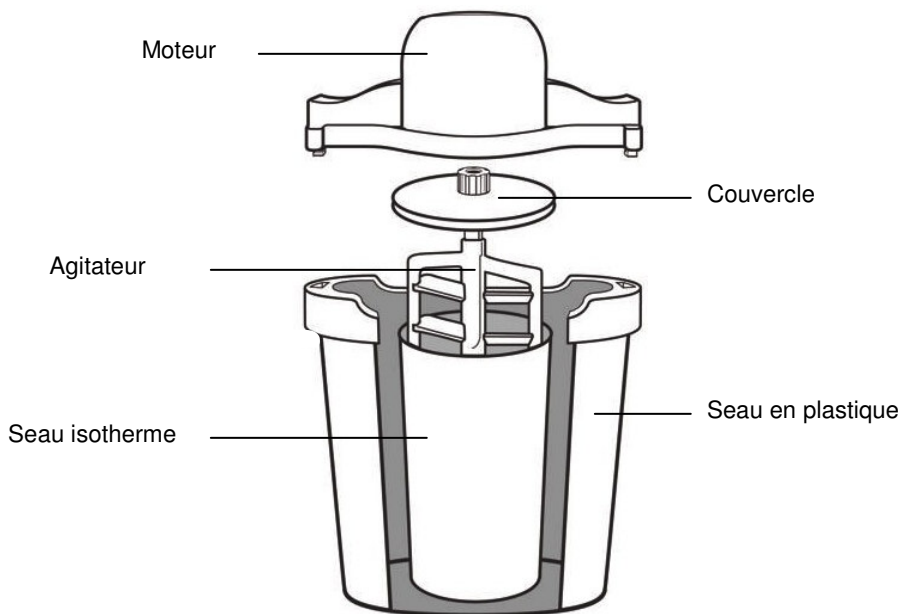
Pour empêcher toute blessure physique ou tout dommage matériel, lisez et suivez toutes les consignes et mises en garde.

Lorsque vous utilisez des appareils électriques, les précautions de sécurité élémentaires devraient toujours être respectées, notamment :

- Lisez toutes les instructions, notamment les présentes précautions importantes, ainsi que les consignes pour l'entretien de ce manuel.
- Débranchez toujours l'appareil du secteur lorsque vous ne l'utilisez pas et avant de le nettoyer. Laissez refroidir avant de mettre en place ou de retirer des pièces ainsi qu'avant de procéder au nettoyage.
- Une surveillance rapprochée est nécessaire en cas d'utilisation d'un appareil par des enfants ou en présence d'enfants.
- N'utilisez aucun appareil dont le cordon ou la fiche sont endommagés, si l'appareil a dysfonctionné ou s'il a été détérioré de quelque manière que ce soit. Pour des renseignements sur les réparations, voir la page de garantie.
- L'utilisation des accessoires non recommandés par Focus Electrics risque de provoquer le feu, la décharge électrique ou la blessure.
- N'utilisez pas cet appareil à l'extérieur.
- Ne laissez pas le cordon pendre depuis l'extrémité de la table ou du plan de travail, ou ne le laissez pas entrer en contact avec une surface à haute température.
- Ne placez pas l'appareil sur ou à proximité d'une gazinière chaude ou d'un brûleur électrique, ou dans un four chaud.
- Pour débrancher l'appareil, tournez toute commande sur « OFF » puis retirez la fiche de la prise murale.
- N'utilisez pas l'appareil pour un usage autre que celui pour lequel il a été conçu.
- Pour vous protéger contre tout choc électrique, n'immergez pas le cordon, les fiches ni aucune autre pièce électrique dans l'eau ni dans tout autre liquide.
- Ne tentez pas de réparer cet appareil vous-même.
- Le cordon d'alimentation fourni est court pour réduire les risques qu'une personne se prenne les pieds ou trébuche sur un cordon plus long.
- Des cordons de rallonge plus longs sont disponibles, mais vous devez faire preuve de prudence lors de leur utilisation. Bien que l'utilisation d'un cordon de rallonge ne soit pas recommandée, si vous devez en utiliser un, assurez-vous que la puissance nominale indiquée pour le cordon de rallonge est égale ou supérieure à celle de l'appareil. Si la fiche est raccordée à la terre, le cordon de rallonge doit lui aussi proposer un raccordement à la terre. Pour éviter de tirer sur le cordon, de trébucher ou de s'emmêler dedans, positionnez le cordon de rallonge de sorte qu'il ne pende pas depuis l'extrémité du plan de travail, de la table ou de toute zone où des enfants pourraient tirer dessus ou trébucher.

- Cet appareil est pourvu d'une fiche polarisée (une lame est plus large que l'autre). Afin de réduire le risque de choc électrique, cette fiche est conçue pour être branchée sur une prise secteur polarisée uniquement dans un sens. Si la fiche ne s'adapte pas complètement dans la prise secteur, retournez la fiche. Si elle ne s'adapte toujours pas, contactez un électricien qualifié. Ne tentez pas de modifier la fiche de quelque manière que ce soit.
- N'utilisez pas une prise secteur ou un cordon de rallonge si la fiche s'adapte avec un jeu ou si la prise secteur ou le cordon de rallonge vous semblent chauds.
- Évitez tout contact avec les pièces en mouvement.
- **Pour une utilisation domestique uniquement.**

CONSERVEZ CES CONSIGNES



AVANT LA PREMIÈRE UTILISATION

Veillez vérifier la totalité de l'emballage avec attention avant de le jeter. Il est possible que celui-ci contienne des accessoires.

Voir la section « Nettoyage de votre Machine à Glace 4 Qt. (3.8 Lt.) » de ce manuel. Veuillez ne **PAS** plonger l'unité du moteur ou le cordon dans de l'eau ni dans tout autre liquide.

UTILISATION DE VOTRE MACHINE À GLACE 4 QT. (3.8 LT.)

1. Mettez le seau isotherme, le couvercle et l'agitateur au congélateur au moins une heure avant de faire la crème glacée. **Remarque:** Ne gelez pas le seau isotherme s'il est mouillé: il faut toujours le sécher complètement avant de le geler.
2. Préparez les ingrédients en suivant les instructions de la recette. Pour de meilleurs résultats, préparez le mélange pour la crème gelée le jour avant et refroidissez-le pendant la nuit.
3. Versez le mélange de crème glacée dans le seau isotherme refroidi. Ne remplissez pas le seau isotherme au-dessus de la marque « MAX » car la crème glacée augmente en volume pendant la congélation.
4. Insérez la partie arrondie de l'agitateur dans le renforcement au centre du seau isotherme.
5. Placez le couvercle sur le seau isotherme et faites passer la colonne centrale de l'agitateur par le centre du couvercle.
6. Placez le seau isotherme dans le seau en l'alignant avec le support de centrage au fond du seau.
7. Alignez la colonne centrale de l'agitateur dans le trou au centre du bloc moteur. Il peut être nécessaire de faire tourner le seau isotherme pour bien faire rentrer la colonne de l'agitateur dans le moteur. Insérez les languettes situées à la base du moteur dans les trous situés sur les côtés du seau. Tournez la lame dans le sens contraire des aiguilles d'une montre pour verrouiller le moteur en place.
8. Branchez le cordon dans une prise secteur de 120 volts c.a. **UNIQUEMENT.**
9. Répartissez environ un demi litre (2 tasses) de glace **pilée** autour de la base du seau isotherme. Il faut des petits morceaux de glace broyée et non pas des glaçons entiers. Séparez les morceaux de glace agglomérés. Pour chaque préparation de crème glacée, il faut prévoir 1 à 2 sacs de glaçons, soit environ 2 à 4 kilos.
10. Recouvrez la première couche de glace d'environ 6 cl (¼ de tasse) de sel gemme.
11. Recommencez les étapes 9 et 10, en déposant des couches de glace et de sel pour arriver à 1.3 cm (½ po) en dessous du trou situé à l'avant du seau en plastique : ne le remplissez pas trop.
12. Au fur et à mesure que la glace fond, ajoutez de nouvelles couches de glace et de sel gemme.
13. Il faut compter 50 à 60 minutes pour faire la crème glacée. Si le moteur s'arrête avant 30 minutes de fonctionnement, débranchez l'appareil et vérifiez les conditions suivantes :
 - Si le seau isotherme ou l'agitateur s'arrête trop tôt, vérifiez qu'aucun glaçon n'en bloque le mouvement. Si de la glace bloque le mouvement, vérifiez que l'appareil est bien débranché et retirez la glace qui bloque avec une spatule.
 - Si l'agitateur se bloque, vérifiez la consistance de la crème glacée sur les bords du seau isotherme. Si la crème est trop gelée, utilisez une spatule pour déplacer la partie trop gelée.
 - Des ingrédients durs, tels que des morceaux de chocolat ou des noix peuvent aussi bloquer l'agitateur. Attendez que la crème glacée soit prête avant d'ajouter ce genre d'ingrédients.
 - Si l'utilisateur arrête trop tôt le malaxage, la crème glacée risque de durcir et va par conséquent bloquer l'agitateur.

14. Le processus de gel dure en général 50 à 60 minutes. Débranchez l'appareil de la prise. **Ne faites pas fonctionner la sorbetière pendant plus de 60 minutes.** Si votre sorbetière s'arrête au bout de 30 minutes au lieu de continuer jusqu'à 50 minutes, vérifiez la crème glacée qui pourrait être prête. Si la crème glacée n'est pas prête, débloquez l'agitateur et continuez le processus. Ou bien mettez la crème glacée dans un récipient hermétique que vous laisserez au congélateur pendant une heure.
15. Débranchez le moteur et tournez-le dans le sens contraire des aiguilles d'une montre pour le déverrouiller, placez une main sur le seau isotherme et retirez le moteur. Si vous ne maintenez pas en place le seau isotherme, il pourrait se renverser et de l'eau salée risquerait de gâcher la crème glacée.
16. Retirez le seau isotherme de l'eau et essuyez-le avec une serviette pour enlever le sel et l'eau.
17. Retirez le couvercle et ensuite l'agitateur puis, avec une spatule, raclez toute crème glacée restée collée à l'agitateur.
18. Servez immédiatement la crème glacée ou mettez-la dans un récipient hermétique destiné au froid pour la garder au congélateur. **Remarque :** La crème glacée faite à la maison ne contient pas les agents de conservation que l'on trouve dans les produits du commerce, par conséquent votre crème glacée artisanale ne doit pas se conserver plus d'une semaine.
 - Il est possible qu'une petite quantité de fumée et/ou d'odeur soit émise lors de l'utilisation en raison de la diffusion des huiles de fabrication – c'est tout à fait normal.
 - De petits bruits d'expansion/contraction peuvent être émis pendant l'utilisation – c'est tout à fait normal.

ASTUCES

- Les recettes de glaces maison utilisent uniquement des ingrédients frais ; par conséquent, elles n'ont pas la même consistance que les glaces achetées dans le commerce qui utilisent de la gomme et des conservateurs pour plus de fermeté. Si vous préférez une texture plus ferme, placez la crème glacée congelée dans un récipient hermétique et conservez-la au congélateur pendant une heure ou plus jusqu'à ce que vous obteniez la texture souhaitée. **La glace maison a généralement la texture d'un milkshake épais.**
- Pour les recettes qui nécessitent une pré-cuisson, préparez le mélange de base de la crème glacée un jour à l'avance et conservez-le une nuit au réfrigérateur. Ceci va lui permettre de refroidir complètement et cela augmentera le volume de la crème glacée produite.
- Les mélanges de base de crème glacée peuvent être conservés au réfrigérateur jusqu'à 3 jours avant la préparation de la crème glacée. Assurez-vous de bien mélanger avant d'ajouter le mélange dans le récipient de congélation.
- Les ingrédients les plus fréquents dans une crème glacée sont la crème, le sucre, les œufs et le lait. Pour la saveur la plus riche et la texture la plus crémeuse, utilisez une crème contenant le pourcentage le plus élevé de matière grasse. La crème épaisse est celle qui a la teneur en matière grasse la plus élevée (environ 36%), la Crème fouettée (30%), la Crème au café/légère (18%), et Half & Half (10%). Vous pouvez utiliser des produits se substituant au lait (à la fois pour la crème et pour le lait) pour réduire la teneur en matière grasse. Toutefois, ceci peut modifier la saveur et la texture de la crème glacée. Lorsque vous substituez des ingrédients, assurez-vous que les mesures totales de liquide demeurent les mêmes que dans la recette d'origine.
- La crème glacée maison a souvent un goût moins sucré que le mélange de base de la crème glacée. Si votre crème glacée n'est pas suffisamment sucrée,

vous pouvez ajuster la quantité de sucre utilisée, en gardant à l'esprit que la saveur sucrée sera atténuée pendant le processus de congélation.

- Vous pouvez utiliser des édulcorants artificiels pour remplacer le sucre dans une recette. Ajoutez-les seulement à un mélange de base pour crème glacée refroidi car la chaleur affecte la saveur sucrée.
- Pour les recettes contenant de l'alcool, ajoutez manuellement l'alcool après la fin du cycle de congélation. L'alcool peut avoir un effet négatif sur le processus de congélation s'il est ajouté trop tôt. Ne tentez pas de redémarrer le moteur pour mélanger une fois que vous avez ajouté de l'alcool
- Le mélange de crème glacée doit être liquide avant la congélation. N'utilisez pas d'ingrédients rigides ou congelés comme de la crème fouettée ou des liquides ou jus de fruits congelés.
- La crème glacée devrait être conservée au congélateur dans des récipients hermétiques. Ne la stockez PAS dans le récipient de congélation.
- Si vous souhaitez une crème glacée plus ferme, une fois le malaxage terminé, retirez l'agitateur et mettez le couvercle sur le seau isotherme. Mettez l'ensemble au congélateur pendant environ une demie heure pour raffermir. Ne laissez pas le seau isotherme au congélateur pendant plus d'une demie heure.
 - Vous pouvez aussi laisser le seau isotherme dans le seau en plastique : retirez l'agitateur et refermez. Rajoutez de la glace au mélange de glace et de sel. Recouvrez le tout d'une serviette et laissez la crème glacée se raffermir.
- Le mélange peut ne pas geler correctement pour les raisons suivantes :
 - Le mélange est trop chaud. Il faut refroidir le seau isotherme, le couvercle, l'agitateur et les ingrédients avant de mélanger et garder le tout au réfrigérateur jusqu'au moment de faire la crème glacée dans la sorbetière.
 - Les proportions des ingrédients sont incorrectes. Vérifiez soigneusement la recette et, en cas de substitutions, gardez toujours la même quantité totale d'ingrédients liquides que celle indiquée dans la recette.
 - Le fait d'utiliser trop peu de sel gemme inhibe le processus de congélation. Le fait d'en utiliser trop peut provoquer la congélation trop rapide du mélange avec une formation de cristaux de glace dans la crème glacée.
 - N'arrêtez pas pendant le processus de formation de la crème glacée. Ceci risque de provoquer la formation de cristaux de glace et donnera une texture granuleuse.

NETTOYAGE DE VOTRE MACHINE À GLACE 4 QT. (3.8 LT.)

1. Débranchez la machine à glace avant de la nettoyer.
2. Essuyez le moteur électrique à l'aide d'un chiffon doux légèrement humidifié. Veuillez ne PAS plonger l'unité du moteur dans de l'eau ou dans tout autre liquide.
3. Nettoyez complètement le seau en plastique à l'aide d'une éponge savonneuse pour retirer toute trace d'eau salée. Rincez bien et séchez.
4. Lavez le seau isotherme, le couvercle et l'agitateur à l'eau chaude savonneuse. Rincez et séchez complètement. Laissez complètement sécher le seau isotherme avant de remettre son couvercle.
5. N'utilisez aucun détergent puissant ou abrasif sur aucune des parties de la machine à glace. Veuillez **ne** placer **aucune** des pièces de la machine à glace au lave-vaisselle.

RECETTES

Crème Glacée au Chocolat Rapide et Facile

- 1 tasse de Poudre de Cacao
- 6 tasses de Lait Entier
- 3 grandes boîtes de Lait Condensé

Dans un grand saladier de mélange, incorporez le lait et le lait condensé. Dans un plat séparé, mélangez suffisamment d'eau chaude avec la poudre de cacao pour créer une consistance ressemblant à du chocolat fondu. Une fois que la poudre de cacao est liquide, ajoutez-la au mélange de lait en mélangeant jusqu'à ce que la préparation soit homogène. Versez la totalité du contenu du saladier dans le récipient de congélation puis suivez les instructions de la section « Utilisation de votre Machine à Glace 4 Qt. (3.8 Lt.) ». Ne remplissez pas le récipient de congélation au-dessus de la ligne « MAX » car le mélange va se dilater pendant la congélation.

Crème Glacée à la Vanille

- 2 tasses de Sucre en Poudre
- 5 Œufs, Battus
- 1½ cuiller à soupe D'amidon de Maïs
- 1½ cuillers à soupe de Vanille
- ¼ cuiller à café de Sel
- 2¾ tasses de Crème Épaisse
- 7 tasses de Lait
- 1½ tasses de Half and Half

Mélangez le sucre, l'amidon de maïs et le sel dans une grande casserole. Sur chaleur moyenne, mélangez lentement le lait en l'ajoutant, et mélangez en permanence. Ajoutez très lentement les œufs battus et continuez à mélanger. Réduisez la chaleur sur faible et laissez cuire jusqu'à ce que le mélange s'épaississe légèrement. Ajoutez lentement la vanille, la Half and Half, et la crème épaisse. Versez dans un grand saladier de verre et réfrigérez pendant 2 à 4 heures ou jusqu'à ce que le mélange ait refroidi. Retirez la préparation du réfrigérateur. Versez le mélange dans le récipient de congélation et suivez les consignes de la section « Utilisation de votre Machine à Glace 4 Qt. (3.8 Lt.) ». Ne remplissez pas le récipient de congélation au-dessus de la ligne « MAX » car le mélange va se dilater pendant la congélation.

Crème Glacée à la Pâte de Cookie

- 1 tasse de Pâte de Cookie aux Pépites de Chocolat (en petits morceaux)
- 6 tasses de Crème Épaisse
- 1 tasse de Mini Pépites de Chocolat
- 6 gros Œufs
- 2 ¼ tasses de Sucre
- 3 tasses de Lait

Placez la pâte à cookies et les pépites de chocolat dans un saladier séparé. Couvrez et maintenez-les au frais jusqu'à ce que l'ensemble soit froid. Fouettez les œufs dans un saladier de mélange pendant 1 à 2 minutes jusqu'à ce qu'ils soient légers et floconneux. Ajoutez lentement le sucre en mélangeant, et fouettez jusqu'à ce que le sucre soit complètement incorporé. Ajoutez lentement la crème et le lait puis fouettez jusqu'à ce qu'ils soient mélangés. Versez le mélange dans le récipient de congélation et suivez les instructions de la section « Utilisation de votre Machine à Glace 4 Qt. (3.8 Lt.) ». Ne remplissez pas le récipient de mélange au-dessus de la ligne « MAX » car le mélange va se dilater pendant la congélation. Lorsque la préparation du mélange est terminée, ajoutez la pâte à cookie et les pépites de chocolat et mélangez jusqu'à ce que la préparation soit homogène.

Crème Glacée au Café

4 ½ tasses de Half and Half
6 tasses de Crème

4 ½ cuillers à café de Poudre de Café Soluble
2 ¼ tasse de Sucre

Combinez tous les ingrédients dans un saladier de mélange. Mélangez bien jusqu'à ce que le sucre et la poudre de café soluble soient dissous. Versez le mélange dans le seau isotherme et suivez les instructions fournies dans la section « Utilisation de votre Machine à Glace 4 Qt. (3.8 Lt.) ». Ne remplissez pas le récipient de congélation au-dessus de la ligne « MAX » car le mélange va se dilater pendant la congélation.

Crème Glacée Rocky Road

1 ¾ tasse de Sucre en Poudre
½ cuiller à café de Sel
2 tasses de Lait
6 carrés de Chocolat Demi-Sucré
2 tasses de Half and Half

6 tasses de Crème Fouettée
1 cuiller à soupe D'extrait de Vanille
2 tasses de Mini Marshmallows
1 ½ tasses de Pépites de Chocolat
1 tasse de noix de Pécan Piliées

Mélangez le lait et le chocolat dans une grande casserole. Sur feu moyen, mélangez jusqu'à ce que le chocolat ait complètement fondu. Retirez du feu et ajoutez lentement le sucre et le sel, en mélangeant bien, jusqu'à ce qu'ils soient dissous. Incorporez les ingrédients restant sauf les marshmallows, les noix de pécan et les pépites de chocolat, puis couvrez et réfrigérez pendant environ 30 minutes ou jusqu'à ce que le mélange ait refroidi. Versez le mélange dans le récipient de congélation puis suivez les consignes de la section « Utilisation de votre Machine à Glace 4 Qt. (3.8 Lt.) ». Ne remplissez pas le récipient de congélation au-dessus de la ligne « MAX » car le mélange va se dilater pendant la congélation. Ajoutez les marshmallows, les noix de pécan et les pépites de chocolat une fois que la crème glacée a fini de se former et incorporez-les de façon uniforme.

Crème Glacée au Maïs Doux

50 cl (2 tasses) de Crème Épaisse
70 cl (3 tasses) de Lait
4 épis de Maïs Doux, décortiqués :
gardez les grains et coupez les rafles
en morceaux de 2.5 cm (1 po).

1 cuillère à thé D'extrait de Vanille
12 Jaunes D'œufs
15,7 cl (⅓ de tasse) plus 11,8 cl (½
tasse) de Sucre

Dans une petite casserole, mélangez la crème, le lait et les rafles de maïs en chauffant à feu moyen. Chauffez jusqu'à ce que le mélange frémissse. Mélangez le sucre pour le faire dissoudre. Laissez mijoter 10 minutes. Retirez les rafles de maïs avec une cuillère à rainures.

Battez les jaunes d'œufs et 15,7 cl (⅓ de tasse) de sucre ensemble dans un bol. Avec un fouet, incorporez lentement le mélange chaud. Fouettez pour obtenir une consistance uniforme. Remettez le mélange dans la casserole et chauffez à feu moyen en remuant constamment pendant 1 minute jusqu'à ce que le mélange soit suffisamment épais pour napper le dos d'une cuillère.

Passez la sauce à travers une passoire fine. Incorporez l'extrait de vanille.

Dans une petite casserole, chauffez jusqu'à faire frémir 23,6 cl d'eau (1 tasse), 11,8 cl de sucre (½ tasse) et les grains de maïs, puis laissez mijoter jusqu'à ce que les grains soient tendres, environ 10 minutes. Retirez la casserole du feu et ajoutez le mélange de maïs à la sauce. Laissez refroidir pendant la nuit dans un bol recouvert d'un film plastique pour éviter la formation d'une peau. Versez le mélange dans le seau isotherme et suivez les instructions fournies dans la section « Utilisation de votre Machine à Glace 4 Qt. (3.8 Lt.) ». Ne remplissez pas le seau isotherme au-dessus de la marque « MAX » car le mélange augmente en volume pendant la congélation.

Yogourt Glacé à la Fraise

95 cl (4 tasses) de Yogourt Nature	18 cl (¾ tasse) de Sucre
24 cl (1 tasses) de Crème à Fouetter Épaisse	35 cl (1 ½ tasses) de Fraises au sirop dégelées

Mélangez tous les ingrédients dans un grand bol à mélanger. Laissez refroidir le mélange couvert pendant une heure au réfrigérateur avant de congeler.

Versez le mélange dans le seau isotherme et suivez les instructions fournies dans la section « Utilisation de votre Machine à Glace 4 Qt. (3.8 Lt.) ». Ne remplissez pas le seau isotherme au-dessus de la marque « MAX » car le mélange augmente en volume pendant la congélation.

Gelato Chocolat Noisette

95 cl (4 tasses) de Lait Entier	1 cuillère à thé D'extrait de Vanille
50 cl (2 tasses) de Crème Épaisse	23.5 cl (1 tasse) de Pâte Chocolat Noisette
23.5 cl (1 tasse), plus 11.8 cl (½ tasse) de Sucre	23.5 cl (1 tasse) de Brisures de Noisettes – facultatif
8 Jaunes D'oeufs	

Dans une casserole, mélangez le lait, la crème, et 23.5 cl (1 tasse) de sucre en chauffant à feu moyen. Laissez cuire pour dissoudre le sucre, soit environ 5 minutes.

Pendant ce temps, dans un bol moyen, fouettez les jaunes d'œufs avec le reste du sucre à l'aide d'un batteur électrique jusqu'à ce que les œufs soient épais et d'une couleur jaune pâle, soit environ 4 minutes. Versez environ 12 cl (½ tasse) du mélange de lait chaud et de crème dans le mélange d'œufs et incorporez.

Rajoutez ce mélange dans la casserole. Faites cuire à feu très doux en remuant constamment jusqu'à ce que le mélange devienne suffisamment épais pour napper le dos d'une cuillère en bois, environ 7 à 10 minutes.

Mettez une passoire sur un bol moyen et passez la sauce chaude à travers la passoire. Ajoutez la pâte chocolat noisette en remuant pour la dissoudre.

Versez le mélange dans le seau isotherme et suivez les instructions fournies dans la section « Utilisation de votre Machine à Glace 4 Qt. (3.8 Lt.) ». Ne remplissez pas le seau isotherme au-dessus de la marque « MAX » car le mélange augmente en volume pendant la congélation.

GARANTIE DU PRODUIT

Garantie limitée de 1 an de l'appareil

Focus Electrics, LLC (« Focus Electrics ») garantit cet appareil contre tout défaut de pièces et de main d'œuvre pendant un (1) an à compter de la date d'achat d'origine avec un justificatif d'achat, à condition que l'appareil soit utilisé et entretenu conformément aux recommandations du Mode d'emploi fourni. Toute pièce défectueuse de l'appareil sera réparée ou remplacée sans frais à la discrétion de Focus Electrics. La présente garantie s'applique pour une utilisation domestique à l'intérieur uniquement.

Cette garantie ne prend pas en charge les dégâts, y compris la décoloration, subis par toute surface antiadhésive de l'appareil. Cette garantie est nulle et non avenue, tel que défini uniquement par Focus Electrics si l'appareil est détérioré par accident, mauvaise utilisation, utilisation abusive, négligence, rayure, ou si l'appareil est détérioré de quelque manière que ce soit.

LA PRÉSENTE GARANTIE ANNULE ET REMPLACE TOUTES LES GARANTIES INDUITES, NOTAMMENT LES GARANTIES DE COMMERCIALISATION, D'ADAPTATION À UN USAGE PARTICULIER, DE PERFORMANCE, OU AUTRE, QUI SONT ICI EXCLUES. EN AUCUN CAS FOCUS ELECTRICS NE POURRA ÊTRE TENUE POUR RESPONSABLE DE TOUT DÉGÂT, QUE CELUI-CI SOIT DIRECT, INDIRECT, SECONDAIRE, PRÉVISIBLE, INDUIT OU PARTICULIER, RÉSULTANT DE OU EN RAPPORT AVEC CET APPAREIL.

Si vous pensez que cet appareil est défectueux ou a besoin d'être réparé pendant la durée de sa garantie, veuillez contacter le Service clientèle de Focus Electrics au (866) 290-1851 ou nous adresser un e-mail à service@focuselectrics.com. Les frais d'expédition de retour sont non remboursables. Un justificatif prouvant la date d'achat d'origine sera exigé pour toutes les demandes de prise en charge dans le cadre de la garantie, **les factures manuscrites ne sont pas acceptées**. Focus Electrics n'est pas responsable pour les retours perdus pendant le transport.

Valable uniquement aux USA et au Canada

PIÈCES DE RECHANGE

Les pièces de rechange, lorsque celles-ci sont disponibles, peuvent être commandées directement auprès de Focus Electrics en ligne sur www.focuselectrics.com, ou vous pouvez téléphoner ou envoyer un e-mail au service entretien au numéro/à l'adresse e-mail ci-dessus, ou vous pouvez nous écrire à :

Focus Electrics, LLC
Attn : Service clientèle
P. O. Box 2780
West Bend, WI 53095

Assurez-vous d'inclure le numéro de catalogue/modèle de votre appareil (situé sur le dessous/à l'arrière de l'appareil) accompagné d'une description et de la quantité de la pièce que vous souhaitez commander. Ajoutez également votre nom, votre adresse postale, un numéro de carte Visa/MasterCard, une date d'expiration ainsi que le nom tel qu'il apparaît sur la carte. Vous pouvez payer par chèque à l'ordre de Focus Electrics, LLC. Appelez le Service clientèle pour obtenir le montant de l'achat. La taxe de vente de votre état ainsi que des frais d'expédition/de traitement seront ajoutés au total de la facture. Veuillez patienter deux (2) semaines pour la livraison.

Ce manuel contient des informations importantes et utiles concernant l'utilisation sans danger et l'entretien de votre nouveau produit Focus Electrics. Pour une consultation ultérieure, fixez le ticket de caisse daté pour servir de justificatif d'achat et inscrivez les informations suivantes :

Date d'achat ou de réception en cadeau : _____

Lieu d'achat et prix, si connu : _____

Numéro de l'article et Code de date (dessous/arrière de l'appareil) : _____

NOTES

West Bend®

MÁQUINA DE HELADOS DE 4 QT. (3.8 LT.)

Manual de Instrucciones



Registre éste y otros productos de Focus Electrics en nuestro sitio:
www.registerfocus.com en Internet

Precauciones Importantes.....	2
Antes de Usar por Primera Vez.....	3
Cómo Utilizar la Máquina de Helados de 4 Qt. (3.8 Lt.)	4
Consejos Prácticos.....	5
Limpieza de la Máquina de Helados de 4 Qt. (3.8 Lt.)	6
Recetas	7
Garantía	10

CONSERVE ESTAS INSTRUCCIONES COMO REFERENCIA PARA EL FUTURO

PRECAUCIONES IMPORTANTES



PRECAUCIÓN

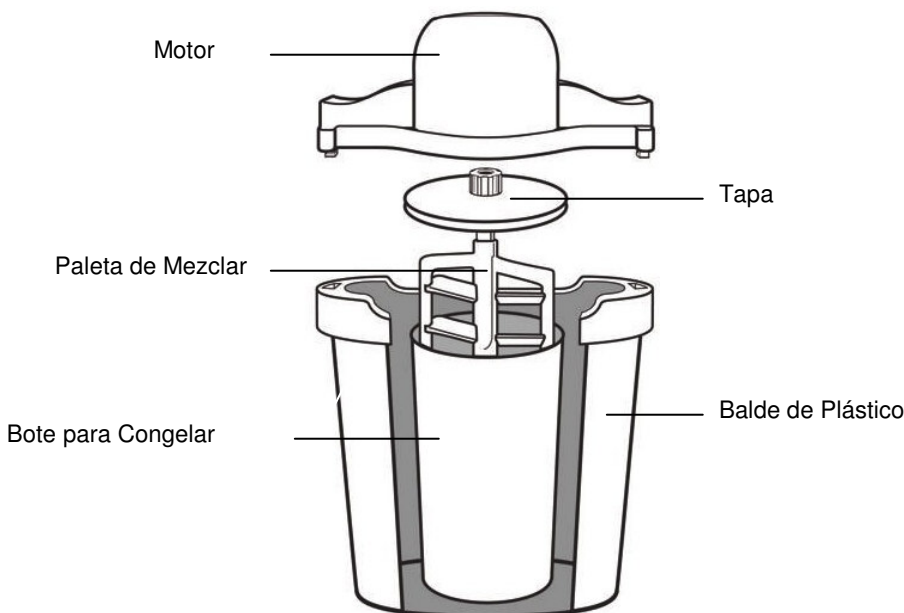
Para evitar lesiones personales o daños materiales, lea y acate todas las instrucciones y advertencias.

Al utilizar artefactos electrodomésticos, siempre deben acatarse las precauciones básicas de seguridad incluyendo las siguientes:

- Lea todas las instrucciones en este manual, incluso estas importantes precauciones, así como las instrucciones de uso y cuidado.
- No toque las superficies calientes. Use las asas o las perillas y almohadillas aislantes o guantes térmicos.
- Desenchúfelo siempre del tomacorriente cuando no esté en uso y antes de limpiarlo. Permita que se enfríe antes de colocarle o quitarle piezas o antes de limpiarlo.
- Debe estarse muy pendiente de los niños cuando se use un artefacto electrodoméstico que sea usado por ellos o cerca de ellos.
- No opere ningún artefacto electrodoméstico con un cordón eléctrico o enchufe dañado o si el artefacto electrodoméstico funciona mal o ha sido dañado de cualquier manera. Para información relativa al servicio de reparaciones vea la página de garantías.
- El uso de accesorios no recomendados por Focus Electrics puede ser causa de fuego, descargas eléctricas, o lesiones personales.
- No use este artefacto electrodoméstico al aire libre.
- No deje que el cordón eléctrico cuelgue sobre el borde de la mesa o encimera, ni que toque superficies calientes.
- No lo coloque sobre o cerca de un calentador eléctrico o a gas, o en un horno caliente.
- Para desconectar, coloque cualquier control en la posición "OFF" (apagado), y luego desenchufe del tomacorriente.
- No utilice el artefacto electrodoméstico para usos distintos del indicado.
- Para protegerse contra descargas eléctricas no sumerja el cable, enchufes, u otras partes eléctricas en agua u otros líquidos.
- No trate de reparar este artefacto electrodoméstico usted mismo.
- Se suministra un cordón eléctrico corto para reducir los riesgos que resultan de enredarse o tropezarse con un cordón eléctrico más largo.
- Hay disponibles cables de extensión más largos, pero debe tenerse cuidado al usarlos. Aunque no se recomienda utilizar cables de extensión, si debe utilizar uno, asegúrese de que la capacidad eléctrica indicada del cable de extensión sea igual o mayor a la del artefacto. Si el enchufe es del tipo conectado a tierra, el cable de extensión deberá ser un cordón eléctrico de 3 hilos con conexión a tierra. A fin de impedir lesiones que resulten del halar, tropezarse o enredarse en el mismo, coloque el cable de extensión de tal modo que no cuelgue del borde de un mostrador, mesa u otra superficie donde pueda ser halado por niños o se pueda tropezar con él.

- Este artefacto electrodoméstico tiene un enchufe polarizado (una clavija es más ancha que la otra). Para reducir el riesgo de descargas eléctricas, este enchufe está diseñado para encajar de una sola manera en un tomacorriente polarizado. Invierta el enchufe si éste no encaja completamente en el tomacorriente. Si todavía no encaja, póngase en contacto con un electricista calificado. No trate de modificar el enchufe de manera alguna.
- No use un tomacorriente o cable de extensión en el cual el enchufe calza flojamente, o si el tomacorriente o el cable de extensión se calientan.
- Evite el contacto con partes en movimiento.
- **Sólo para uso doméstico.**

CONSERVE ESTAS INSTRUCCIONES



ANTES DE USAR POR PRIMERA VEZ

Sírvase revisar con cuidado todo el material de empaque antes de desecharlo. El material de empaque puede contener partes accesorias.

Consulte la sección "Limpieza de la Máquina de Helados de 4 Qt. (3.8 Lt.)" de este manual.

NO sumerja el motor o el cordón eléctrico en agua o cualquier otro líquido.

CÓMO UTILIZAR LA MÁQUINA DE HELADOS DE 4 QT. (3.8 LT.)

1. Coloque el bote para congelar, la tapa y la paleta de mezclar en el congelador durante por lo menos una hora antes de comenzar a preparar el helado. **Nota:** No congele el bote para congelar mientras el mismo esté mojado; siempre séquelo a fondo antes de congelarlo.
2. Prepare los ingredientes según las indicaciones en la receta. Pará obtener óptimos resultados, prepare la mezcla del helado el día antes y refrigérela durante la noche.
3. Vierta la mezcla refrigerada del helado dentro del bote para congelar enfriado. No llene el bote para congelar por encima de la línea "MAX", ya que en la mezcla del helado se expandirá durante el proceso de congelación.
4. Inserte el extremo redondo de la paleta de mezclar en la hendidura central del bote para congelar.
5. Coloque la tapa en el bote para congelar, insertando el poste de la paleta de mezclar a través del centro de la tapa.
6. Coloque el bote para congelar en el balde, alineado con el soporte de centrado en el fondo del balde.
7. Alinee el poste de la paleta de mezclar dentro del agujero en el centro del motor. Podría requerir rotar el bote para congelar de manera que el poste de la paleta de mezclar encaje dentro del motor. Inserte las lengüetas en la parte inferior del motor dentro de los agujeros a los lados del balde. Gire hacia la izquierda para inmovilizar la unidad del motor en su lugar.
8. Enchufe el cordón eléctrico SOLAMENTE a un tomacorriente de 120 V de corriente alterna.
9. Distribuya de manera pareja unas dos tazas de hielo **picado** alrededor de la base del bote para congelar. El hielo deberá estar picado en pedazos pequeños o gruesos pero no deben ser cubos. Rompa cualquier pedazo grande. Para cada lote de helado, estime utilizar 1-2 bolsas de hielo pequeñas, alrededor de 4-8 libras (1.8-3.6 kg).
10. Cubra la primera capa de hielo de manera pareja con alrededor de un ¼ de taza (1.3 cm) de sal de roca.
11. Repita los pasos 9 y 10, colocando hielo y sal hasta alcanzar ½ pulgada por debajo del orificio en la parte delantera del balde; no llene de más.
12. Al derretirse el hielo, agregue más capas de hielo y sal de roca.
13. Se tardará aproximadamente 50-60 minutos en preparar el helado. Si el motor se parase antes de haber transcurrido 30 minutos, desenchufe el artefacto y revise si se ha presentado alguno de los siguientes problemas.
 - Si el bote o la paleta de mezclar se paran prematuramente, verifique que el hielo no esté impidiendo que el bote gire. Si el hielo ha causado el bloqueo, mantenga el artefacto desenchufado y elimine el bloqueo con una espátula.
 - Si se atorase la paleta de mezclar, revise la consistencia del helado alrededor de los bordes del bote. Si está congelado, utilice una espátula para aflojarlo.
 - Los ingredientes duros, como los trozos de chocolate y las nueces, pueden causar que la paleta de mezclar se atore. Agregue estos cuando se haya terminado de preparar el helado.
 - Si el proceso de mezclado es parado prematuramente por el usuario, el helado se endurecerá y restringirá el movimiento de la paleta de mezclar.

14. Por lo general, el proceso de congelación se completa en alrededor de 50-60 minutos. Desenchufe el artefacto del tomacorriente. **No permita que la máquina de helados funcione durante más de 60 minutos.** Si la máquina de helados se parase después de 30 minutos, pero antes de que hayan transcurrido los 50 minutos, verifique si el helado ya está listo. Si aún no lo está, despegue la paleta de mezclar y continúe. O, coloque el helado en un tazón hermético y colóquelo en el congelador durante alrededor de una hora.
15. Desenchufe el motor y gírelo hacia la derecha para desengancharlo, coloque una mano sobre el bote para congelar y retire el motor. Si el bote para congelar no se aguanta con la mano, podría voltearse y dejar colar agua salada dentro del helado.
16. Retire el bote para congelar del agua y pásele una toalla para eliminar el agua y la sal.
17. Retire la tapa, luego la paleta de mezclar, y raspe el exceso de helado en la paleta con una espátula.
18. Sirva el helado inmediatamente o transfíralo a un recipiente hermético apto para el congelador y congélese. **Nota:** Debido a que los helados caseros no contienen los conservantes que si tienen los helados comprados en las tiendas, los mismos no durarán más de una semana.
 - Una pequeña cantidad de humo/olor puede desprenderse debido a la liberación de aceites de manufactura - esto es normal.
 - Algunos leves ruidos de expansión/contracción pueden ocurrir durante el uso - esto es normal.

CONSEJOS PRÁCTICOS

- Las recetas de los helados caseros solamente utilizan ingredientes frescos; por lo tanto, no tienen la misma consistencia de los helados comprados en tiendas, los cuales utilizan gomas y conservantes para que sean más firmes. Si usted prefiere una consistencia más firme, coloque el helado congelado en un recipiente hermético y almacénelo en el congelador durante una o más horas hasta lograr la consistencia deseada. ***El helado casero por lo general tiene la consistencia de una leche malteada espesa.***
- Para recetas que requieren cocción previa, prepare la mezcla base un día antes y almacénela durante la noche en el refrigerador. Esto permitirá que se enfríe completamente e incremente el volumen de helado producido.
- Las mezclas base para preparar helados pueden almacenarse en el refrigerador hasta 3 días antes de la preparación del helado. Asegúrese de mezclar bien la mezcla antes de agregarla al bote de congelación.
- Los ingredientes más comunes en los helados son la crema, el azúcar, los huevos y la leche. Para el sabor más rico y la textura más cremosa, use una crema que contenga el porcentaje más alto de grasa. La crema doble tiene el contenido de grasa más alto (aproximadamente el 36%), la Crema para Batir el 30%, la Crema Ligera y para Café el 18%, y la Mitad Crema y Mitad Leche el 10%. Se pueden sustituir los productos lácteos (tanto la crema como la leche) para reducir el contenido de grasa. Sin embargo, esto puede cambiar el sabor, la consistencia y la textura del helado. Al sustituir ingredientes, asegúrese de que la medida líquida total permanezca igual a la receta original.
- El helado casero tendrá un sabor menos dulce que la mezcla base del helado. Si el helado no es lo suficientemente dulce, puede ajustar la cantidad de azúcar utilizado, teniendo en cuenta que el dulzor disminuirá durante el proceso de congelación.

- Pueden utilizarse edulcorantes artificiales para sustituir al azúcar en una receta. Añádalos sólo a una mezcla base enfriada ya que el calor afecta el dulzor.
- Para las recetas que contienen alcohol, agregue el mismo manualmente tras completar el ciclo de congelación. El alcohol puede afectar negativamente el proceso de congelación si se añade demasiado pronto. No trate de reiniciar el motor para mezclar después de haber agregado el alcohol.
- La mezcla base del helado debe estar líquida antes de congelarse. No use ingredientes duros o congelados como la crema batida o líquidos o jugos congelados.
- Los helados deberán almacenarse en recipientes herméticos en el congelador. NO los almacene en el bote para congelar.
- Si desea preparar sus helados de manera que sea más duros, al terminar de batir, retire la paleta de mezclar y coloque la tapa en el bote. Colóquelos en el congelador durante una media hora para que se endurezca la mezcla. No deje el bote en el congelador por más de media hora.
 - O, deje el bote en el balde de plástico, retire la paleta de mezclar. Agregue más hielo a la mezcla de hielo/sal. Cubra con una toalla y deje reposar hasta que el helado quede firme.
- Posibles razones por la cual la mezcla del helado no se congela correctamente:
 - La mezcla estaba demasiado caliente. Los ingredientes, el bote para congelar, la tapa y la paleta deberán enfriarse previo a la mezcla y deberán mantenerse refrigerados hasta que estén listos para congelarse en la máquina de helados.
 - La proporción de los ingredientes estuvo incorrecta. Revise su receta con cuidado, y si se hicieron sustituciones, asegúrese de que los ingredientes líquidos totales sean iguales a la receta original.
 - El utilizar demasiada poca sal de roca inhibe el proceso de congelación. El utilizar demasiada sal de roca puede ocasionar que la mezcla se congele demasiado rápidamente causando la formación de cristales de hielo en el helado.
 - No pare durante el proceso de batido. Esto ocasionará que se formen cristales de hielo dando como resultado una textura granulosa.

LIMPIEZA DE LA MÁQUINA DE HELADOS DE 4 QT. (3.8 LT.)

1. Desenchufe la máquina de helados antes de limpiarla.
2. Limpie el motor con un paño ligeramente húmedo. NO sumerja la unidad del motor en agua o cualquier otro líquido.
3. Limpie el balde de plástico a fondo con una esponja jabonosa para eliminar cualquier residuo de sal-agua. Enjuague y seque a fondo.
4. Lave el bote para congelar, la tapa y la paleta de mezclar con agua caliente jabonosa. Enjuague y seque a fondo. No tape el bote para congelar hasta tanto no esté completamente seca.
5. No utilice limpiadores ásperos o abrasivos sobre ninguna parte de la máquina de helados. **No** coloque ninguna pieza de la máquina de helados en el lavavajillas.

Helado de Café

- | | |
|-------------------------------------|-------------------------------------|
| 4 ½ tazas Mitad Crema y Mitad Leche | 4 ½ cdas. Café Instantáneo en Polvo |
| 6 tazas Crema | 2 ¼ tazas Azúcar |

Combine todos los ingredientes en un tazón de mezclar. Remueva bien hasta que todo el azúcar y el café instantáneo en polvo queden disueltos. Vierta la mezcla en el bote para congelar y siga las instrucciones indicadas en la sección "Cómo Utilizar la Máquina de Helados de 4 Qt. (3.8 Lt.)." No llene el bote para congelar por encima de la línea "MAX", puesto que la mezcla se expandirá durante la congelación.

Helado "Rocky Road"

- | | |
|-------------------------------------|-------------------------------|
| 1 ¾ taza Azúcar Granulado | 6 tazas Crema de Batir |
| ½ cda. Sal | 1 cda. Extracto de Vainilla |
| 2 tazas Leche | 2 tazas de Mini Malvaviscos |
| 6 cuadrados de Chocolate Semi-Dulce | 1 ½ tazas Trozos de Chocolate |
| 2 tazas Mitad Crema y Mitad Leche | 1 taza Pacanas Picadas |

Mezcle la leche y el chocolate en una cacerola grande. Sobre fuego medio revuélvalos hasta que el chocolate quede completamente derretido. Retire la mezcla del calor y lentamente agregue el azúcar y la sal, mezclando bien hasta quedar disueltos. Añada los demás ingredientes mientras remueve la mezcla, excepto por los malvaviscos, las pacanas y los trozos de chocolate, y luego cúbrala y refrigere durante alrededor de 30 minutos o hasta que la mezcla esté fría. Vierta la mezcla en el bote para congelar y sigan las indicaciones en la sección de "Cómo Utilizar la Máquina de Helados de 4 Qt. (3.8 Lt.)." No llene el bote para congelar por encima de la línea "MAX." puesto que la mezcla se expandirá durante la congelación. Agregue los malvaviscos, las pacanas y los trozos de chocolate una vez que se haya terminado de batir el helado y remuévalos hasta quedar bien distribuidos.

Helado de Maíz Dulce

- | | |
|--------------------------------|-----------------------------|
| 2 tazas de Crema Pesada | 12 Yemas de Huevo |
| 3 tazas de Leche | ¾ taza más ½ taza de Azúcar |
| 1 cda. de Extracto de Vainilla | |

4 espigas de Maíz Dulce, desgranadas, guarde los granos, corte las mazorcas en pedazos de 1 pulgada (2.5 cm)

En una pequeña cacerola y bajo fuego medio, combine la crema, la leche y las mazorcas de maíz. Lleve al hervor. Remueva para disolver el azúcar. Hierva durante 10 minutos. Saque las mazorcas de maíz con una cuchara con ranuras. Bata las yemas de huevo y ¾ de taza de azúcar juntos en un tazón.

Lentamente incorpore la mezcla de la crema caliente mientras bate. Bata hasta quedar homogéneo. Regrese la mezcla a la cacerola y bátala sobre fuego lento durante 1 minuto, hasta que recubra el reverso de la cuchara. Cuele la natilla a través de un tamiz fino. Agregue removiendo el extracto de vainilla.

En una pequeña cacerola, lleve al hervor 1 taza de agua, ½ taza de azúcar y los granos de maíz, y cueza hasta que los granos queden tiernos, lo cual tomará unos 10 minutos. Retire del fuego y agregue la mezcla de maíz a la natilla. Permita que esta se enfríe de un día para el otro en un tazón, el cual se tapa con una envoltura de plástico para prevenir que se forme nata. Vierta la mezcla en el bote para congelar y siga las instrucciones indicadas en la sección "Cómo Utilizar la Máquina de Helados de 4 Qt. (3.8 Lt.)." No llene el bote para congelar por encima de la línea "MAX", ya que la mezcla se expandirá durante la congelación.

Yogur Congelado de Fresas

4 tazas de Yogur Natural
¾ taza de Azúcar

1 taza de Crema Doble para Batir
1 ½ tazas de Fresas en almíbar,
descongeladas

Mezcle todos los ingredientes en un tazón grande para mezclar. Entríe la mezcla, cubierta, en el refrigerador durante 1 hora antes de congelar la.

Vierta la mezcla en el bote para congelar y siga las instrucciones indicadas en la sección "Cómo Utilizar la Máquina de Helados de 4 Qt. (3.8 Lt.)." No llene el bote para congelar por encima de la línea "MAX," ya que la mezcla se expandirá durante la congelación.

Gelato de Chocolate y Avellanas

4 tazas de Leche Entera
2 tazas de Crema Pesada
1 taza más ½ taza de Azúcar
8 Yemas de Huevo

1 ctda. de Extracto de Vainilla
1 taza de Pasta de Chocolate y Avellanas
1 taza de Avellanas, picadas, opcional

En una cacerola, combine la leche, la crema y taza de azúcar mientras calienta sobre fuego medio. Cueza hasta que se disuelva el azúcar, lo cual tardará unos 5 minutos.

Mientras tanto, en un tazón de tamaño medio bata las yemas de huevo con el azúcar restante utilizando una batidora eléctrica hasta que los huevos queden espesos y de color amarillo pálido, lo cual tomará unos 4 minutos. Vierta ½ taza de leche tibia y la mezcla de la crema dentro de la mezcla de los huevos y revuelva. Agregue esta mezcla de vuelta a la cacerola. Cocine a fuego muy lento, removiendo constantemente, hasta que la mezcla se torne lo suficientemente espesa para recubrir el reverso de una cuchara de madera, lo cual tardará entre 7 y 10 minutos.

Coloque un colador sobre un tazón de tamaño medio y vierta la mezcla de la natilla tibia a través del mismo. Agregue y revuelva la vainilla y la pasta de avellanas hasta que queden disueltas. Vierta la mezcla en el bote para congelar y siga las instrucciones indicadas en la sección "Cómo Utilizar la Máquina de Helados de 4 Qt. (3.8 Lt.)." No llene el bote para congelar por encima de la línea "MAX," ya que la mezcla se expandirá durante la congelación

GARANTÍA DEL PRODUCTO

Garantía Limitada de 1 Año del Artefacto Electrodoméstico

Focus Electrics, LLC ("Focus Electrics") garantiza que este aparato no presentará fallas de material ni fabricación durante un (1) año a partir de la fecha original de compra con prueba de dicha compra, siempre y cuando el aparato sea operado y mantenido tal como se indica en el manual de instrucciones provisto. Toda pieza del aparato que presente fallas será reparada o reemplazada sin costo alguno a criterio de Focus Electrics. Esta garantía rige solamente para el uso domestico dentro de la casa.

Esta garantía no cubre ningún daño, incluyendo la decoloración, de superficie anti-adherente alguna del aparato electrodoméstico. Esta garantía es nula y sin valor, según lo determine exclusivamente Focus Electrics si el artefacto electrodoméstico es dañado a causa de accidente, mal uso, abuso, negligencia, rayaduras, o si el artefacto electrodoméstico es cambiado de algún modo.

ESTA GARANTÍA REEMPLAZA A TODAS LAS DEMÁS GARANTÍAS IMPLÍCITAS, INCLUYENDO AQUÉLLAS DE COMERCIALIZACIÓN, IDONEIDAD PARA UN FIN O USO EN PARTICULAR, DESEMPEÑO, U OTROS TIPOS, LAS CUALES QUEDAN EXCLUIDAS MEDIANTE EL PRESENTE DOCUMENTO. FOCUS ELECTRICS, LLC RECHAZA TODA RESPONSABILIDAD POR DAÑOS, YA SEAN DIRECTOS, INDIRECTOS, INCIDENTALES, PREVISIBLES, CONSECUENTES O ESPECIALES QUE SURJAN DE ESTE APARATO ELECTRODOMÉSTICO O GUARDEN RELACIÓN CON EL MISMO.

Si piensa que el artefacto electrodoméstico se ha dañado o requiere de servicio dentro de su período de garantía, por favor póngase en contacto con el Departamento de Atención al Cliente de Focus Electrics por el (866) 290-1851 o contáctenos por correo electrónico a la service@focuselectrics.com. Los gastos de devolución no son reembolsables. Para todas las reclamaciones de garantía, se requerirá un recibo que demuestre la fecha de compra original, **los recibos escritos a mano no son aceptados**. Focus Electrics, LLC no se hace responsable de las devoluciones perdidas en tránsito.

Válido sólo en EE.UU. y Canadá

REPUESTOS

Las partes de repuestos, si están disponibles, pueden pedirse directamente en línea a Focus Electrics en www.focuselectrics.com, o puede llamar o enviar un correo electrónico al departamento de servicio al número telefónico o dirección de correo electrónico arriba indicados, o escribiéndonos a:

Focus Electrics, LLC
Attn: Customer Service
P. O. Box 2780
West Bend, WI 53095

Cerciórese de incluir el número de catálogo/modelo del aparato electrodoméstico (situado en la parte inferior/posterior de la unidad) así como la descripción y la cantidad de repuestos que necesita. Junto con esta información, incluya su nombre, dirección postal, número de tarjeta de crédito Visa o MasterCard, la fecha de vencimiento y el nombre tal como aparece en la tarjeta. Los cheques pueden ser pagaderos a Focus Electrics, LLC. Llame al Departamento de Atención al Cliente para obtener el monto de la compra. Se sumará al total el impuesto de venta estatal que corresponda, más un cargo por despacho y procesamiento. La entrega tarda dos (2) semanas.

Este manual contiene información importante y útil sobre el uso seguro y el cuidado de su nuevo producto Focus Electrics. Para su propia referencia, archive aquí el recibo fechado que sirve de comprobante de compra para la garantía, y anote la siguiente información:

Fecha en que compró o recibió la unidad como regalo: _____

Dónde se efectuó la compra y el precio, si lo sabe: _____

Número y código de fecha del producto (aparece en la parte inferior/posterior de la unidad): _____

NOTAS