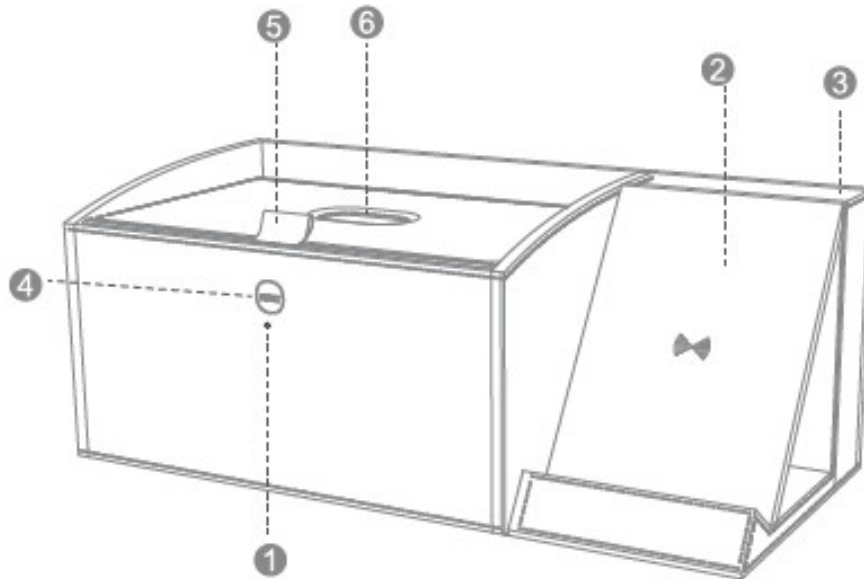




## User Manual

Please read and follow this user manual carefully before using it, product technology and software update won't be informed

## Product Diagram



- ① LED status indicator
- ② Wireless Charger
- ③ Pen holder
- ④ Disinfection Button
- ⑤ Hanging loop
- ⑥ Transparent glass hole

## Specifications

Model	KV26 Pro
Power Input	DC 5.0V/2.0A, 9.0V/2.0A
Ultraviolet wavelength	253.7nm
Disinfection power	3W Max
Wireless Output	10W Max
Product size	308x125x110 mm
Product inner size	204x103x65 mm

## Sterilization Guide:

1. Put the mobile phone or other items to be sterilized into the box and close the cover.
2. Sterilization mode: press button once, and the sterilizer performs automatic sterilization for 8 minutes; the sterilizer will be stopped and the timer will be reset if the cover is opened; sterilization is automatically turned on and the timer is restarted after the cover is closed.
3. Sterilization completed: The entire sterilization process is 8 minutes.
4. The UV light is automatically turned off when the cover is opened.

## Specific explanation for indicator light:

Indicator	Operating modes		Wireless charging LED	Sterilization UVC lamp	Remark	
		Standby mode			UV lamp off	When power is on, the indicator light alternates Flash once
Sterilization	Sterilizing	Blue lights on		UV lamp on	Cover is closed, short press to start	
	Sterilization stopped			UV lamp off	It goes on to work when the cover is closed, and it's automatically turned off when the cover is opened	
	Sterilization stopped manually					When the cover is closed, press the switch bottom for 3 seconds to turn off the sterilizer.
	Disinfection completed					
	Wireless charging					Charging mode
	Wireless charger's protection mode	Blue light flashing				
	Smartphone fully charged	Blue lights on				
Sterilizing/ Wireless charging at the same time	Disinfection + wireless charging	Green lights on	UV lamp on	<ol style="list-style-type: none"> <li>1. Short press the switch bottom to turn on the sterilizer when the cover is closed.</li> <li>2. The whole disinfection takes 8 minutes.</li> </ol>		

## Warm prompt

- ※ Sterilization will be stopped and UV lamp will be automatically turned off to avoid unnecessary damage to human body if the cover is opened in the process of sterilization; The operation will be recovered after the cover is closed again.
- ※ If the product has not been used for a long time, the UV light may have a warm-up process when disinfection begins, it's about 10 seconds long. After the warm-up, the UV light will automatically light up.

## Notes

- ※ Do not disassemble the product by yourself.
- ※ Do not use this product in high temperature or humid environment, please keep away from fire and water.
- ※ This product is only suitable for mobile phone charging which supports wireless charging function.
- ※ If the mobile phone dose not support fast wireless charging ,it will automatically adjust to the charging efficiency of the mobile phone itself
- ※ The charging contact surface on the back of the mobile phone shall not contain metal substances, such as iron sheet, ring and metal protective case.

## Package list

- ※ Multifunctional UV Sterilizer x 1
- ※ Type-C cable x 1
- ※ User Manual x 1