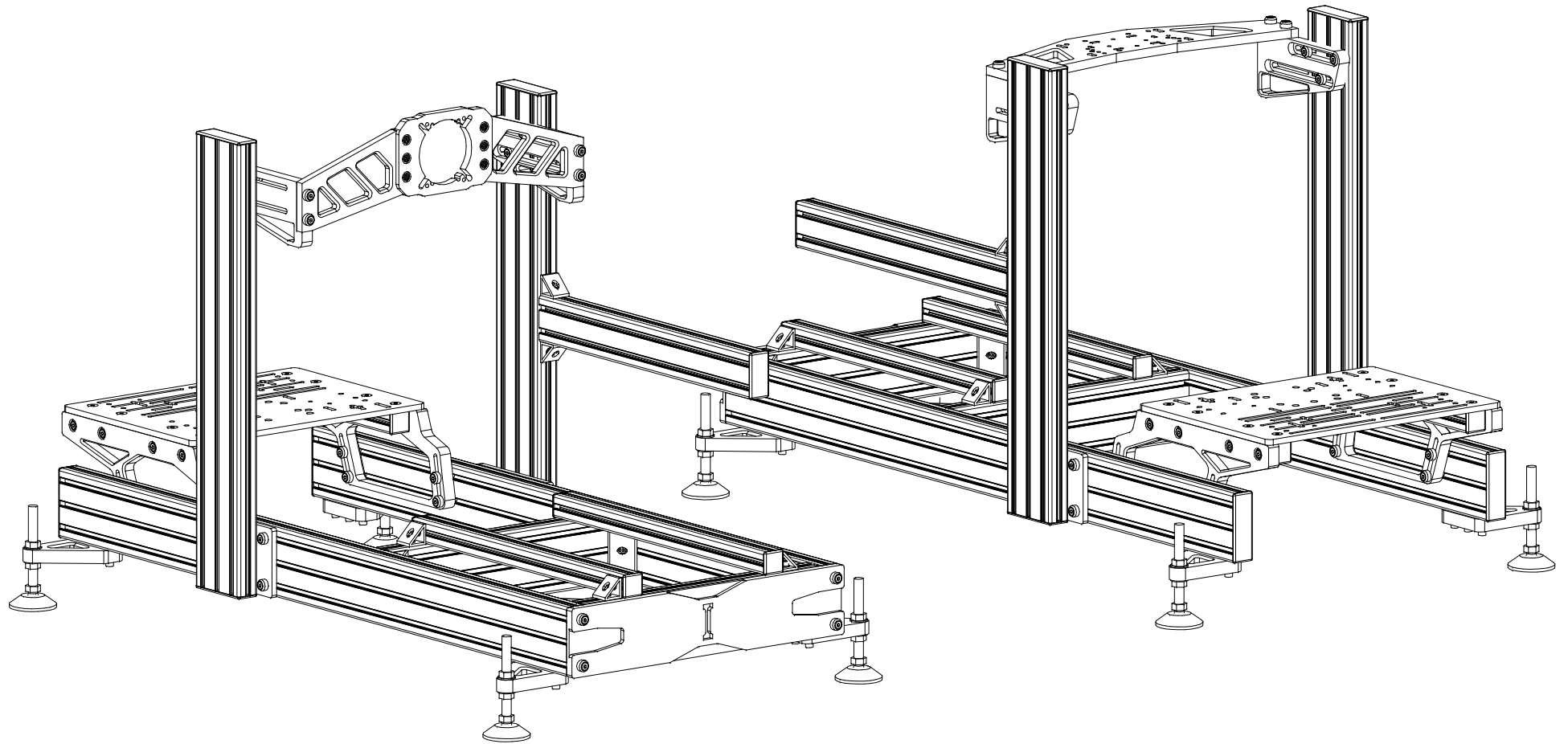
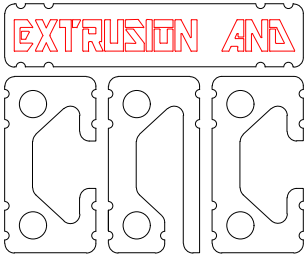
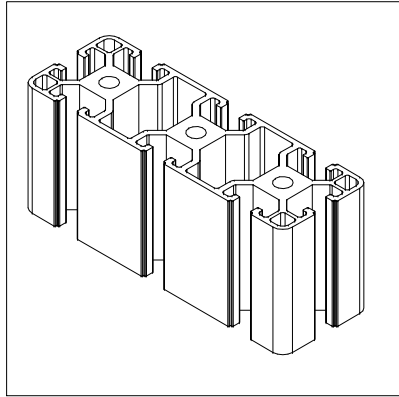


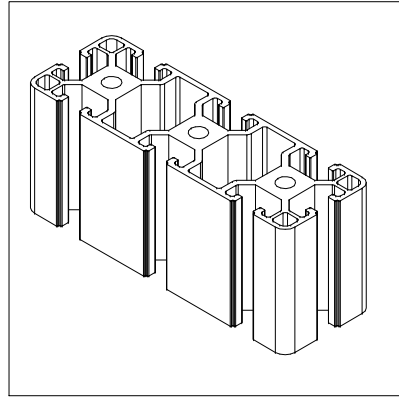
# X1-VIPER Instruction manual



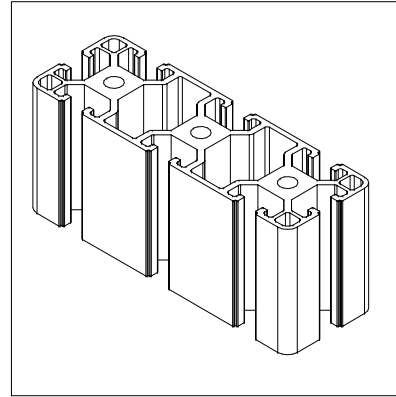
# Package Includes 1/2



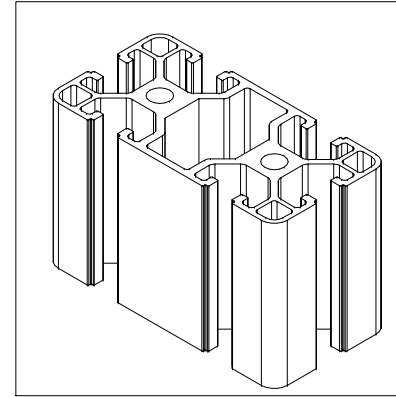
1400mm x 2



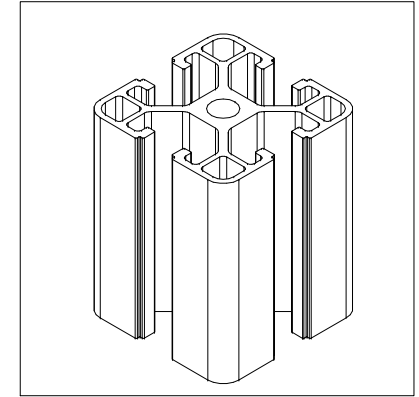
500mm x 2



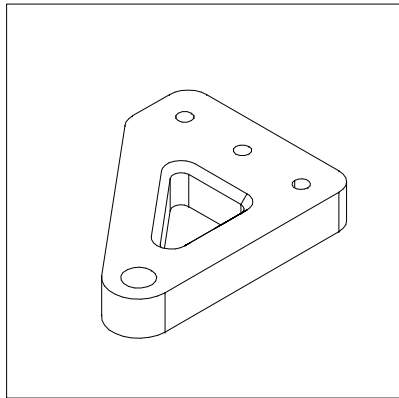
780mm x 2



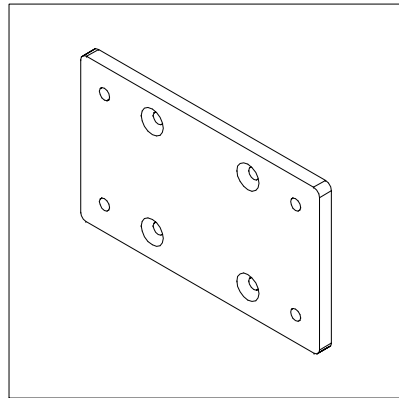
580mm x 1



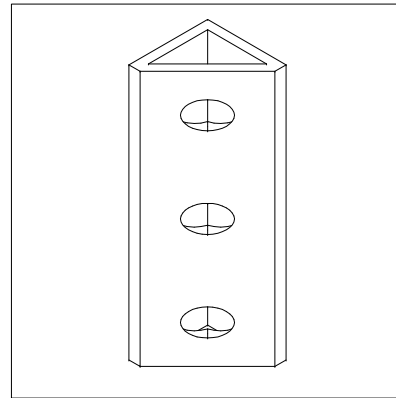
580mm x 2



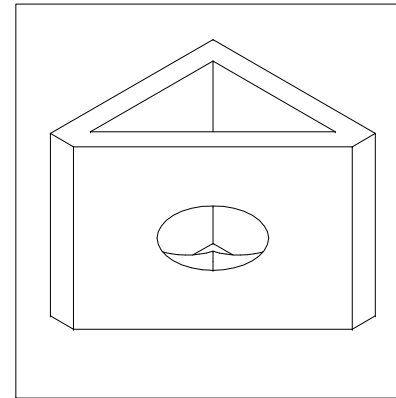
x 4



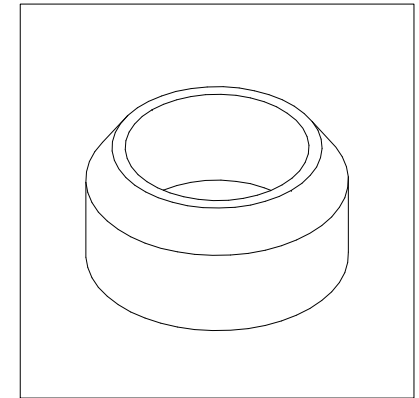
x 4



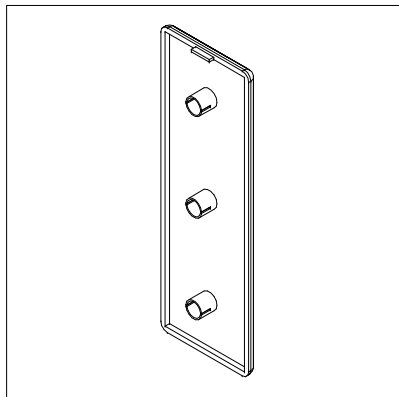
x 4



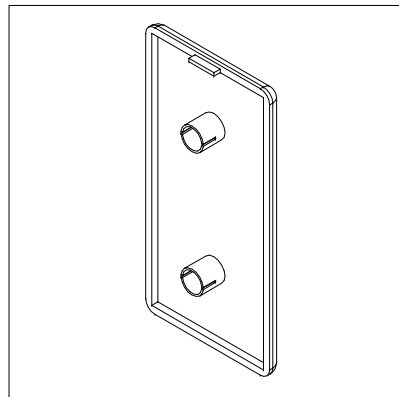
x 6



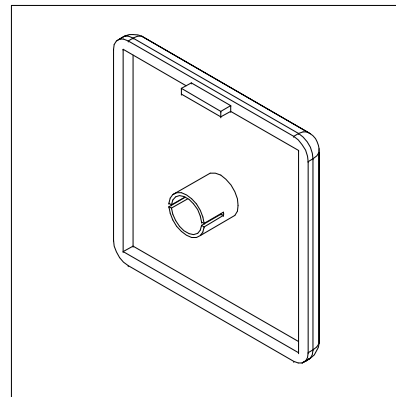
M8 Washer x 12



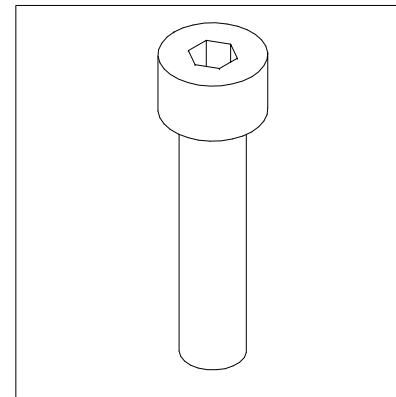
x 6



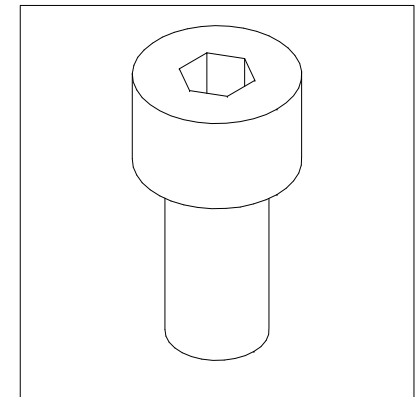
x 1



x 4

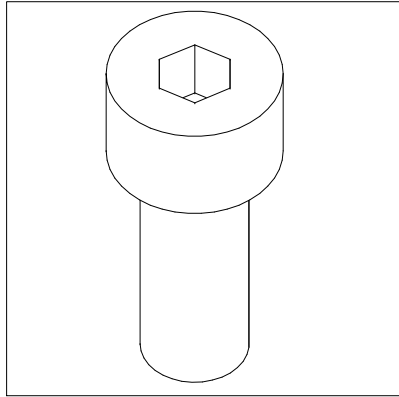


M8 x30mm x 12

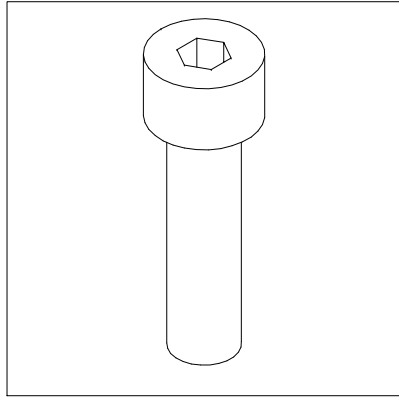


M8 x16mm x 36

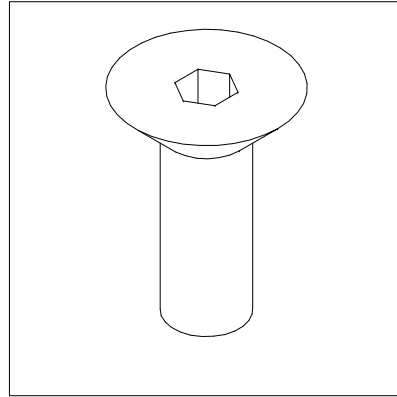
# Package Includes 2/2



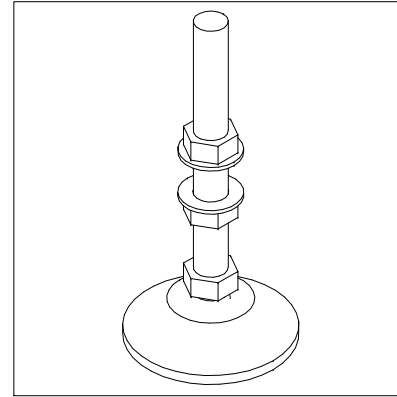
M8 x20mm x 8



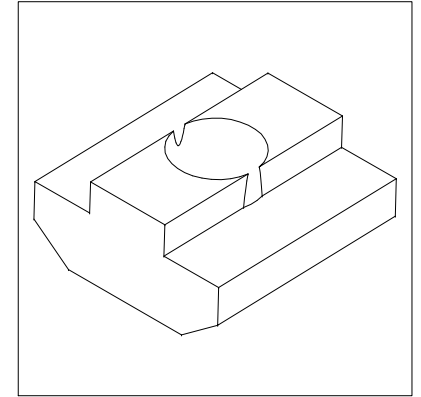
M8 x25mm x 4



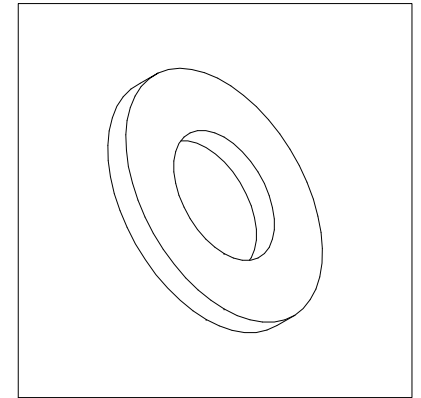
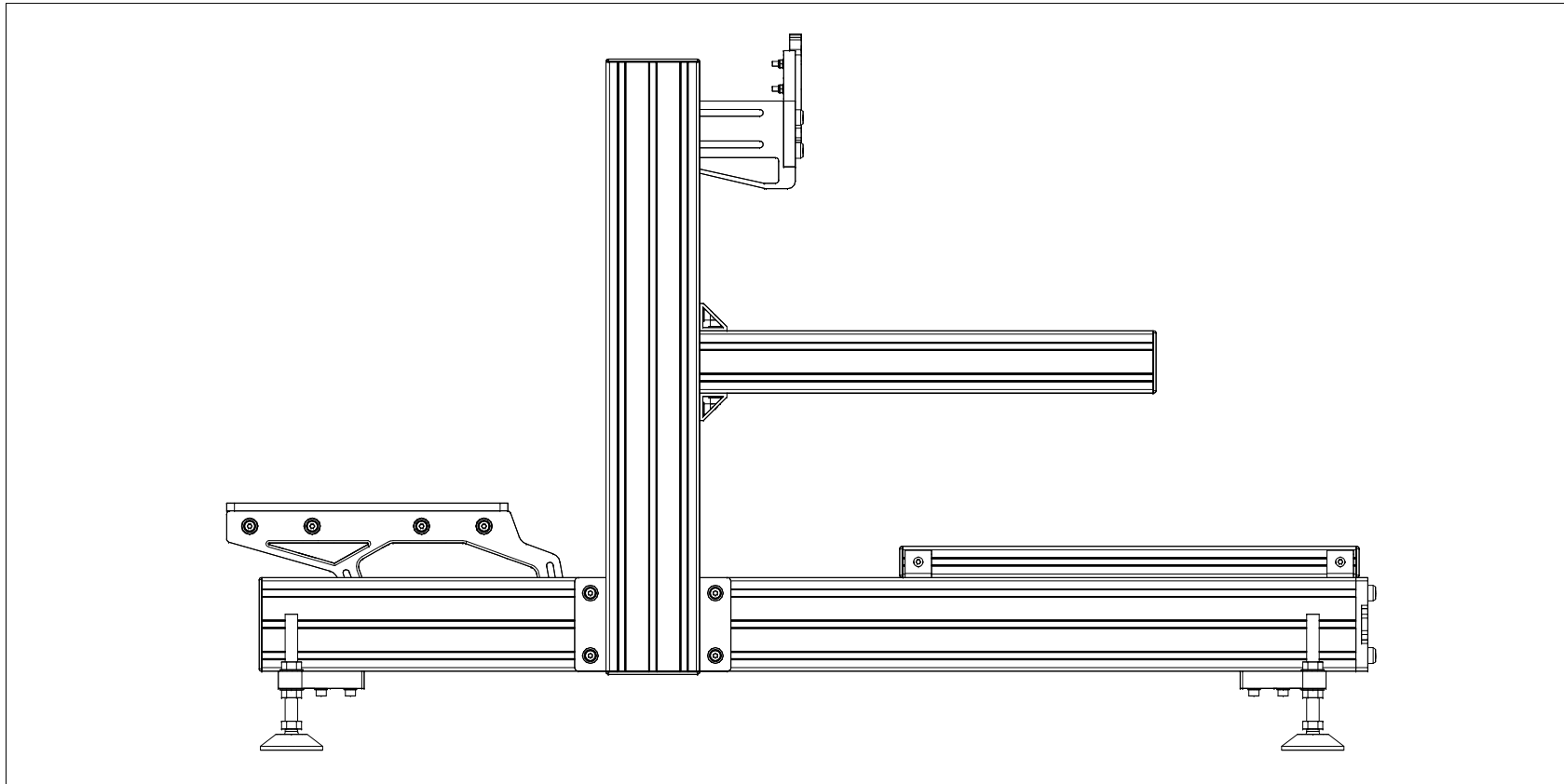
M8 x20mm x 8



Level Feet x 4

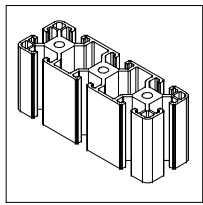


M8 x 64

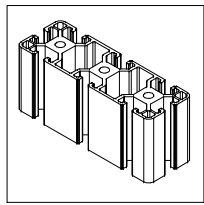


M8 X 12

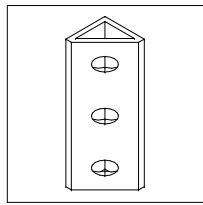
# XI-VIPER Structure . Main Frame



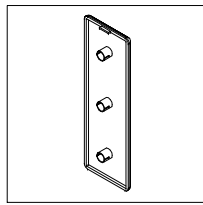
1400mm x 2



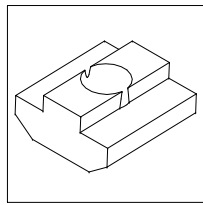
500mm x 2



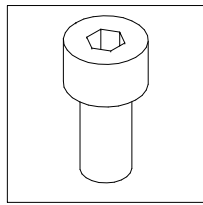
x 4



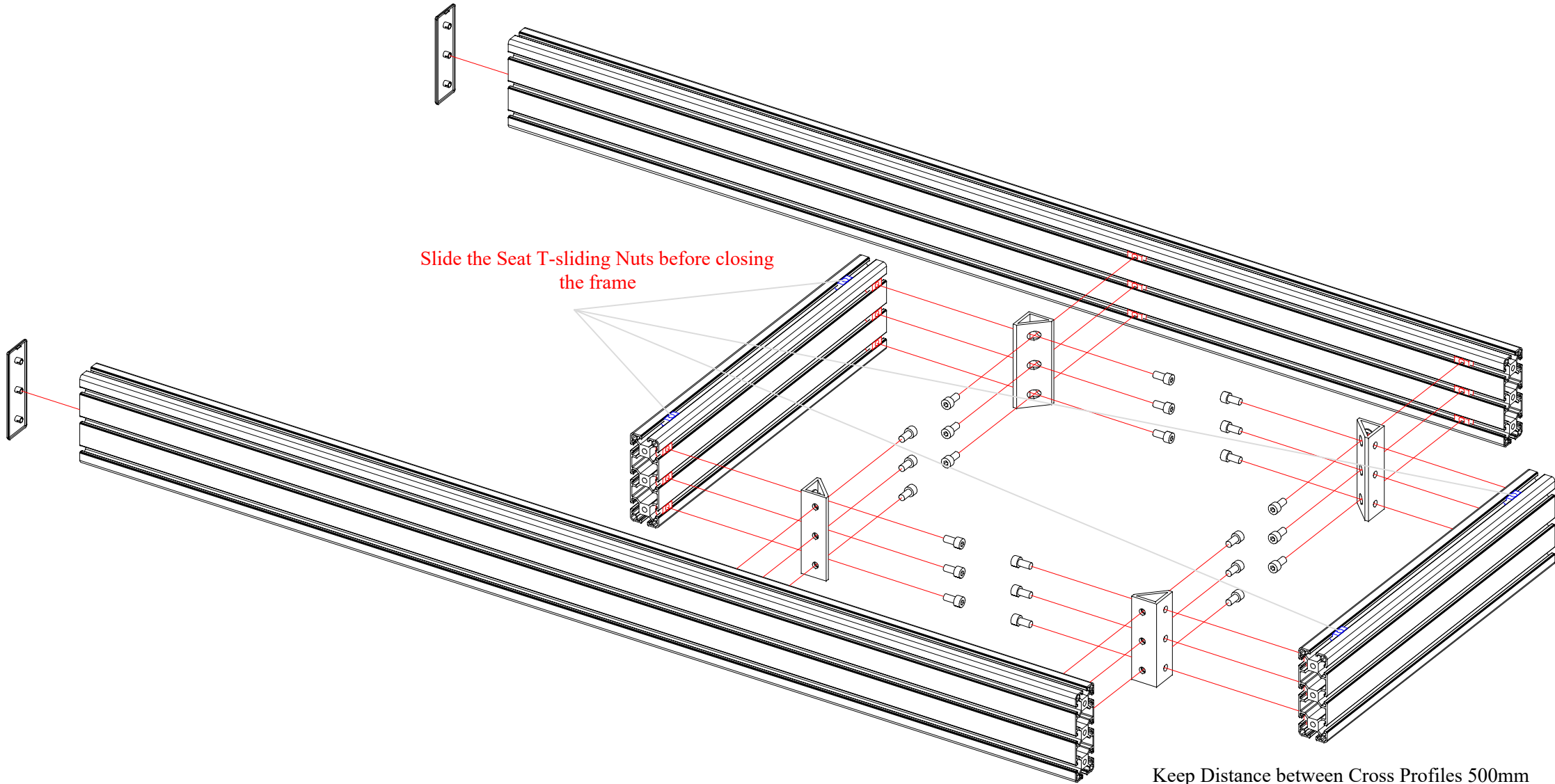
x 2



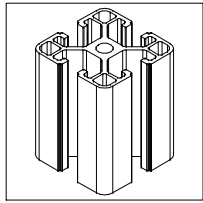
M8 x 24



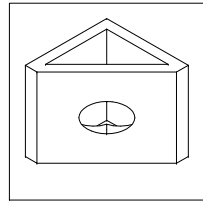
M8 x 16mm x 24



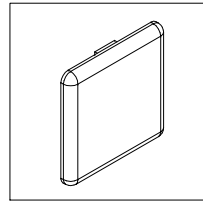
# XI-VIPER Structure . Seat Profiles



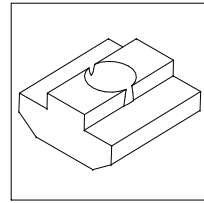
580mm x 2



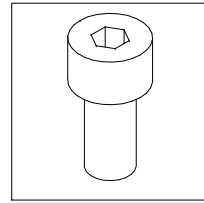
x 4



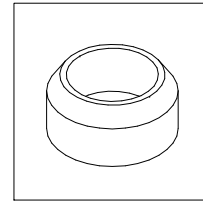
x 4



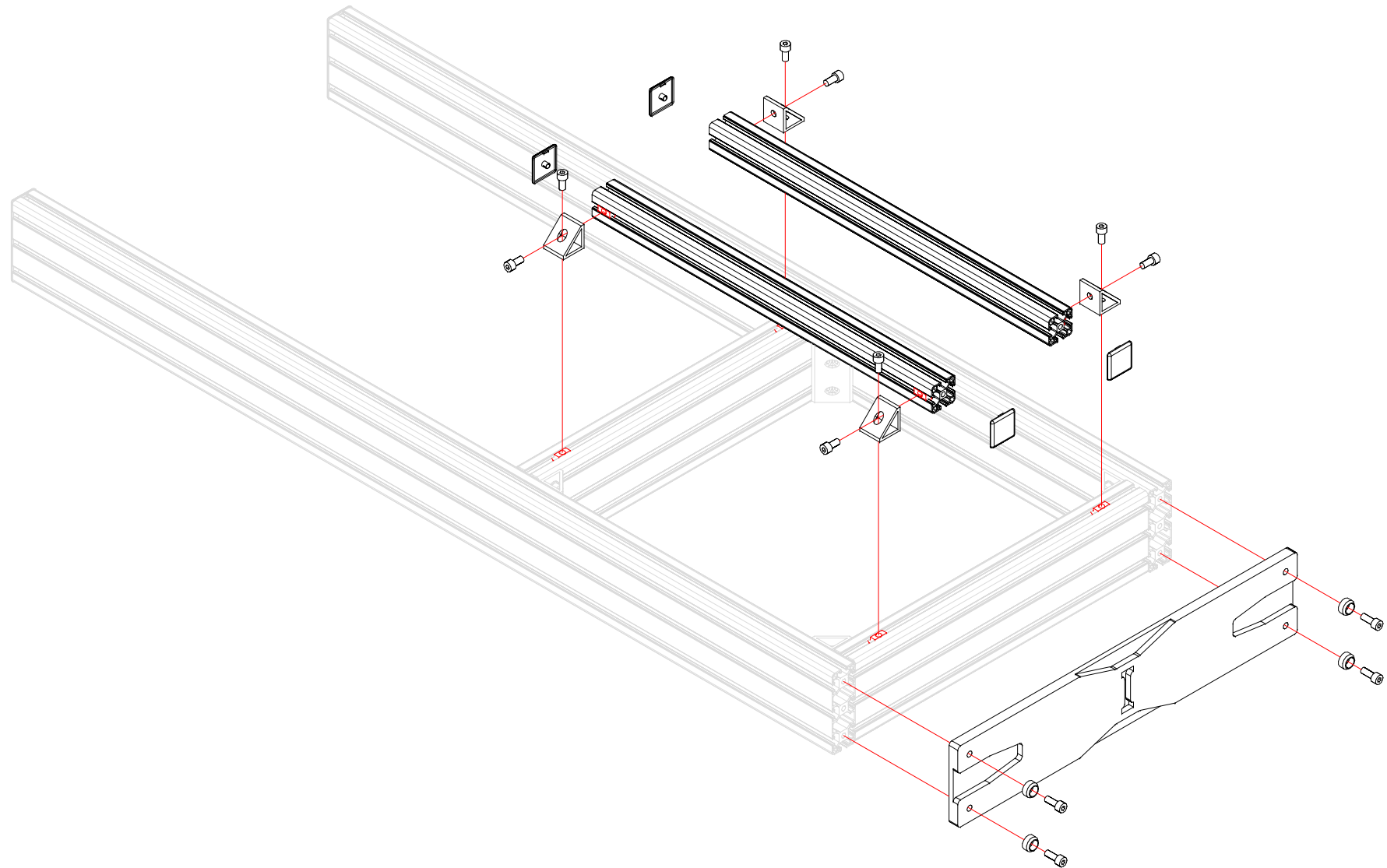
M8 x 8



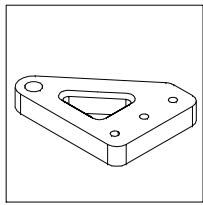
M8 x 16mm x 8



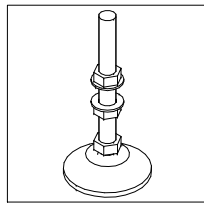
M8 x 4



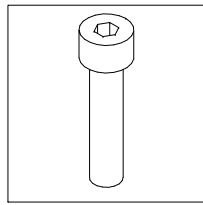
# XI-VIPER Structure . leveling feet



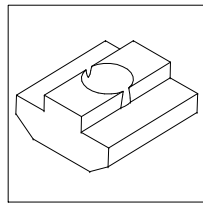
x 4



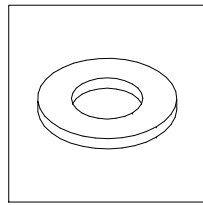
x 4



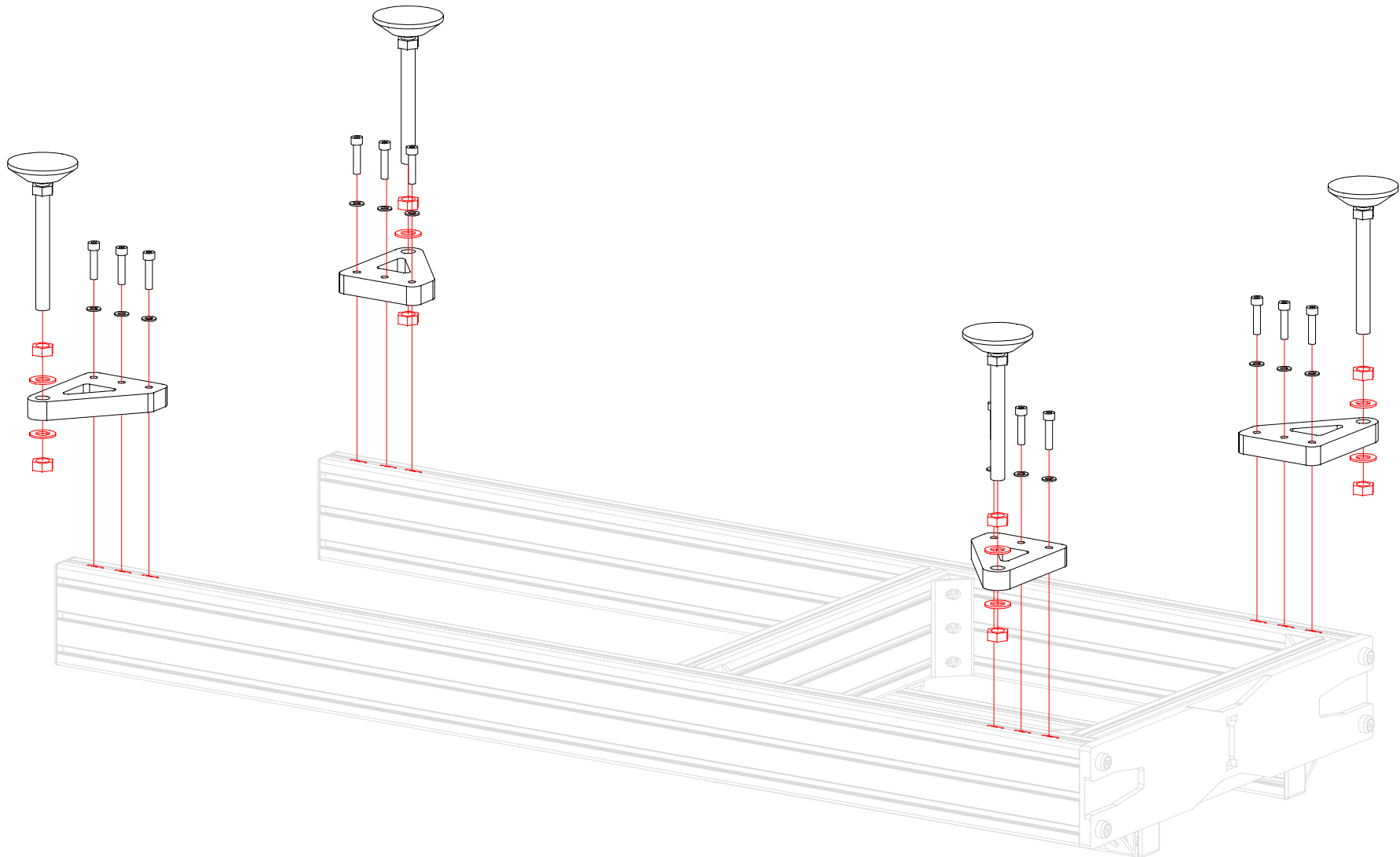
M8 x 30mm x 12



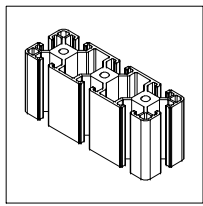
M8 x 12



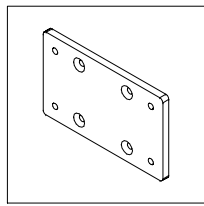
M8 x 12



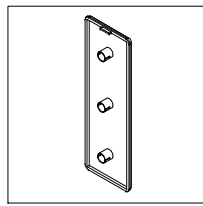
# XI-VIPER Structure . Sandwich Plate



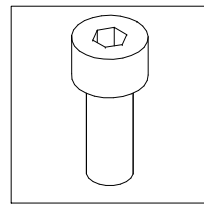
780mm x 2



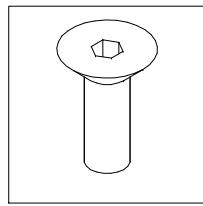
x 2



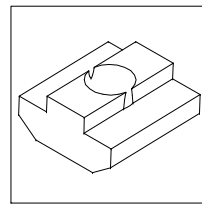
x 4



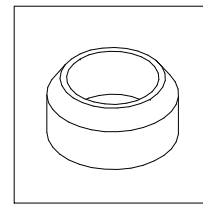
M8 x20mm x 8



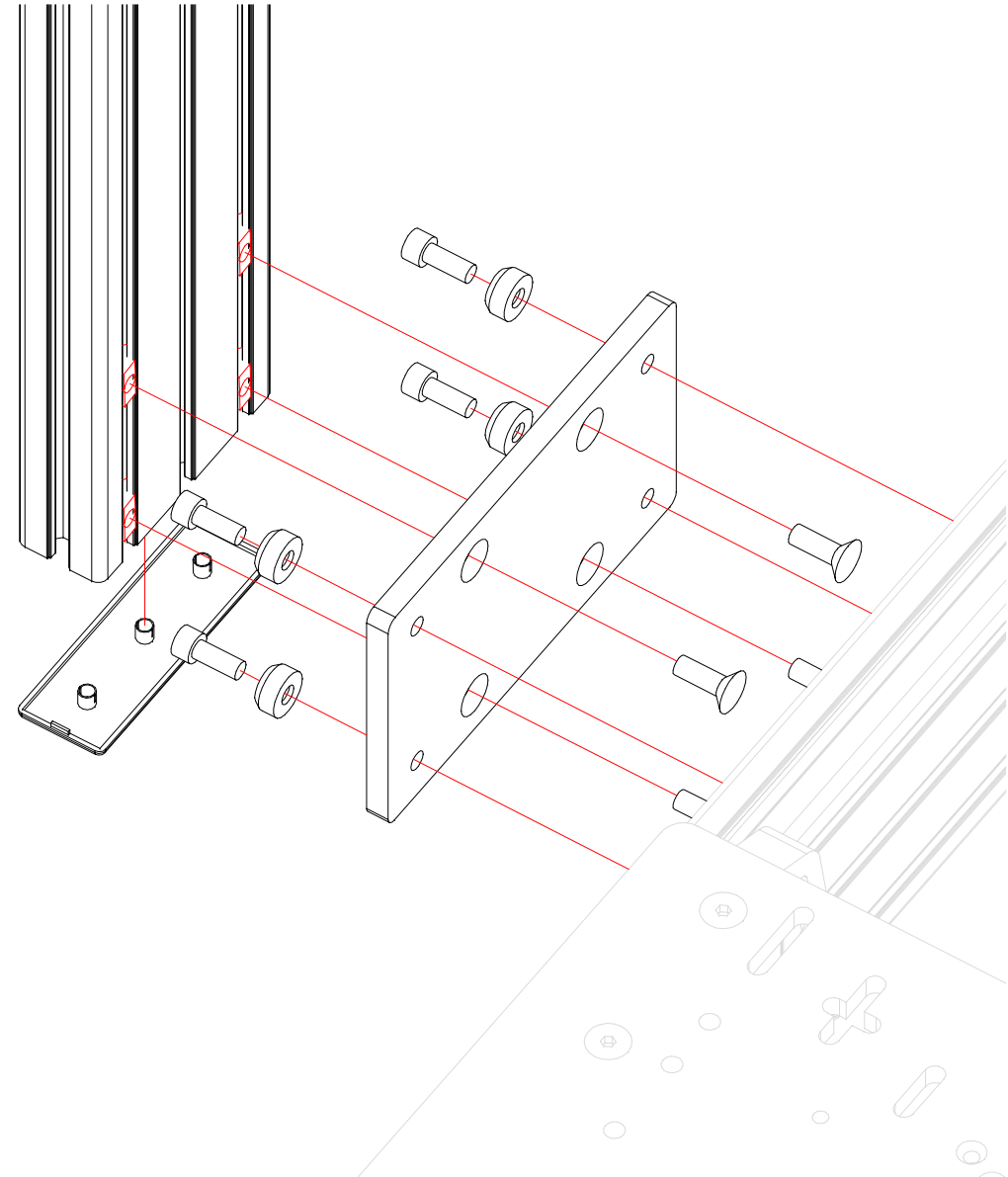
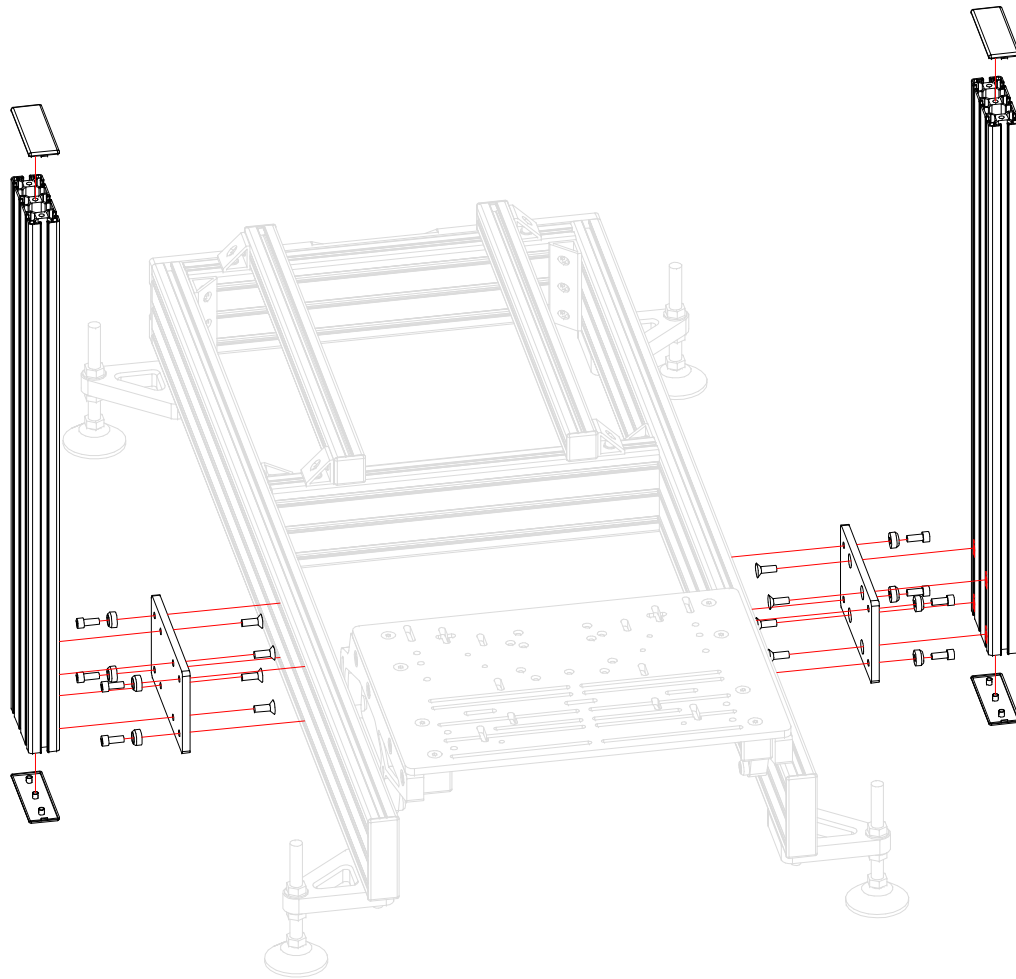
M8 x20mm x 8



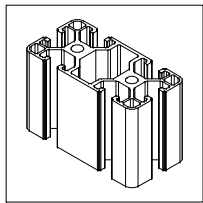
M8 x 16



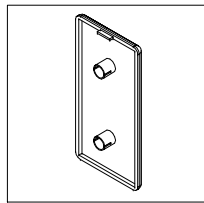
M8 x 8



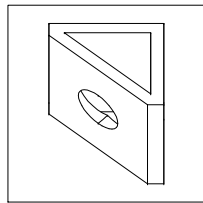
# XI-VIPER Structure . Side Arm



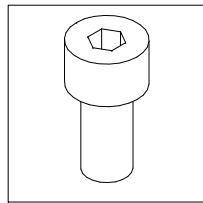
580mm x 1



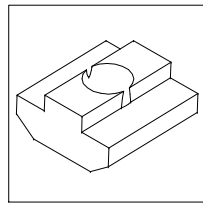
x 1



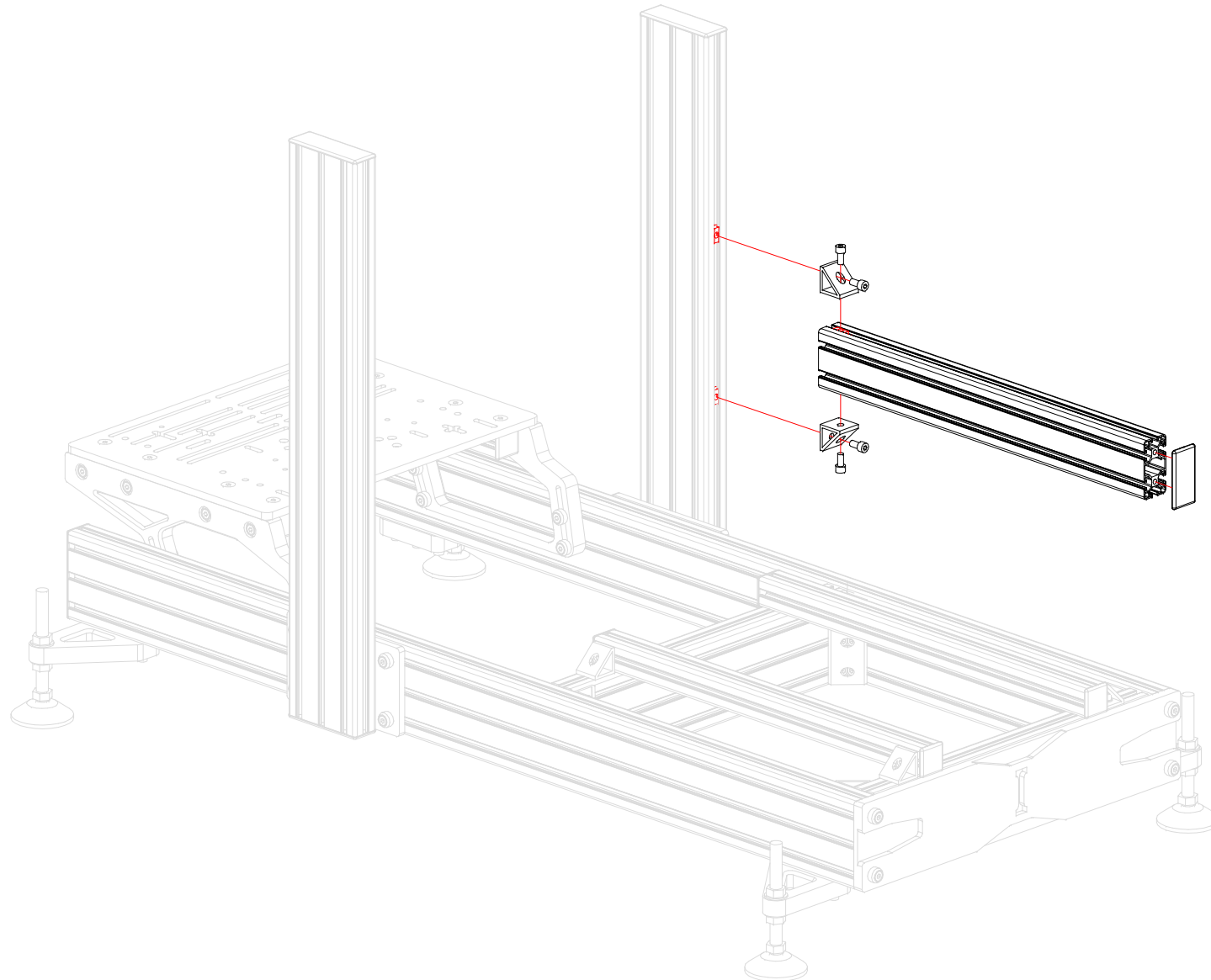
x 2



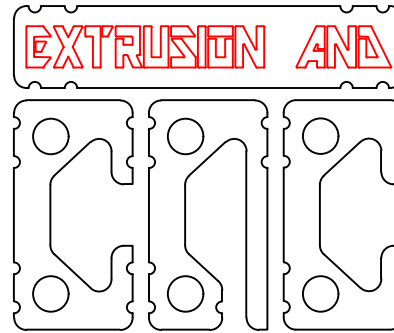
M8 X 16mm x 4



M8 x 4







If you still have some questions regarding assembly of this product or about the manual itself, please refer to our support department. They can be reached at

[support@extrusionandcnc.com](mailto:support@extrusionandcnc.com)

whatsapp: +971506580398