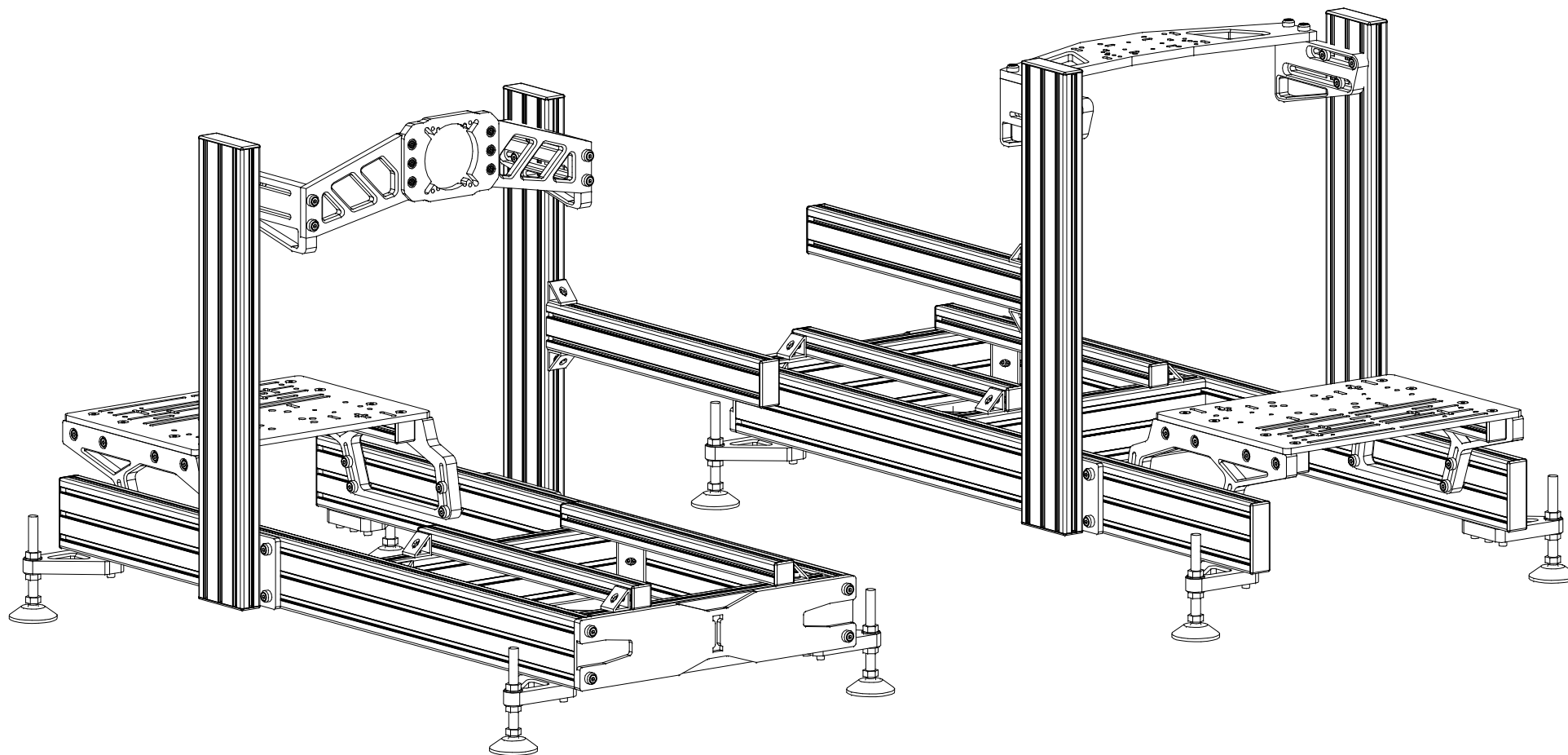
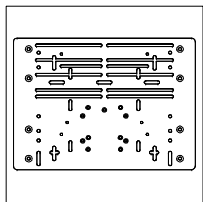
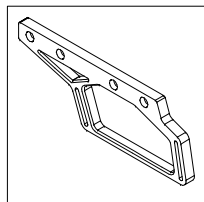


# X1-VIPER Instruction manual Pedal

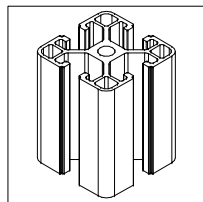




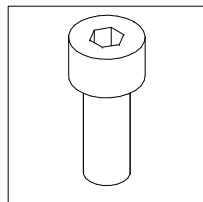
x 1



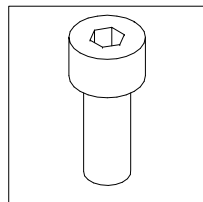
L & R x 2



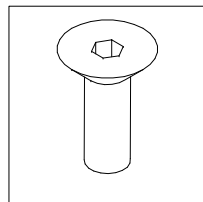
320mm x 2



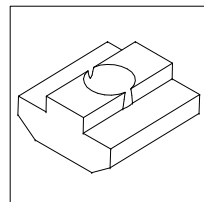
M8 x30mm x 4



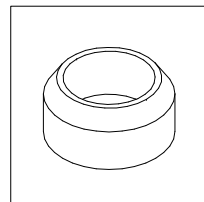
M8 x20mm x 8



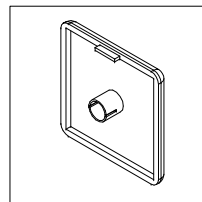
M8 x20mm x 8



M8 x 4

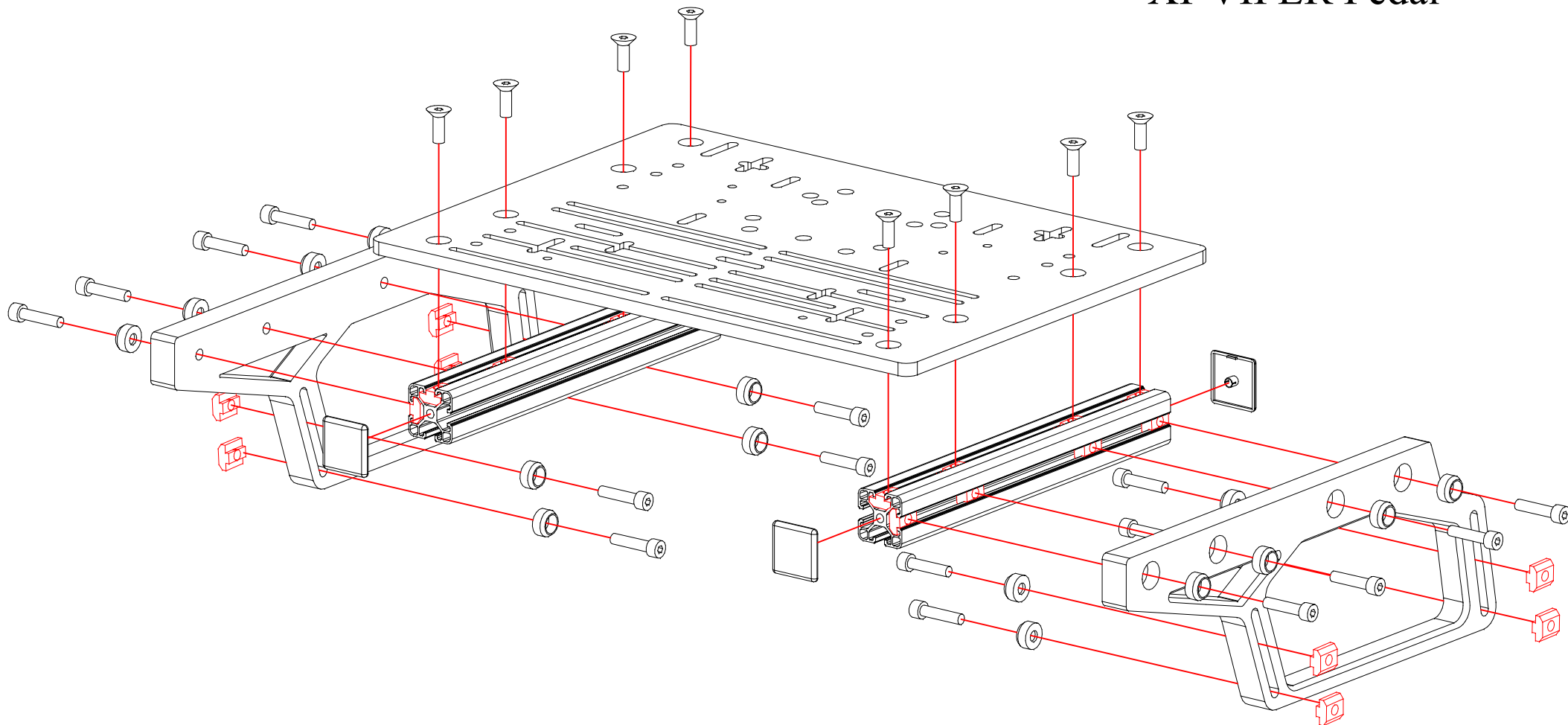


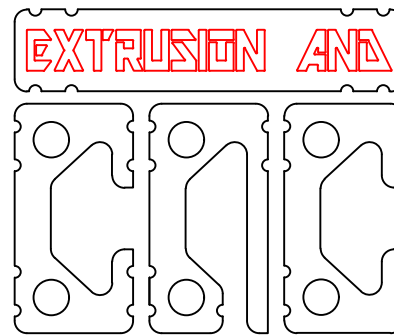
M8 x 16



x 4

# XI-VIPER Pedal





If you still have some questions regarding assembly of this product or about the manual itself please refer to our support department. They can be reached at

[support@extrusionandcnc.com](mailto:support@extrusionandcnc.com)

whatsapp: +971506580398