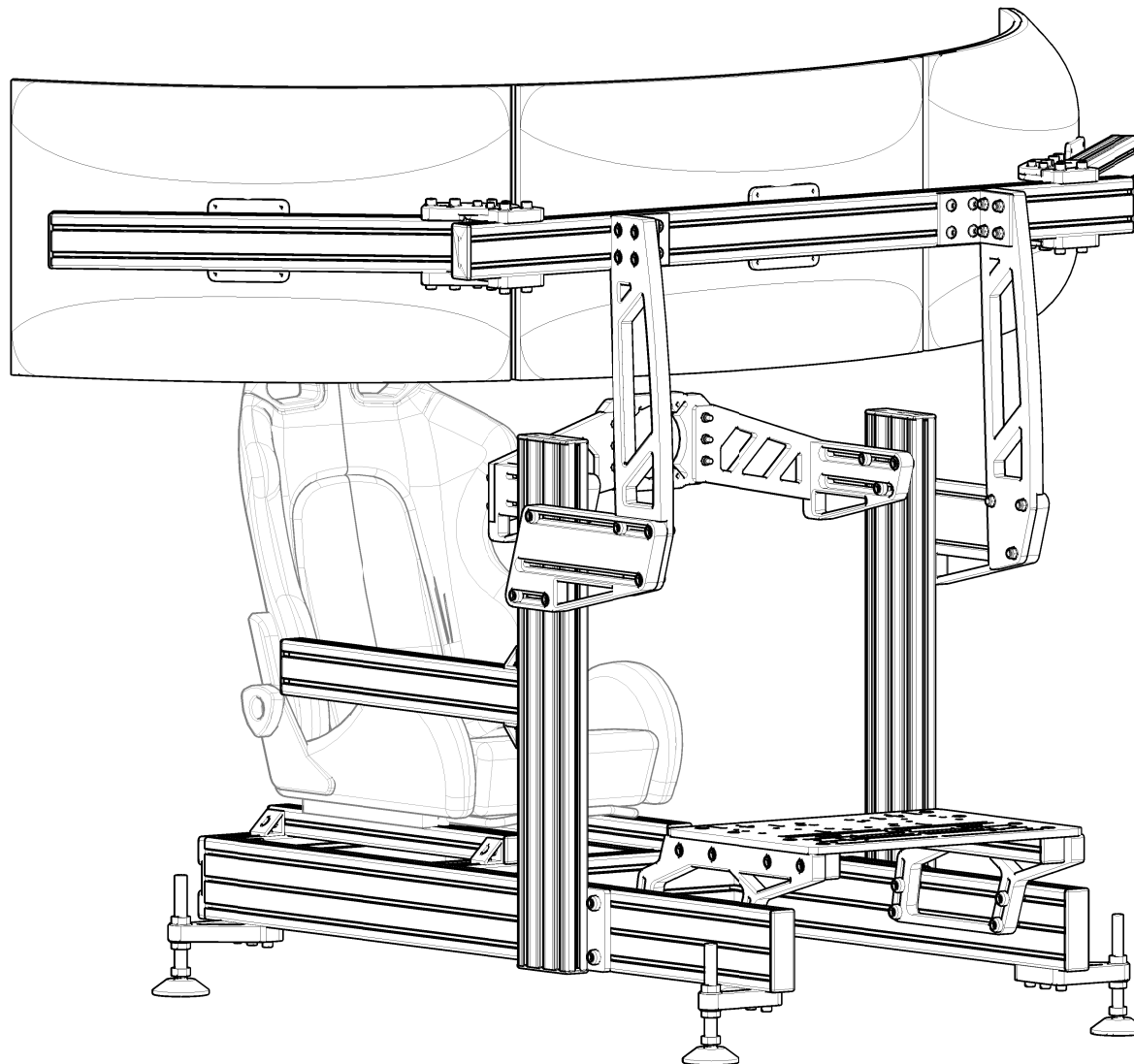
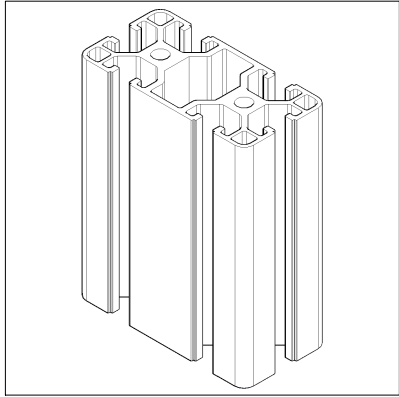


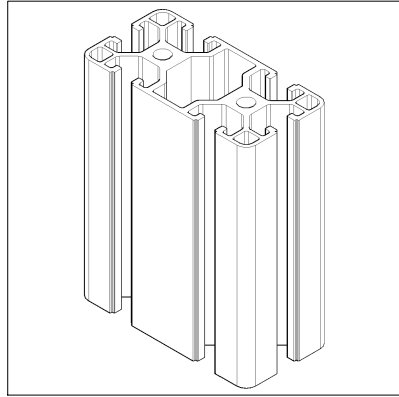
X1 - INFINITI Instruction manual



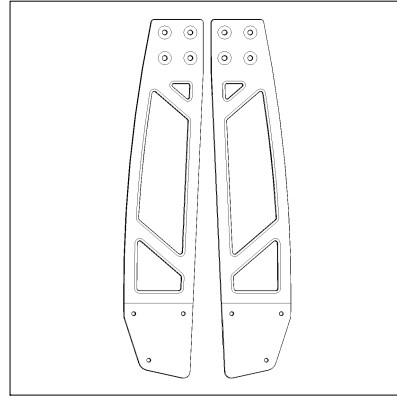
Package Includes



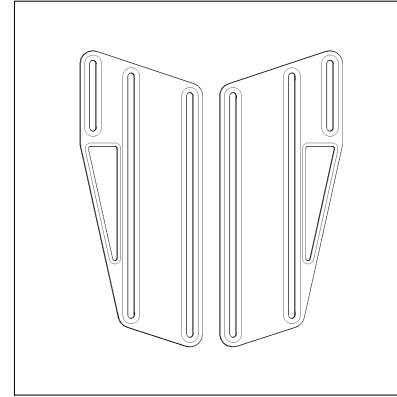
1220mm x 1



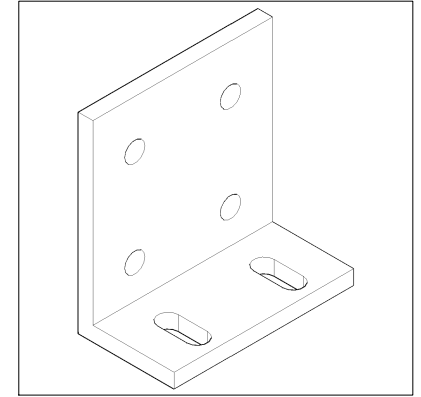
600mm x 2



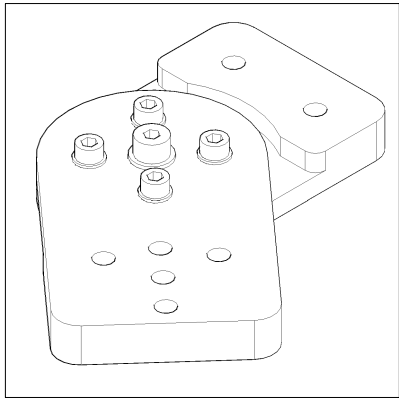
x 2



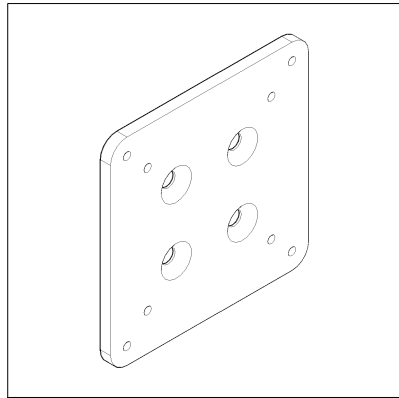
x 2



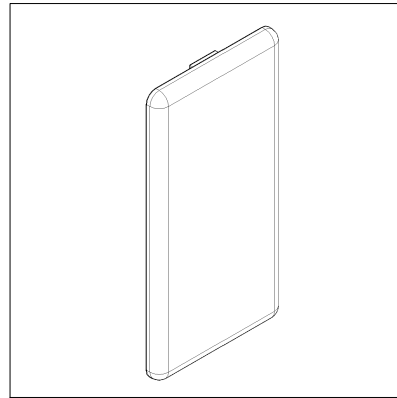
x 2



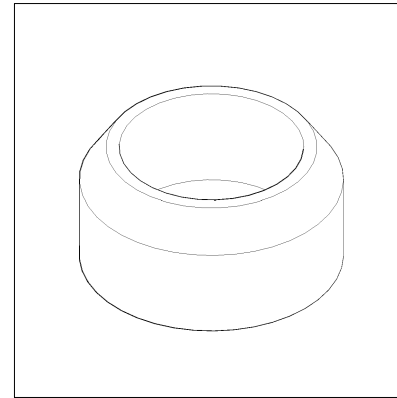
x 4



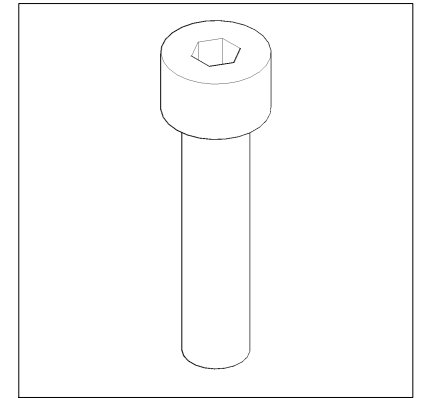
x 3



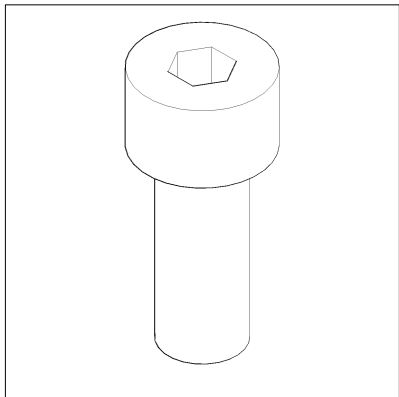
x 6



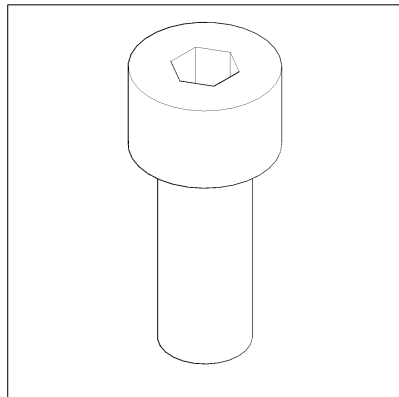
M8 x 16



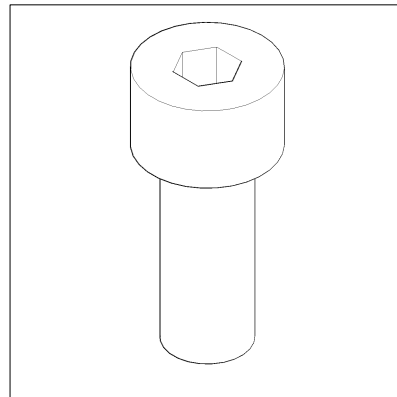
M8 x 30mm x 6



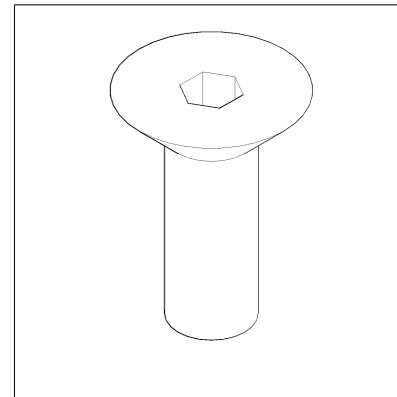
M8 x 25mm x 24



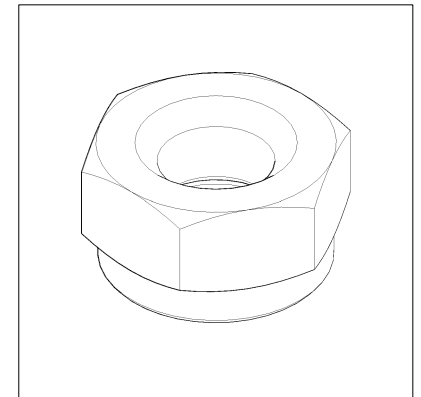
M8x 20mm x 6



M8x 16mm x 8

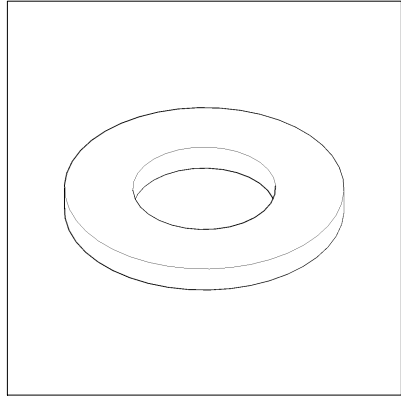


M8x 16mm x 12

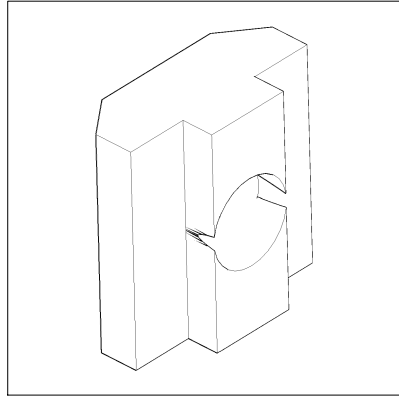


M8 x 14

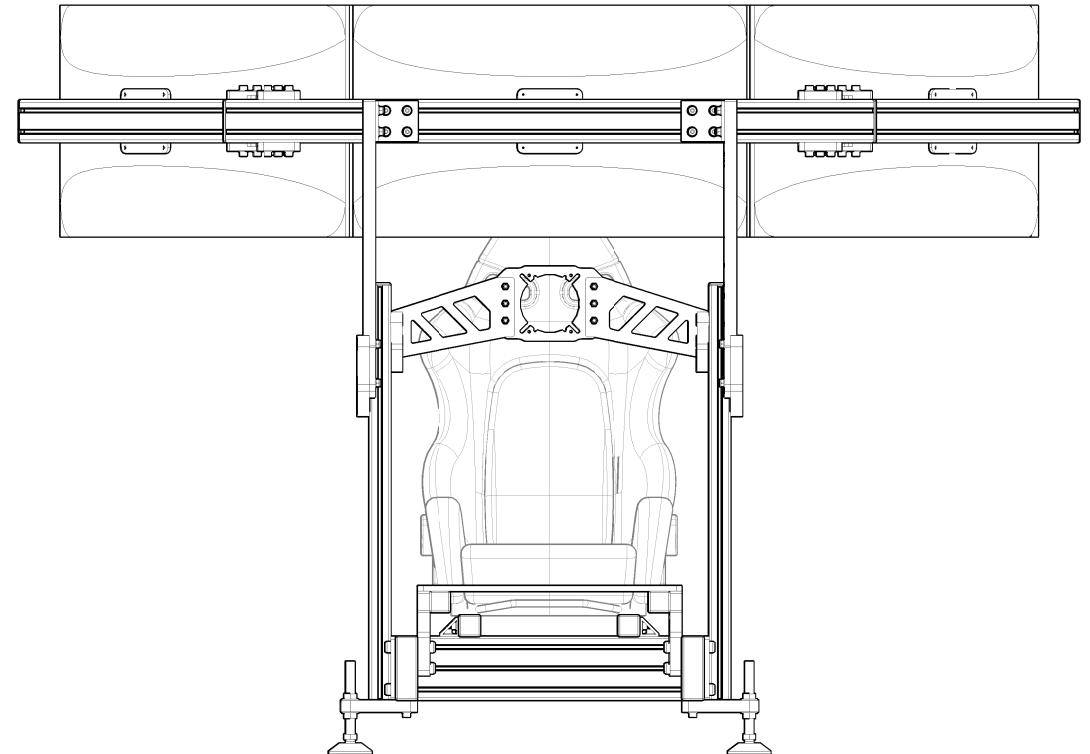
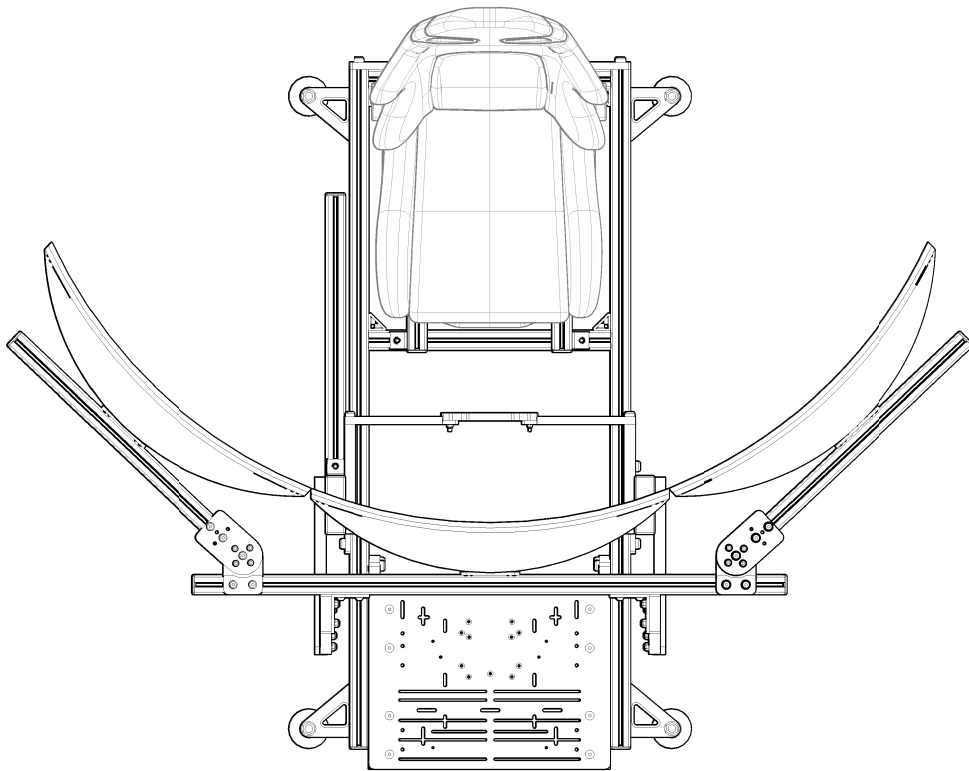
Package Includes

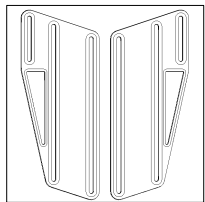


M8 x 38

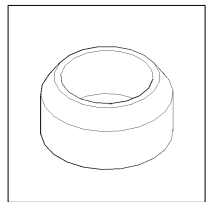


M8 x 42

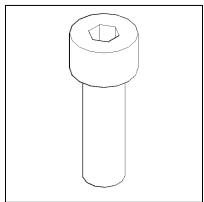




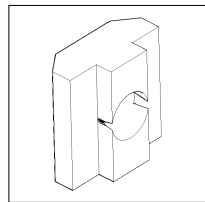
x 2



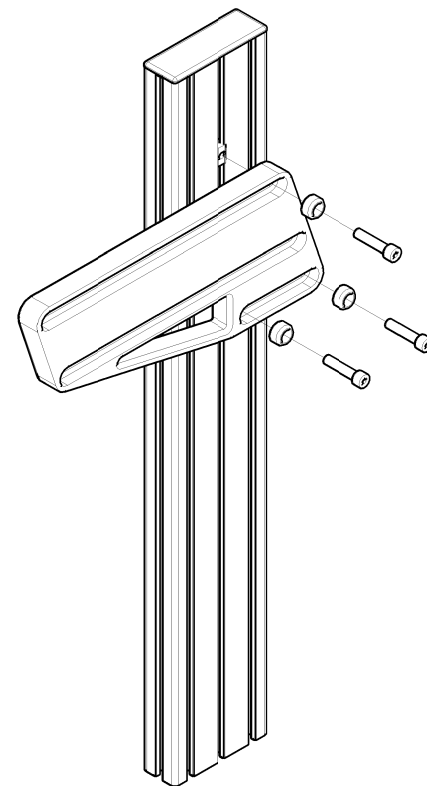
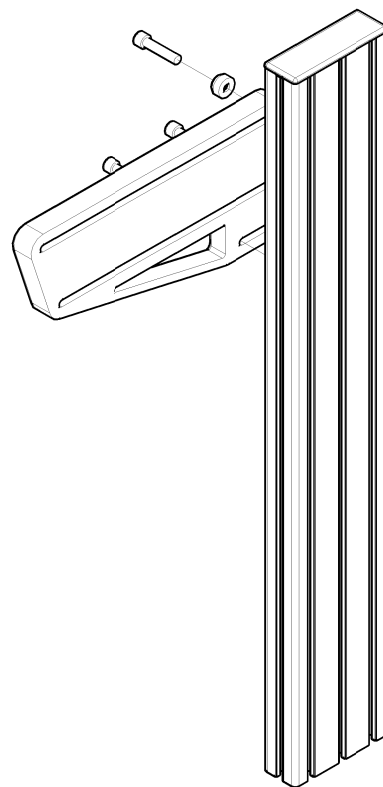
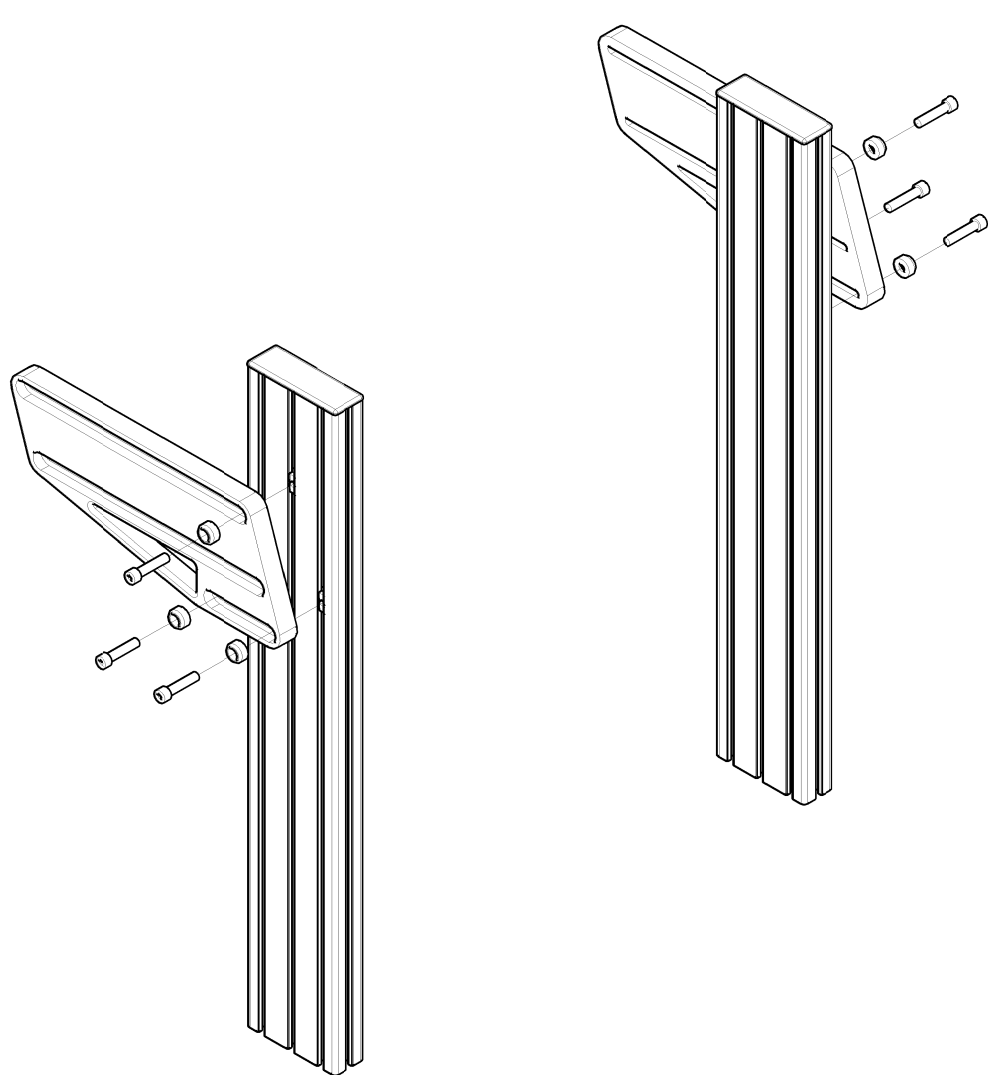
x 6

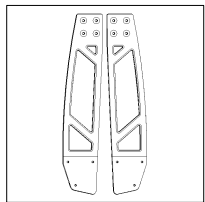


M8 x 20mm x 6

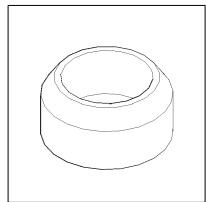


M8 x 6

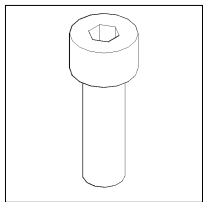




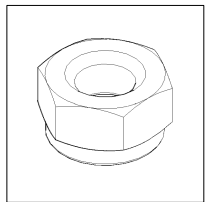
x 2



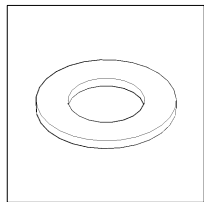
x 6



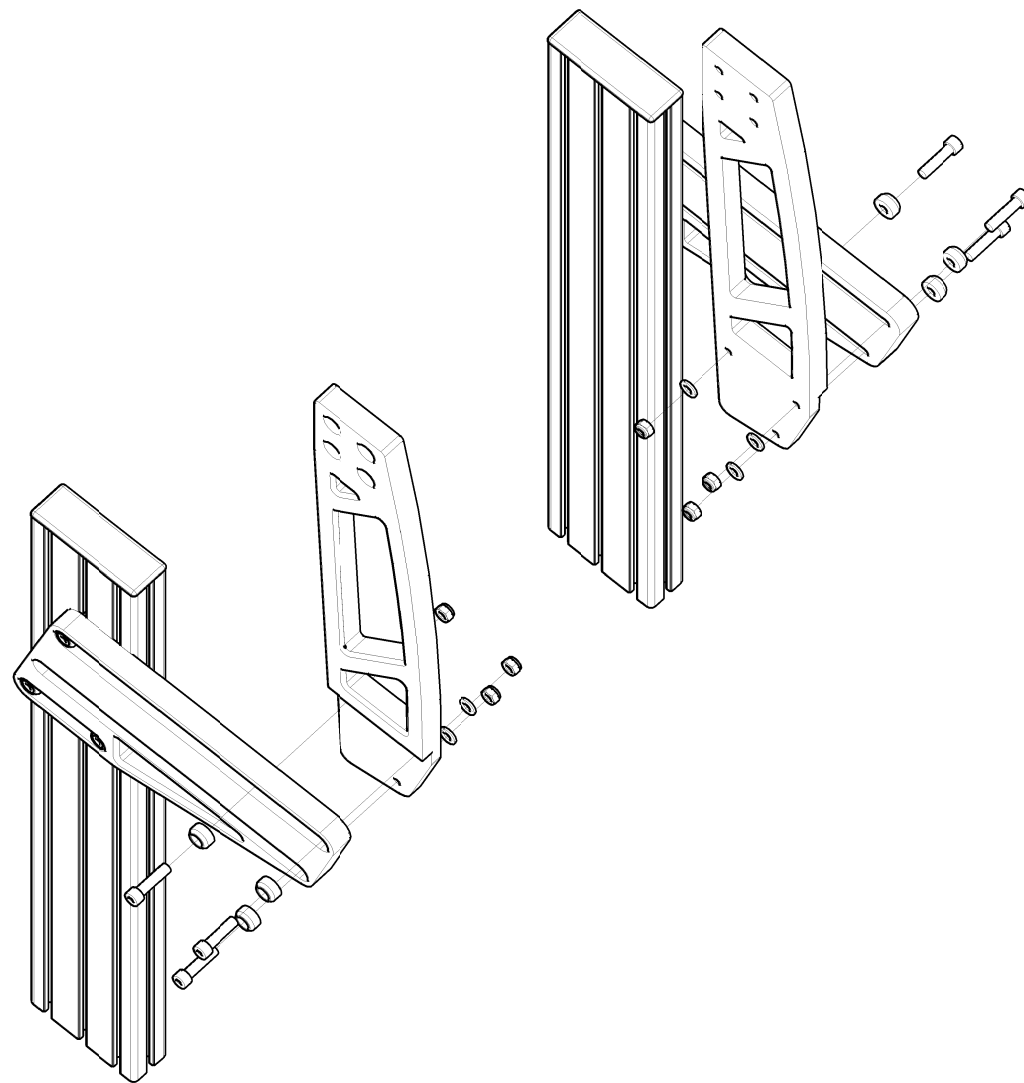
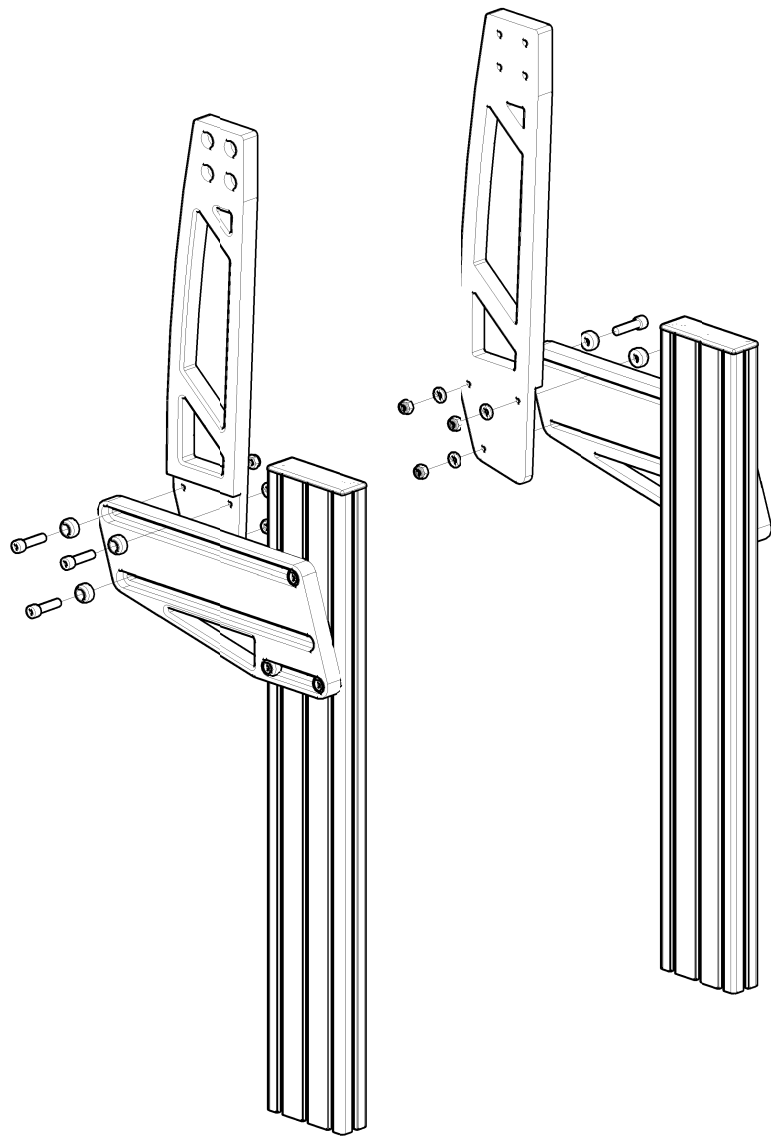
M8 x 30mmx 6

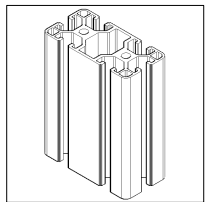


M8 x 6

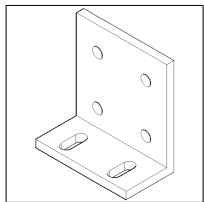


M8 x 6

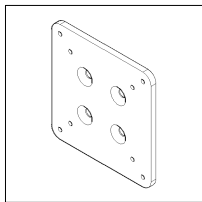




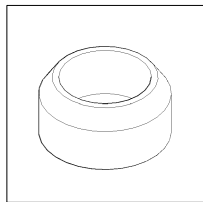
1220mm x 1



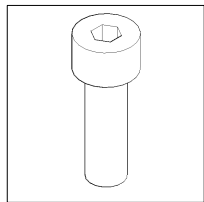
x 2



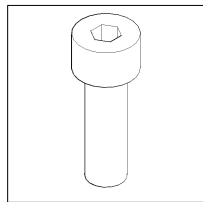
x 1



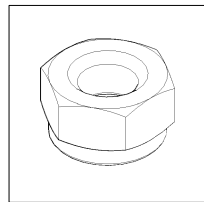
x 8



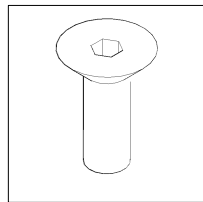
M8 x 25mm x 8



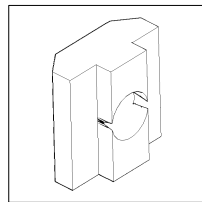
M8 x 16mm x 16



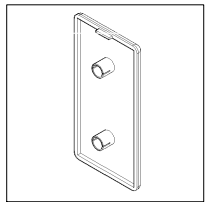
M8 x 8



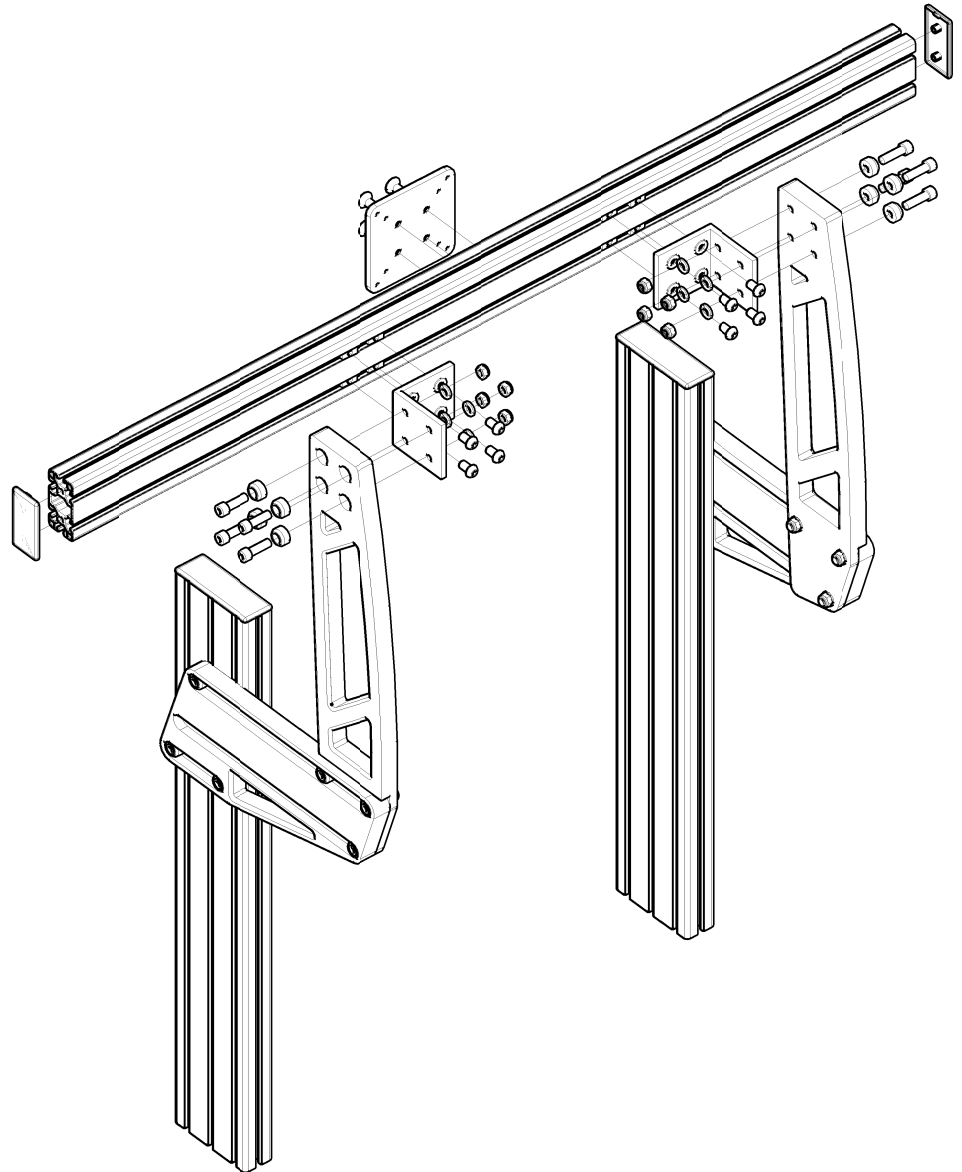
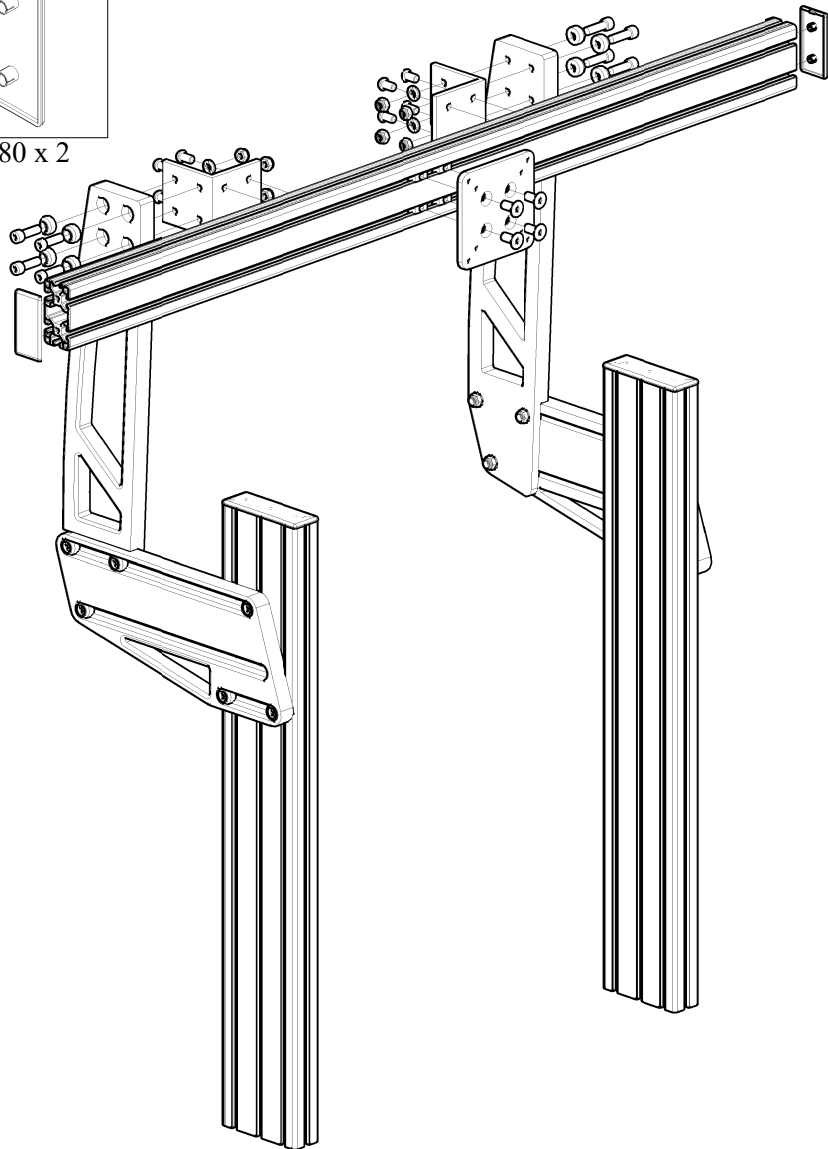
M8 x 16mm x 4

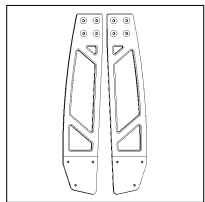


M8 x 12

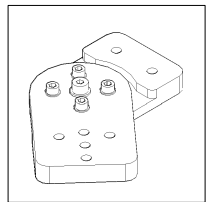


4080 x 2

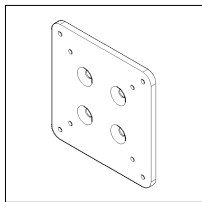




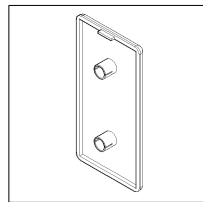
x 2



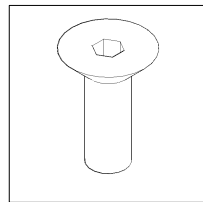
x 4



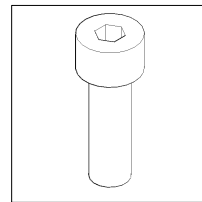
x 2



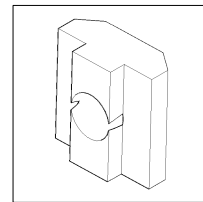
4080 x 4



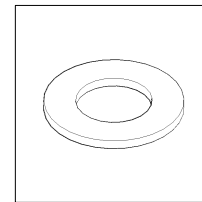
M8 x 16mm x 8



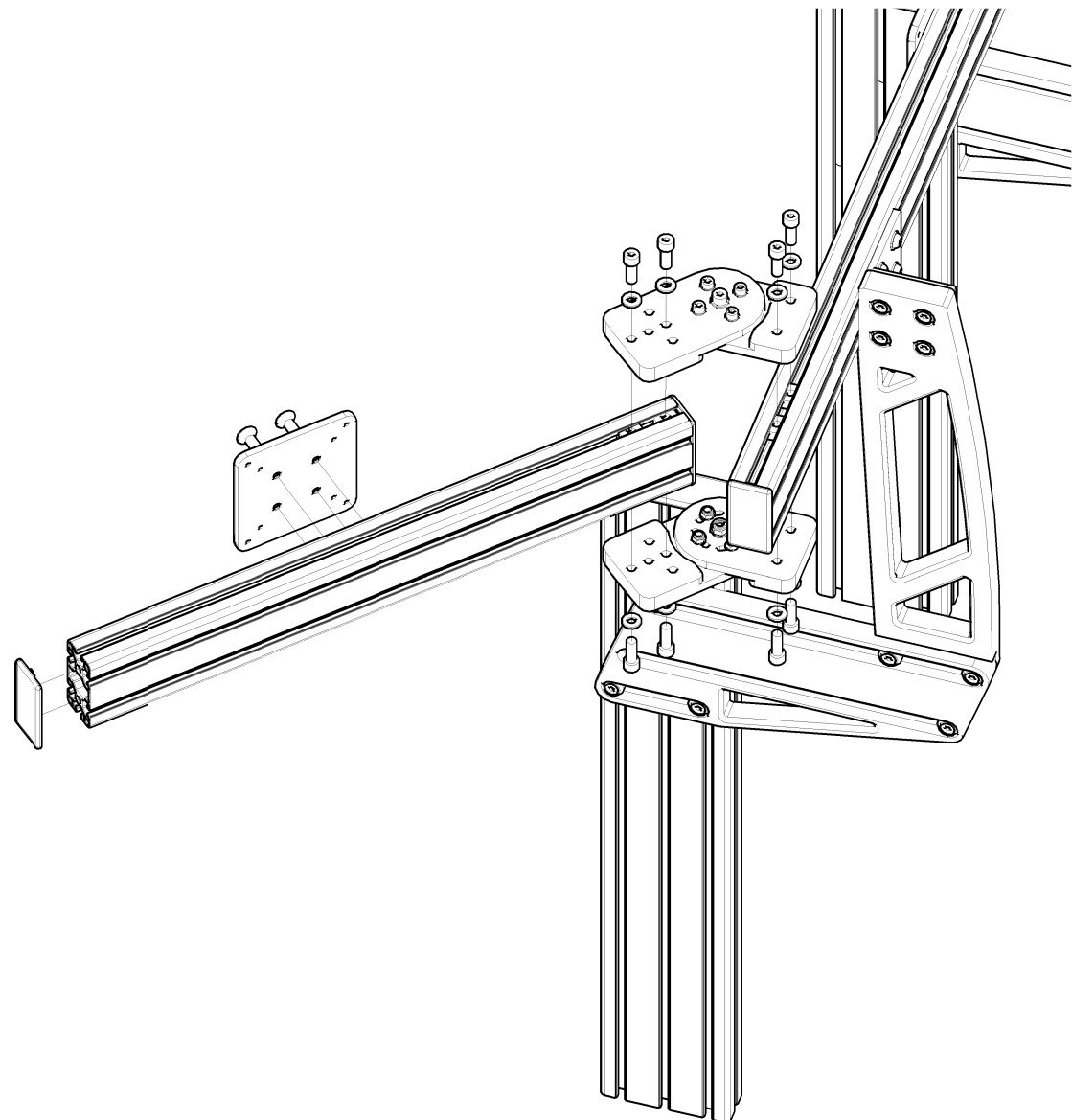
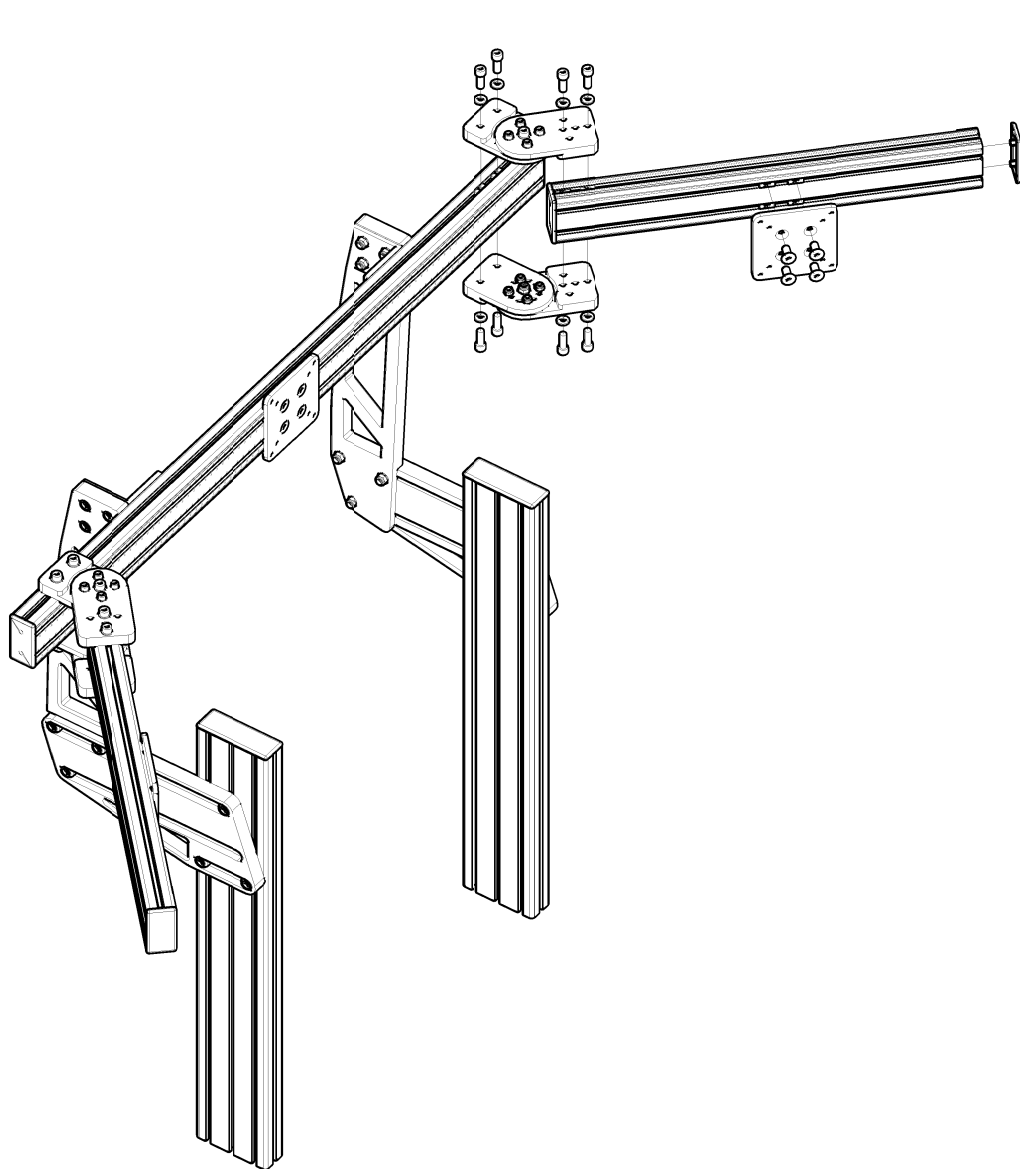
M8 x 25mmx 16

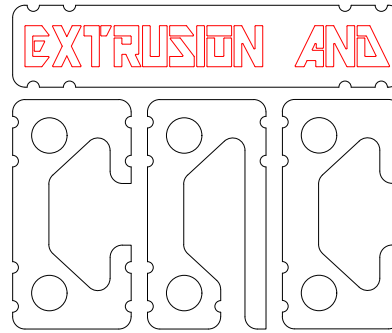


M8 x 16



M8 x 16





If you still have some questions regarding assembly of this product or about the manual itself, please refer to our support department. They can be reached at

support@extrusionandcnc.com

whatsapp: +971506580398