

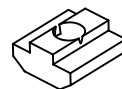
x 4



M8 x 25mm x 4



M8 x 20mm x 4



M8 x 6

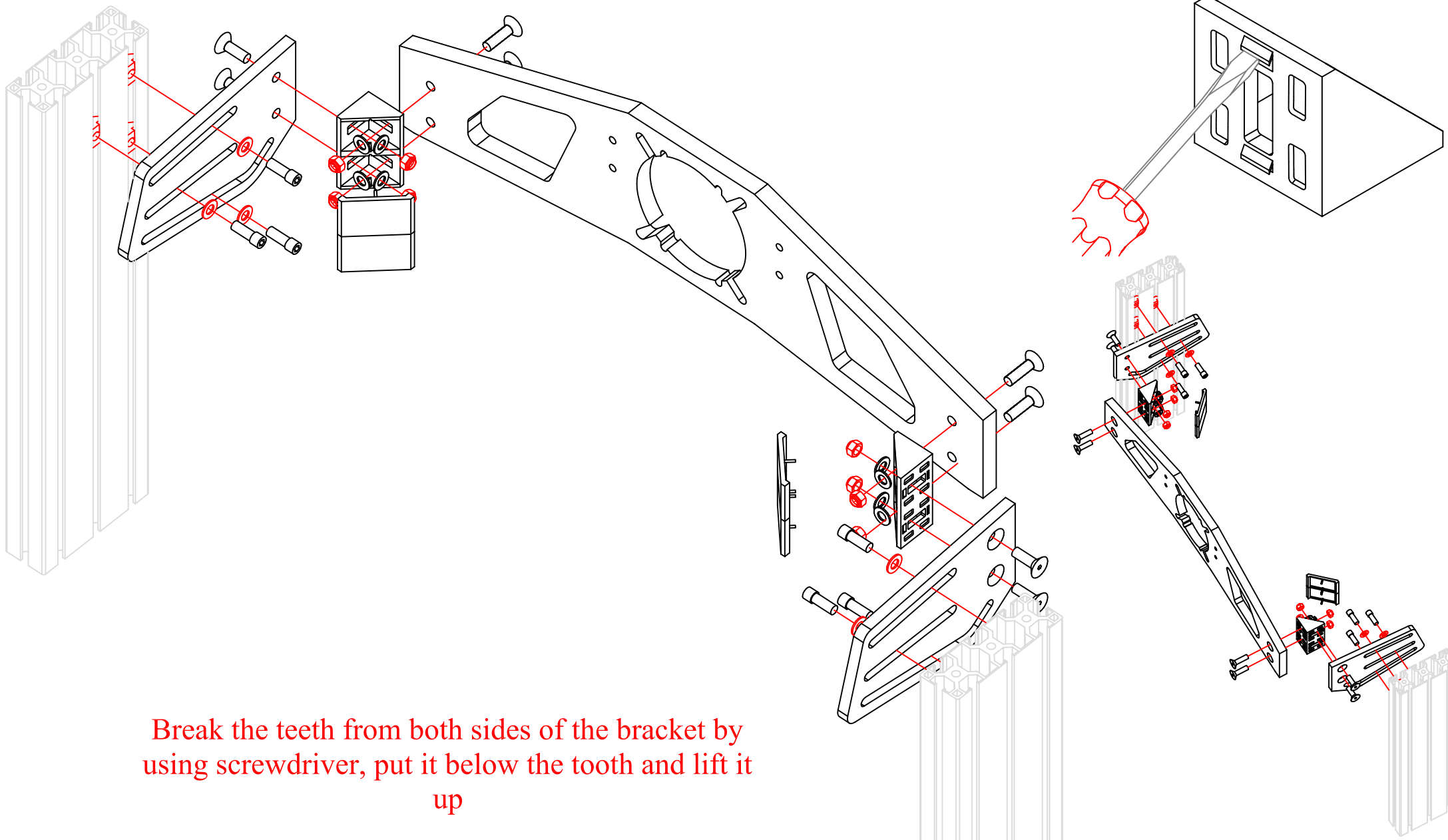


M8 x 20mm x 6

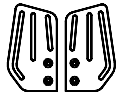


M8 x 8

M8 x 14



Break the teeth from both sides of the bracket by using screwdriver, put it below the tooth and lift it up



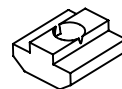
x 4



M8 x 25mm x 4



M8 x 20mm x 4



M8 x 6



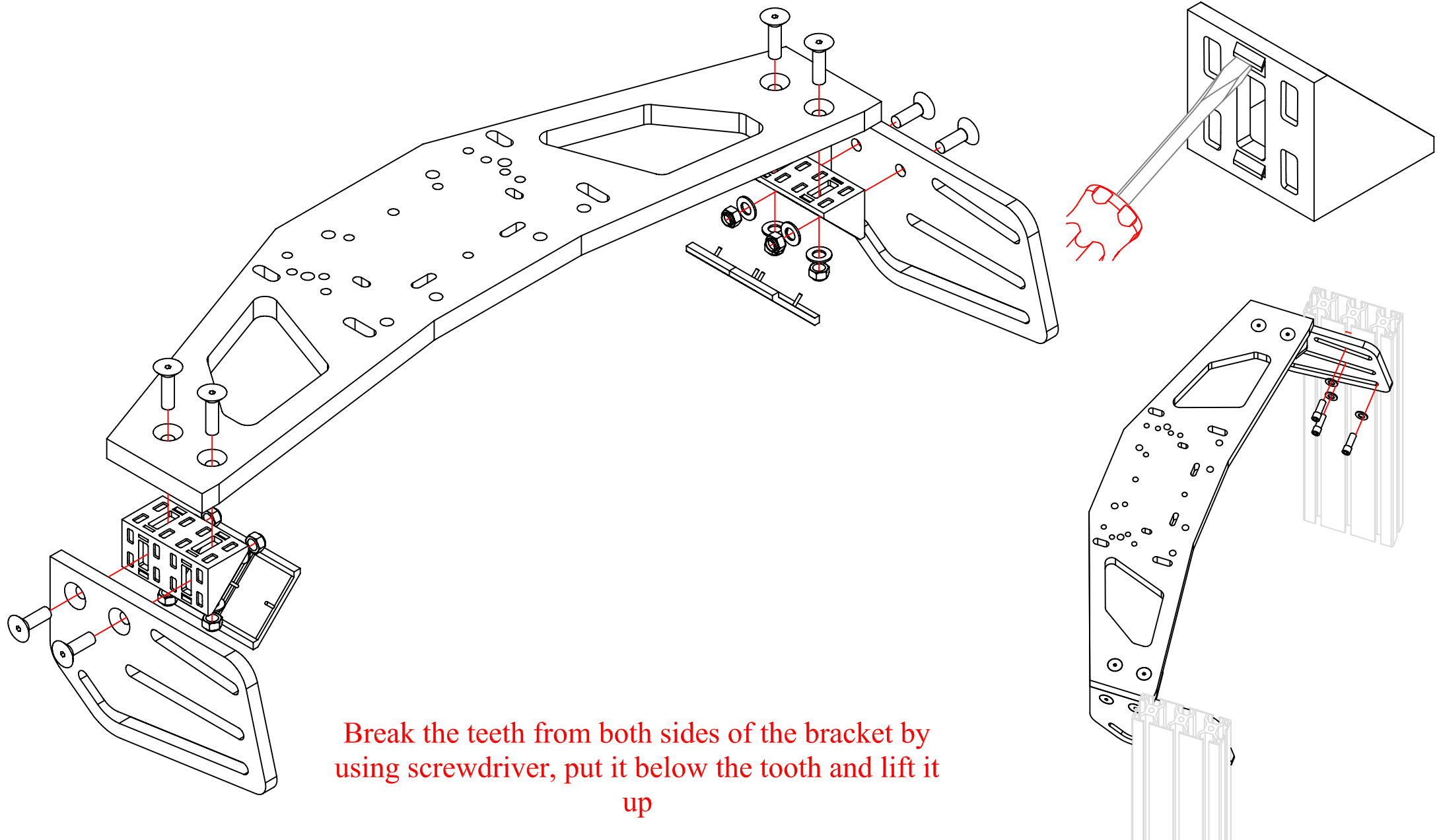
M8 x 20mm x 6



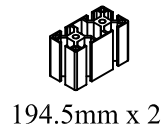
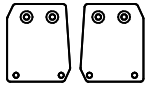
M8 x 8



M8 x 14



Break the teeth from both sides of the bracket by using screwdriver, put it below the tooth and lift it up



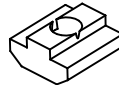
194.5mm x 2



M8 x 20mm x 8



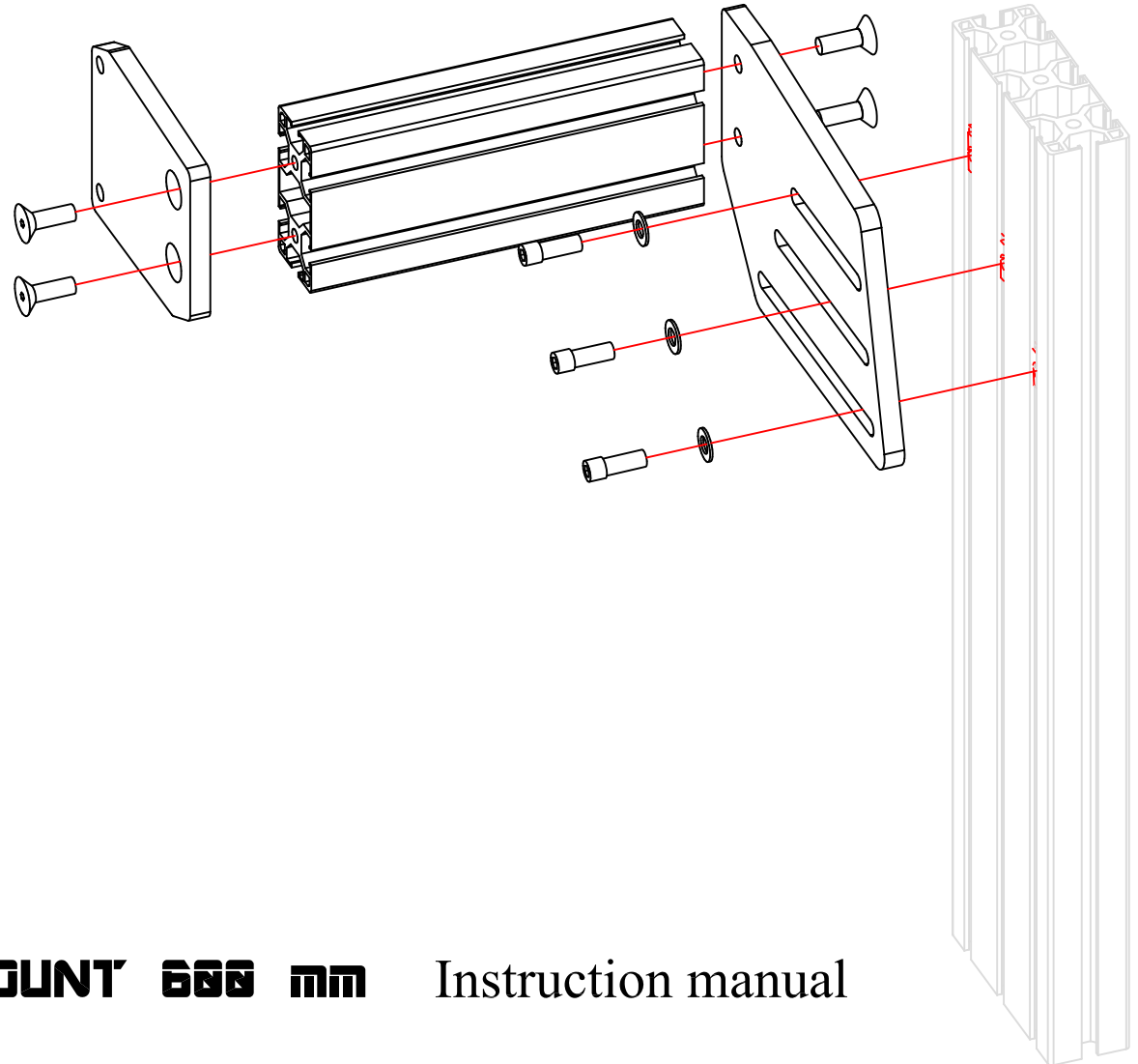
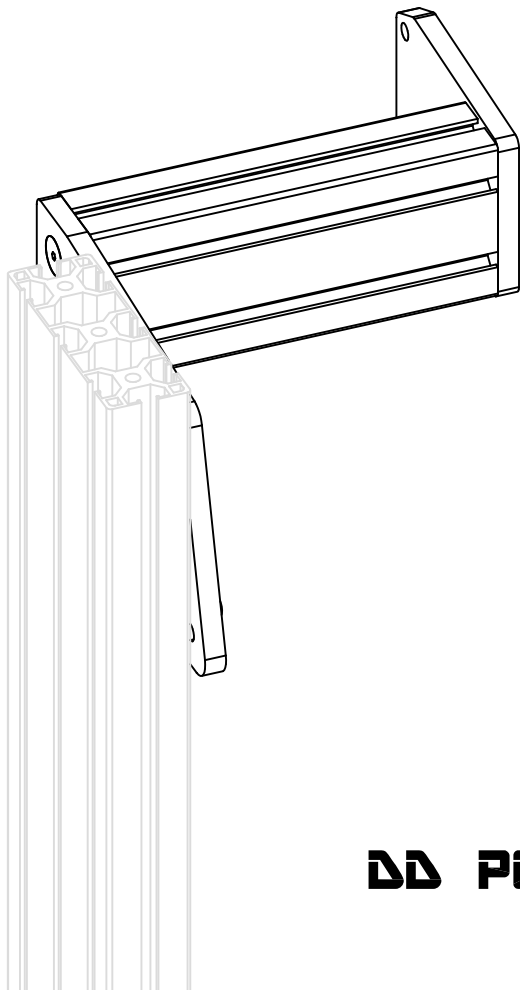
M8 x 20mm x 6



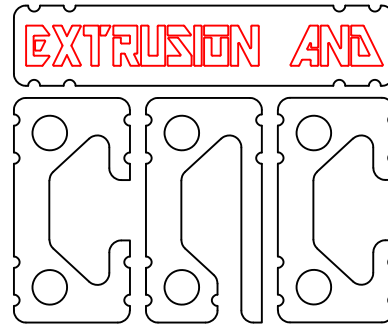
M8 x 6



M8 x 14



DD PODIUM MOUNT 600 mm Instruction manual



If you still have some questions regarding assembly of this product or about the manual itself, please refer to our support department. They can be reached at

support@extrusionandcnc.com

whatsapp: +971506580398