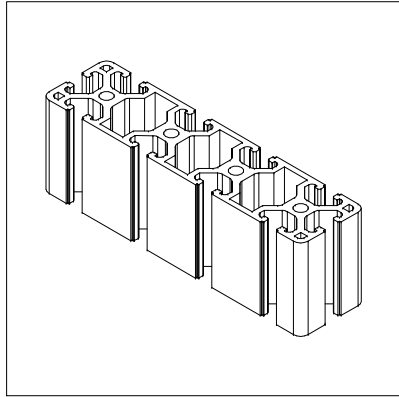
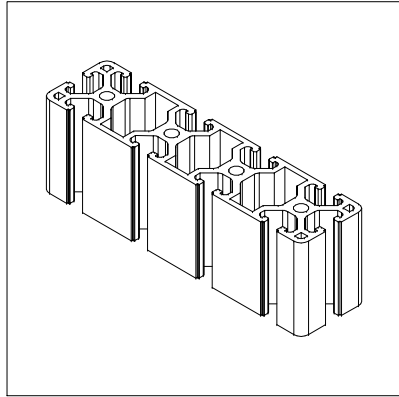


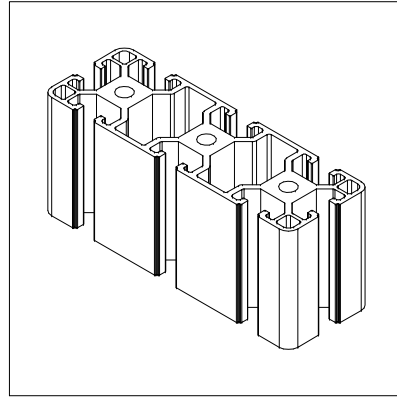
# Package Includes



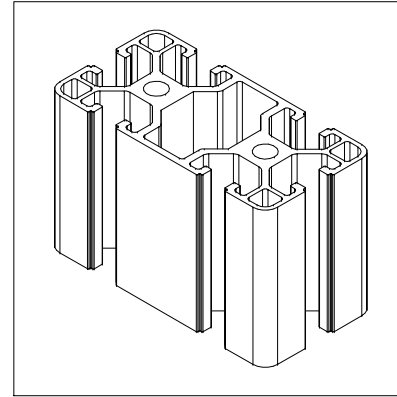
1400mm x 2



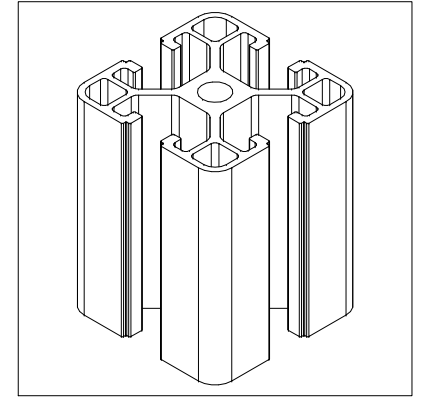
500mm x 2



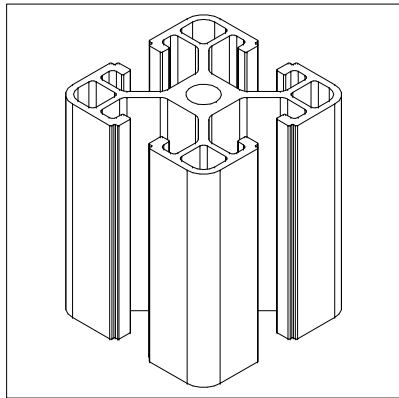
780mm x 2



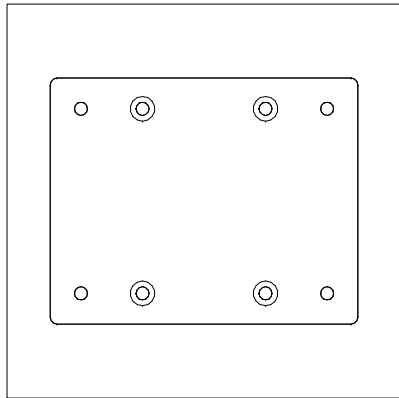
580mm x 1



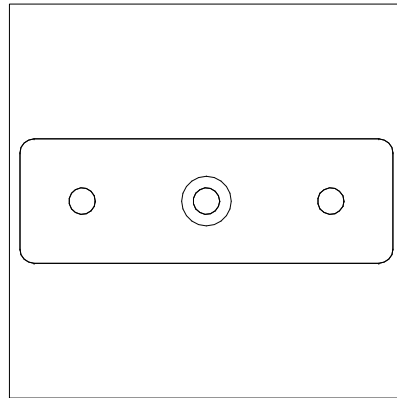
580mm x 2



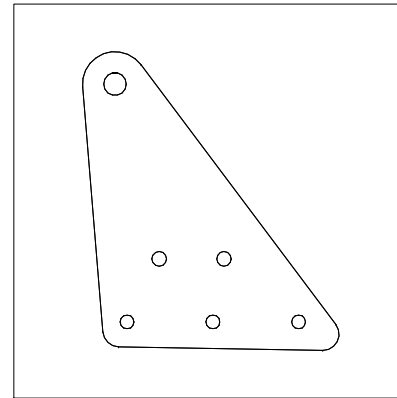
320mm x 1



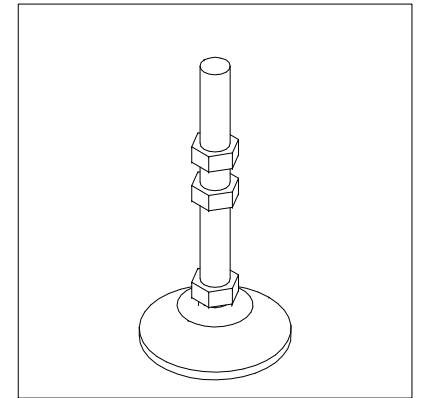
x 2



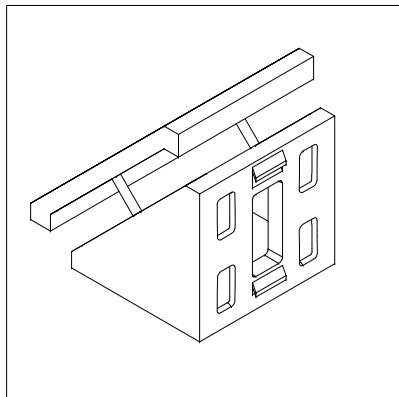
x 1



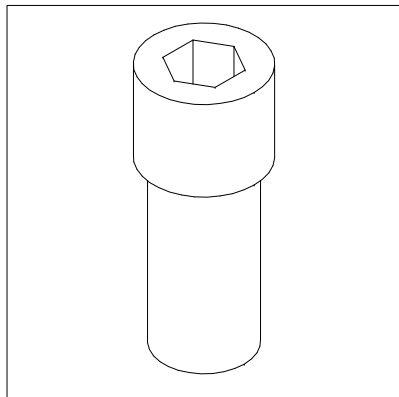
x 4



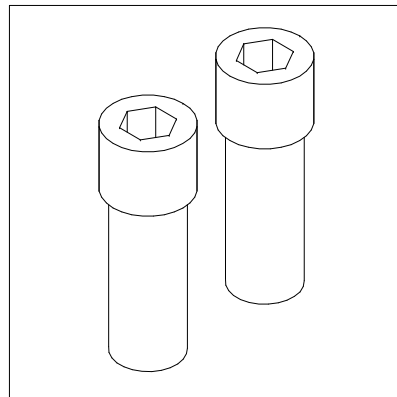
x 4



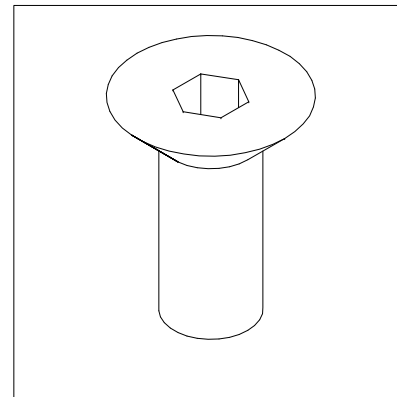
x 15



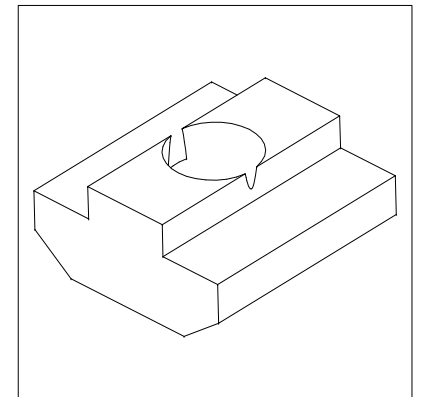
M8x 16mm x 30



M8x 20mm x 10  
M8x 25mm x 12

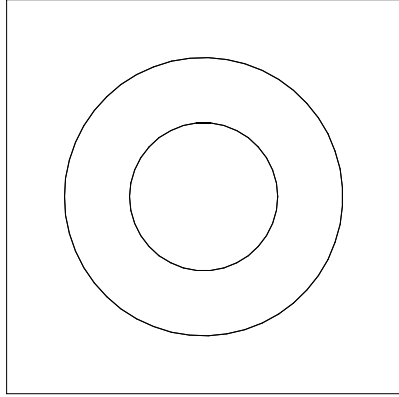


M8x 20mm x 9

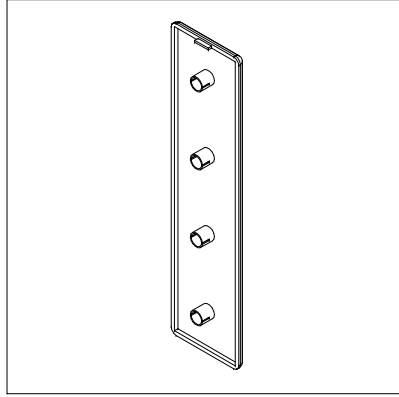


M8 x 61

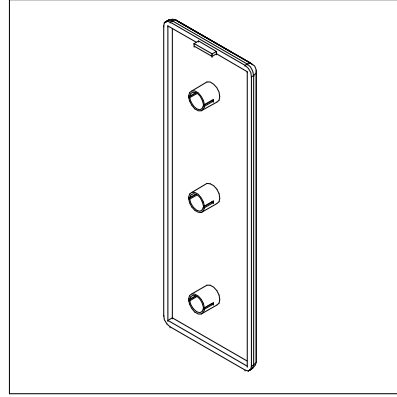
# Package Includes



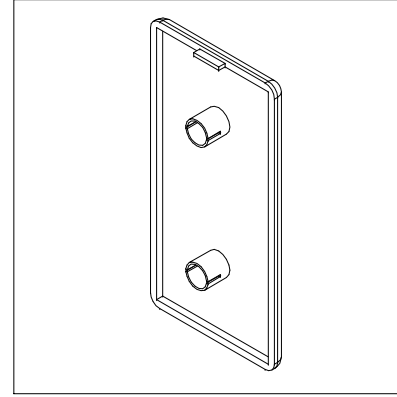
x 22



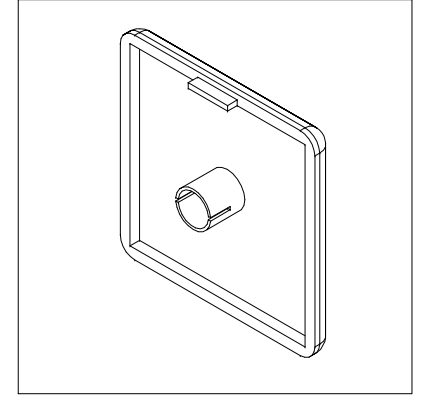
40160 x 4



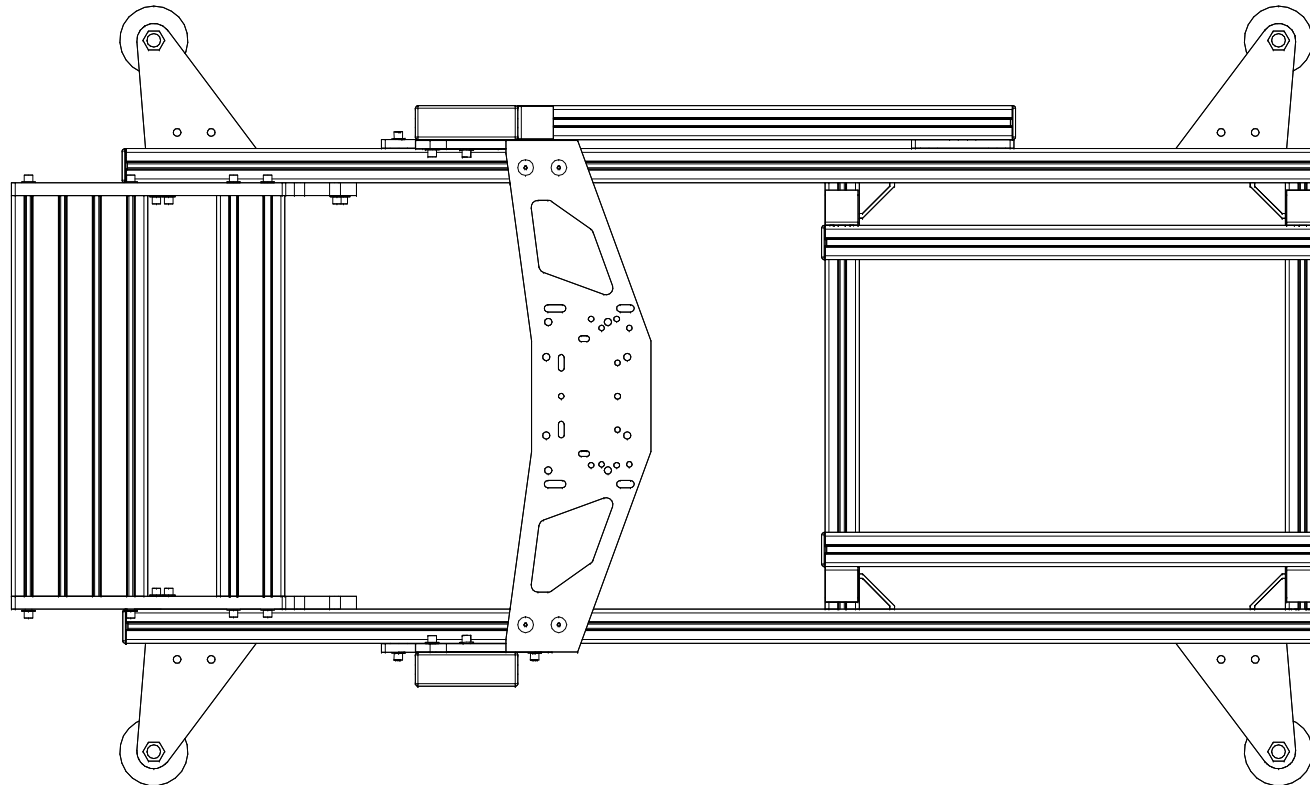
40120 x 4



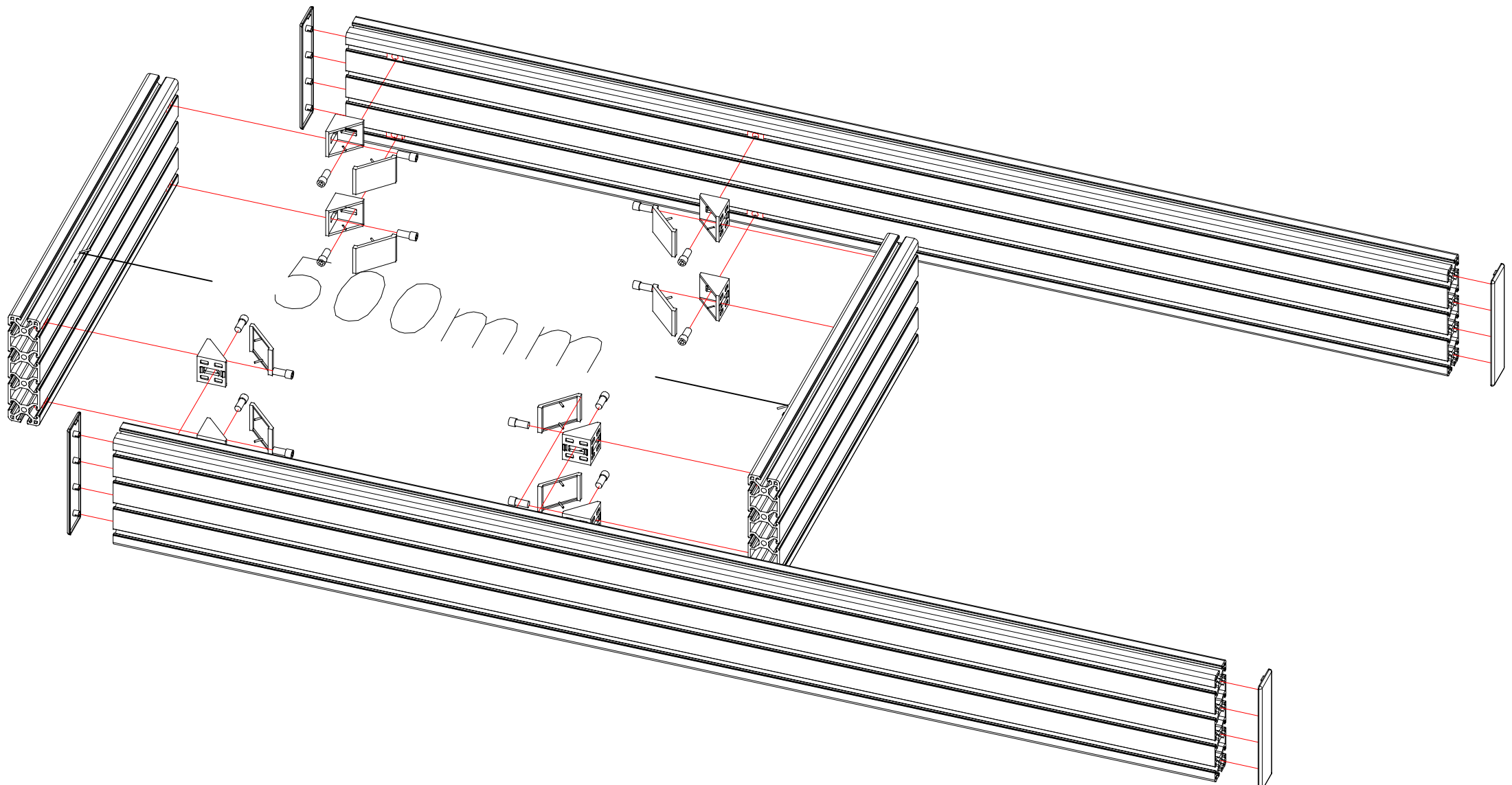
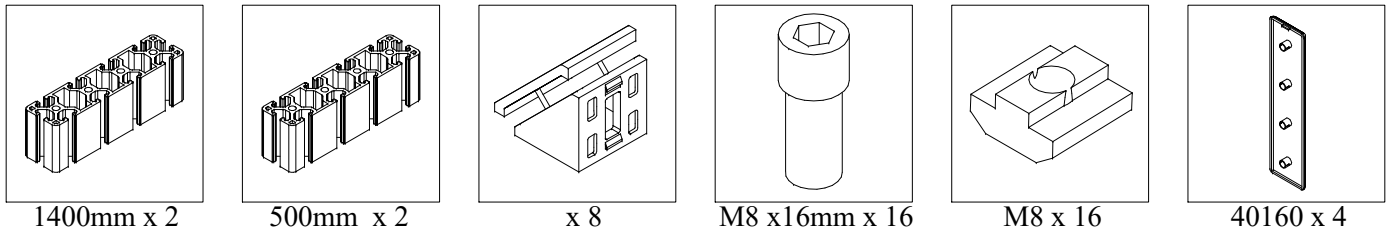
4080 x 1



4040 x 5

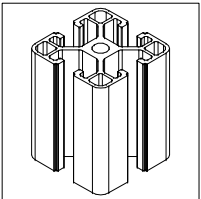


# P1 Structure Fasteners Pack

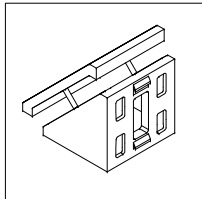


first install one side 1400mm(40160 profile) and attache it with 500mm (40160 profiles x2) with distance of 500mm

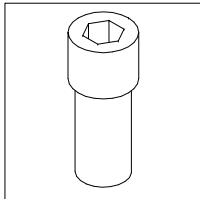
# P1 Structure Fasteners Pack



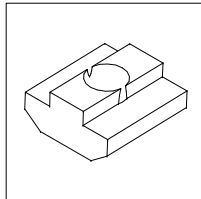
580mm x 2



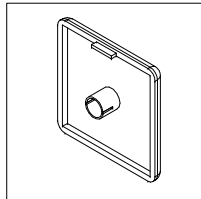
500mm x 2



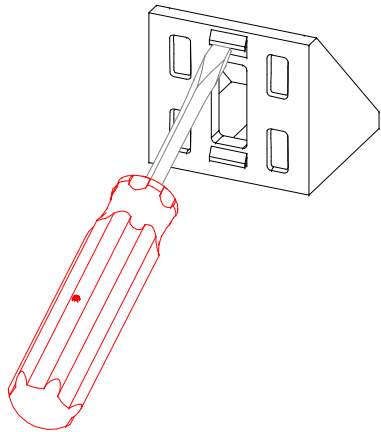
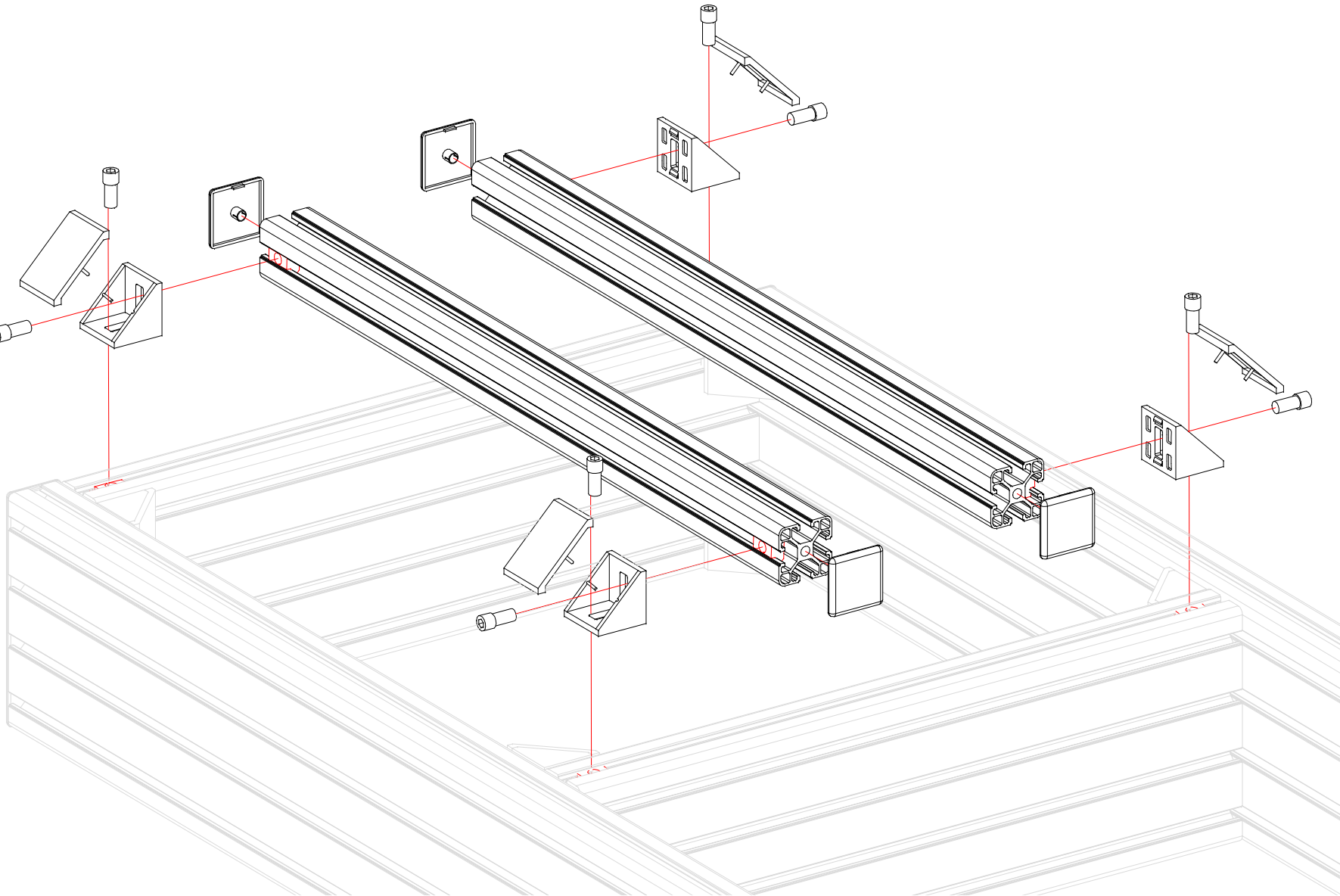
M8 x 16mm x 8



M8 x 8

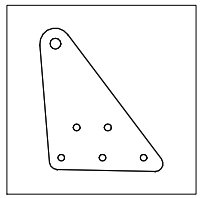


x 4

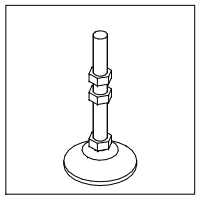


Break the teeth from one side of the bracket by using screwdriver, put it below the tooth and lift it up

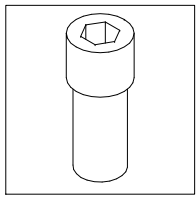
# P1 Level feet Fasteners Pack



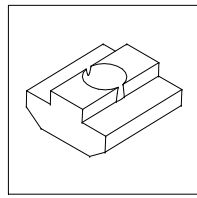
x 4



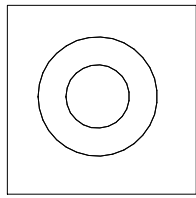
x 4



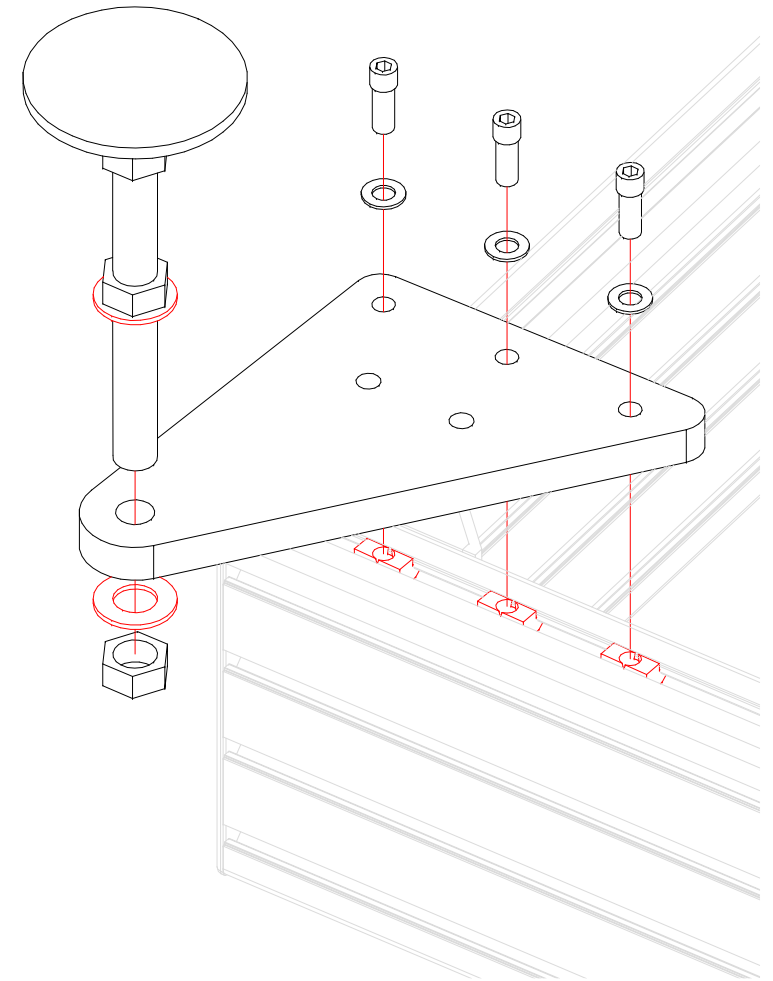
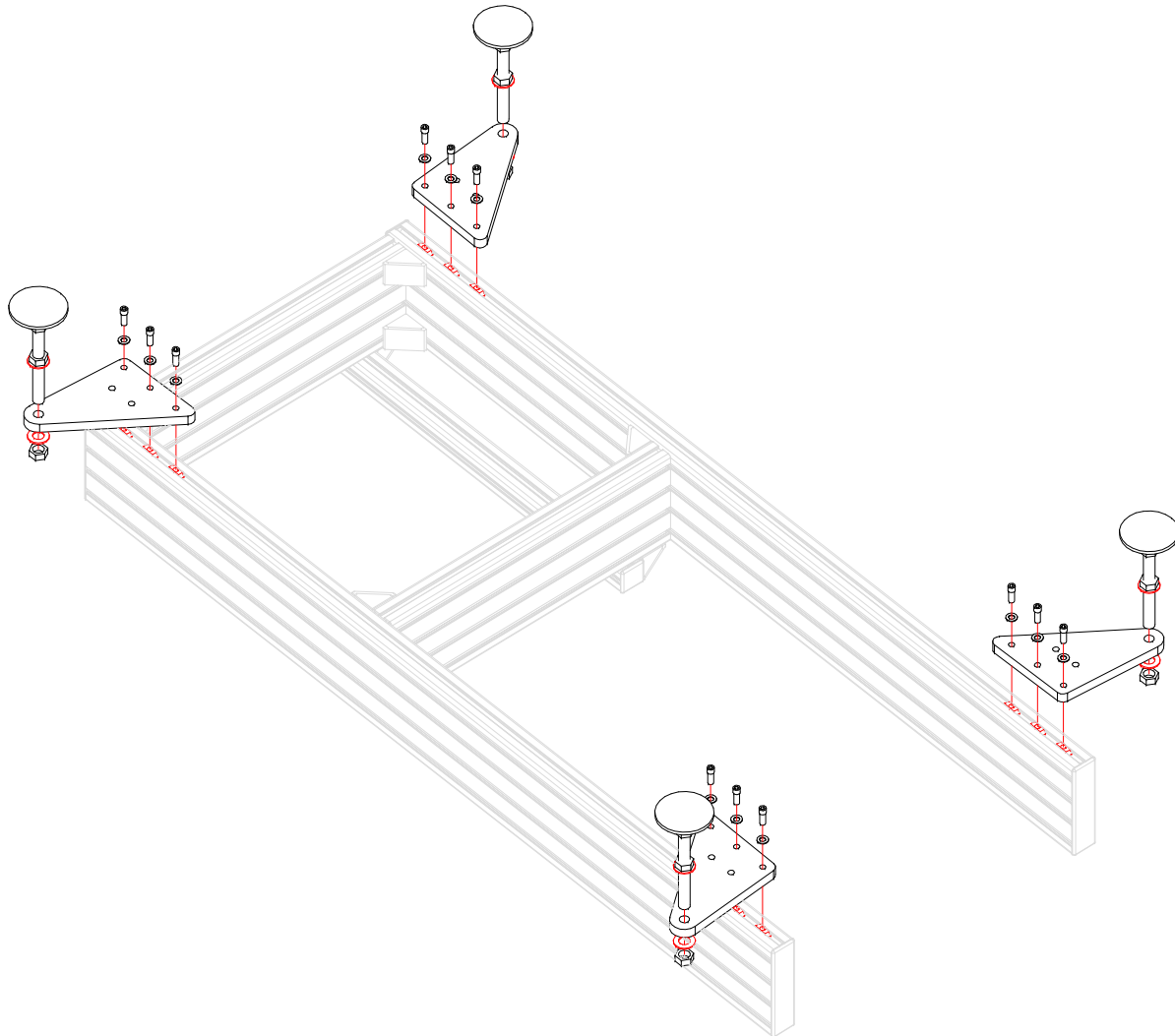
M8 x25mm x 12



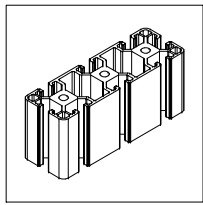
M8 x 12



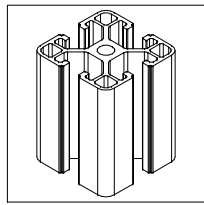
x 12



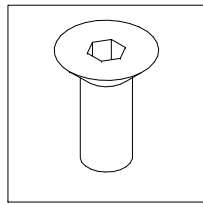
# Sandwich plate Fasteners Pack



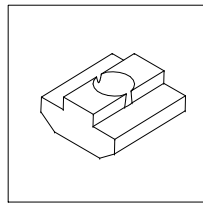
780mm x 2



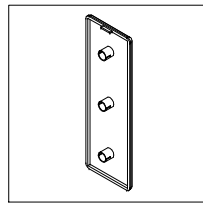
320mm x 1



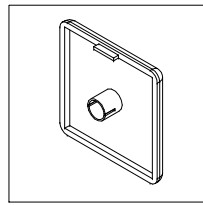
M8 x20mm x 9



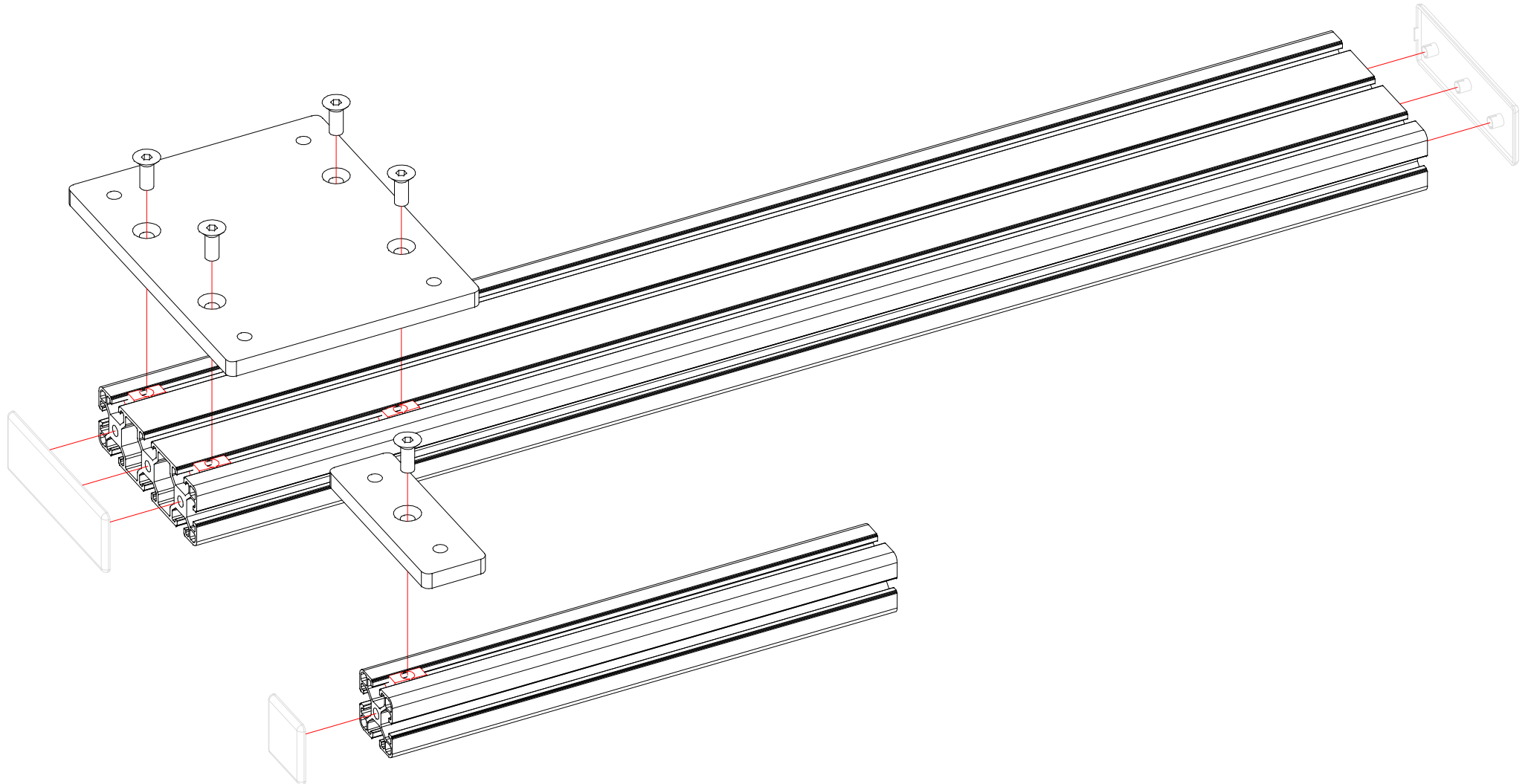
M8 x 9



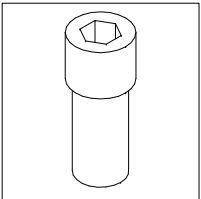
x 2



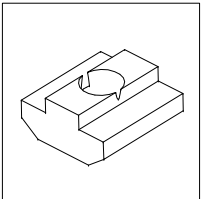
x 1



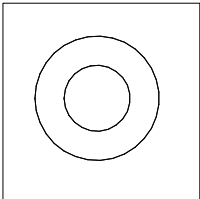
# Sandwich plate Fasteners Pack



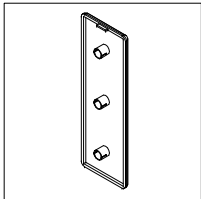
M8 x20mm x 10



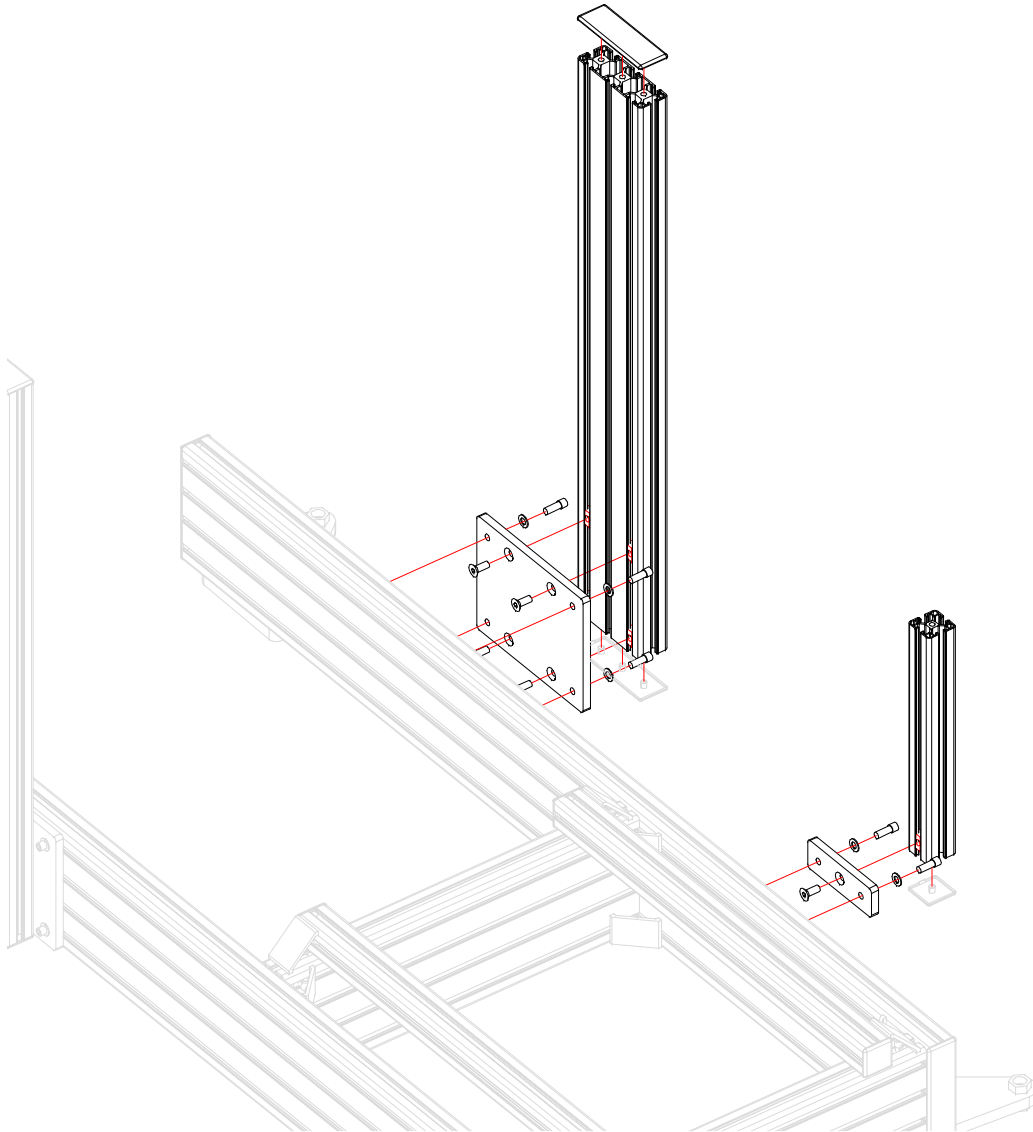
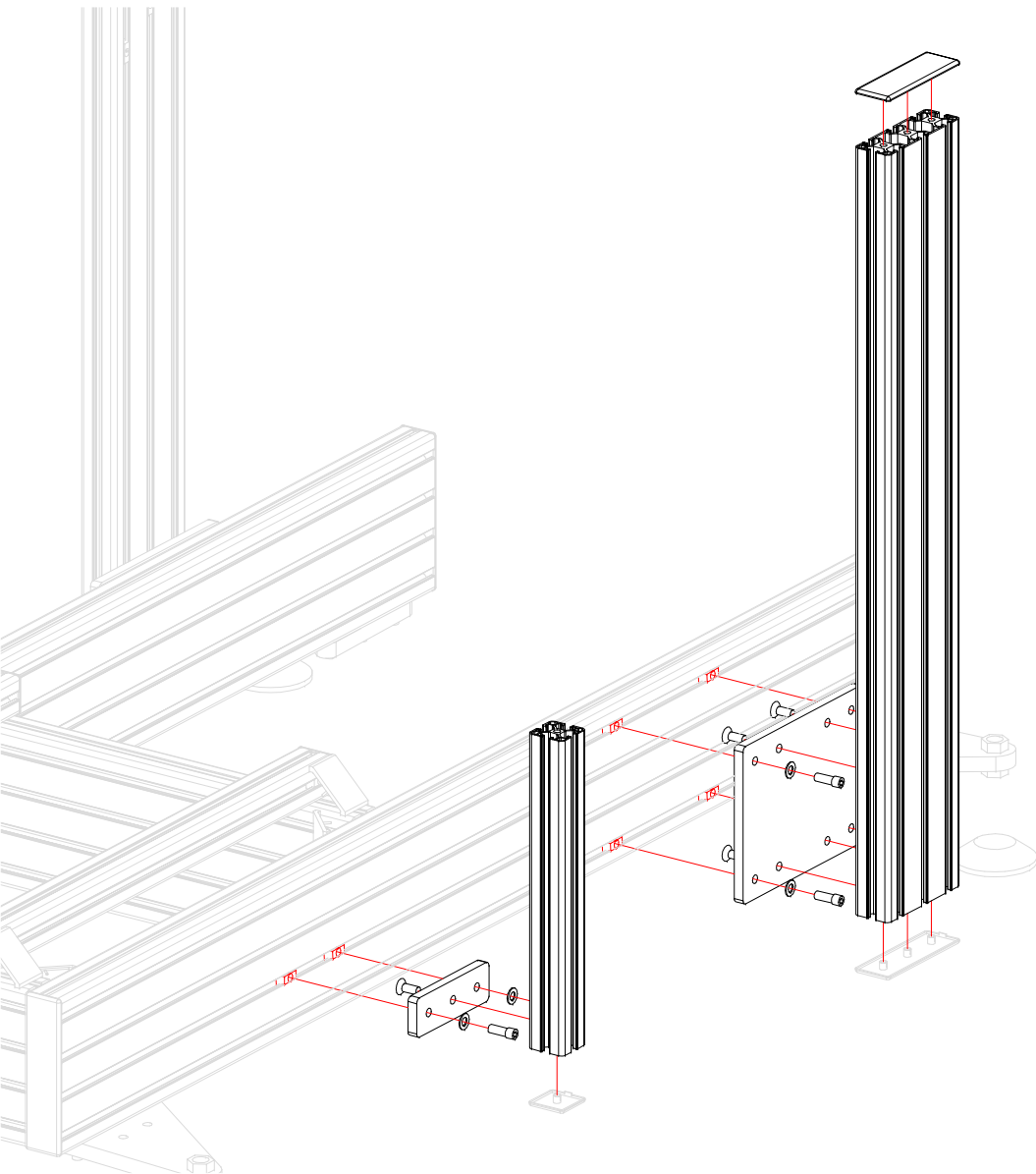
x 10



x 10

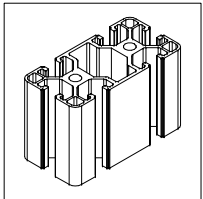


x 2

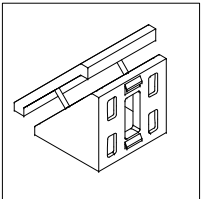




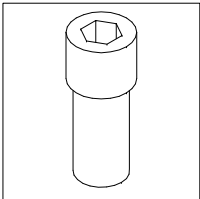
# P1 Structure Fasteners Pack



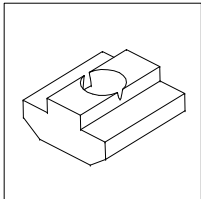
580mm x 1



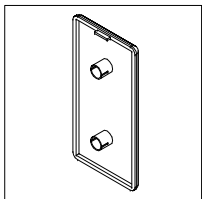
x 3



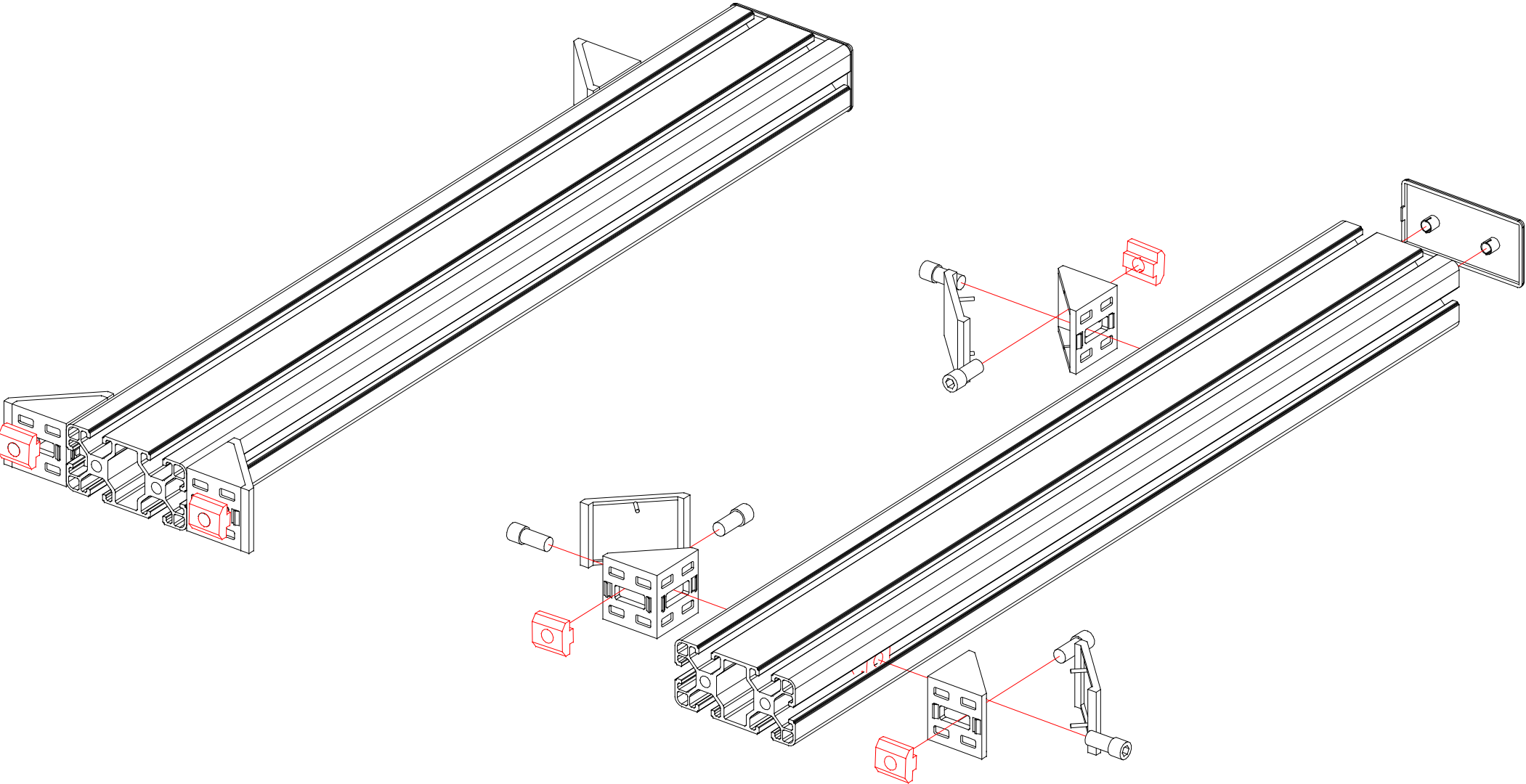
M8 x16mm x 6



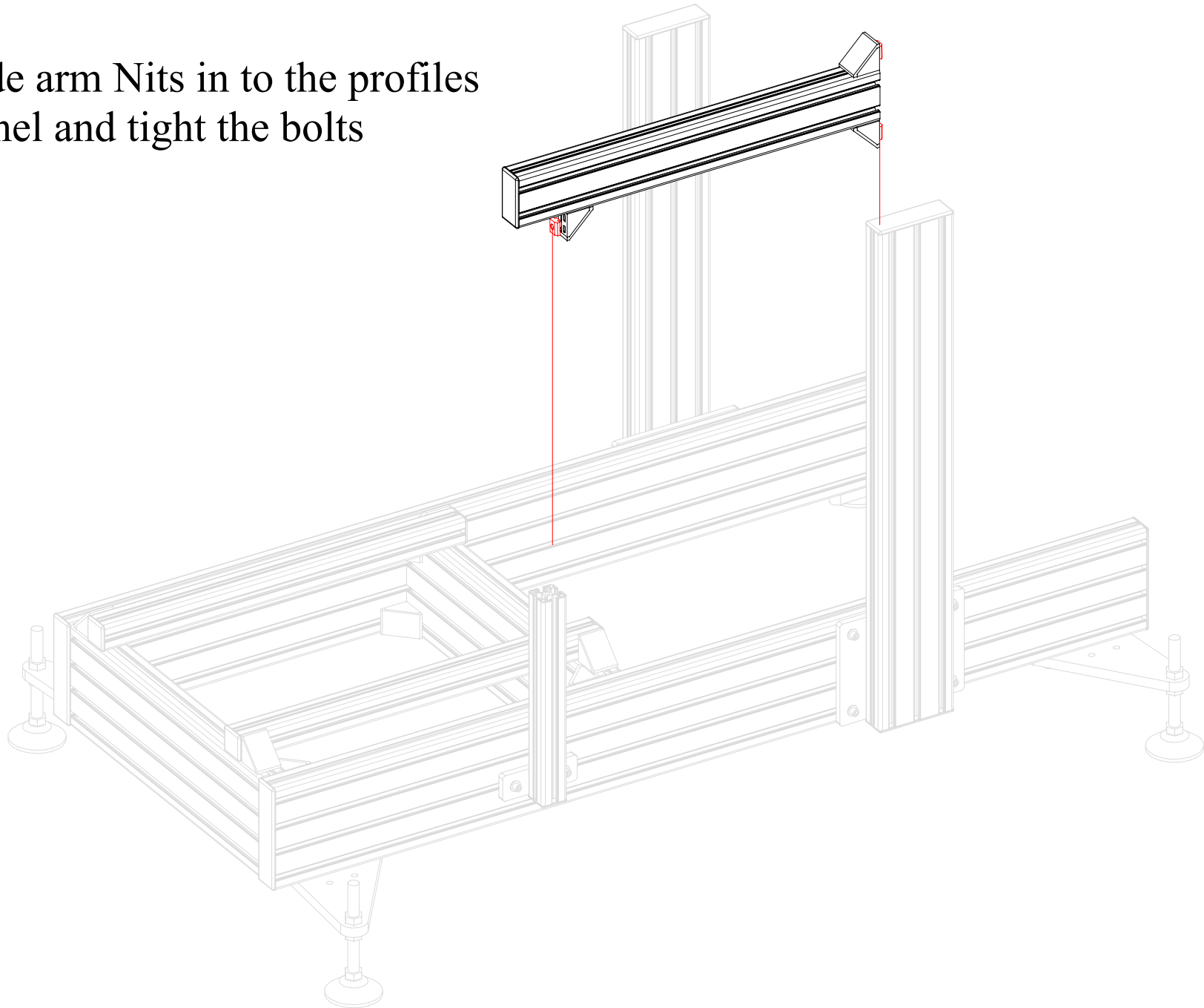
M8 x 6

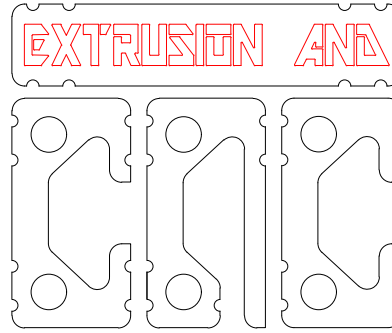


x 1



Slide the side arm Nits in to the profiles channel and tight the bolts





If you still have some questions regarding assembly of this product or about the manual itself, please refer to our support department. They can be reached at

[support@extrusionandcnc.com](mailto:support@extrusionandcnc.com)

whatsapp: +971506580398