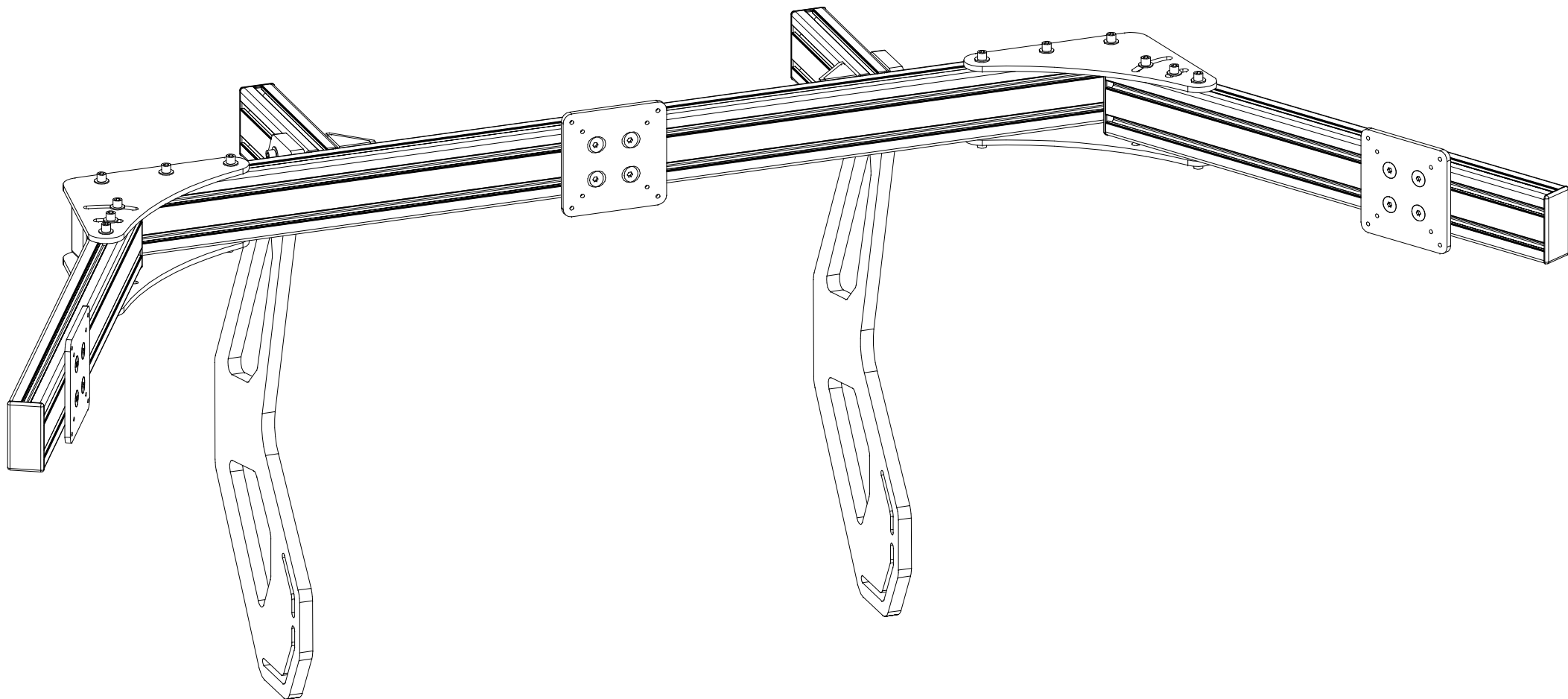
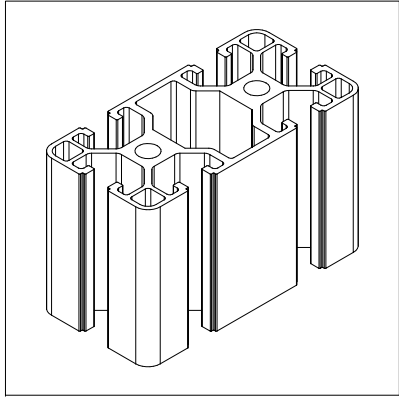


# Integrated Monitor Stand

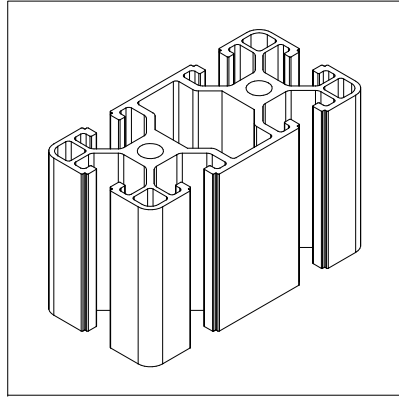
Instruction manual



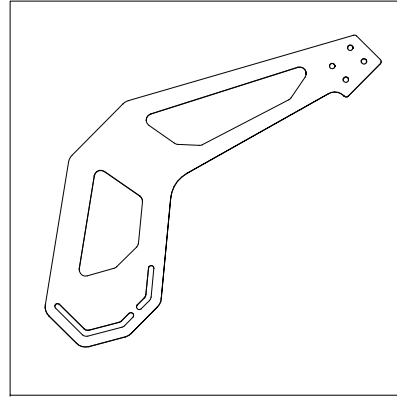
# Package Includes



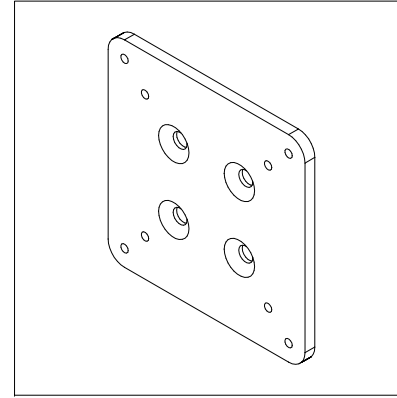
1000mm x 1



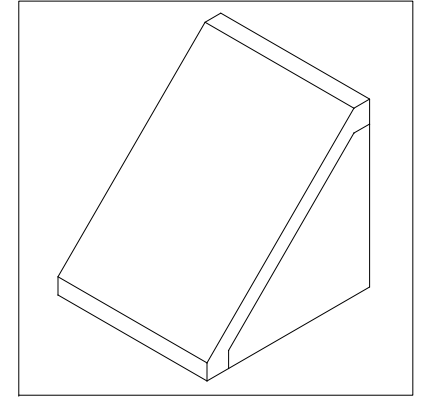
200mm x 2



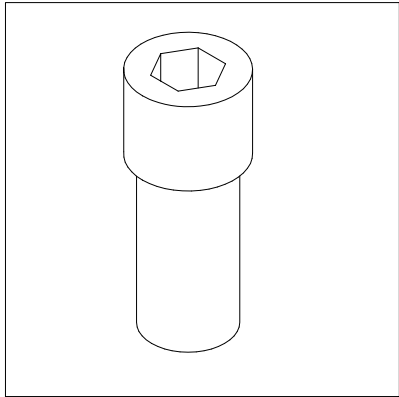
x 2



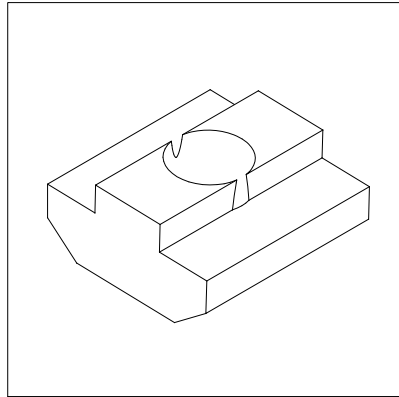
x 1



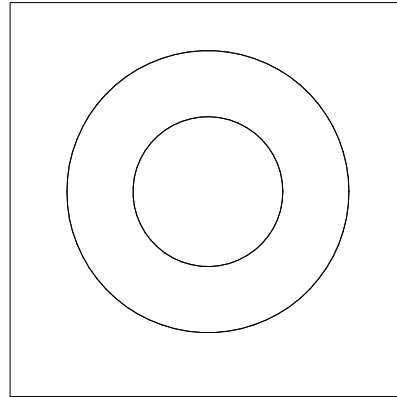
x 4



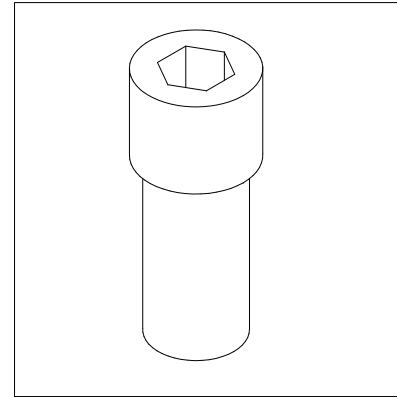
M8 x 25mm x 16



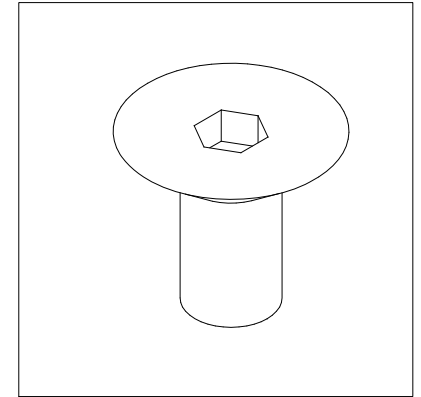
M8 x 28



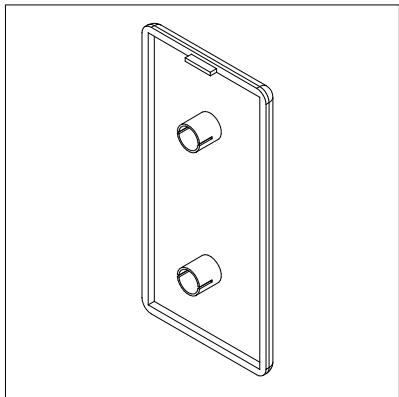
M8 x 16



M8 x 16mm x 8



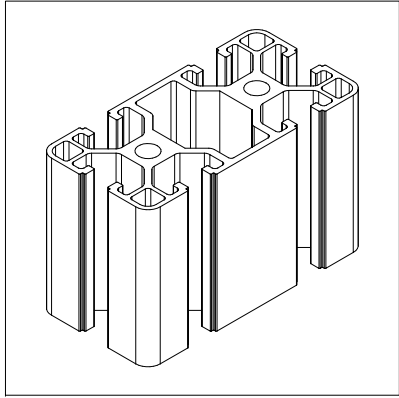
M8 x 16mm x 4



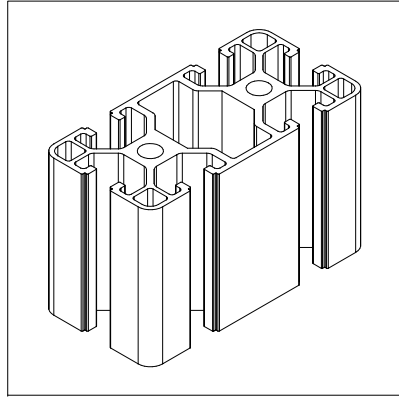
x 4

## Single Integrated Monitor Stand

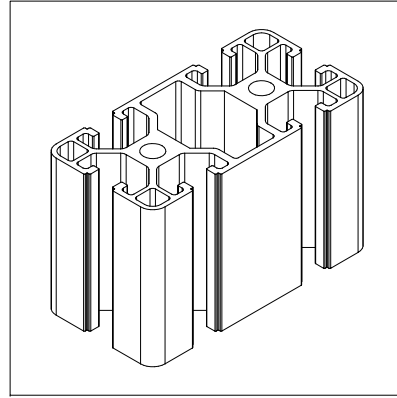
# Package Includes



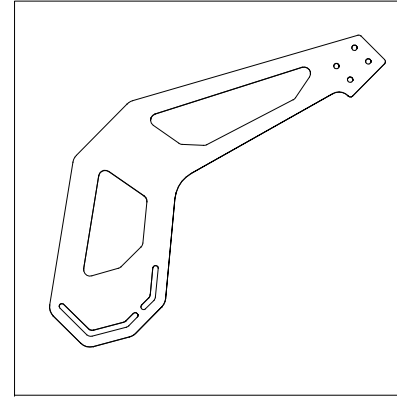
1220mm x 1



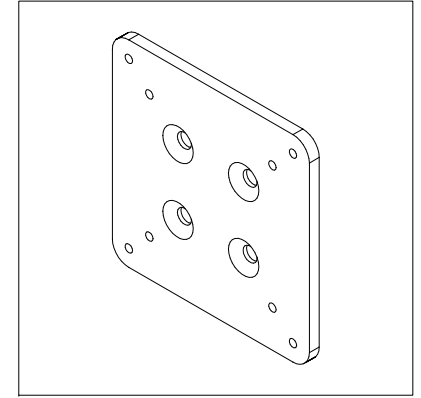
610mm x 2



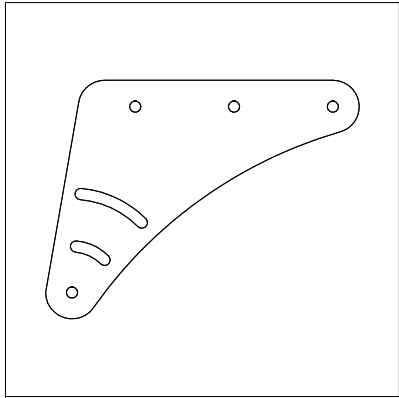
200mm x 2



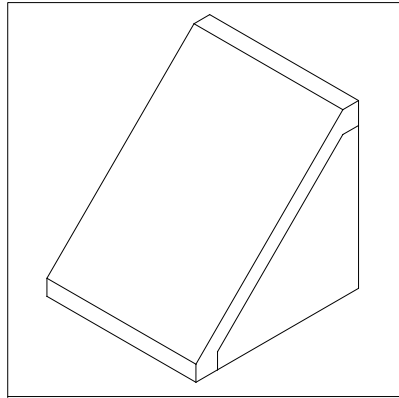
x 2



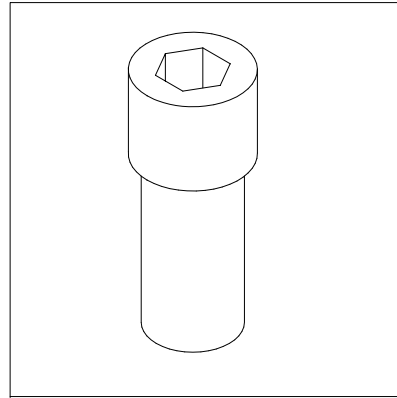
x 3



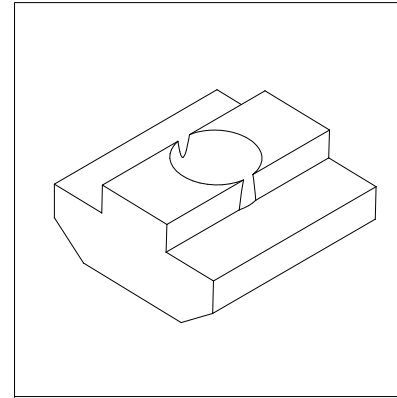
x 4



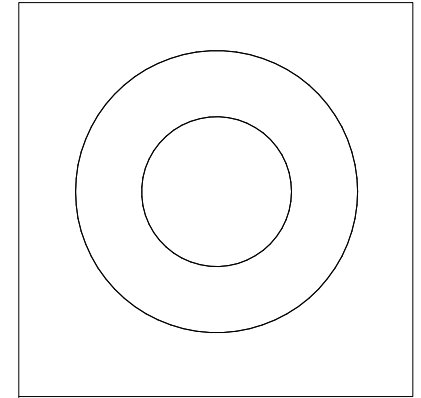
x 4



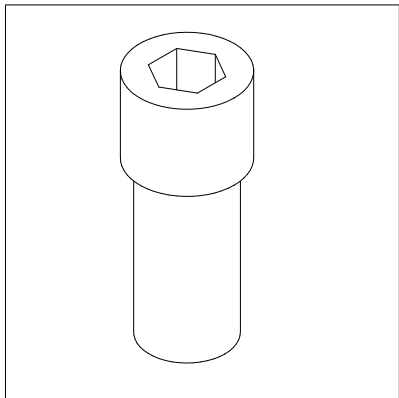
M8 x 25mm x 16



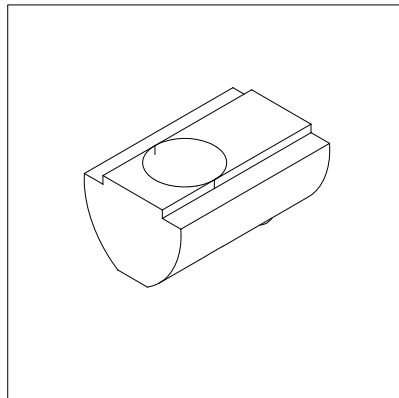
M8 x 36



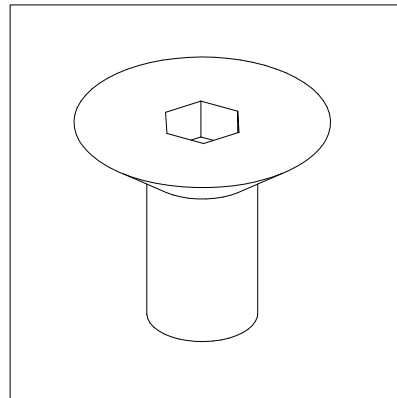
M8 x 40



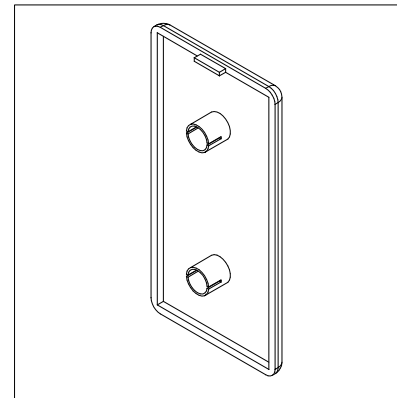
M8 x 16mm x 32



M8 x 24

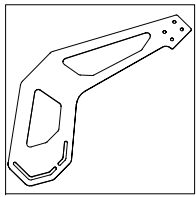


M8 X 16mm x 12

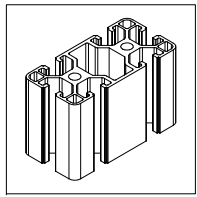


x 8

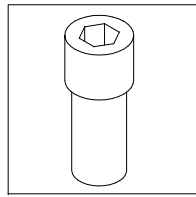
**Triple Integrated  
Monitor Stand**



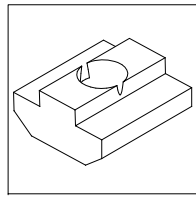
x 2



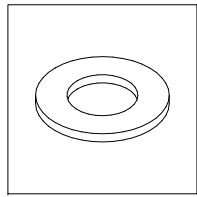
200mm x 2



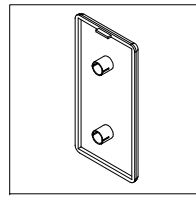
M8 X 25mm x  
16



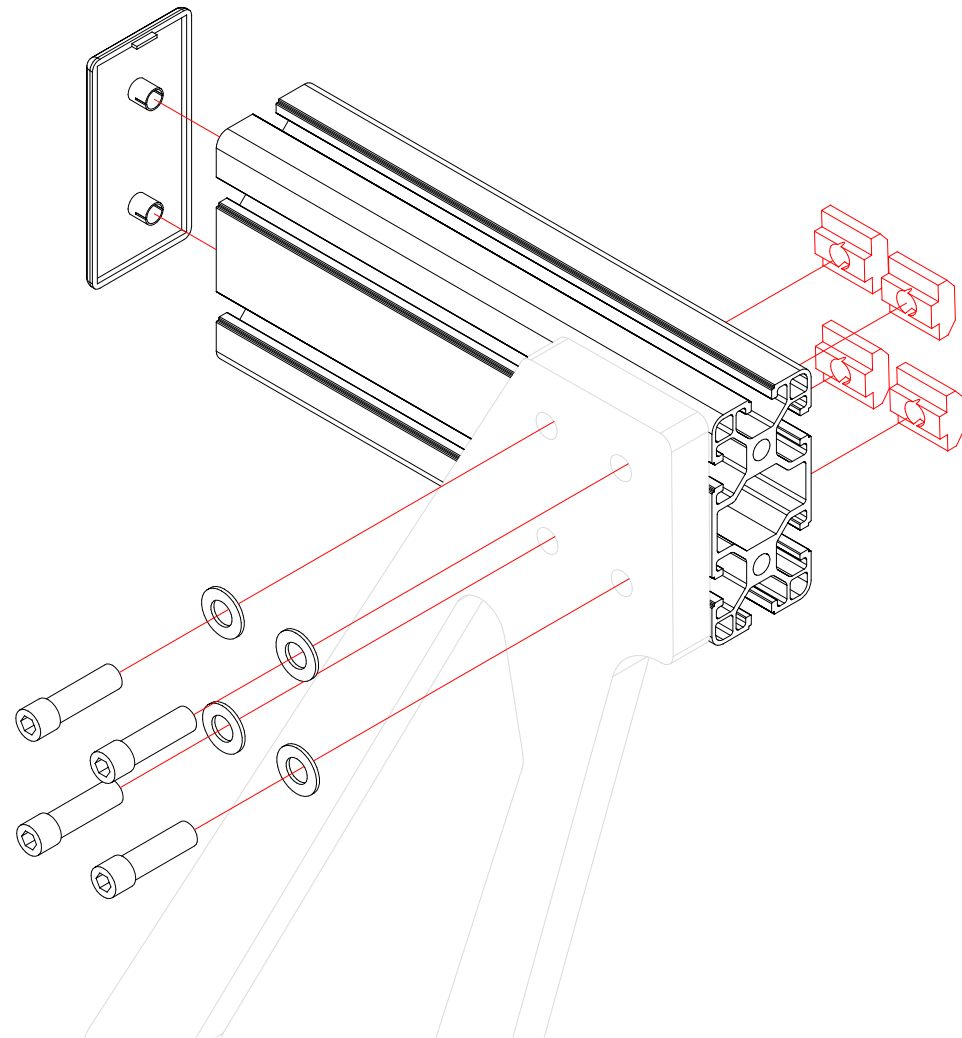
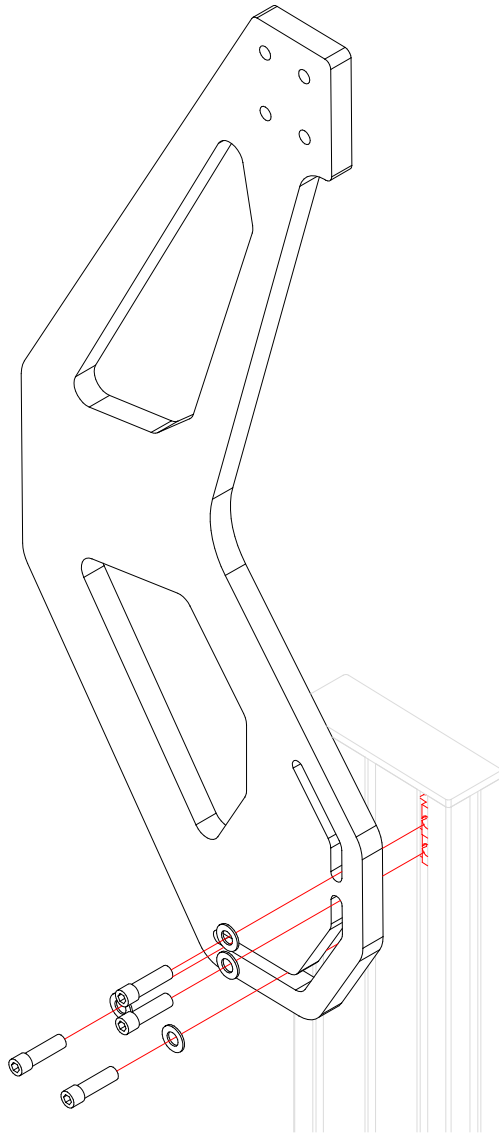
M8 x 16

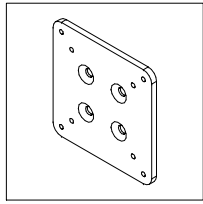


x 16

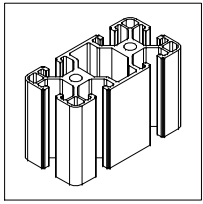


x 2

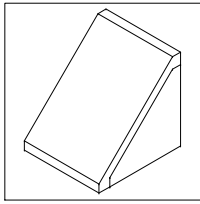




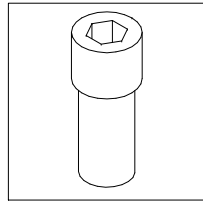
x 1



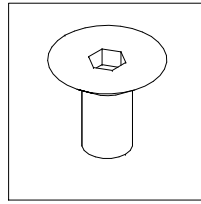
1000mm x 1



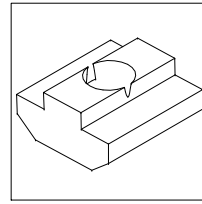
x 4



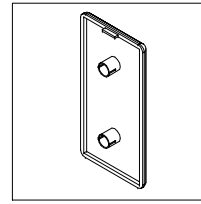
M8 x 16 x 8



M8 x 16 x 4

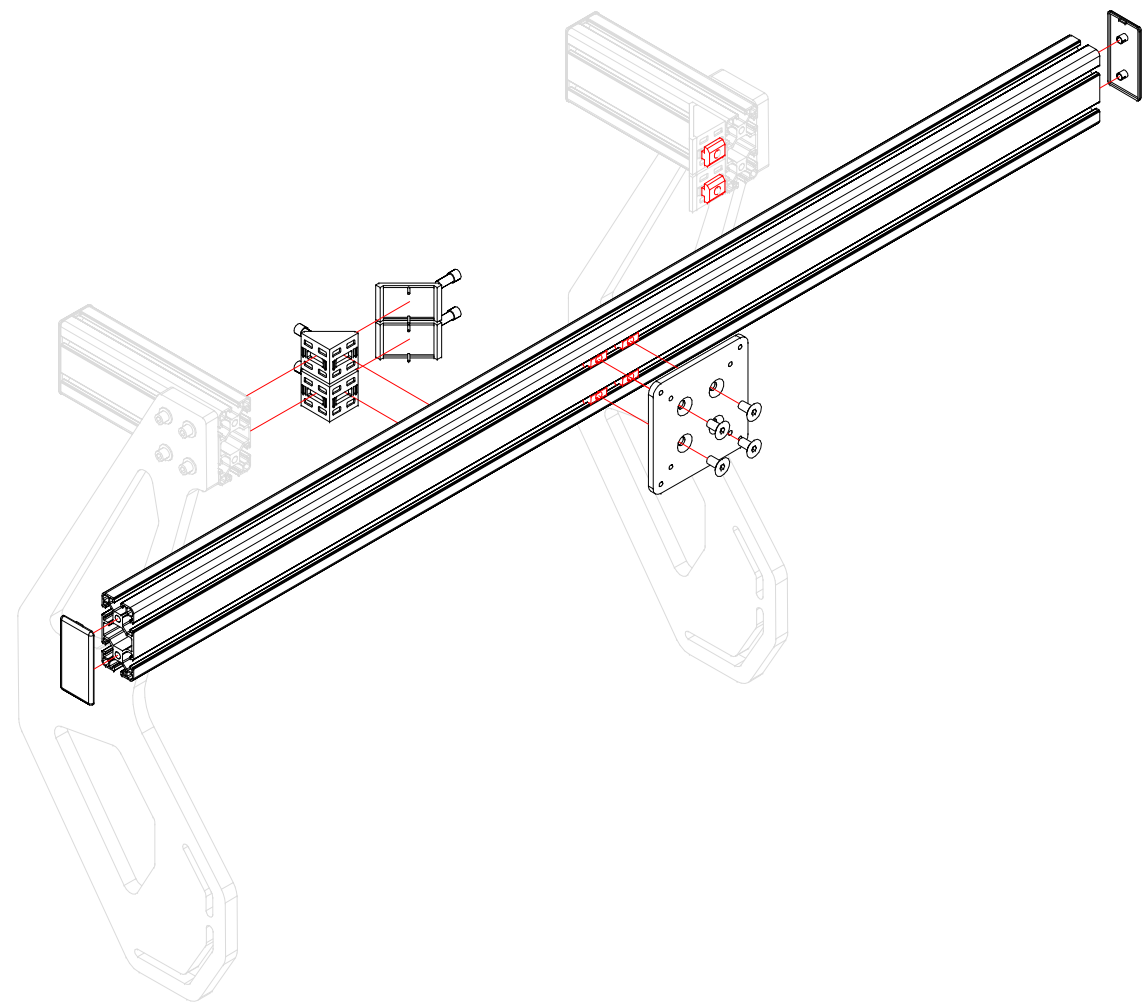
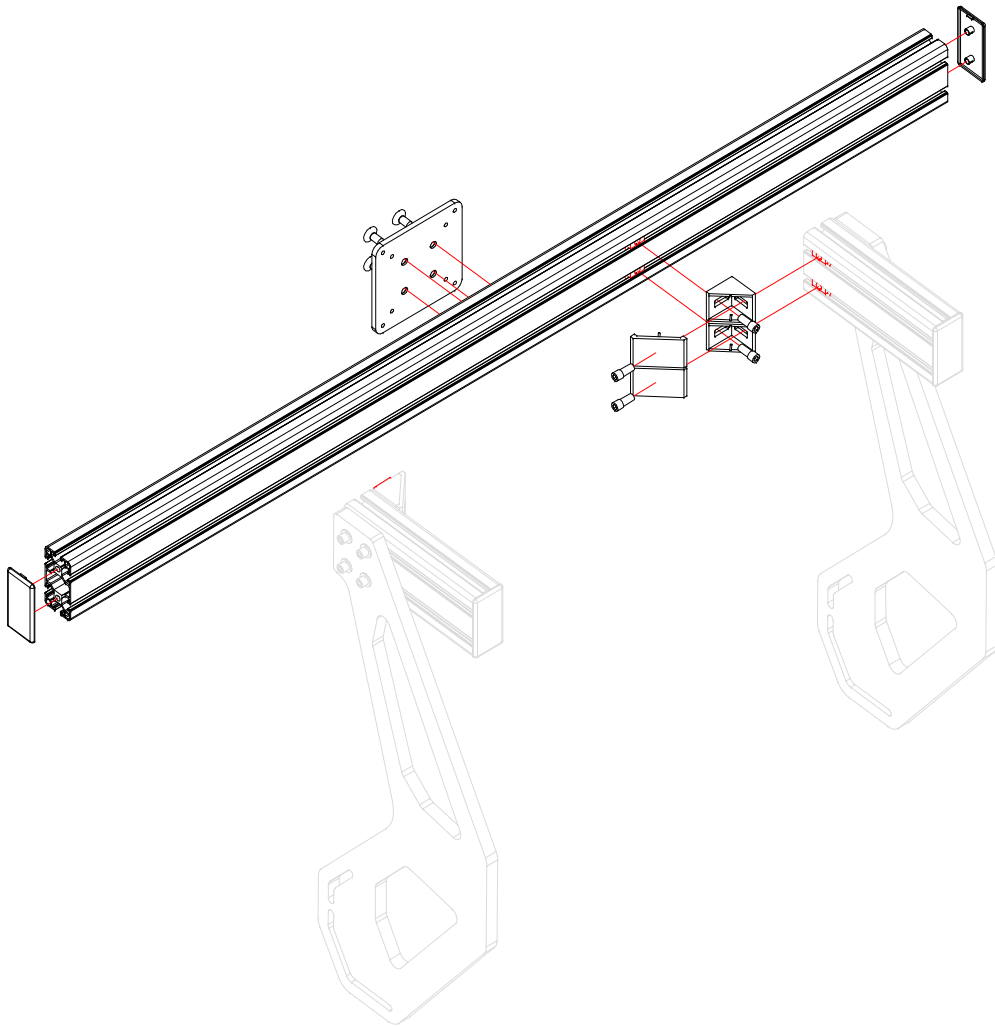


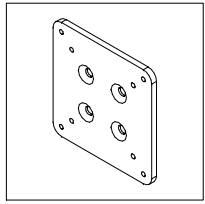
M8 x 12



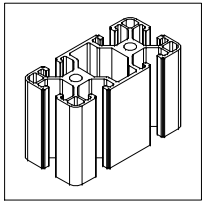
x 2

# Single Integrated Monitor Stand

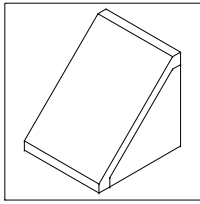




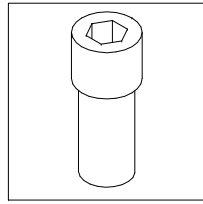
x 1



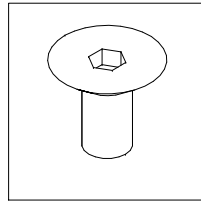
1220mm x 1



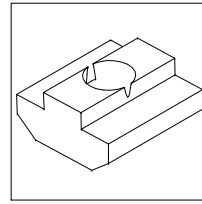
x 4



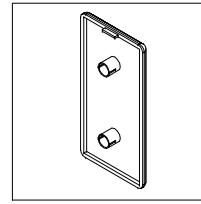
M8 x 16 x 8



M8 x 16 x 4

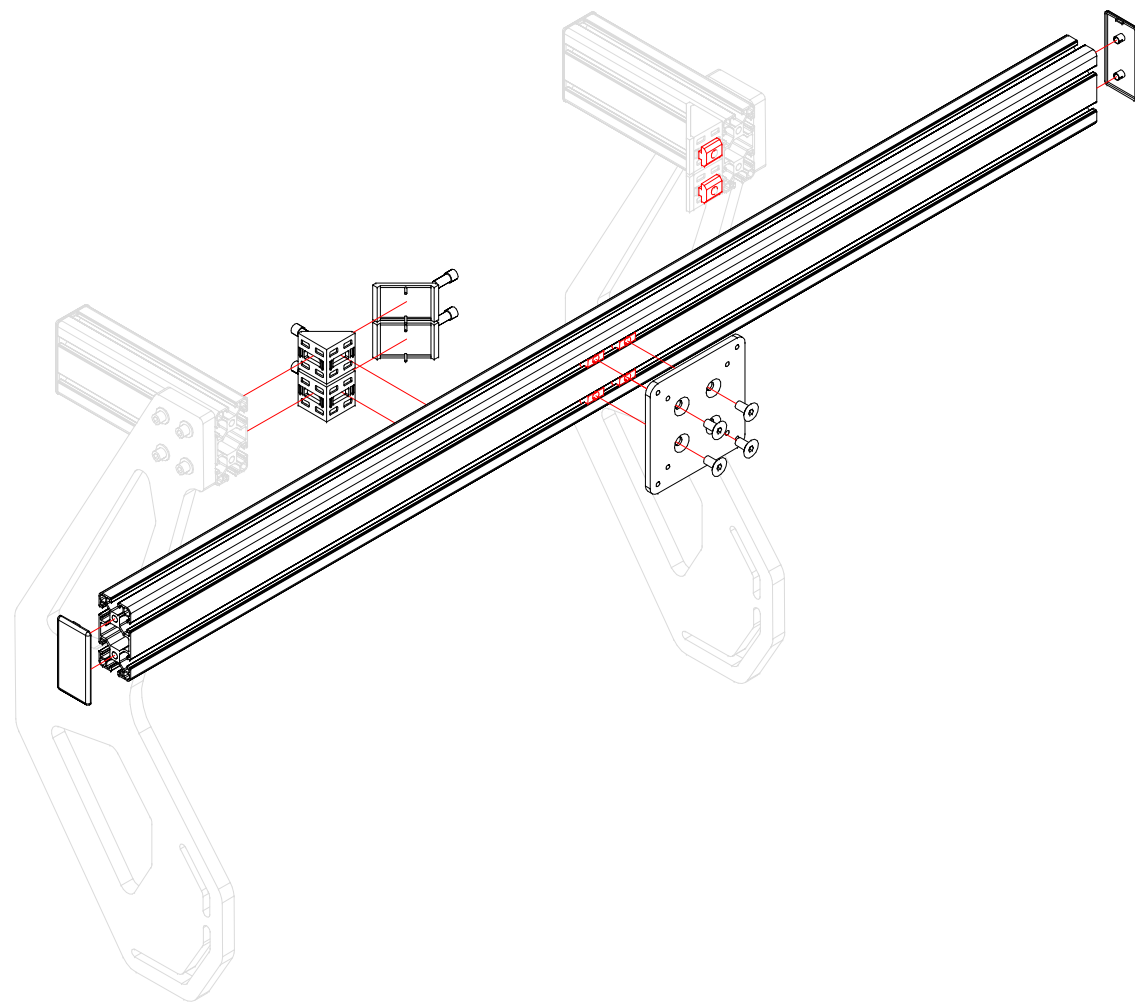
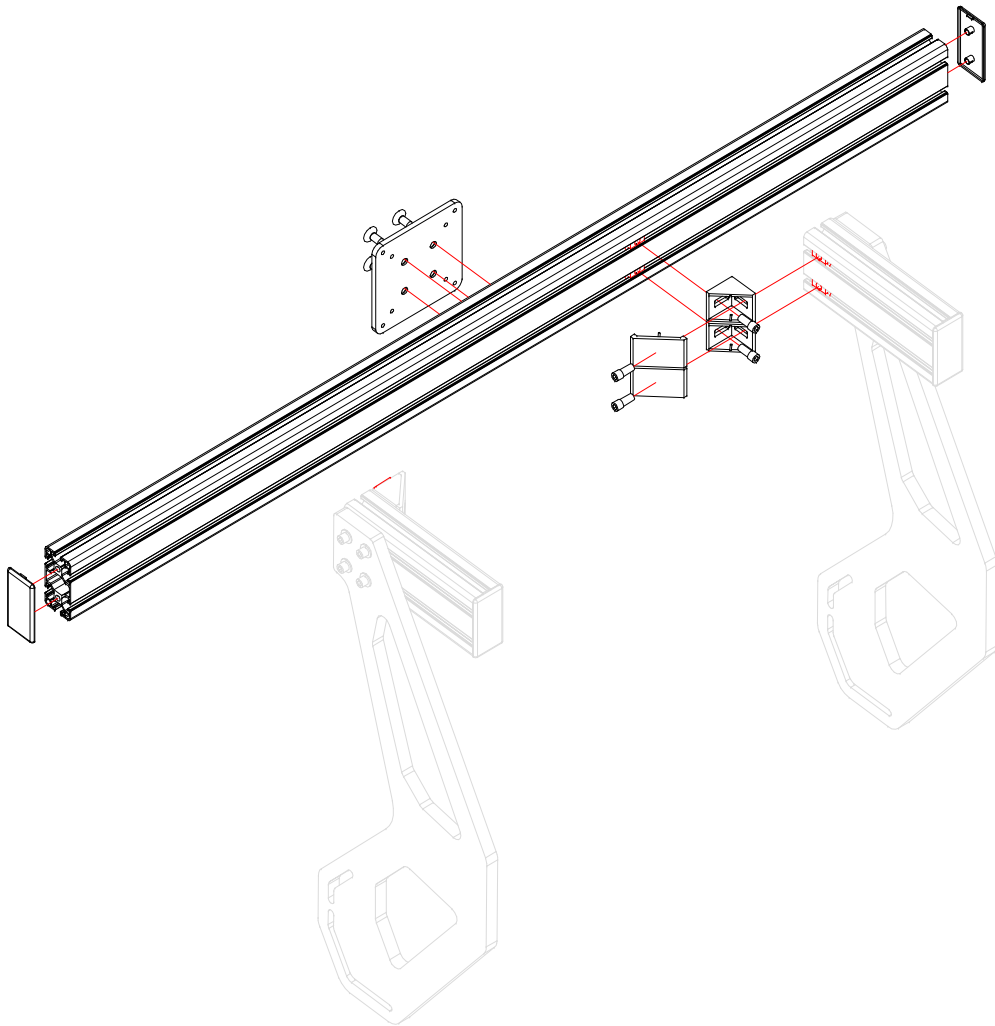


M8 x 12

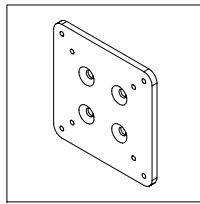


x 2

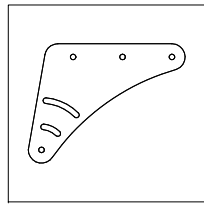
# Triple Integrated Monitor Stand



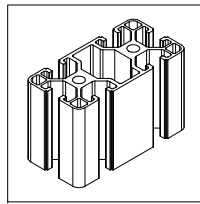
# Triple Integrated Monitor Stand



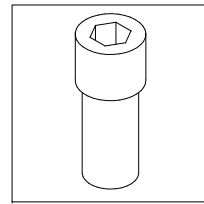
x 2



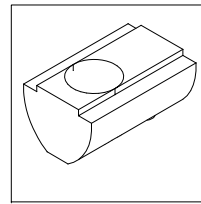
x 4



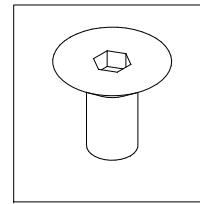
610mm x 2



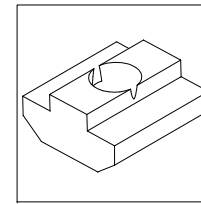
M8 x 16mm x 24



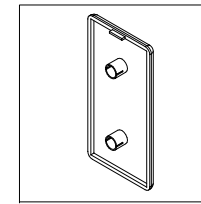
x 24



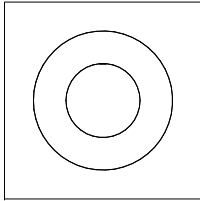
M8 x 16mm x 8



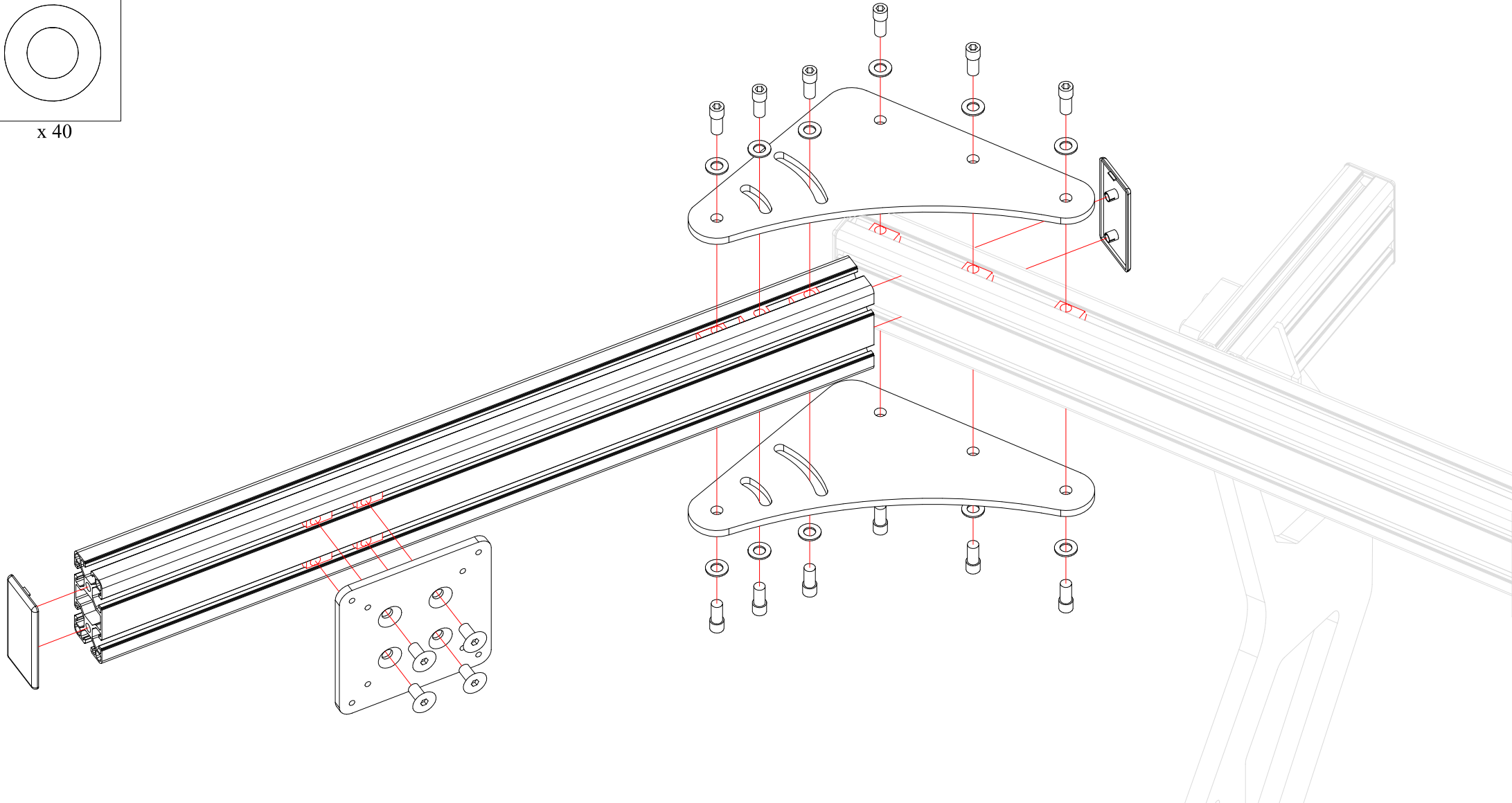
M8 x 8

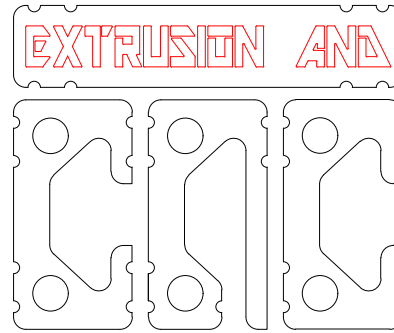


x 4



x 40





If you still have some questions regarding assembly of this product or about the manual itself, please refer to our support department. They can be reached at

[support@extrusionandcnc.com](mailto:support@extrusionandcnc.com)

whatsapp: +971506580398