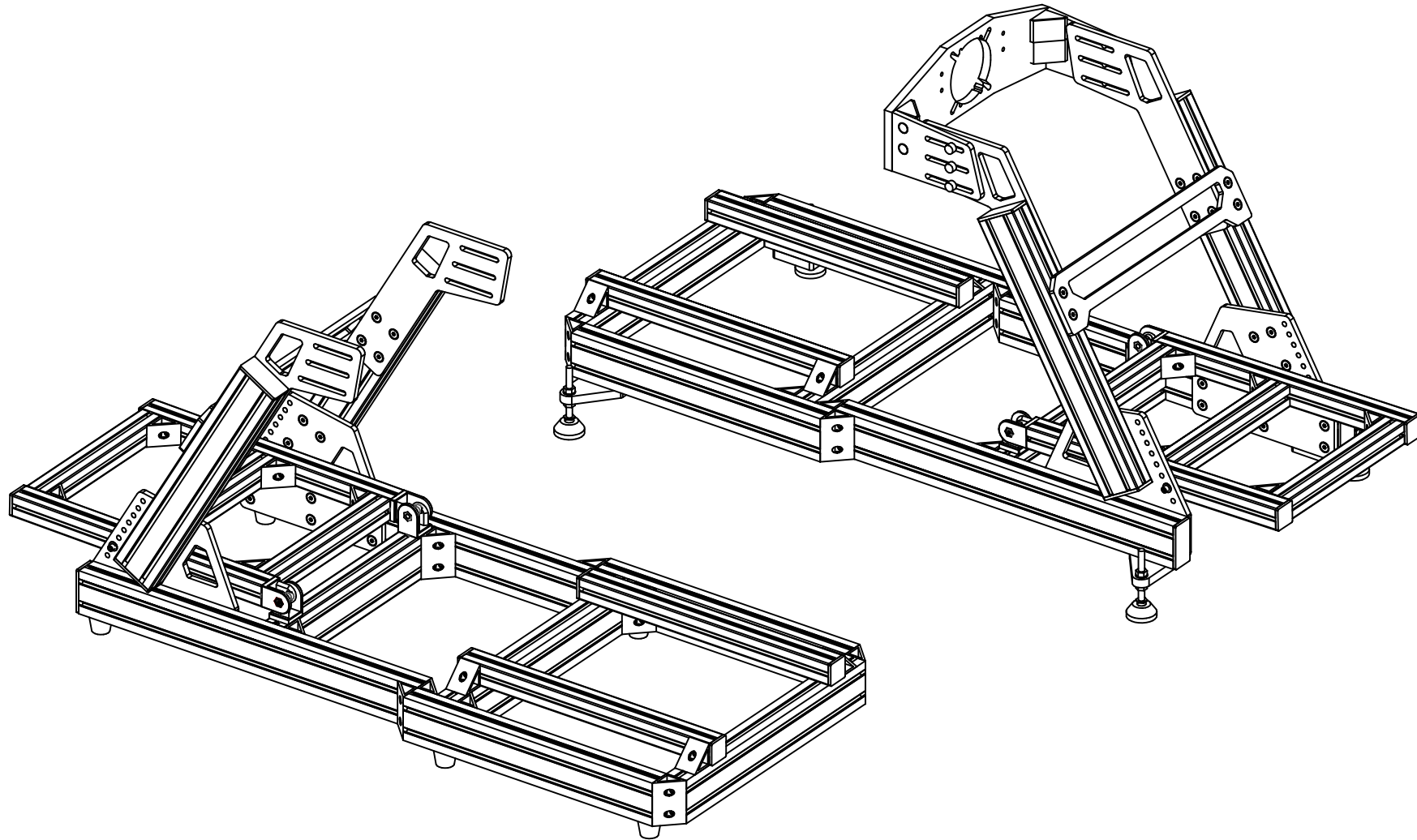
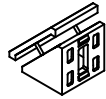
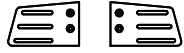
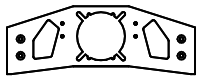


# GT2/GTDD Front Mount 440 mm Instruction manual





x 4



M8 x 25mm x 4



M8 x 20mm x 4



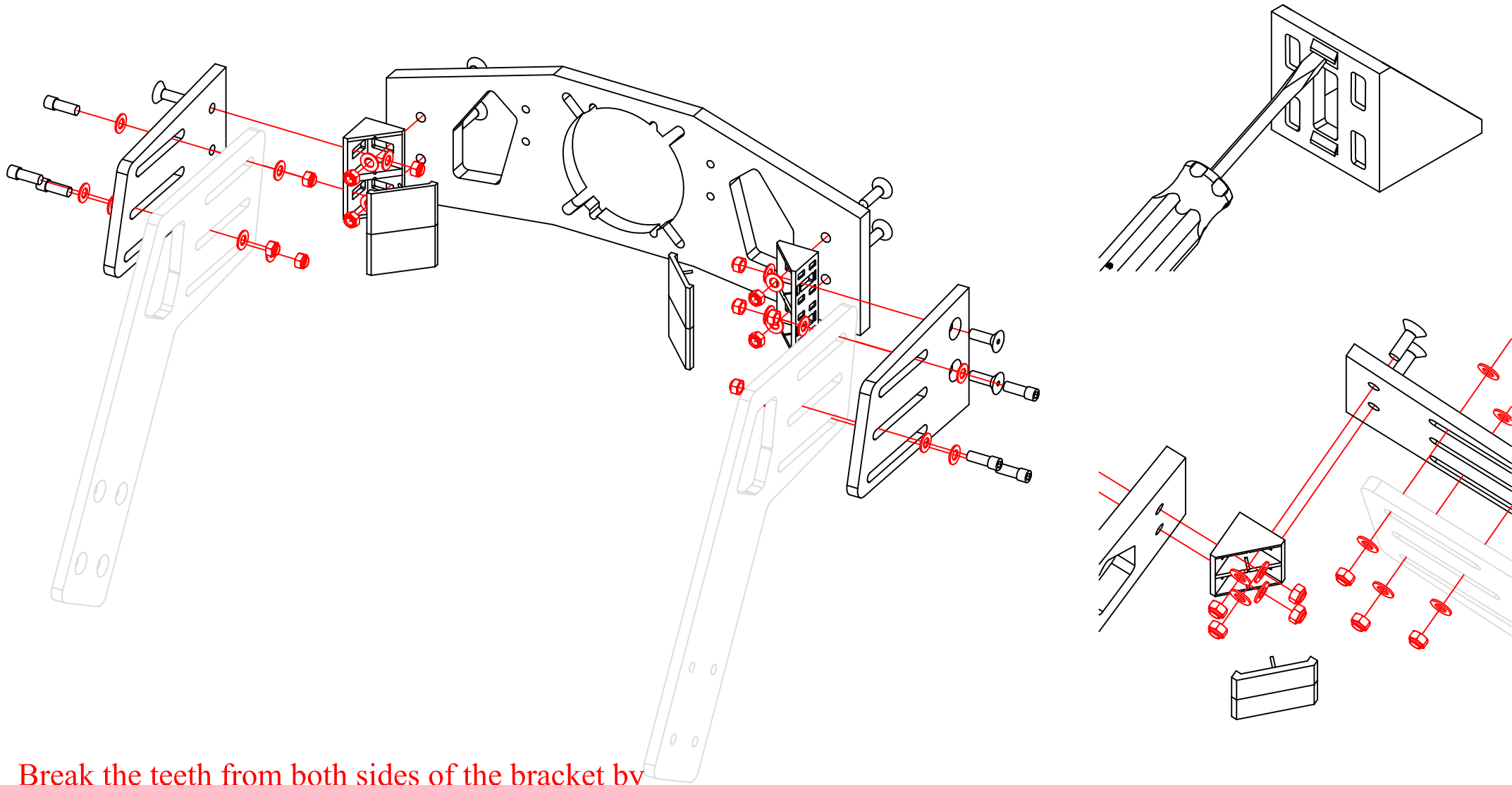
M8 x 30mm x 6



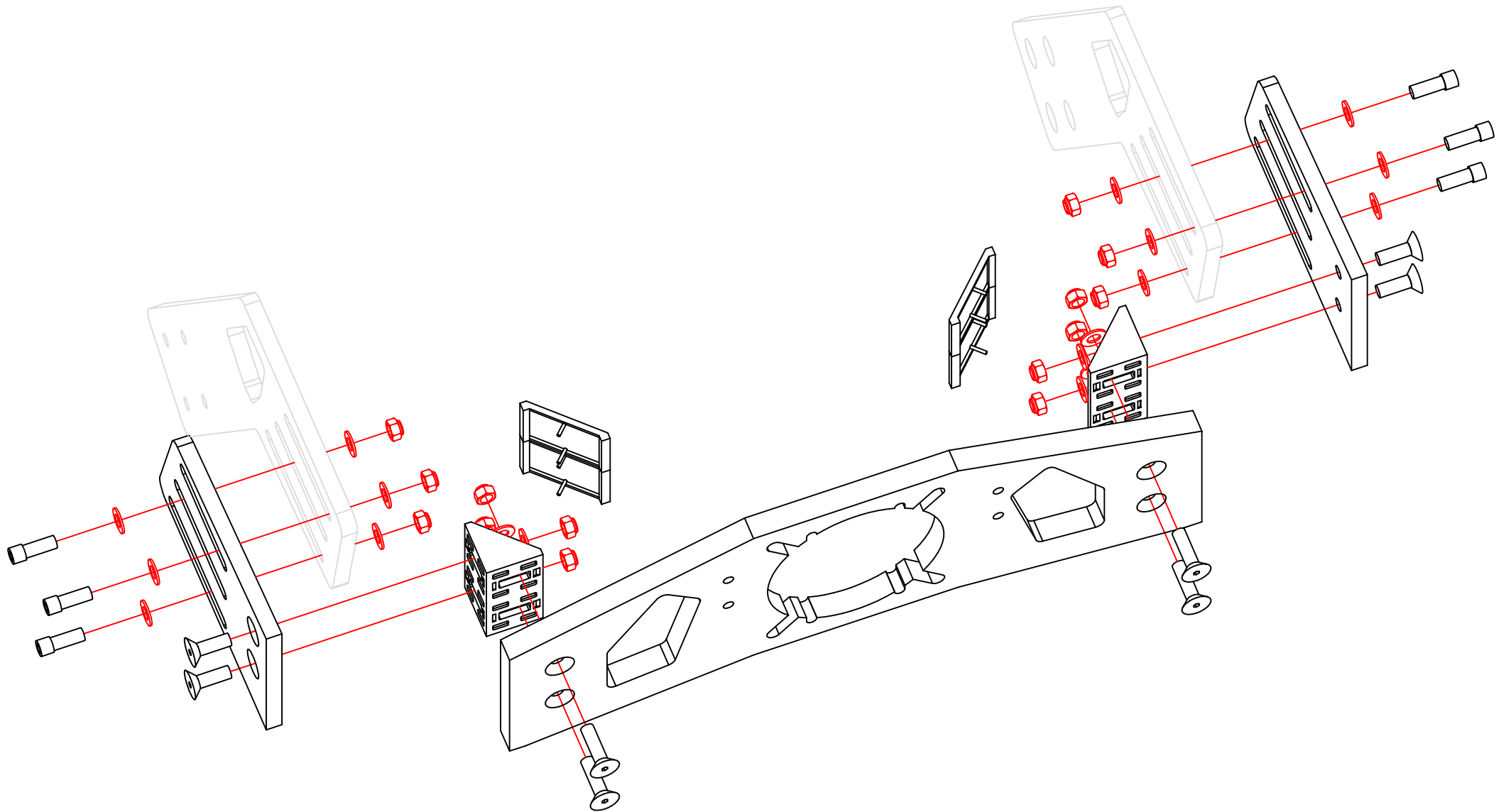
M8 x 14

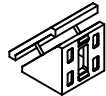
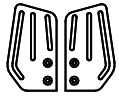
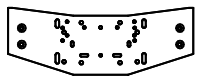


M8 x 16



Break the teeth from both sides of the bracket by using screwdriver, put it below the tooth and lift it up





x 4



M8 x 25mm x 4



M8 x 20mm x 4



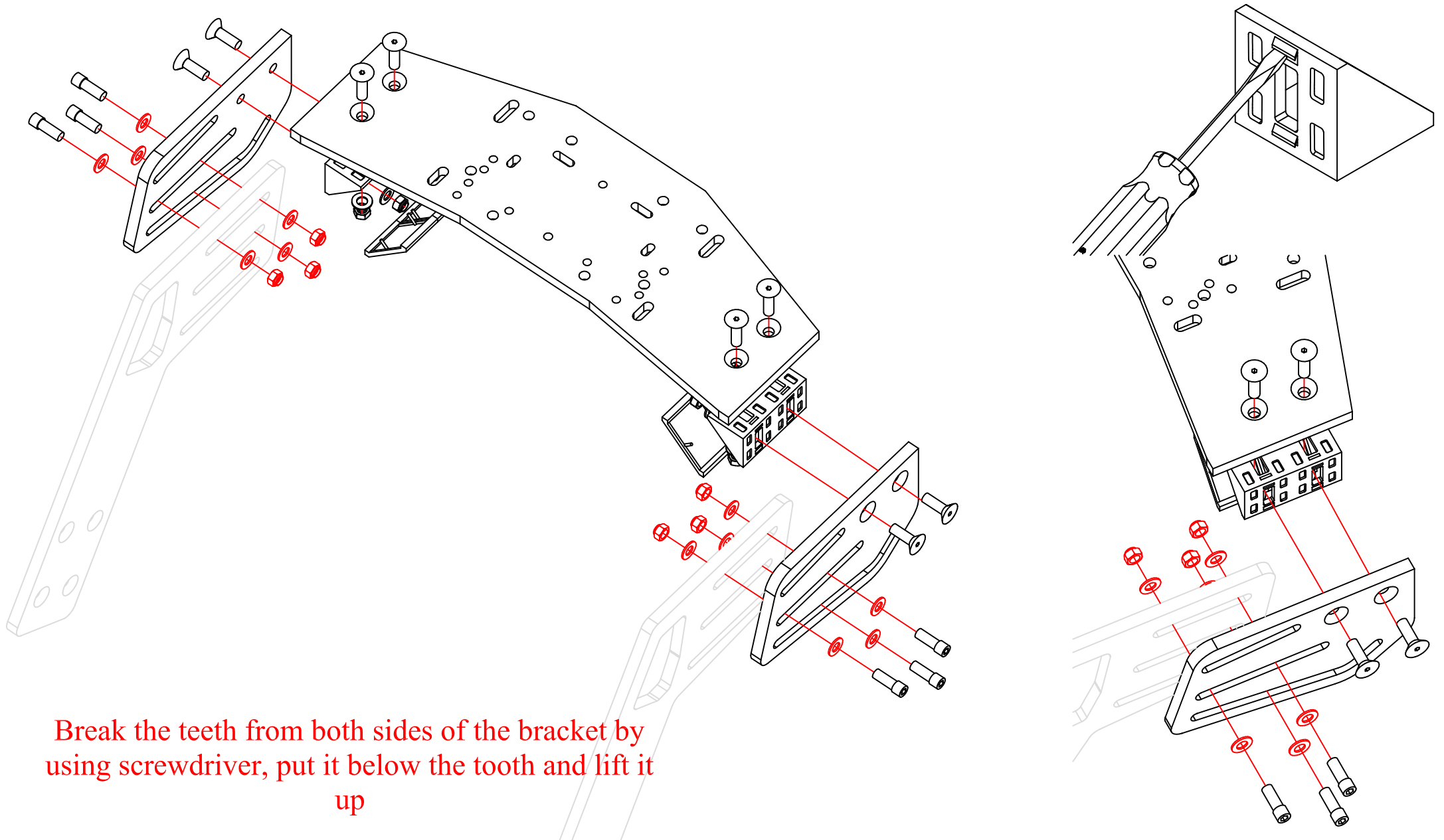
M8 x 30mm x 6



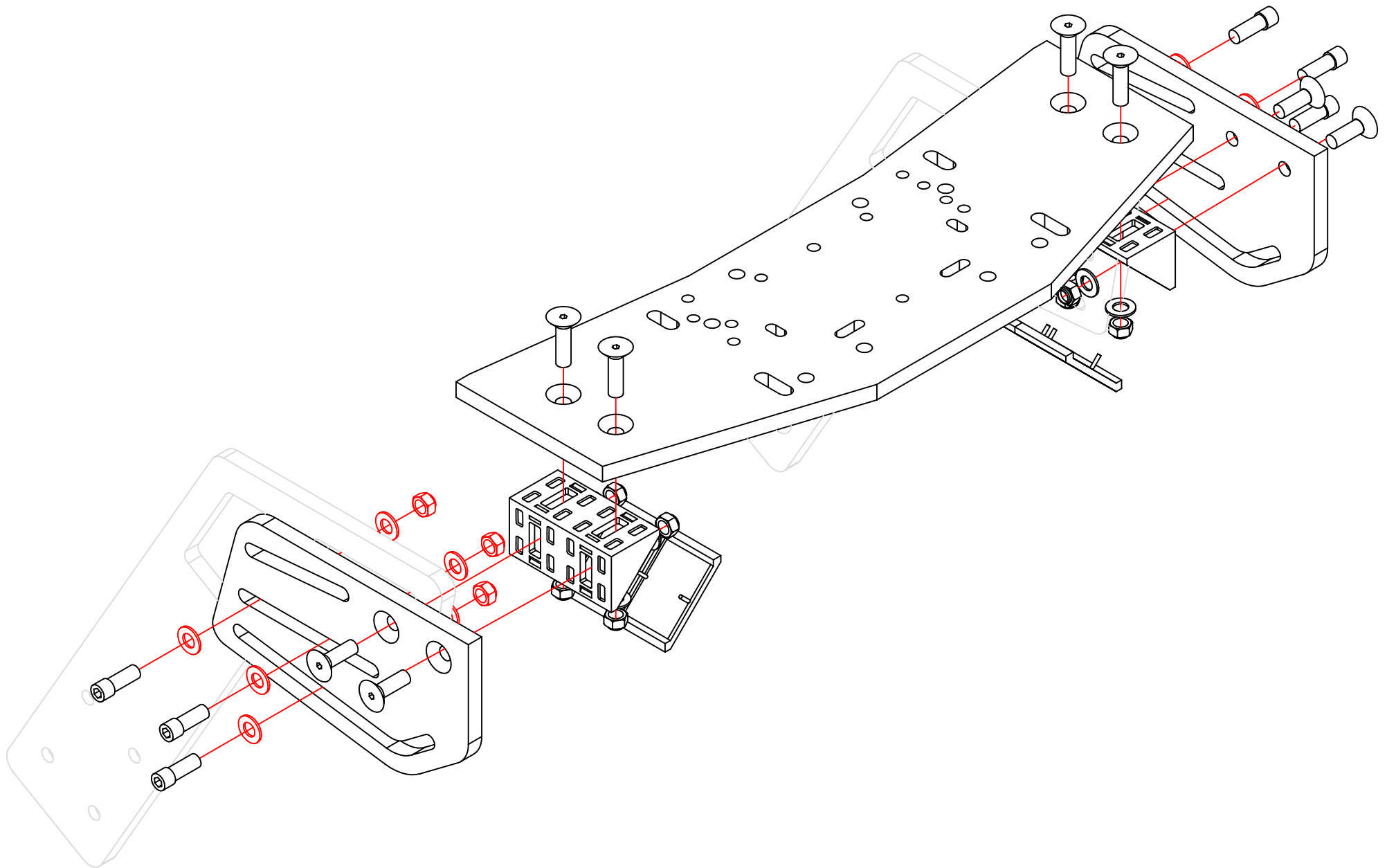
M8 x 14

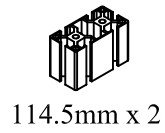
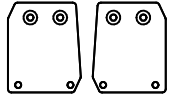


M8 x 16



Break the teeth from both sides of the bracket by using screwdriver, put it below the tooth and lift it up





114.5mm x 2



M8 x 20mm x 8



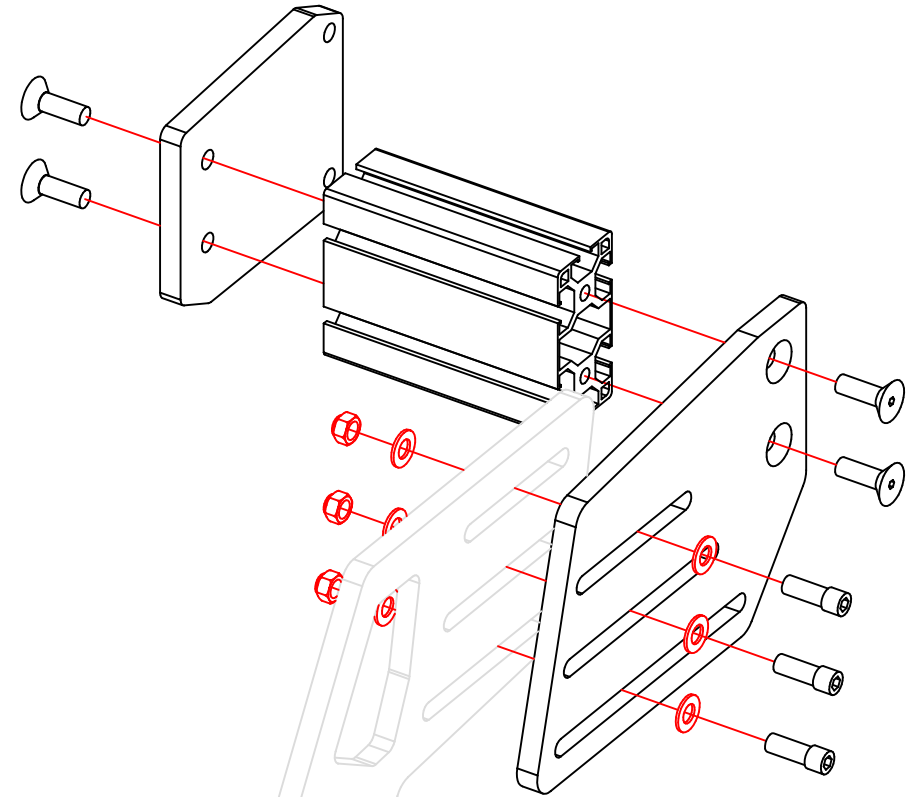
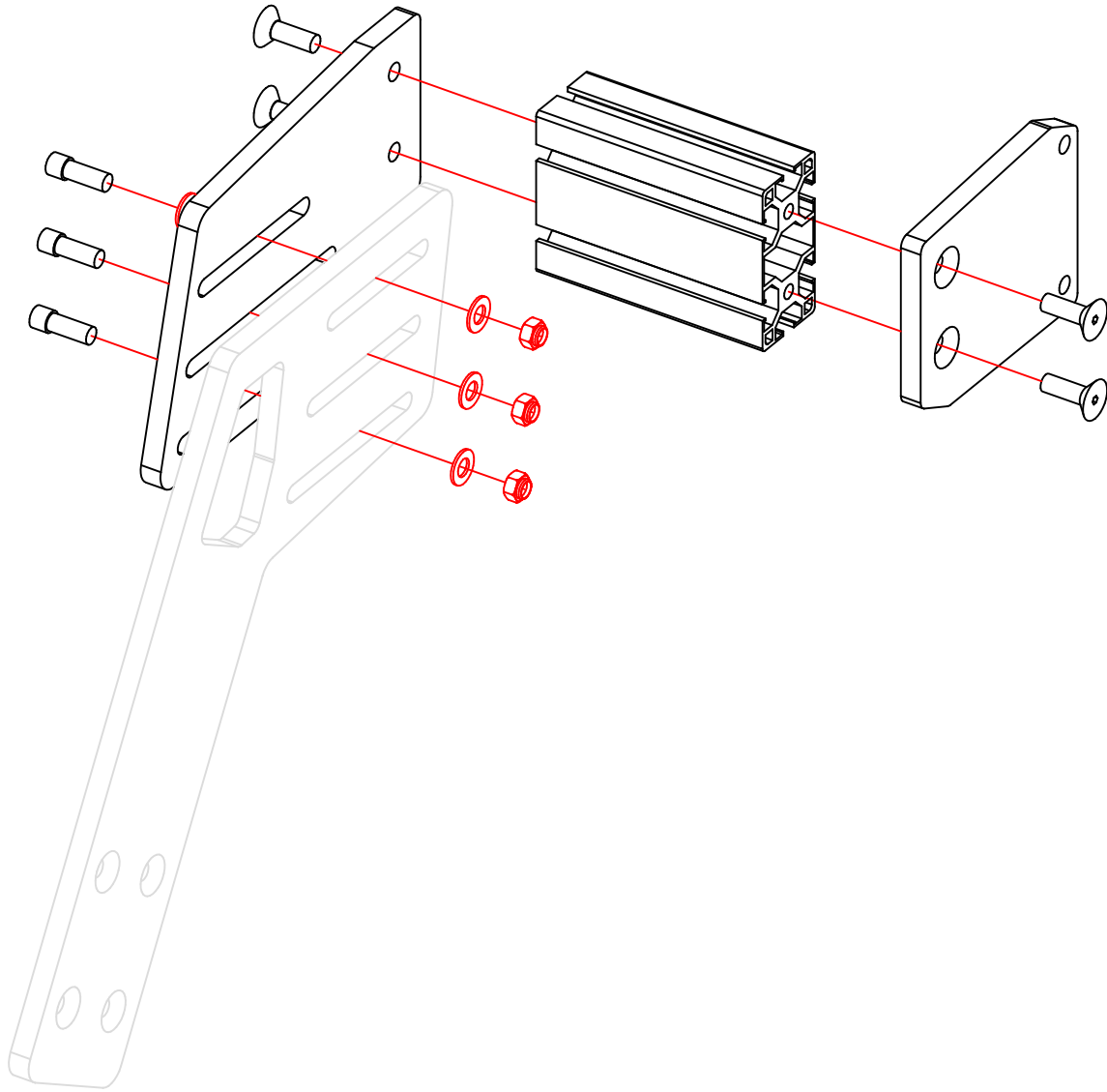
M8 x 30mm x 6



M8 x 6

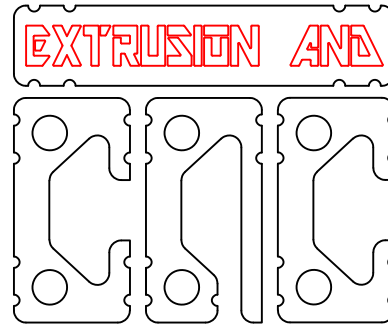


M8 x 12



# DD PODIUM MOUNT 440 mm

# Instruction manual



If you still have some questions regarding assembly of this product or about the manual itself, please refer to our support department. They can be reached at

[support@extrusionandcnc.com](mailto:support@extrusionandcnc.com)

whatsapp: +971506580398