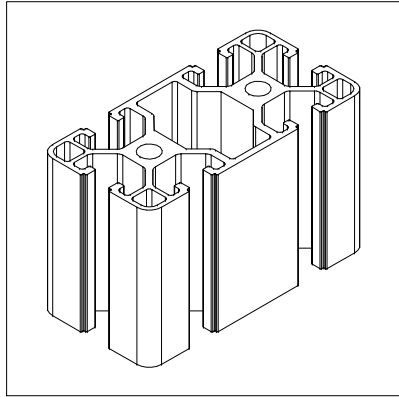
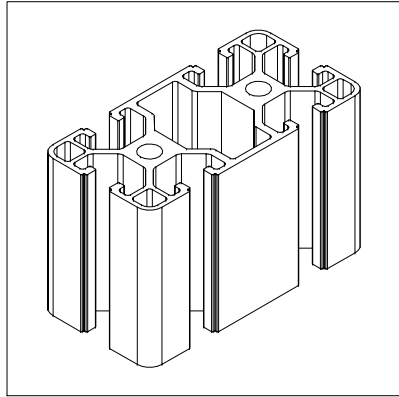


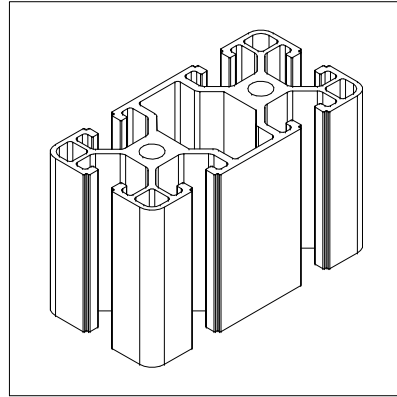
Package Includes 1/2



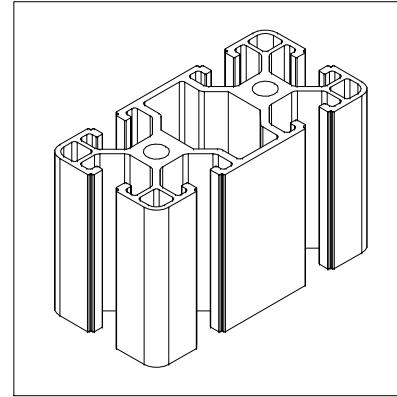
1400mm x 2



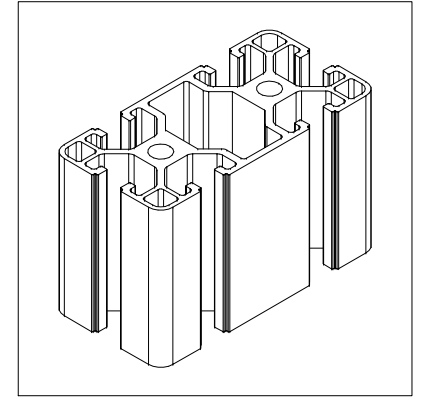
580mm x 2



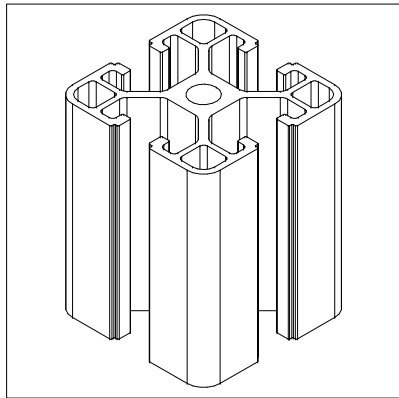
500mm x 2



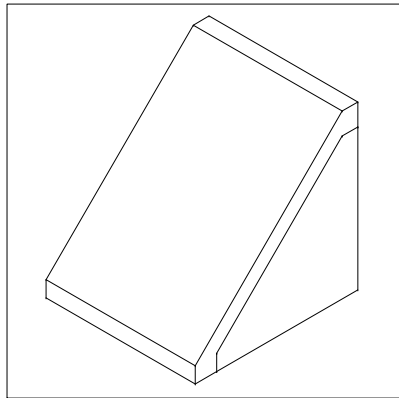
420mm x 1



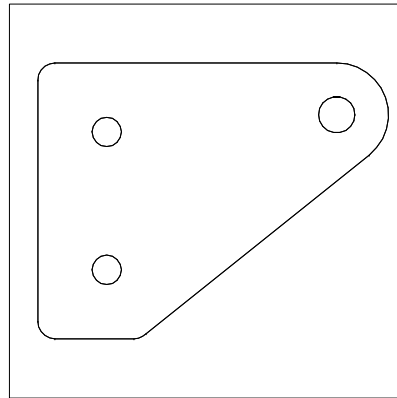
200mm x 2



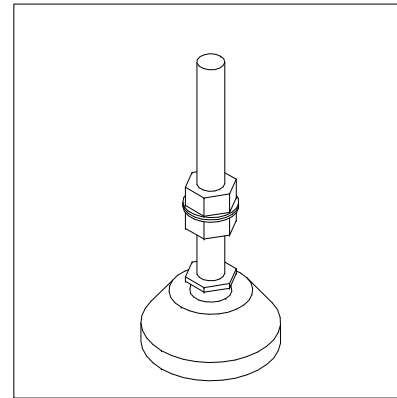
500mm x 2



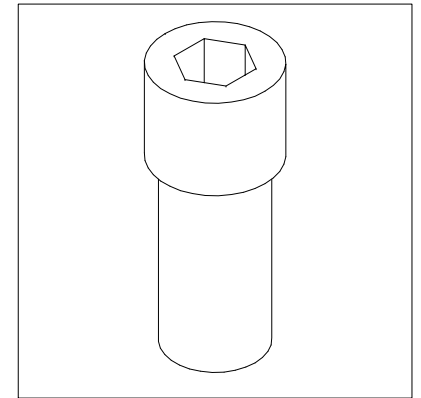
x 22



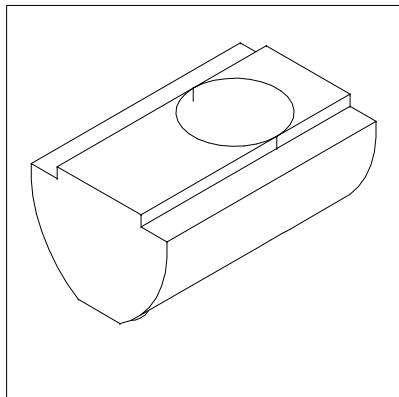
Optional Level Feet x 4



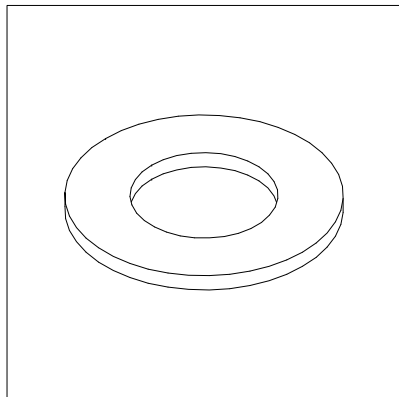
Optional Level Feet x 4



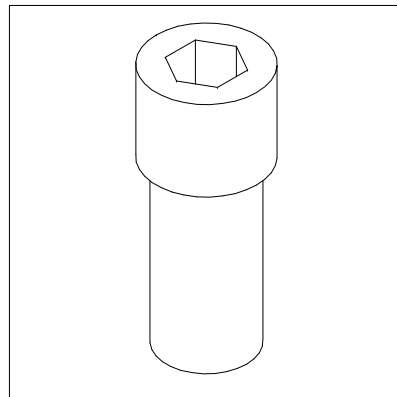
Optional Level Feet M8x25mmx8



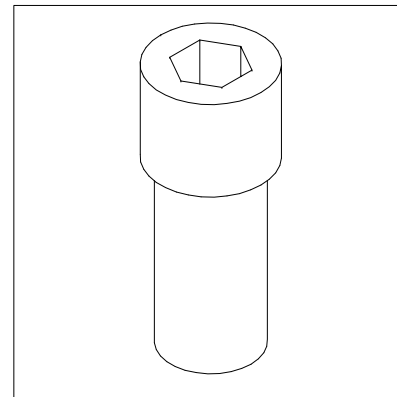
Optional Level Feet x 8



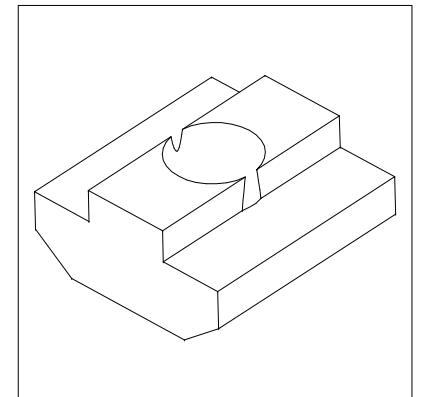
Optional Level Feet x 8



M8 x 16mm x 44

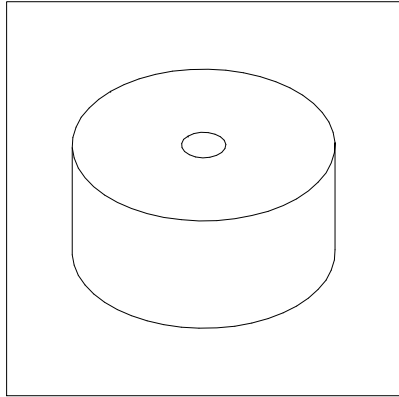


M6 x 16mm x 4

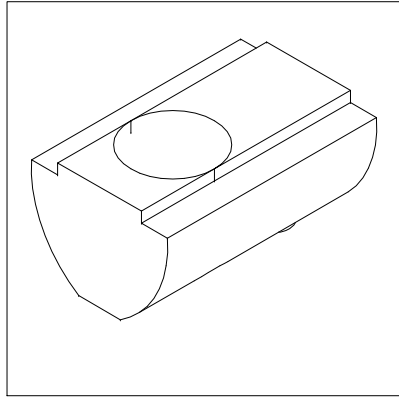


M8 x 16

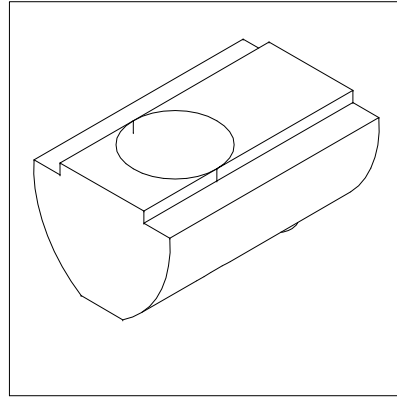
Package Includes 2/2



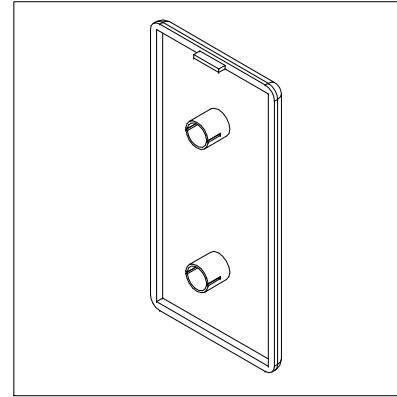
Rubber Feet x 4



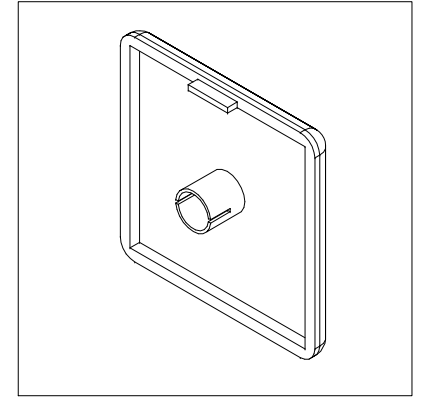
M8 x 28



M6 x 8

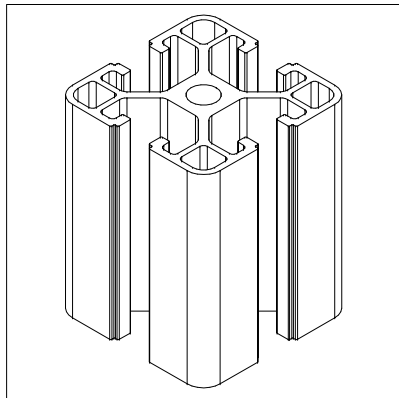


4080 x 8

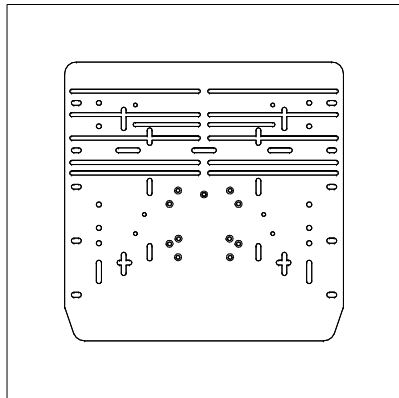


4040 x 4

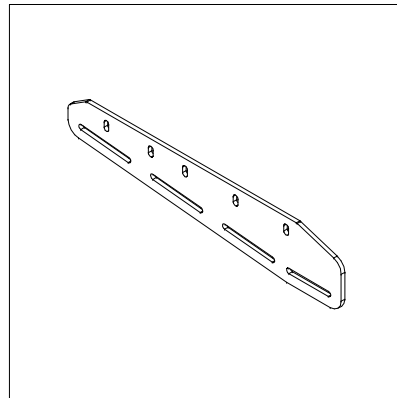
Pedals Components



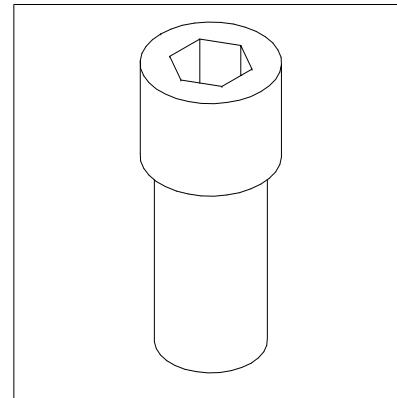
380mm x 2



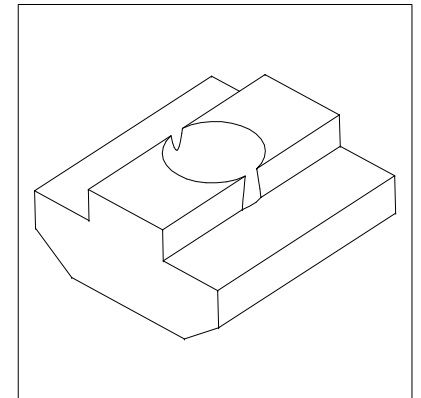
x 1



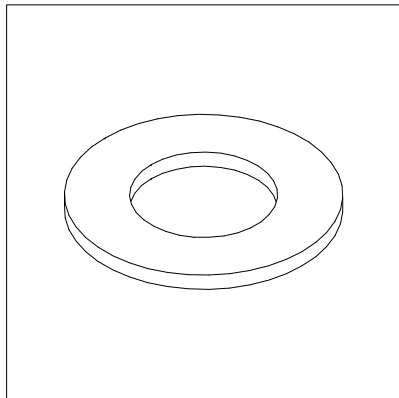
x 2



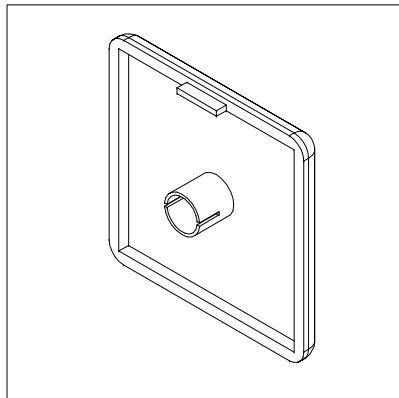
M8 x 16mm x 24



M8 x 24

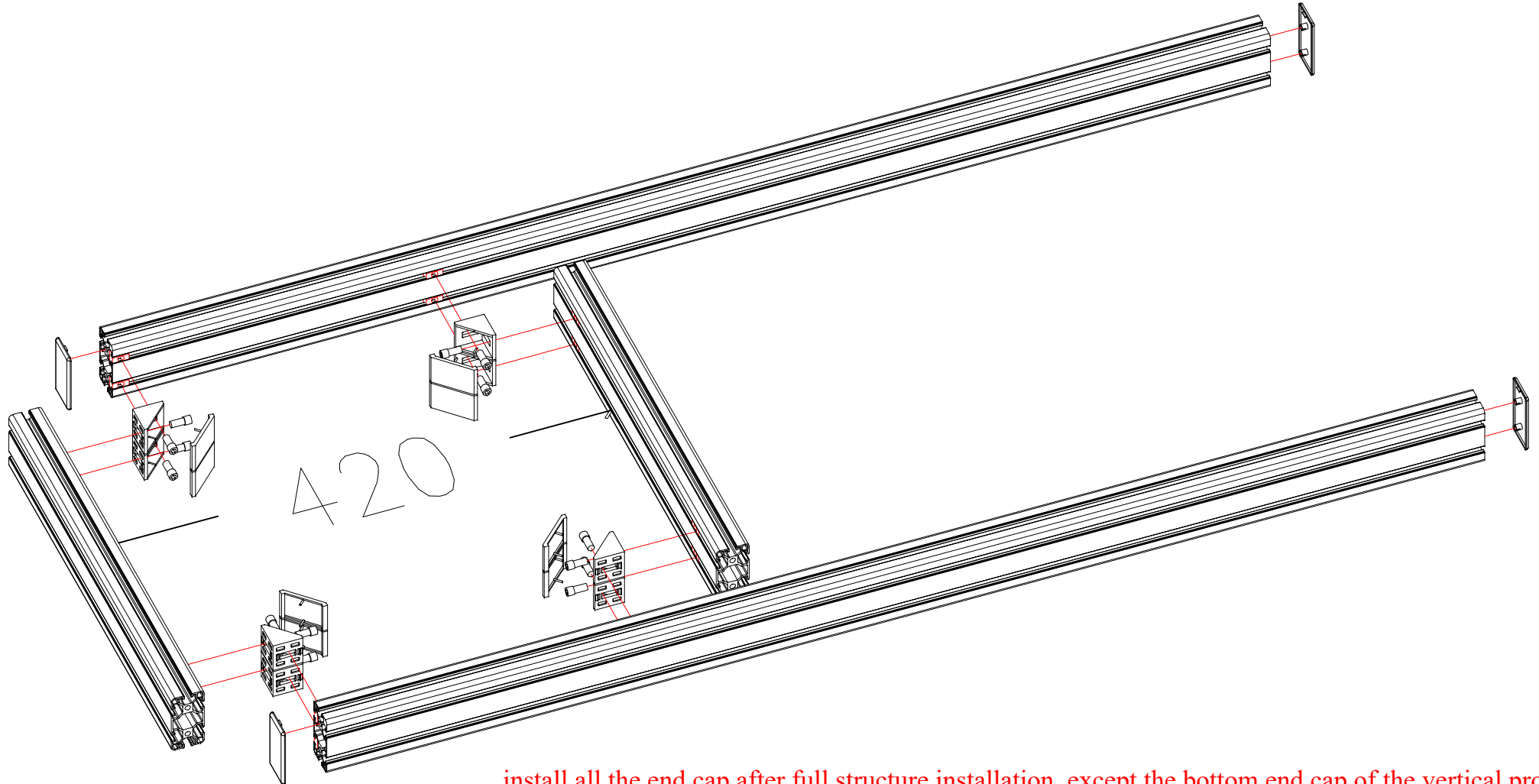
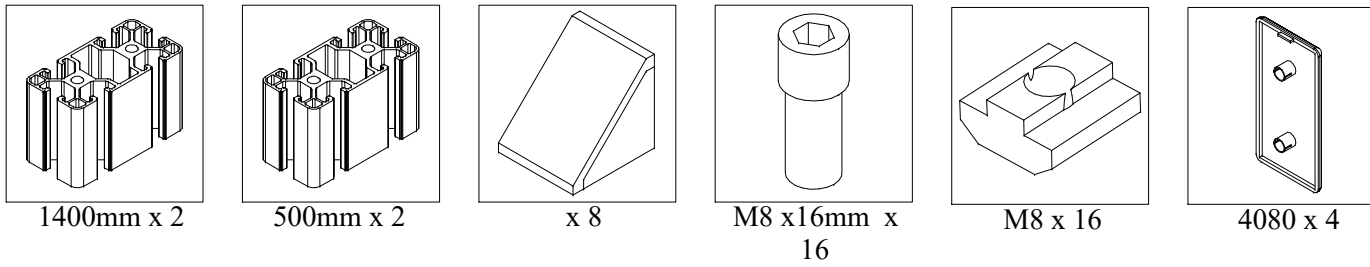


M8 x 24



x 4

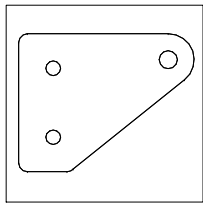
GT1 - ALPHA Structure



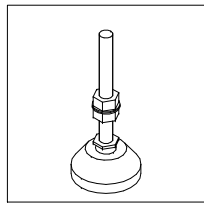
install all the end cap after full structure installation, except the bottom end cap of the vertical profiles

Level Feet Fasteners Pack

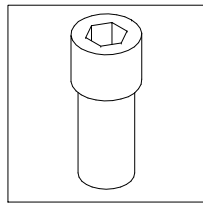
Optional Version



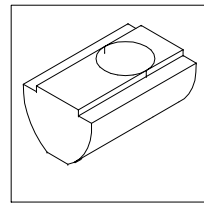
x 4



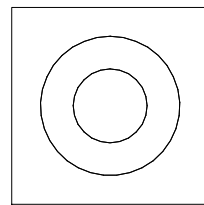
x 4



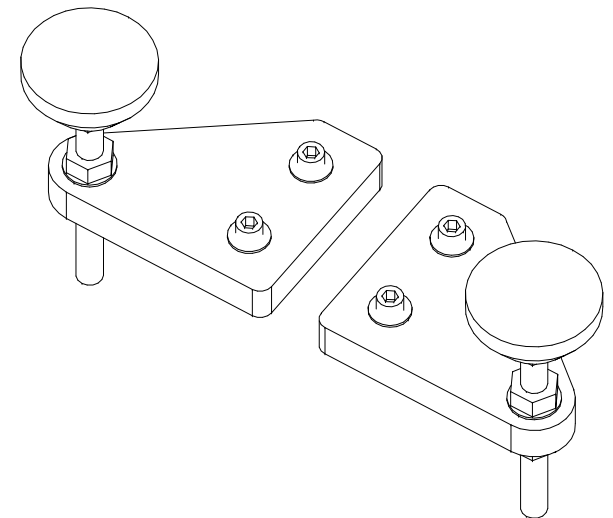
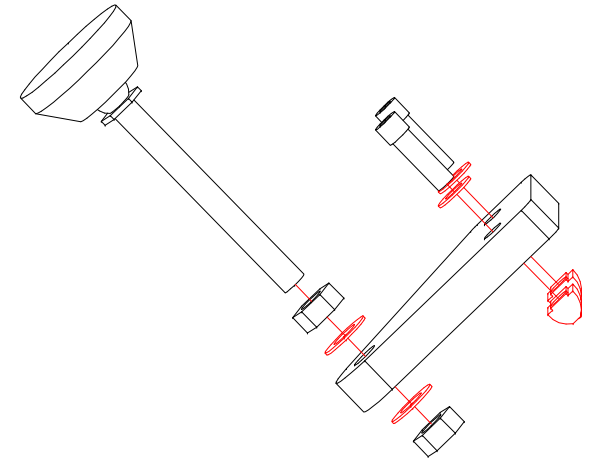
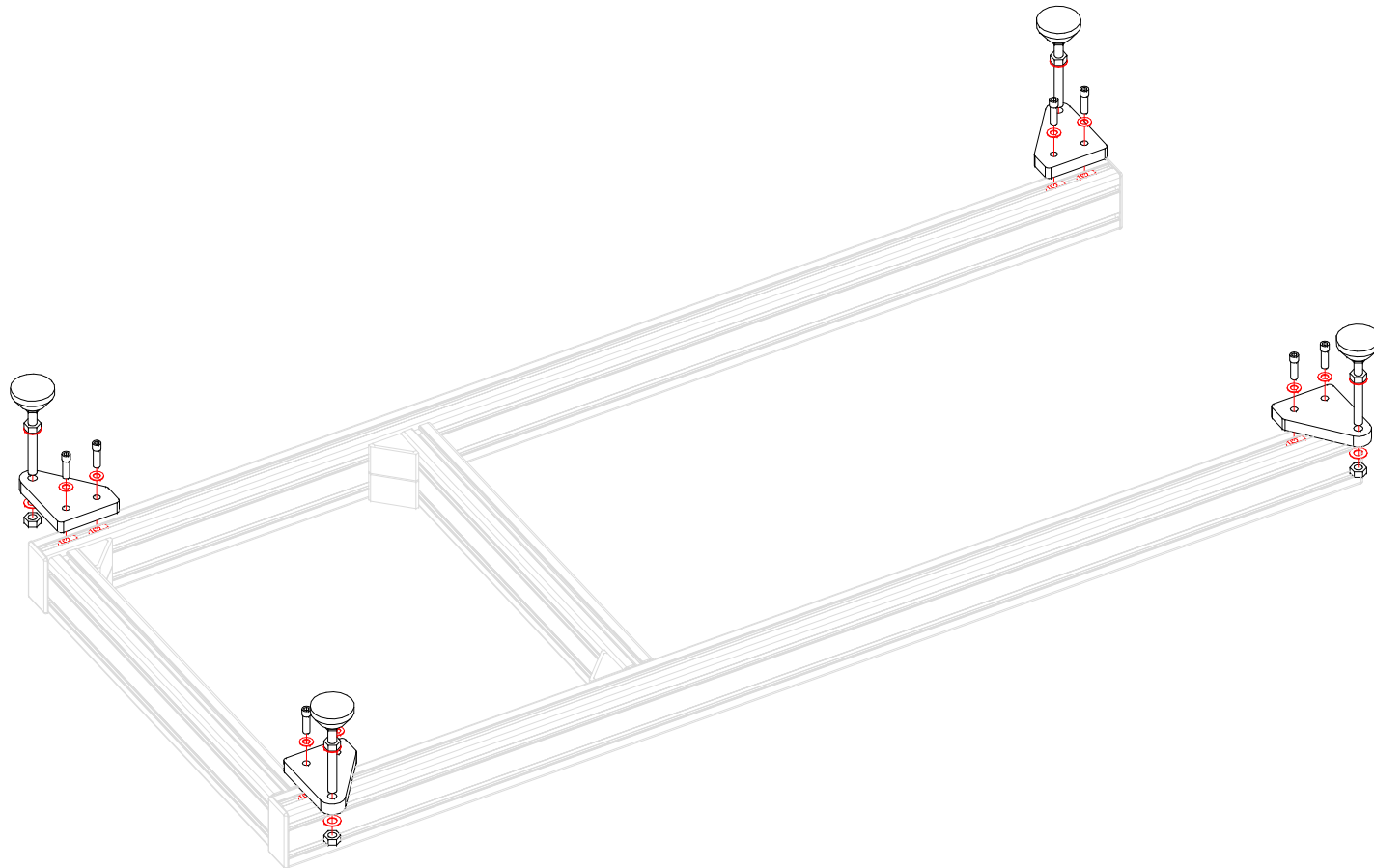
M8 x 25mm x 8



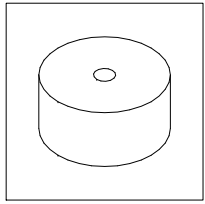
M8 x 8



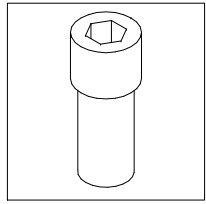
M8 x 8



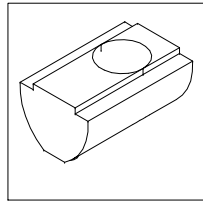
Rubber Feet Fasteners Pack Standard Version



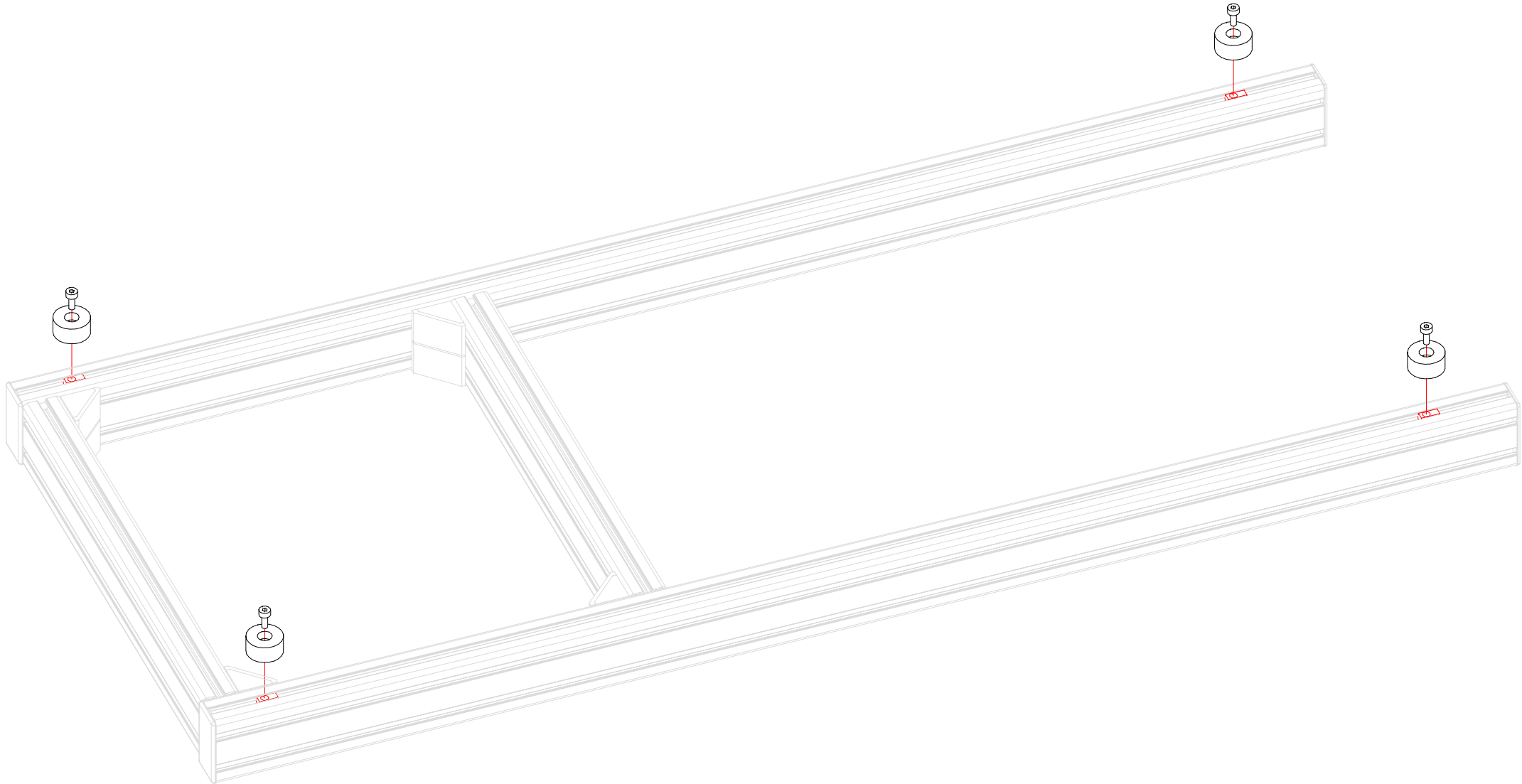
x 4



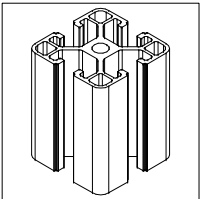
M6 x 16mm x 4



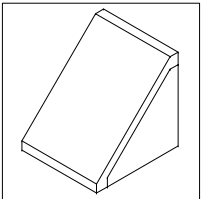
M6 x 4



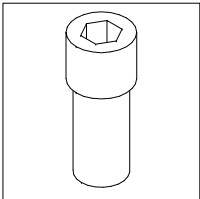
GT1 - ALPHA Structure



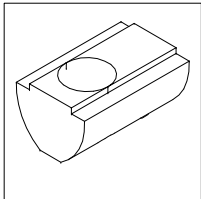
500mm x 2



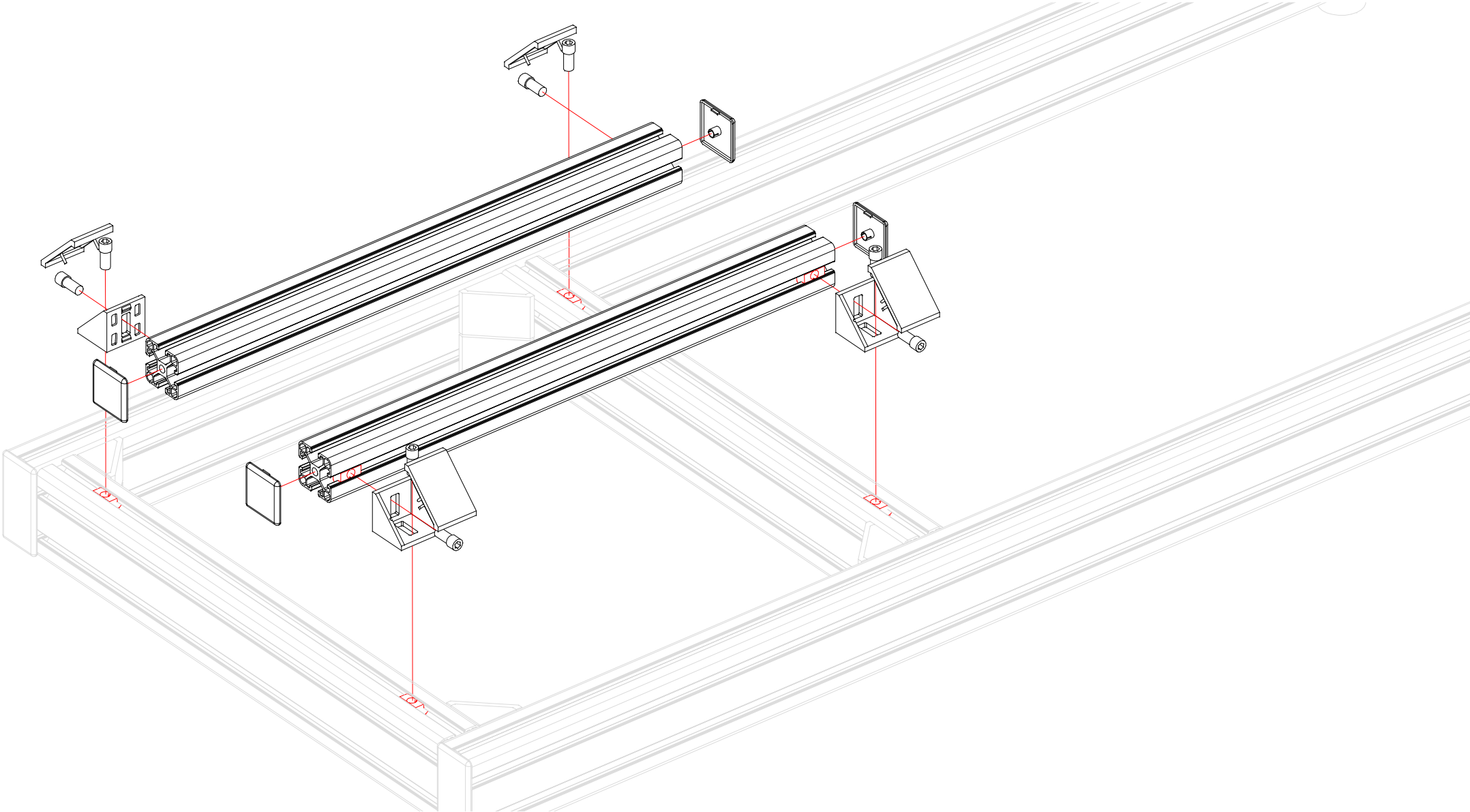
x 4



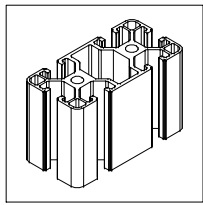
M8 x 16mm x
8



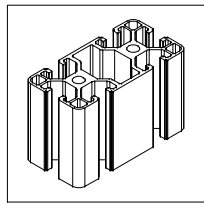
M8 x 8



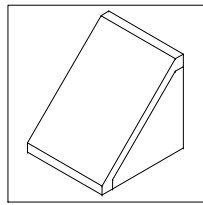
GT1 - ALPHA Structure



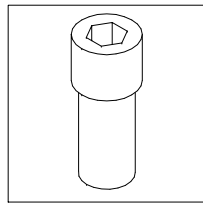
580mm x 2



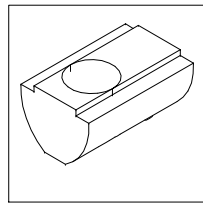
200mm x 2



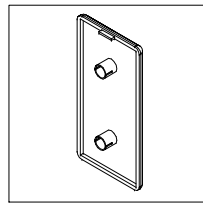
x 8



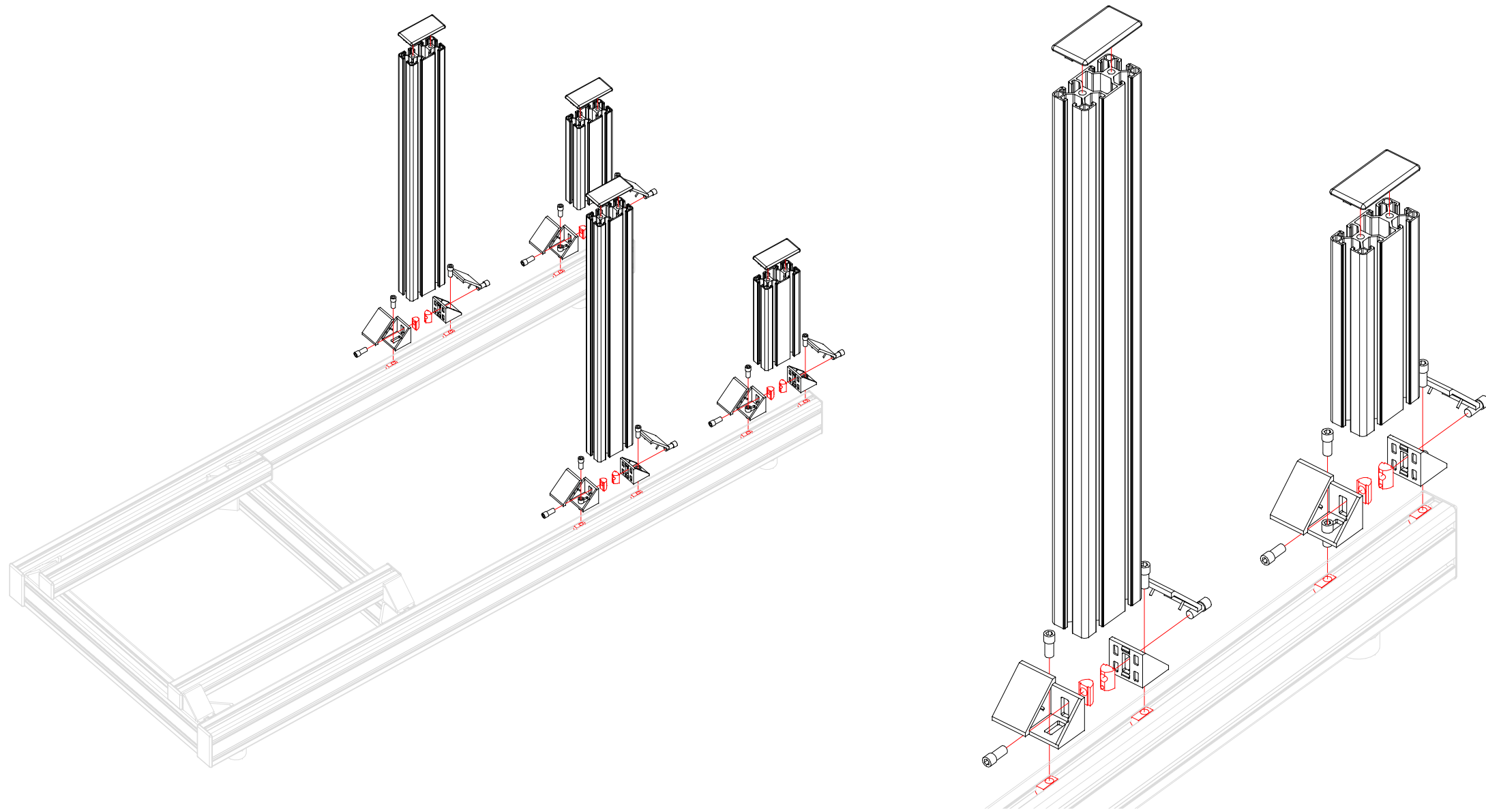
M8 x 16mm x
16

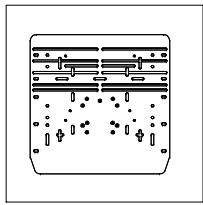


M8 x 16

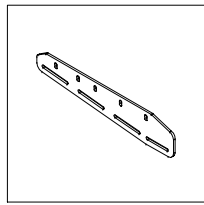


x 4

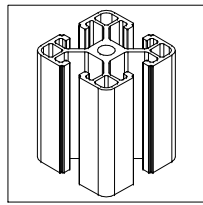




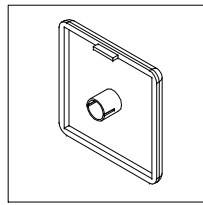
x 1



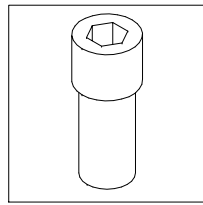
x 2



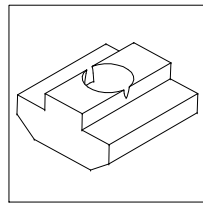
380mm x 2



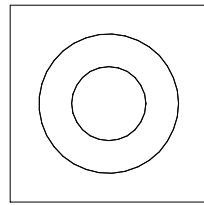
x 4



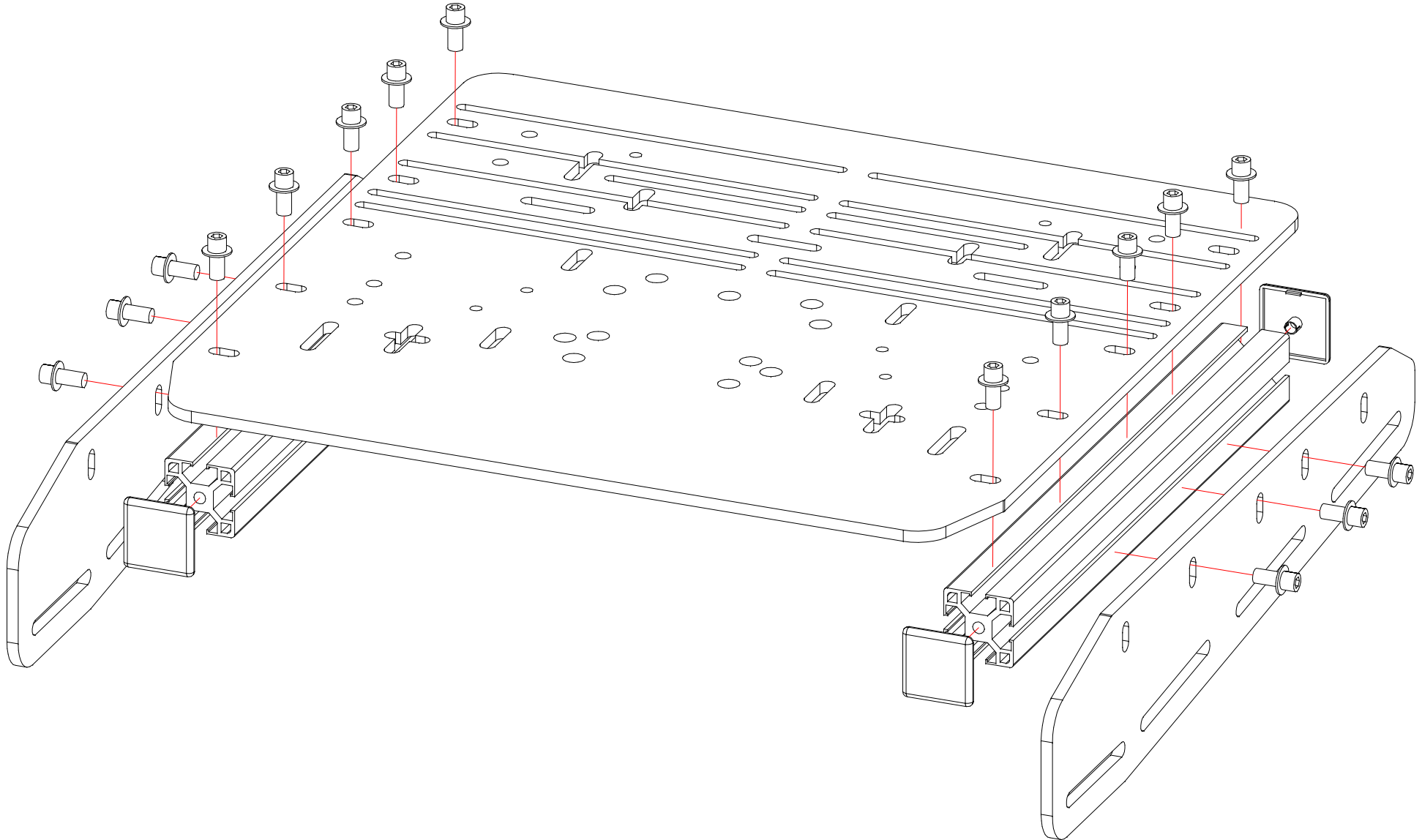
M8 x 16mm x
20



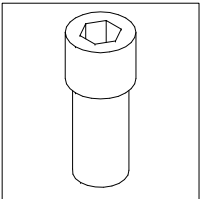
M8 x 20



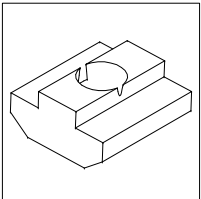
x 20



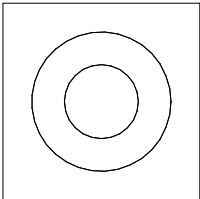
GT1 - ALPHA Pedal Tray



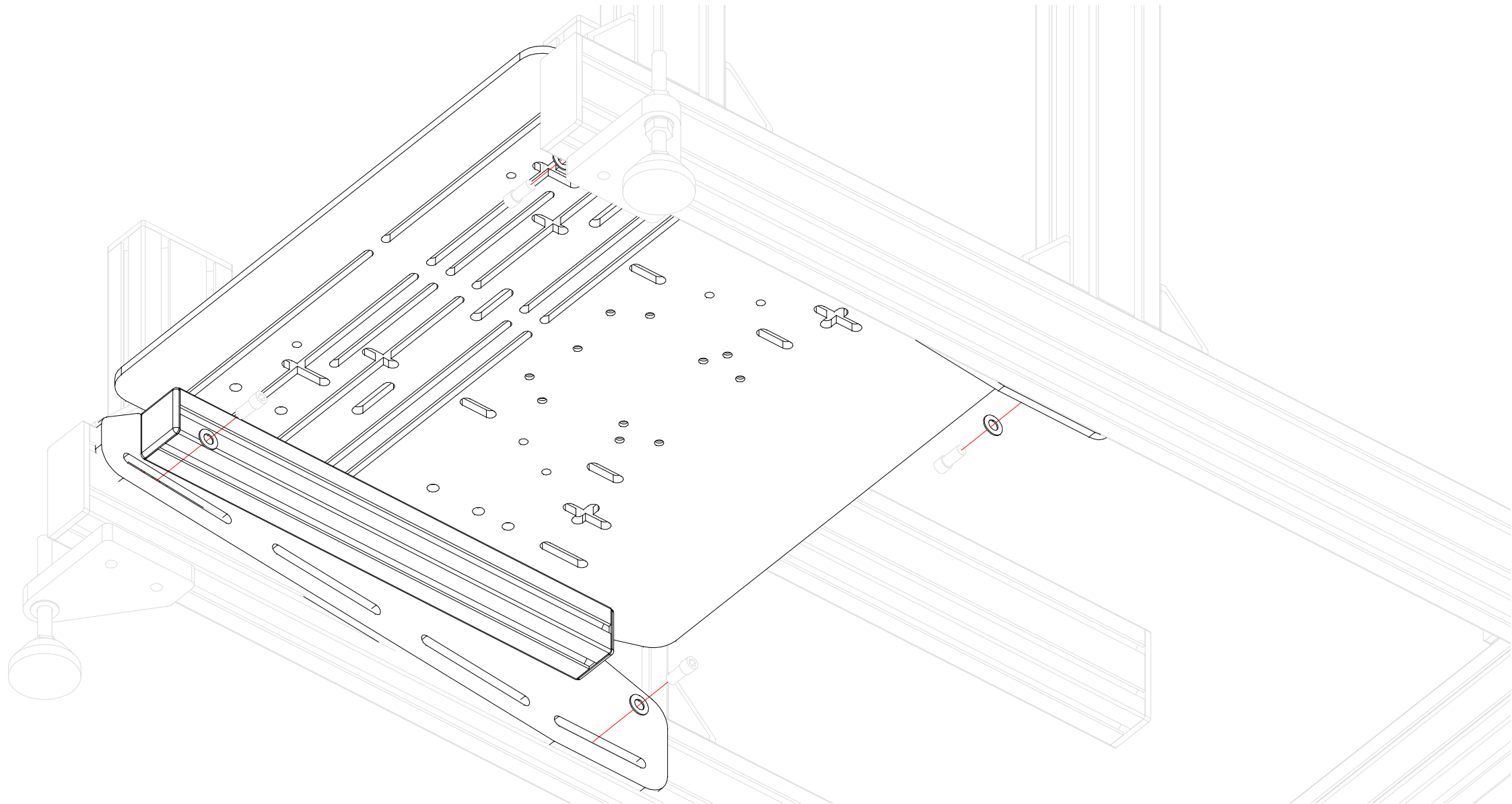
M8 x 16mm x 4

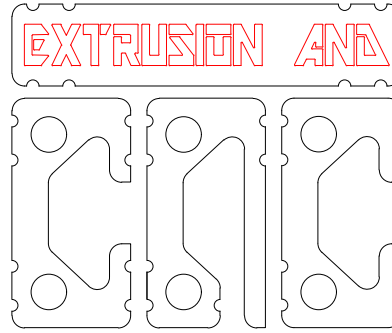


M8 x 4



x 4





If you still have some questions regarding assembly of this product or about the manual itself, please refer to our support department. They can be reached at

support@extrusionandcnc.com

whatsapp: +971506580398