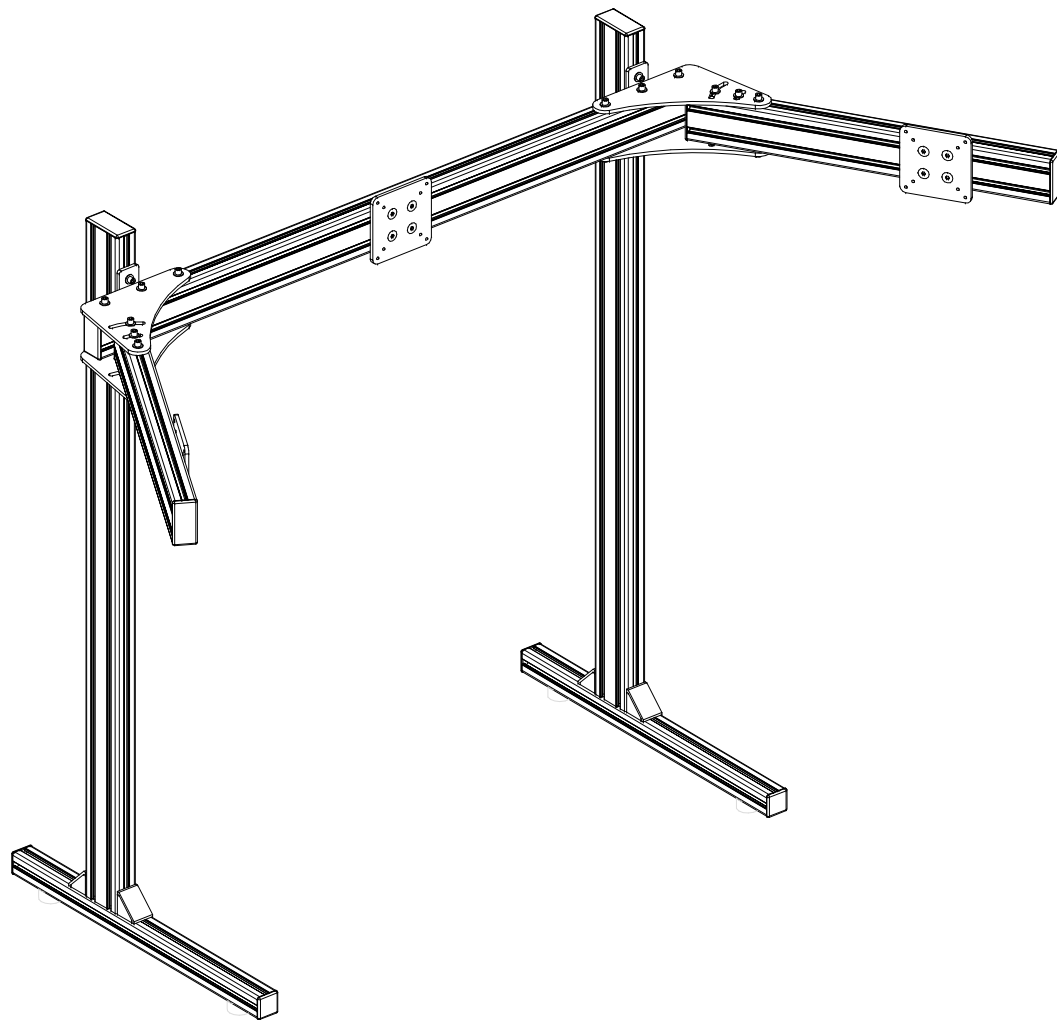
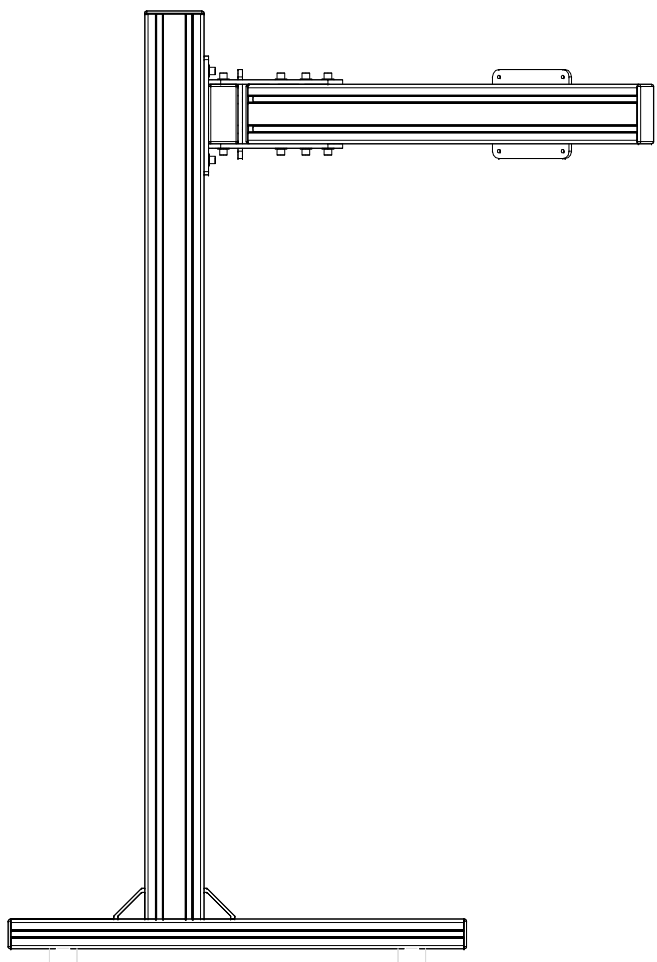
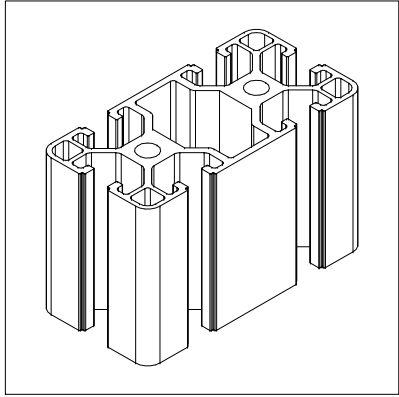


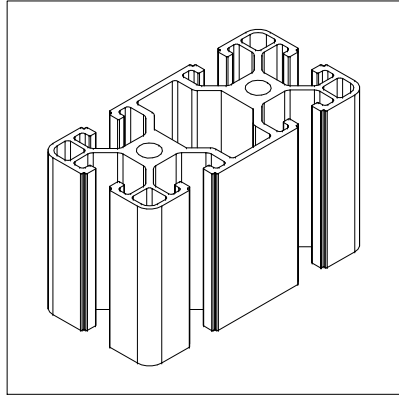
Monitor Stand Instruction manual



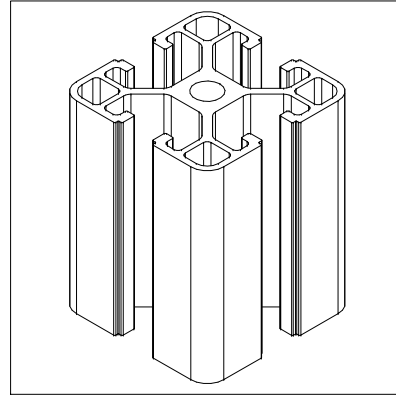
Package Includes 1/2



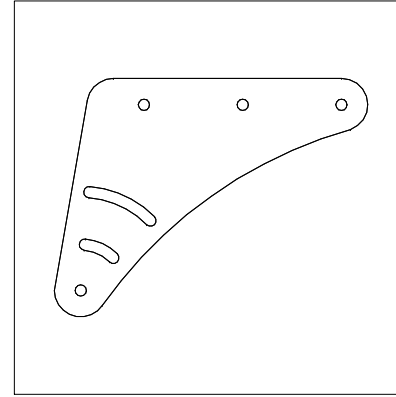
1220mm x 3



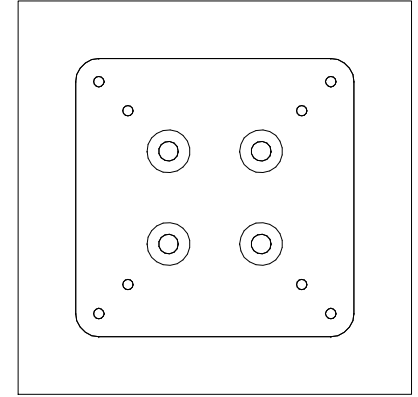
610mm x 2



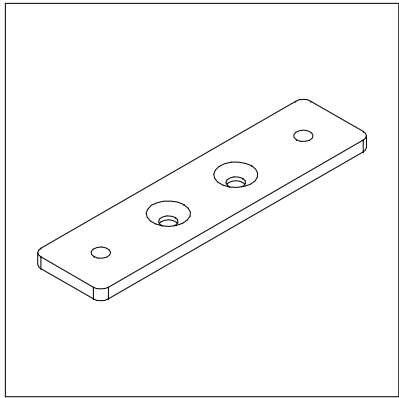
610mm x 2



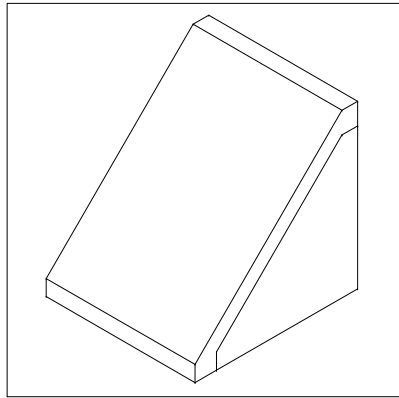
x 4



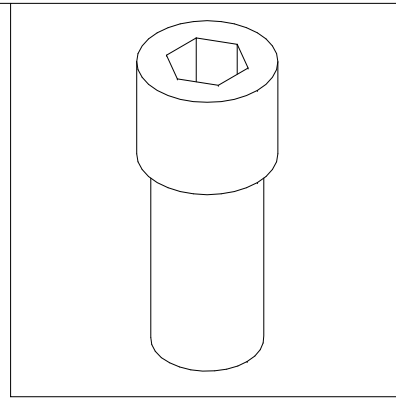
x 3



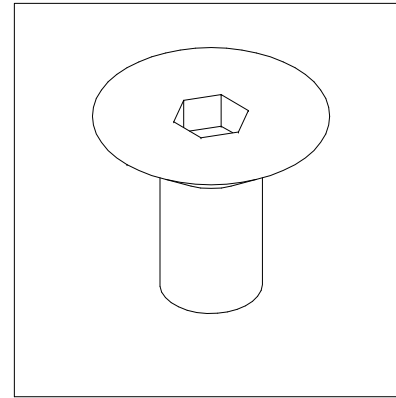
x 2



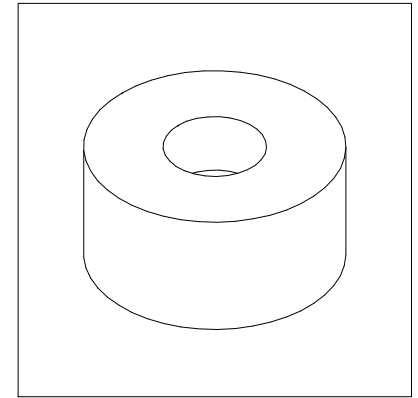
x 4



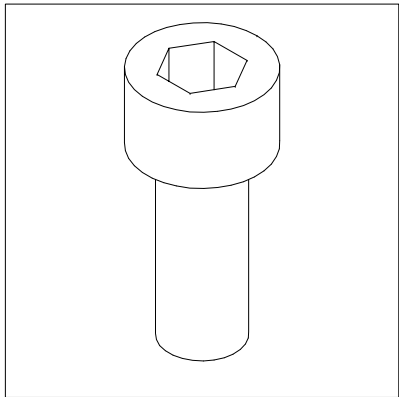
M8 x 16mm x 36



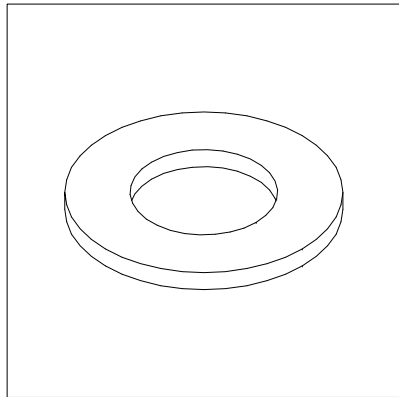
M8 x 16mm x 16



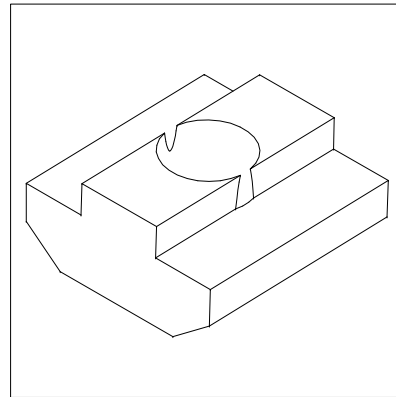
x 4



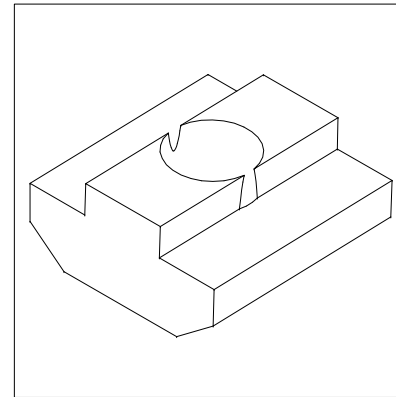
M6 x 16mm x 4



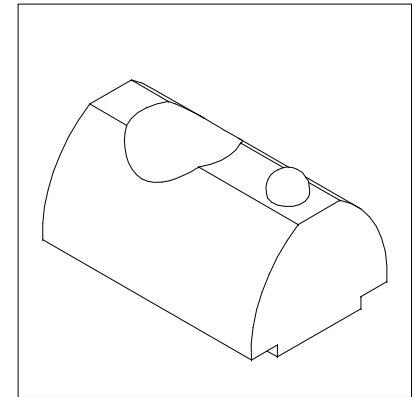
M8 x 28



M8 x 28

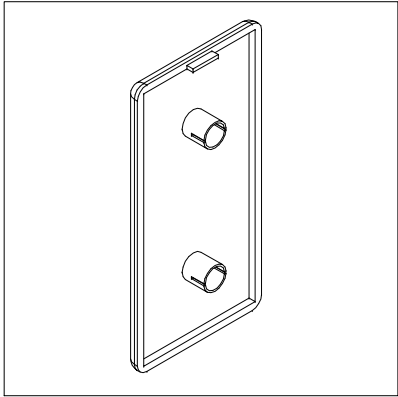


M6 x 4

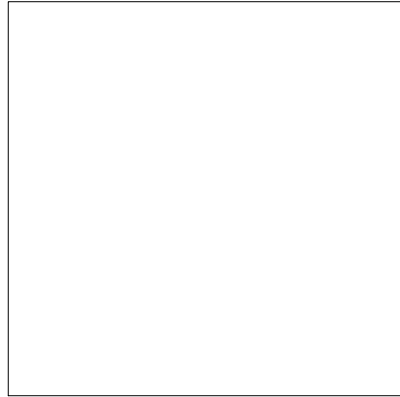


M8 x 24

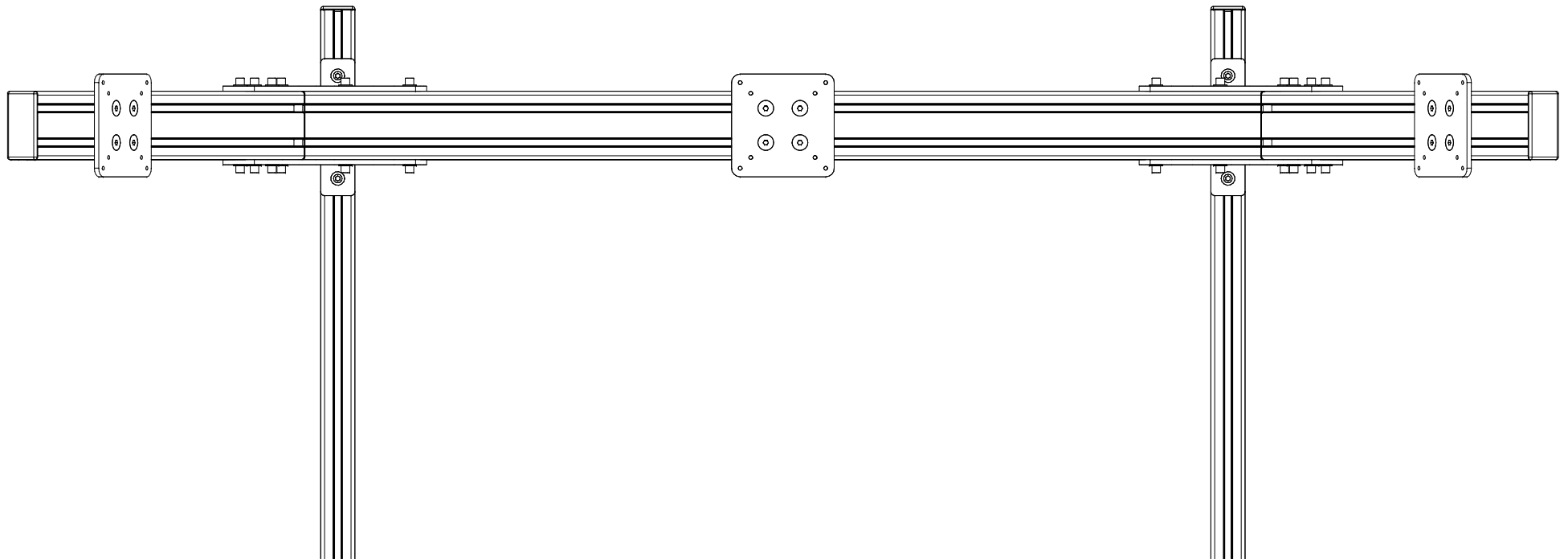
Package Includes 2/2

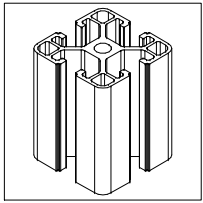


x 8

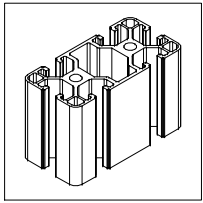


x 4

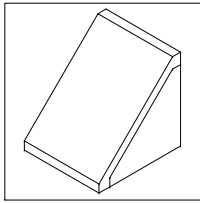




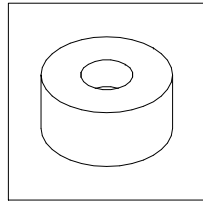
610mm x 4



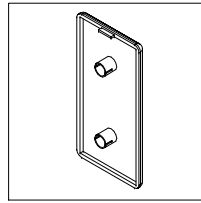
1220mm x 2



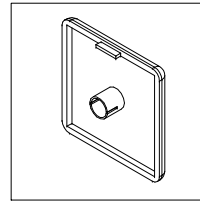
x 4



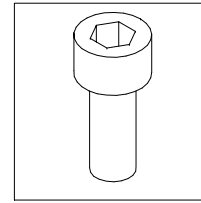
x 4



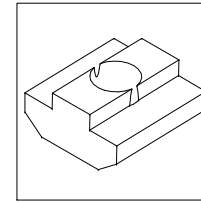
x 2



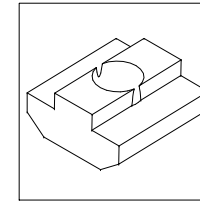
x 4



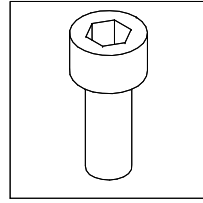
M8 x 16mm x 8



M8 x 8



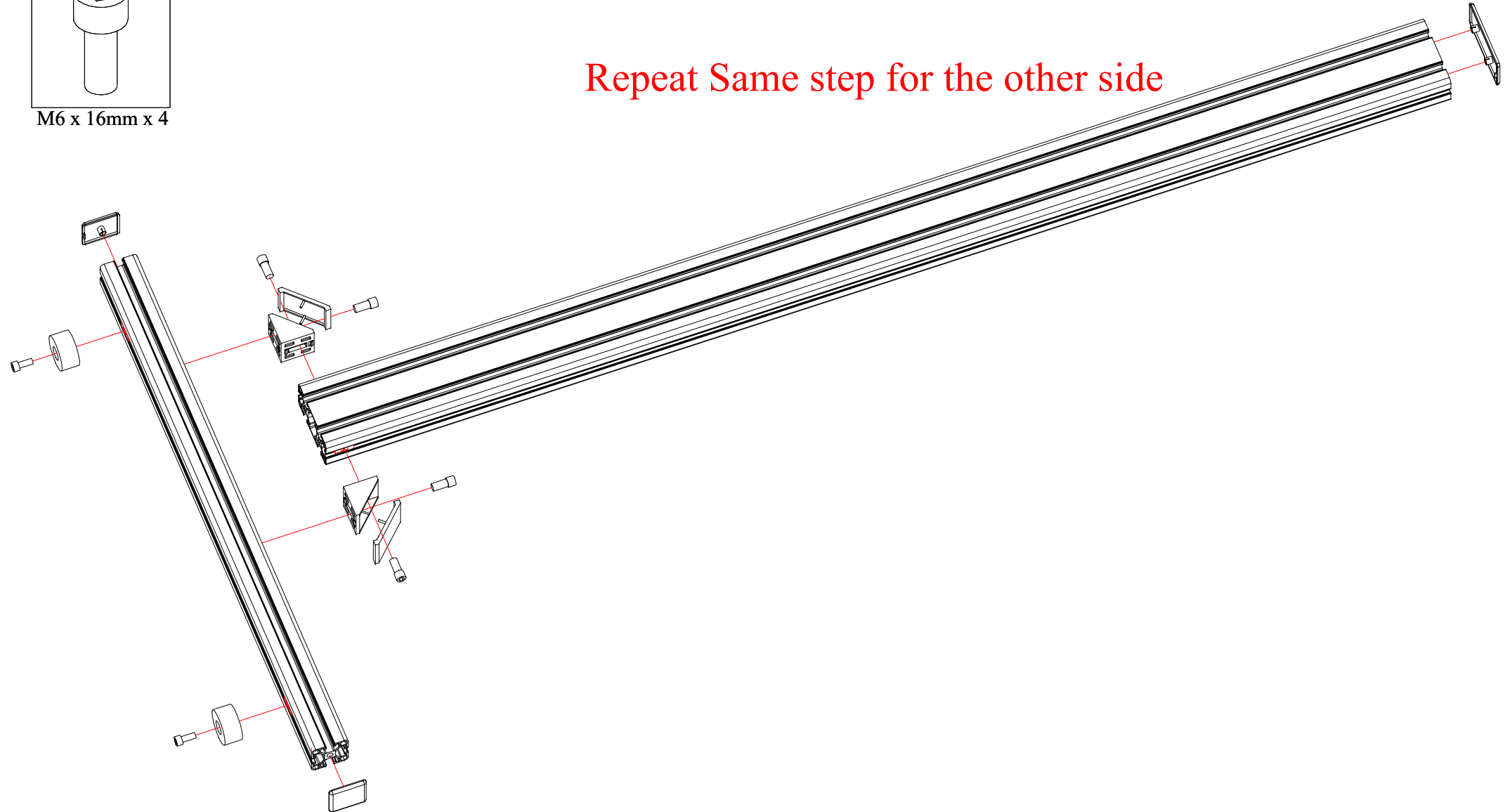
M6 x 4



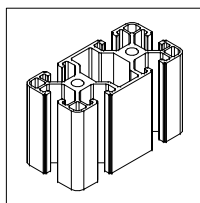
M6 x 16mm x 4

Structural Fasteners Pack

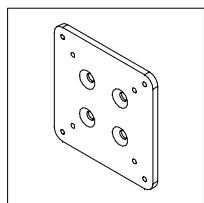
Repeat Same step for the other side



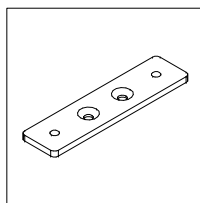
Pivot Fasteners Pack



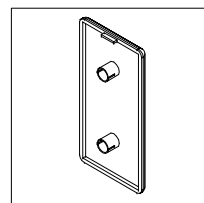
1220mm x 1



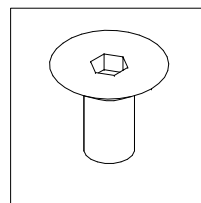
x 1



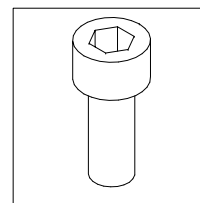
x 2



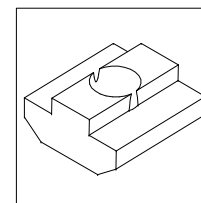
4080 x 2



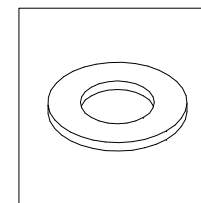
M8 x 16mm x 8



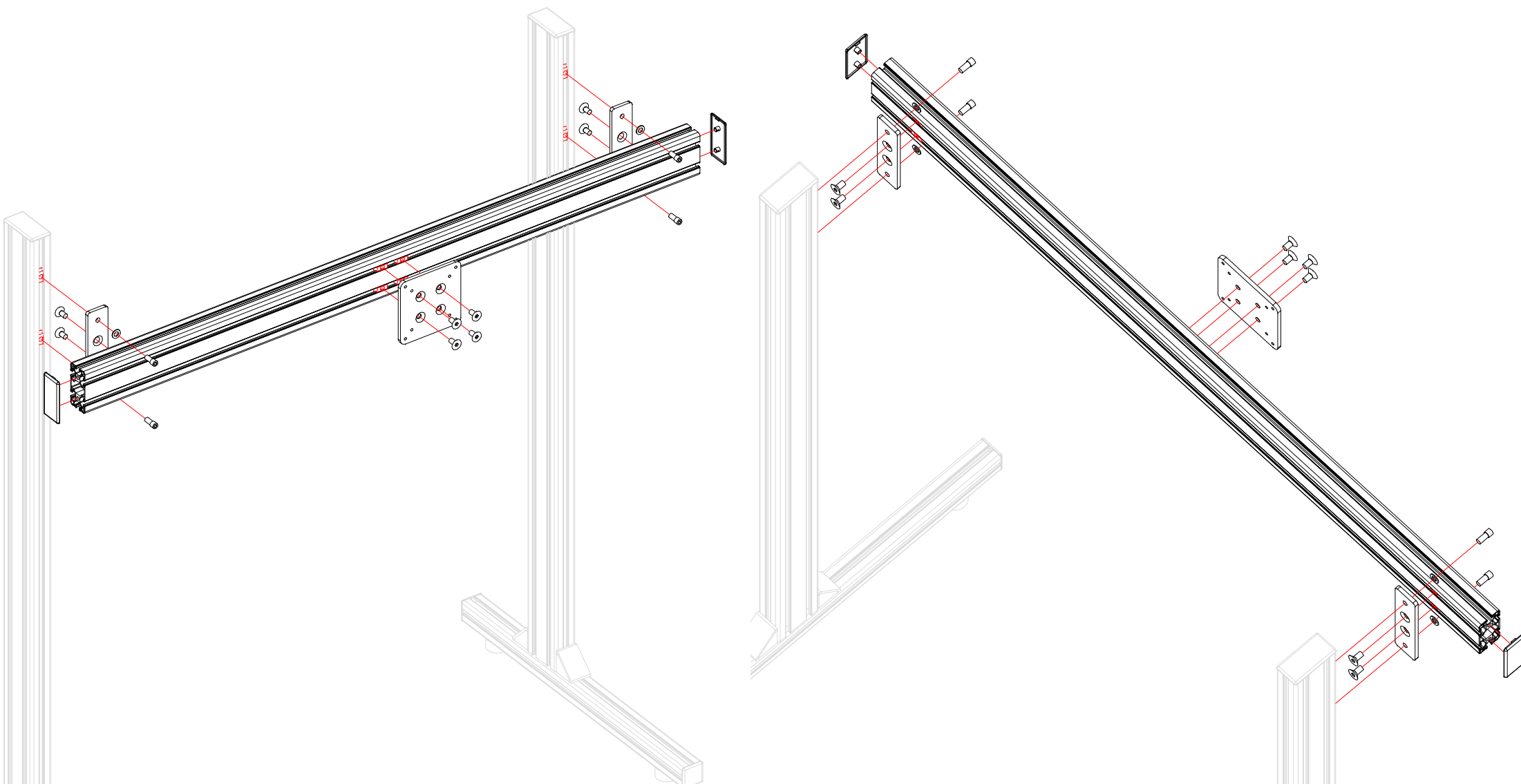
M8 x16mm x 4

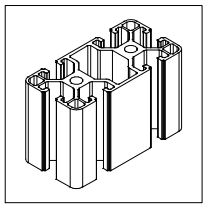


M8 x 12

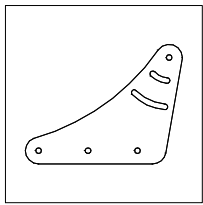


M8 x 4

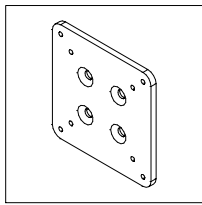




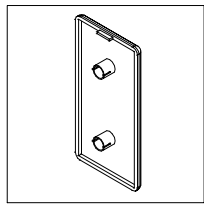
610mm x 2



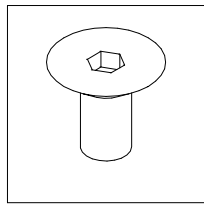
x 4



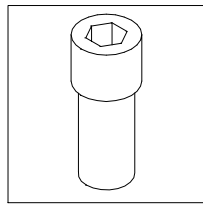
x 2



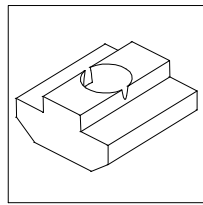
4080 x 4



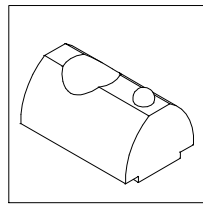
M8x 16mm x 8



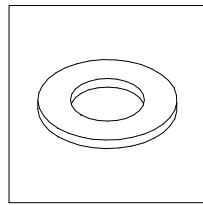
M8x16mm x 24



M8 x 8

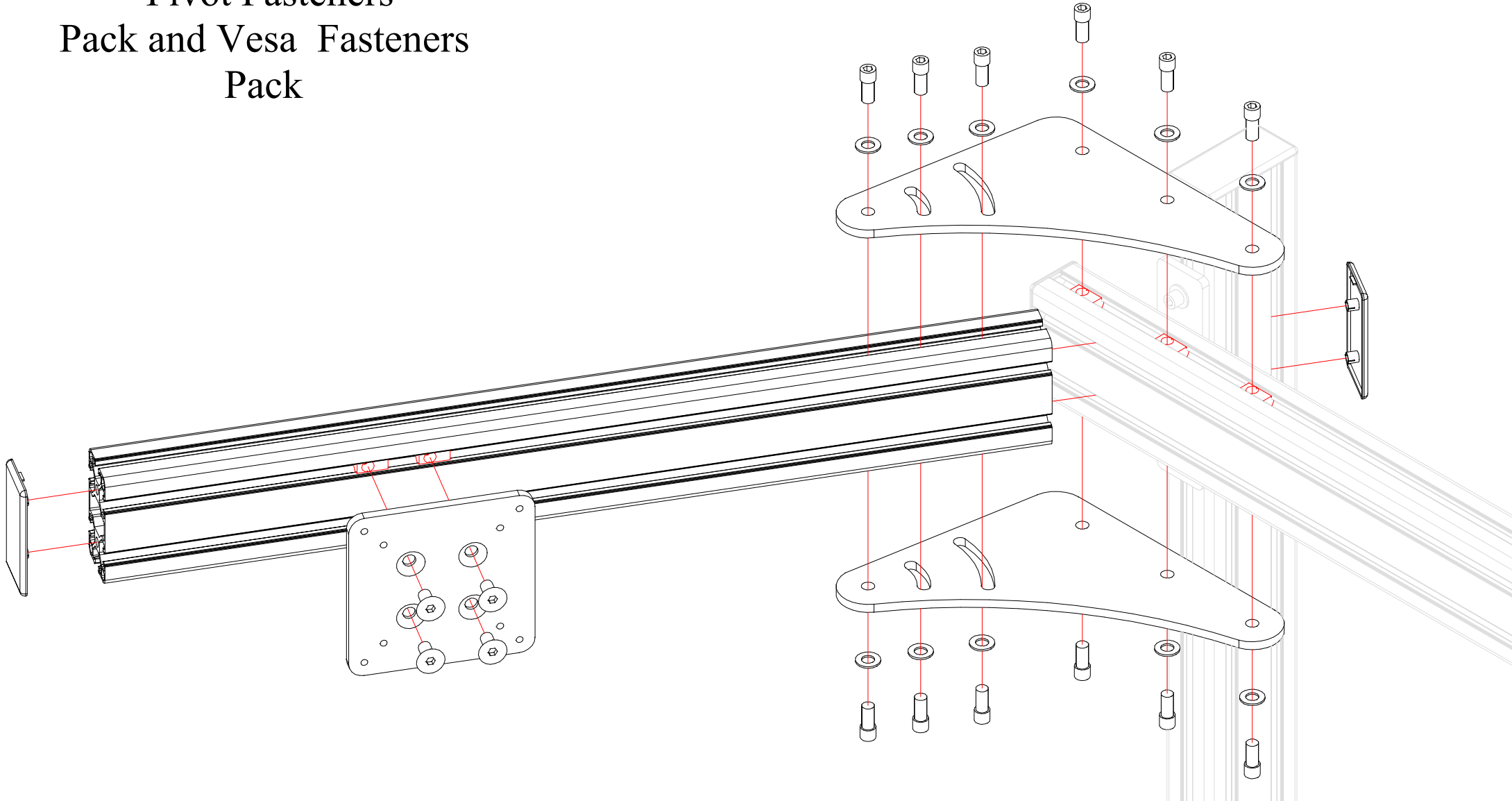


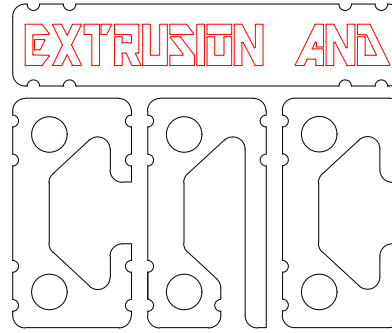
M8 x 24



M8 x 24

Pivot Fasteners Pack and Vesa Fasteners Pack





If you still have some questions regarding assembly of this product or about the manual itself, please refer to our support department. They can be reached at

support@extrusionandcnc.com

whatsapp: +971506580398