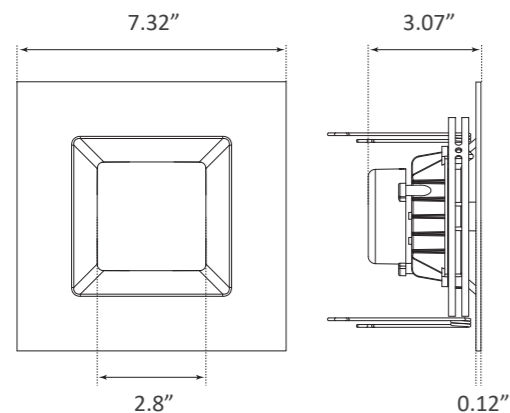


6" LED RETROFIT DOWNLIGHT

ALUMINIUM TRIM SQUARE DESIGN



Weight 197g
Dimensions 7.32" x 7.32" x 3.07"

The Parmida LED Technologies™ 6 inch Smooth Design Downlight is an enhanced and modernized retrofit light. Manufactured with innovative standard spring Installation technology to provide a much simpler and more secure installation process that is compatible with any 6" housing, modern or traditional. Constructed with a durable metal trim, this product is built with Steady-Dim technology and is compatible with most modern dimmers, including Lutron Caseta Wireless systems.



50,000
HOURS



WET
LOCATION
RATED



120V AC
VOLTAGE



1040
LUMENS



100 WATT
REPLACEMENT



100°
BEAM
ANGLE



INSTANT
ON



NO HUMMING/
BUZZING

PRODUCT SPECIFICATIONS

Item Number	P-LED-DNSQ615W3000KDIM	P-LED-DNSQ615W4000KDIM	PLED-DNSQ615W5000KDIM
Wattage	15W	15W	15W
Lumens	1040lm	1040lm	1040lm
Voltage	120V AC	120V AC	120V AC
Equivalent	100W	100W	100W
Beam Angle	100°	100°	100°
Dimmable	Yes	Yes	Yes
Material	Aluminum	Aluminum	Aluminum
CCT	3000K, Soft White	4000K, Cool White	5000K, Day Light
CRI	>90	>90	>90
LED Driver Type	DOB (Driver on Board)	DOB (Driver on Board)	DOB (Driver on Board)
Base type	E26	E26	E26
Life	50,000 Hours	50,000 Hours	50,000 Hours
Efficiency	87%	87%	87%
Certification	ES, ETL, FCC, JA8	ES, ETL, FCC, JA8	ES, ETL, FCC
Warranty	5 Years	5 Years	5 Years