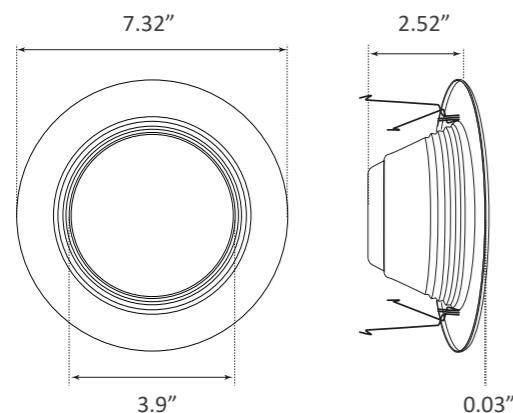


# 5/6" LED RETROFIT DOWNLIGHT

## METAL TRIM BAFFLE DESIGN



The Parmida LED Technologies™ 5/6 inch Baffle Design Downlight is an energy efficient take on a traditional retrofit light. Designed with an internal baffle trim to efficiently trap and shape the light downwards. Constructed with a durable metal trim, this product is built with Steady-Dim technology and is compatible with most modern dimmers, including Lutron Caseta Wireless systems.

Weight 241g  
Dimensions 7.32" x 7.32" x 2.52"



DOWNLIGHT



50,000 HOURS



WET LOCATION RATED



120V AC VOLTAGE



1000-1100 LUMENS



100 WATT REPLACEMENT



120° BEAM ANGLE



INSTANT ON



NO HUMMING/BUZZING

## PRODUCT SPECIFICATIONS

Item Number	PLED-MBF5/615W2700KDIM	PLED-MBF5/615W3000KDIM	PLED-MBF5/615W4000KDIM	PLED-MBF5/615W5000KDIM
Wattage	15W	15W	15W	15W
Lumens	1000lm	1000lm	1000lm	1100lm
Voltage	120V AC	120V AC	120V AC	120V AC
Equivalent	100W	100W	100W	100W
Beam Angle	120°	120°	120°	120°
Dimmable	Yes	Yes	Yes	Yes
Material	Iron	Iron	Iron	Iron
CCT	2700K, Warm White	3000K, Soft White	4000K, Cool White	5000K, Day Light
CRI	>90	>90	>90	>90
LED Driver Type	DOB (Driver on Board)	DOB (Driver on Board)	DOB (Driver on Board)	DOB (Driver on Board)
Base type	E26	E26	E26	E26
Life	50,000 Hours	50,000 Hours	50,000 Hours	50,000 Hours
Efficiency	85%	85%	85%	85%
Certification	ES, ETL, FCC, JA8	ES, ETL, FCC, JA8	ES, ETL, FCC, JA8	ES, ETL, FCC
Warranty	5 Years	5 Years	5 Years	5 Years