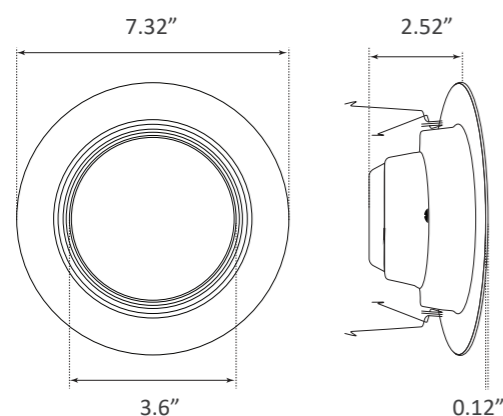


5/6" LED RETROFIT DOWNLIGHT

POLYCARBONATE TRIM BAFFLE DESIGN

The Parmida LED Technologies™ 5/6 inch Baffle Design Downlight is an energy efficient take on a traditional retrofit light. Designed with an internal baffle trim to efficiently trap and shape the light downwards. Manufactured with standard spring installation to provide a simple and secure installation process that is compatible with 5" or 6" housing. Made with an impact resistant, fire-rated polycarbonate trim, this product is light, outstandingly tough and maintains its original color over time. It is built with Steady-Dim technology and is compatible with most modern dimmers, including Lutron Caseta Wireless systems.



Weight 203g
Dimensions 7.32" x 7.32" x 2.52"



DOWNLIGHT



50,000
HOURS



WET
LOCATION
RATED



120V AC
VOLTAGE



1000
LUMENS



100 WATT
REPLACEMENT



120°
BEAM
ANGLE



INSTANT
ON



NO HUMMING/
BUZZING

PRODUCT SPECIFICATIONS

Item Number	PLED-DNBF5/612W2700K-ETL-ES-DIM	PLED-DNBF5/612W3000K-ETL-ES-DIM	PLED-DNBF5/612W4000K-ETL-ES-DIM	PLED-DNBF5/612W5000K-ETL-ES-DIM
Wattage	12W	12W	12W	12W
Lumens	1000lm	1000lm	1000lm	1000lm
Voltage	120V AC	120V AC	120V AC	120V AC
Equivalent	100W	100W	100W	100W
Beam Angle	120°	120°	120°	120°
Dimmable	Yes	Yes	Yes	Yes
Material	Polycarbonate	Polycarbonate	Polycarbonate	Polycarbonate
CCT	2700K, Warm White	3000K, Soft White	4000K, Cool White	5000K, Day Light
CRI	>90	>90	>90	>90
LED Driver Type	DOB (Driver on Board)	DOB (Driver on Board)	DOB (Driver on Board)	DOB (Driver on Board)
Base type	E26	E26	E26	E26
Life	50,000 Hours	50,000 Hours	50,000 Hours	50,000 Hours
Efficiency	88%	88%	88%	88%
Certification	ES, ETL, FCC, JA8	ES, ETL, FCC, JA8	ES, ETL, FCC, JA8	ES, ETL, FCC
Warranty	5 Years	5 Years	5 Years	5 Years