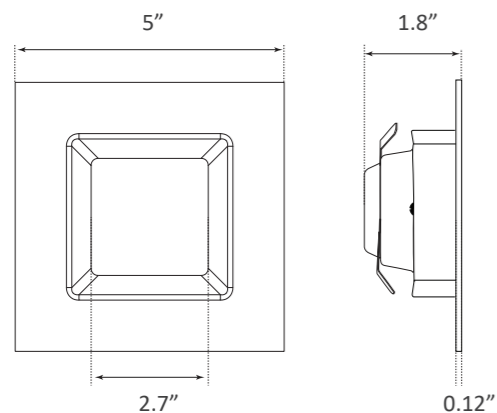


# 4" LED RETROFIT DOWNLIGHT

## POLYCARBONATE TRIM SQUARE DESIGN



The Parmida LED Technologies™ 4 inch Square Design Downlight is a uniquely modern retrofit light. Manufactured with easy tab installation to provide a simple and secure installation process that is compatible with 4" housing. Made with an impact resistant, fire-rated polycarbonate trim, this product is light, outstandingly tough and maintains it's original color over time. It is built with Steady-Dim technology and is compatible with most modern LED dimmers.

Weight 90g  
Dimensions 5" x 5" x 1.81"



DOWNLIGHT



50,000 HOURS



WET LOCATION RATED



120V AC VOLTAGE



600 LUMENS



65 WATT REPLACEMENT



90° BEAM ANGLE



INSTANT ON



NO HUMMING/BUZZING

### PRODUCT SPECIFICATIONS

Item Number	PLED-DNSQP49W3KDIM	PLED-DNSQP49W4KDIM	PLED-DNSQP49W5KDIM
Wattage	9W	9W	9W
Lumens	600lm	600lm	600lm
Voltage	120V AC	120V AC	120V AC
Equivalent	65W	65W	65W
Beam Angle	90°	90°	90°
Dimmable	Yes	Yes	Yes
Material	Polycarbonate & Aluminum	Polycarbonate & Aluminum	Polycarbonate & Aluminum
CCT	3000K, Soft White	4000K, Cool White	5000K, Day Light
CRI	>90	>90	>90
LED Driver Type	DOB (Driver on Board)	DOB (Driver on Board)	DOB (Driver on Board)
Base type	E26	E26	E26
Life	50,000 Hours	50,000 Hours	50,000 Hours
Efficiency	86%	86%	86%
Certification	ES, ETL, FCC, JA8	ES, ETL, FCC, JA8	ES, ETL, FCC
Warranty	5 Years	5 Years	5 Years