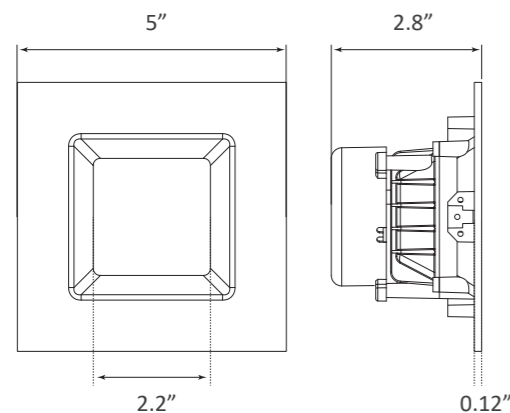


4" LED RETROFIT DOWNLIGHT

ALUMINIUM TRIM SQUARE DESIGN



Weight 265g
Dimensions 5" x 5" x 2.81"

The Parmida LED Technologies™ 4 inch Smooth Design Downlight is an enhanced and modernized retrofit light. Manufactured with innovative Easy Multi Installation technology to provide a much simpler and more secure installation process that is compatible with any 4" housing, modern or traditional. Constructed with a durable metal trim, this product is built with Steady-Dim technology and is compatible with most modern dimmers, including Lutron Caseta Wireless systems.



50,000
HOURS



WET
LOCATION
RATED



120V AC
VOLTAGE



630
LUMENS



60 WATT
REPLACEMENT



90°
BEAM
ANGLE



INSTANT
ON



NO HUMMING/
BUZZING

PRODUCT SPECIFICATIONS

Item Number	P-LED-DNSQ410W3KDIM	PLED-DNSQ410W4KDIM	PLED-DNSQ410W5KDIM
Wattage	10W	10W	10W
Lumens	630lm	630lm	630lm
Voltage	120V AC	120V AC	120V AC
Equivalent	60W	60W	60W
Beam Angle	90°	90°	90°
Dimmable	Yes	Yes	Yes
Material	Aluminum	Aluminum	Aluminum
CCT	3000K, Soft White	4000K, Cool White	5000K, Day Light
CRI	>90	>90	>90
LED Driver Type	DOB (Driver on Board)	DOB (Driver on Board)	DOB (Driver on Board)
Base type	E26	E26	E26
Life	50,000 Hours	50,000 Hours	50,000 Hours
Efficiency	84%	84%	84%
Certification	ES, ETL, FCC, JA8	ES, ETL, FCC, JA8	ES, ETL, FCC
Warranty	5 Years	5 Years	5 Years