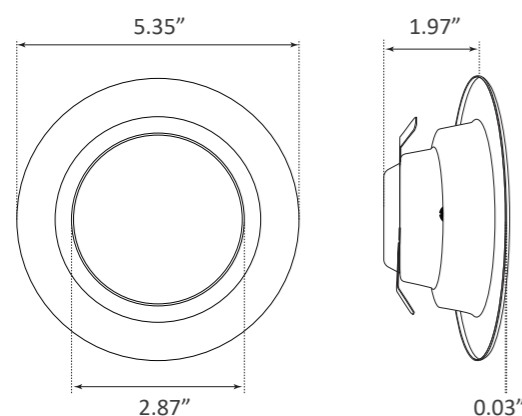


4" LED RETROFIT DOWNLIGHT

METAL TRIM SMOOTH DESIGN



The Parmida LED Technologies™ 4 inch Smooth Design Downlight is an enhanced & modernized retrofit light. Manufactured with innovative Easy Multi-Installation technology to provide a much simpler and more secure installation process that is compatible with any 4" housing, modern or traditional. This product is built with Steady-Dim technology and is compatible with most modern dimmers, including Lutron Caseta Wireless systems.

Weight 138g
Dimensions 5.35" x 5.35" x 1.97"



DOWNLIGHT



50,000 HOURS



WET LOCATION RATED



120V AC VOLTAGE



650 LUMENS



65 WATT REPLACEMENT



120° BEAM ANGLE



INSTANT ON



NO HUMMING/BUZZING

PRODUCT SPECIFICATIONS

Item Number	PLED-MSM410W2700KDIM	PLED-MSM410W3000KDIM	PLED-MSM410W4000KDIM	PLED-MSM410W5000KDIM
Wattage	10W	10W	10W	10W
Lumens	650lm	650lm	650lm	650lm
Voltage	120V AC	120V AC	120V AC	120V AC
Equivalent	65W	65W	65W	65W
Beam Angle	120°	120°	120°	120°
Dimmable	Yes	Yes	Yes	Yes
Material	Iron	Iron	Iron	Iron
CCT	2700K, Warm White	3000K, Soft White	4000K, Cool White	5000K, Day Light
CRI	>90	>90	>90	>90
LED Driver Type	DOB (Driver on Board)	DOB (Driver on Board)	DOB (Driver on Board)	DOB (Driver on Board)
Base type	E26	E26	E26	E26
Life	50,000 Hours	50,000 Hours	50,000 Hours	50,000 Hours
Efficiency	85%	85%	85%	85%
Certification	ES, ETL, FCC, JA8	ES, ETL, FCC, JA8	ES, ETL, FCC, JA8	ES, ETL, FCC
Warranty	5 Years	5 Years	5 Years	5 Years