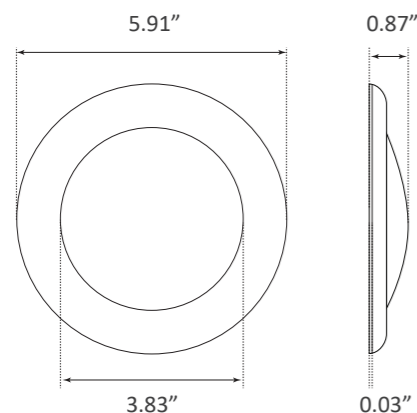


4" LED DISK LIGHT

ULTRA THIN TRIM DESIGN



The Parmida LED Technologies™ 4 inch LED Disk Light is an industry shifting, truly ultra-thin light. The 0.03 inch thin Disk Light features as the ideal surface mount look, engineered for easy installation in any 2.75", 3.5" or 4" Junction Box. This product is built with Steady-Dim technology and is compatible with most modern LED dimmers.



DISK LIGHT

Weight 80g
Dimensions 5.91" x 5.91" x 0.87"



PRODUCT SPECIFICATIONS

Item Number	PLED-DS410W27K	PLED-DS410W3K	PLED-DS410W4K	PLED-DS410W5K
Wattage	10W	10W	10W	10W
Lumens	650lm	650lm	650lm	650lm
Voltage	120V AC	120V AC	120V AC	120V AC
Equivalent	65W	65W	65W	65W
Beam Angle	110°	110°	110°	110°
Dimmable	Yes	Yes	Yes	Yes
Material	Aluminum	Aluminum	Aluminum	Aluminum
CCT	2700K, Warm White	3000K, Soft White	4000K, Cool White	5000K, Day Light
CRI	>90	>90	>90	>90
LED Driver Type	DOB (Driver on Board)	DOB (Driver on Board)	DOB (Driver on Board)	DOB (Driver on Board)
Base type	Direct Wire	Direct Wire	Direct Wire	Direct Wire
Life	50,000 Hours	50,000 Hours	50,000 Hours	50,000 Hours
Efficiency	85%	85%	85%	85%
Certification	ES, ETL, FCC	ES, ETL, FCC	ES, ETL, FCC	ES, ETL, FCC
Warranty	5 Years	5 Years	5 Years	5 Years



50,000 HOURS



DAMP LOCATION RATED



120V AC VOLTAGE



650 LUMENS



65 WATT REPLACEMENT



110° BEAM ANGLE



INSTANT ON



NO HUMMING/BUZZING