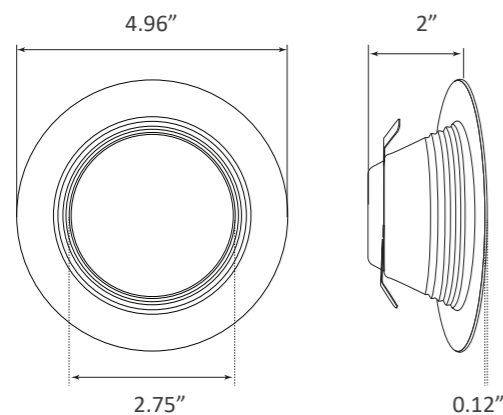


4" LED RETROFIT DOWNLIGHT

POLYCARBONATE TRIM BAFFLE DESIGN

The Parmida LED Technologies™ 4 inch Baffle Design Downlight is an energy efficient take on a traditional retrofit light. Designed with an internal baffle trim to efficiently trap and shape the light downwards. Manufactured with easy tab installation to provide a simple and secure installation process that is compatible with 4" housing. Made with an impact resistant, fire-rated polycarbonate trim, this product is light, outstandingly tough and maintains its original color over time. It is built with Steady-Dim technology and is compatible with most modern dimmers, including Lutron Caseta Wireless systems.



Weight 116g
Dimensions 4.96" x 4.96" x 2"



DOWNLIGHT



50,000 HOURS



WET LOCATION RATED



120V AC VOLTAGE



600 LUMENS



65 WATT REPLACEMENT



120° BEAM ANGLE



INSTANT ON



NO HUMMING/BUZZING

PRODUCT SPECIFICATIONS

| Item Number | PLED-DNBF49W2700KDIM | PLED-DNBF49W3000KDIM | PLED-DNBF49W4000KDIM | PLED-DNBF49W5000KDIM |
|-----------------|-----------------------|-----------------------|-----------------------|-----------------------|
| Wattage | 9W | 9W | 9W | 9W |
| Lumens | 600lm | 600lm | 600lm | 600lm |
| Voltage | 120V AC | 120V AC | 120V AC | 120V AC |
| Equivalent | 65W | 65W | 65W | 65W |
| Beam Angle | 120° | 120° | 120° | 120° |
| Dimmable | Yes | Yes | Yes | Yes |
| Material | Polycarbonate | Polycarbonate | Polycarbonate | Polycarbonate |
| CCT | 2700K, Warm White | 3000K, Soft White | 4000K, Cool White | 5000K, Day Light |
| CRI | >90 | >90 | >90 | >90 |
| LED Driver Type | DOB (Driver on Board) | DOB (Driver on Board) | DOB (Driver on Board) | DOB (Driver on Board) |
| Base type | E26 | E26 | E26 | E26 |
| Life | 50,000 Hours | 50,000 Hours | 50,000 Hours | 50,000 Hours |
| Efficiency | 87% | 87% | 87% | 87% |
| Certification | ES, ETL, FCC, JA8 | ES, ETL, FCC, JA8 | ES, ETL, FCC, JA8 | ES, ETL, FCC |
| Warranty | 5 Years | 5 Years | 5 Years | 5 Years |