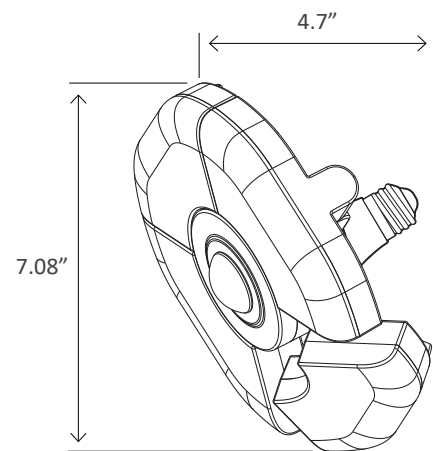


# LED QUAD HEAD GARAGE LIGHT

## MOTION SENSOR ACTIVATED ADJUSTABLE

The Parmida LED Quad Head Garage Light is a highly functional and adjustable light that provides strong lighting from multiple angles. This light can be installed both indoors and outdoors, and comes with a motion sensor with several lighting options, including a dusk-to-dawn setting, offering you multiple ways to use your light. With a 360 degree beam angle, 90 degree adjustable LED leaf heads, and a strong polycarbonate body with a standard E26 base, the Quad-Head Garage Light is a reliable garage light with an attractive design that comes in a black or white finish.



Weight 0.937lb  
Dimensions 7.08" x 7.08" x 4.7"



LED SECURITY LIGHT



## PRODUCT SPECIFICATIONS

Item Number	PLED-GLP30W
Wattage	30W
Lumens	2400lm
Voltage	110-240V AC
Equivalent	100LM/W
Beam Angle	360°
Material	Polycarbonate, Silicone
CCT	5000K, Day Light
CRI	84
Base type	E26
Life	30,000 Hours
Certification	ETL
Warranty	3 Years



30,000  
HOURS



WET  
LOCATION  
RATED



110-240V AC  
VOLTAGE



2400  
LUMENS



100W  
REPLACEMENT



360°  
BEAM ANGLE



INSTANT  
ON



MOTION SENSOR  
ACTIVATED