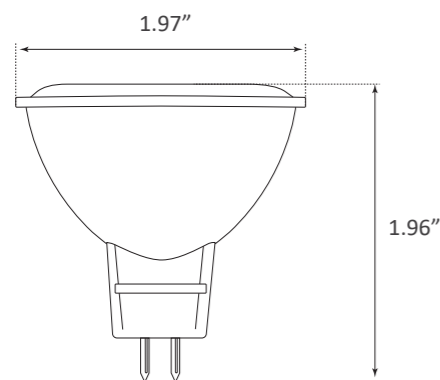


# LED MR16 LIGHT BULB

**DIMMABLE**



Weight 46g  
Dimensions 1.97" x 1.97" x 1.96"

The Parmida LED Technologies™ LED MR16 is an enhanced and modernized spot light that will produce an even and focused light. Made with impact resistant, fire-rated polycarbonate material, this product is light, outstandingly tough and maintains it's original color over time. This product is built with Steady-Dim technology and is compatible with most modern dimmers.



25,000 HOURS



DAMP LOCATION RATED



12V AC/DC VOLTAGE



500 LUMENS



50 WATT REPLACEMENT



40° BEAM ANGLE



INSTANT ON



NO HUMMING/BUZZING

## PRODUCT SPECIFICATIONS

Item Number	PLED-NMR167W2700K	PLED-NMR167W3000K	PLED-NMR167W4000K	PLED-NMR167W5000K
Wattage	7W	7W	7W	7W
Lumens	500lm	500lm	500lm	500lm
Voltage	12V AC/DC	12V AC/DC	12V AC/DC	12V AC/DC
Equivalent	50W	50W	50W	50W
Beam Angle	40°	40°	40°	40°
Dimmable	Yes	Yes	Yes	Yes
Material	Plastic	Plastic	Plastic	Plastic
CCT	2700K, Warm White	3000K, Soft White	4000K, Cool White	5000K, Day Light
CRI	>90	>90	>90	>90
LED Driver Type	Integrated Driver	Integrated Driver	Integrated Driver	Integrated Driver
Base type	GU5.3	GU5.3	GU5.3	GU5.3
Life	25,000 Hours	25,000 Hours	25,000 Hours	25,000 Hours
Effeciency	86%	86%	86%	86%
Certification	UL, FCC	UL, FCC	UL, FCC	UL, FCC
Warranty	5 Years	5 Years	5 Years	5 Years