

1CCT  
WITH JUNCTION BOX

# 6" LED ROUND SLIM PANEL

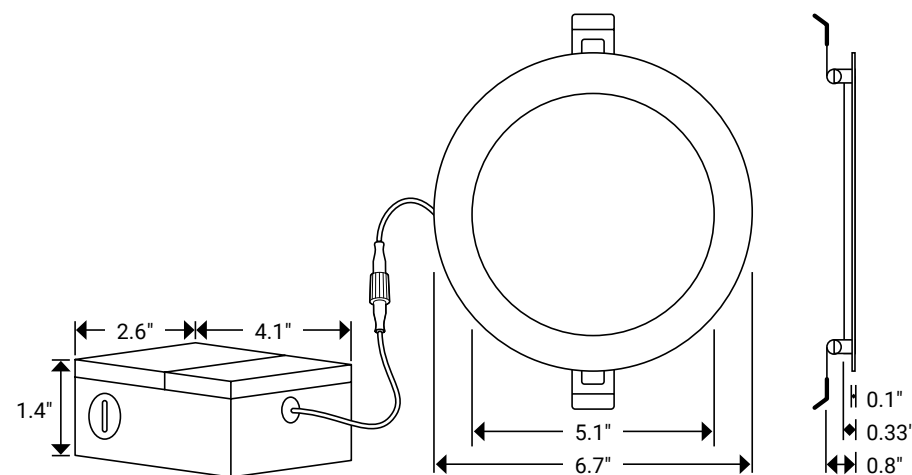


This Parmida LED Slim Panel Downlight is an ultra-thin recessed downlight with a remote driver junction box for quick, simple, and housing free installations. Its low profile design makes it the ideal solution for new construction or remodel projects without the requirement of a housing can. Since a housing can is not required, this light is ideal for shallow ceiling plenums. Constructed with a durable aluminum trim, this product is built with Steady-Dim technology and is compatible with most modern LED dimmers.

**Weight:** 0.75 lbs.  
**Dimensions:** 6.7" x 0.8"

## MODEL NUMBER

<b>PLED-PDN12W27K</b>	2700K Warm White
<b>PLED-PDN12W3K</b>	3000K Soft White
<b>PLED-PDN12W4K</b>	4000K Cool White
<b>PLED-PDN12W5K</b>	5000K Day Light



## PRODUCT SPECIFICATIONS

<b>Wattage</b>	12W
<b>Lumens</b>	1000lm
<b>Voltage</b>	120V AC
<b>Equivalent</b>	85-100W
<b>Beam Angle</b>	120°
<b>Dimmable</b>	Yes
<b>Material</b>	Aluminum
<b>CCT</b>	1CCT: 2700K, 3000K, 4000K, or 5000K
<b>CRI</b>	>80
<b>Base type</b>	N/A
<b>Life</b>	25,000 Hours
<b>Certification</b>	ETL
<b>Environment</b>	IC rated

