

**5CCT
WITH JUNCTION BOX**

4" LED ROUND SLIM PANEL

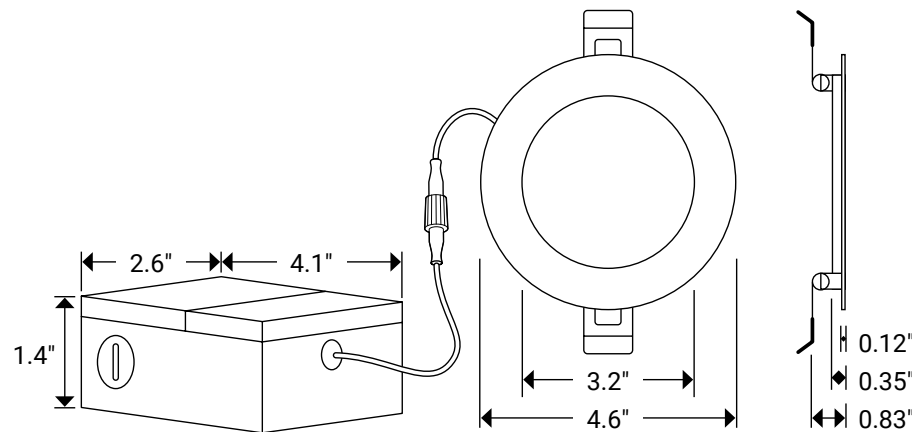


This Parmida LED Slim Panel Downlight is an ultra-thin recessed downlight with a remote driver junction box for quick, simple, and housing free installations. Its low profile design makes it the ideal solution for new construction or remodel projects without the requirement of a housing can. Since a housing can is not required, this light is ideal for shallow ceiling plenums. Constructed with a durable aluminum trim, this product is built with Steady-Dim technology and is compatible with most modern LED dimmers. Set the color temperature of your lights to the desired level with a simple flip of a switch (located on the Junction Box). Choose between Warm White (2700K), Soft White (3000K), Neutral White (3500K), Cool White (4000K), and Day Light (5000K).

Weight: 0.5 lbs.
Dimensions: 4.6" x 0.83"

MODEL NUMBER

PLED-PDN9W5CCT



PRODUCT SPECIFICATIONS

Wattage	9W
Lumens	700lm
Voltage	120V AC
Equivalent	60-80W
Beam Angle	120°
Dimmable	Yes
Material	Aluminum
CCT	5CCT: 2700K-3000K-3500K-4000K-5000K
CRI	>80
Base type	N/A
Life	25,000 Hours
Certification	ETL
Environment	IC rated

ETL CLASSIFIED

