

5CCT
WITH JUNCTION BOX

4" LED GIMBAL SLIM PANEL

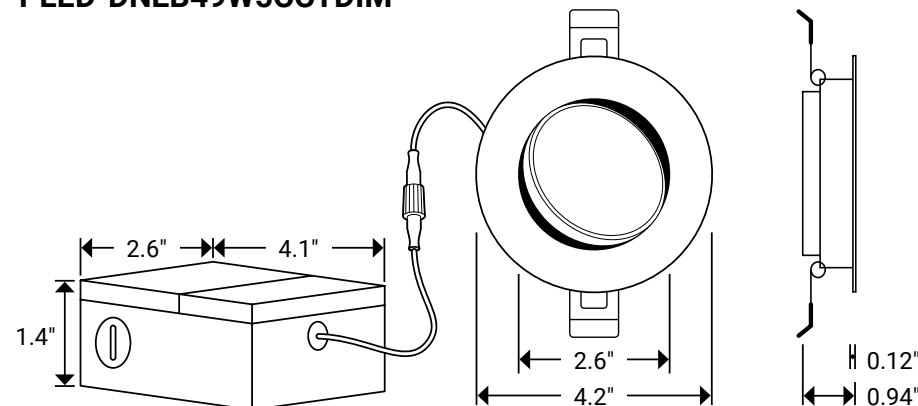


This Parmida LED Technologies 4 Inch Gimbal Design Downlight is an enhanced directional retrofit light, and an ultra-thin recessed downlight with a junction box for quick, simple, and housing free installation. Its low profile design makes it the ideal solution for new construction or remodel projects without the requirement of a housing can, ideal for shallow ceiling plenums. Its wide repositioning 'Eyeball' range allows to readjust the light both horizontally and vertically for optimal direct lighting. The gimbal feature allows the light to swivel 180° to either side. The light can be adjusted to any direction or angle you prefer. Constructed with a durable aluminum trim, this product is built with Steady-Dim technology and is compatible with most modern LED dimmers. Set the color temperature of your lights to the desired level with a simple flip of a switch (located on the Junction Box). Choose between Warm White (2700K), Soft White (3000K), Neutral White (3500K), Cool White (4000K), and Day Light (5000K).

Weight: 0.5 lbs.
Dimensions: 4.2" x 0.94"

MODEL NUMBER

PLED-DNEB49W5CCTDIM



PRODUCT SPECIFICATIONS

Wattage	9W
Lumens	700lm
Voltage	120V AC
Equivalent	60-80W
Beam Angle	80°
Dimmable	Yes
Material	Aluminum
CCT	5CCT: 2700K-3000K-3500K-4000K-5000K
CRI	>80
Base type	N/A
Life	25,000 Hours
Certification	ETL
Environment	IC rated

