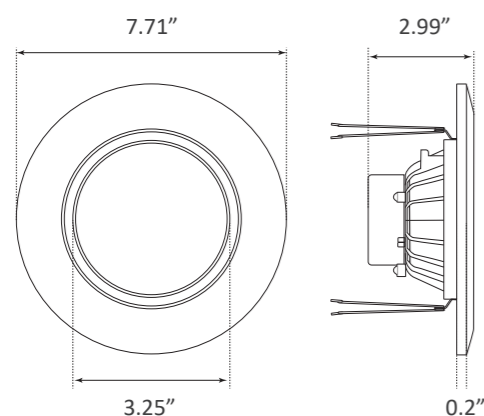


# 6" LED GIMBAL DOWNLIGHT

## ROTATABLE EYEBALL



Weight 574g  
Dimensions 7.71" x 7.71" x 2.99"

The Parmida LED Technologies™ 6-inch Gimbal Design Downlight is an enhanced directional retrofit light. Its wide repositioning 'Eyeball' range allows to readjust the light both horizontally and vertically for optimal direct lighting. It has 30° tilt and 359° rotation of range of motion. Manufactured to simply and securely install into any 6" housing. This product is built with Steady-Dim technology and is compatible with most modern LED dimmers.



50,000  
HOURS



DAMP  
LOCATION  
RATED



120V AC  
VOLTAGE



1060  
LUMENS



120 WATT  
REPLACEMENT



95°  
BEAM  
ANGLE



INSTANT  
ON



NO HUMMING/  
BUZZING

## PRODUCT SPECIFICATIONS

Item Number	P-LED-DNEB615W3000KDIM	P-LED-DNEB615W5000KDIM
Wattage	15W	15W
Lumens	1060lm	1060lm
Voltage	120V AC	120V AC
Equivalent	120W	120W
Beam Angle	95°	95°
Dimmable	Yes	Yes
Material	Aluminum	Aluminum
CCT	3000K, Soft White	5000K, Day Light
CRI	>90	>90
LED Driver Type	DOB (Driver on Board)	DOB (Driver on Board)
Base type	E26	E26
Life	50,000 Hours	50,000 Hours
Efficiency	88%	88%
Certification	ES, ETL, FCC, JA8	ES, ETL, FCC
Warranty	5 Years	5 Years