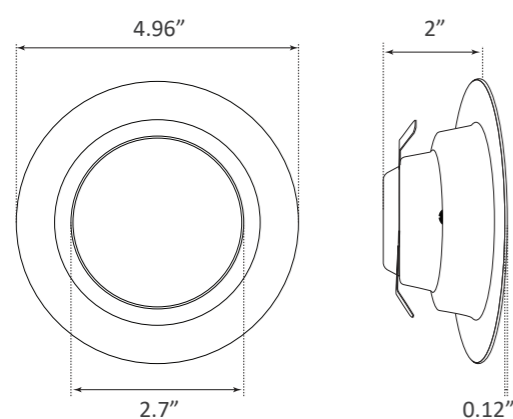


# 4" LED RETROFIT DOWNLIGHT



Weight 116g  
Dimensions 4.96" x 4.96" x 2"

## POLYCARBONATE TRIM SMOOTH DESIGN

The Parmida LED Technologies™ 4 inch Smooth Design Downlight is an enhanced and modernized retrofit light. Manufactured with innovative Easy Multi Installation technology to provide a much simpler and more secure installation process that is compatible with any 4" housing, modern or traditional. Made with an impact resistant, fire-rated polycarbonate trim, this product is light, outstandingly tough and maintains its original color over time. It is built with Steady-Dim technology and is compatible with most modern dimmers, including Lutron Caseta Wireless systems.



50,000 HOURS



WET LOCATION RATED



120V AC VOLTAGE



600 LUMENS



65 WATT REPLACEMENT



120° BEAM ANGLE



INSTANT ON



NO HUMMING/BUZZING

## PRODUCT SPECIFICATIONS

Item Number	PLED-DNP49W27K	PLED-DNP49W3K	PLED-DNP49W4K	PLED-DNP49W5K
Wattage	9W	9W	9W	9W
Lumens	600lm	600lm	600lm	600lm
Voltage	120V AC	120V AC	120V AC	120V AC
Equivalent	65W	65W	65W	65W
Beam Angle	120°	120°	120°	120°
Dimmable	Yes	Yes	Yes	Yes
Material	Polycarbonate & Aluminum	Polycarbonate & Aluminum	Polycarbonate & Aluminum	Polycarbonate & Aluminum
CCT	2700K, Warm White	3000K, Soft White	4000K, Cool White	5000K, Day Light
CRI	>90	>90	>90	>90
LED Driver Type	DOB (Driver on Board)	DOB (Driver on Board)	DOB (Driver on Board)	DOB (Driver on Board)
Base type	E26	E26	E26	E26
Life	50,000 Hours	50,000 Hours	50,000 Hours	50,000 Hours
Efficiency	87%	87%	87%	87%
Certification	ES, ETL, FCC, JA8	ES, ETL, FCC, JA8	ES, ETL, FCC, JA8	ES, ETL, FCC
Warranty	5 Years	5 Years	5 Years	5 Years