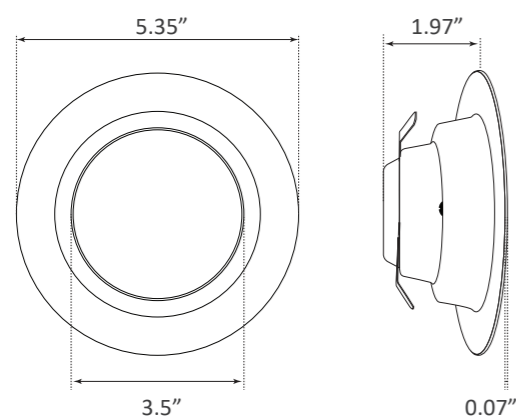


4" LED RETROFIT DOWNLIGHT

ALUMINIUM TRIM SMOOTH DESIGN



Weight 138g
Dimensions 5.35" x 5.35" x 1.97"

The Parmida LED Technologies™ 4 inch Smooth Design Downlight is an enhanced and modernized retrofit light. Manufactured with innovative Easy Multi Installation technology to provide a much simpler and more secure installation process that is compatible with any 4" housing, modern or traditional. This product is built with Steady-Dim technology and is compatible with most modern dimmers, including Lutron Caseta Wireless systems.



50,000 HOURS



WET LOCATION RATED



120V AC VOLTAGE



700 LUMENS



75 WATT REPLACEMENT



120° BEAM ANGLE



INSTANT ON



NO HUMMING/BUZZING

PRODUCT SPECIFICATIONS

Item Number	P-LED-DN410.5W2700KDIM	P-LED-DN410.5W3000KDIM	P-LED-DN410.5W4000KDIM	P-LED-DN410.5W5000KDIM
Wattage	10.5W	10.5W	10.5W	10.5W
Lumens	700lm	700lm	700lm	700lm
Voltage	120V AC	120V AC	120V AC	120V AC
Equivalent	75W	75W	75W	75W
Beam Angle	120°	120°	120°	120°
Dimmable	Yes	Yes	Yes	Yes
Material	Aluminum	Aluminum	Aluminum	Aluminum
CCT	2700K, Warm White	3000K, Soft White	4000K, Cool White	5000K, Day Light
CRI	>90	>90	>90	>90
LED Driver Type	DOB (Driver on Board)	DOB (Driver on Board)	DOB (Driver on Board)	DOB (Driver on Board)
Base type	E26	E26	E26	E26
Life	50,000 Hours	50,000 Hours	50,000 Hours	50,000 Hours
Efficiency	86%	86%	86%	86%
Certification	ES, ETL, FCC, JA8	ES, ETL, FCC, JA8	ES, ETL, FCC, JA8	ES, ETL, FCC
Warranty	5 Years	5 Years	5 Years	5 Years