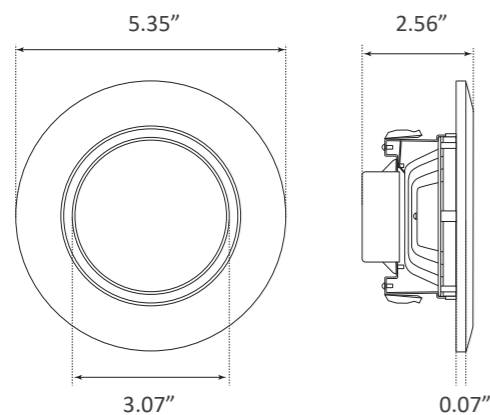


# 4" LED GIMBAL DOWNLIGHT

## ROTATABLE EYEBALL



Weight 315g  
Dimensions 5.35" x 5.35" x 2.56"

The Parmida LED Technologies™ 4-inch Gimbal Design Downlight is an enhanced directional retrofit light. Its wide repositioning 'Eyeball' range allows to readjust the light both horizontally and vertically for optimal direct lighting. It has 30° tilt and 359° rotation of range of motion. Manufactured to simply and securely install into any 4" housing. This product is built with Steady Dim technology and is compatible with most modern LED dimmers.



## PRODUCT SPECIFICATIONS

| Item Number     | PLED-DNEB410W3000KDIM | PLED-DNEB410W5000KDIM |
|-----------------|-----------------------|-----------------------|
| Wattage         | 10W                   | 10W                   |
| Lumens          | 740lm                 | 740lm                 |
| Voltage         | 120V AC               | 120V AC               |
| Equivalent      | 75W                   | 75W                   |
| Beam Angle      | 95°                   | 95°                   |
| Dimmable        | Yes                   | Yes                   |
| Material        | Aluminum              | Aluminum              |
| CCT             | 3000K, Soft White     | 5000K, Day Light      |
| CRI             | >90                   | >90                   |
| LED Driver Type | DOB (Driver on Board) | DOB (Driver on Board) |
| Base type       | E26                   | E26                   |
| Life            | 50,000 Hours          | 50,000 Hours          |
| Efficiency      | 87%                   | 87%                   |
| Certification   | ES, ETL, FCC, JA8     | ES, ETL, FCC          |
| Warranty        | 5 Years               | 5 Years               |



50,000  
HOURS



DAMP  
LOCATION  
RATED



120V AC  
VOLTAGE



740  
LUMENS



75 WATT  
REPLACEMENT



95°  
BEAM  
ANGLE



INSTANT  
ON



NO HUMMING/  
BUZZING