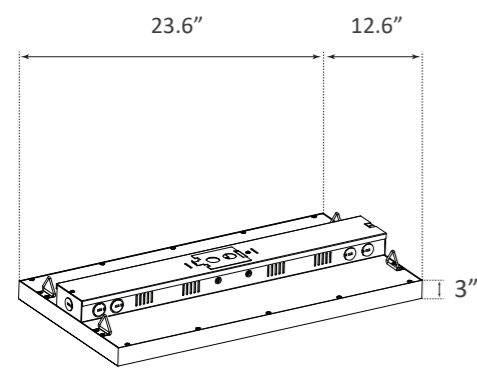


# 2FT LED HIGH BAY LIGHT

## DIMMABLE 0-10V

The Parmida LED Technologies™ Linear LED High Bay delivers a flexible solution for any commercial or industrial application, with its high performance light output that handles mounting heights of up to 80FT. It's optical, low profile, integrated LED design provides an all-in-one solution to replacing your fluorescent lights and retrofitting your space. Each light comes with a 40-inch suspension mounting cable and V-hooks for easy suspension mounting installation. Multiple knockouts are located on the product for "hard pipe" wiring through ends in the case you wish to install several lights in a continuous row. The Parmida Linear LED High Bay has 0-10V dimmable capability and is motion sensor compatible. This product is constructed with a durable solid aluminum housing and frosted polycarbonate lens which does not discolor or rust over time.



Weight 3493g  
Dimensions 23.6" x 12.6" x 3"



HIGH BAY LIGHT



### PRODUCT SPECIFICATIONS

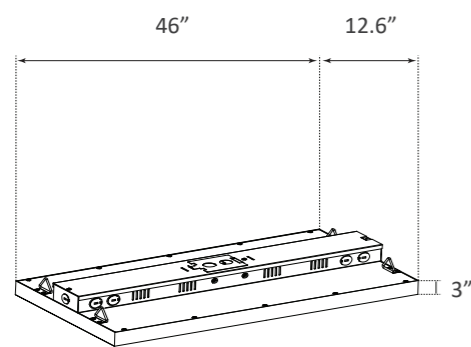
Item Number	PLED-LNHB105W5K	PLED-LNHB165W5K
Wattage	105W	165W
Lumens	13440lm	21285lm
Voltage	120-277V AC	120-277V AC
Equivalent	400W MH/HID	700W MH/HID
Beam Angle	120°	120°
Dimmable	Yes. 0-10V	Yes. 0-10V
Material	Aluminium & Polycarbonate	Aluminium & Polycarbonate
CCT	5000K, Day Light	5000K, Day Light
CRI	>70	>70
LED Driver Type	Isolated Driver	Isolated Driver
Base type	Direct Wire	Direct Wire
Life	50,000 Hours	50,000 Hours
Efficiency	70%	70%
Certification	DLC, UL	DLC, UL
Warranty	5 Years	5 Years

- 50,000 HOURS
- DAMP LOCATION RATED
- 120-277V AC VOLTAGE
- 13440-21285 LUMENS
- 400-700W MH/HID REPLACEMENT
- 120° BEAM ANGLE
- INSTANT ON
- NO HUMMING/BUZZING

# 4FT LED HIGH BAY LIGHT

**DIMMABLE**  
**0-10V**

The Parmida LED Technologies™ Linear LED High Bay delivers a flexible solution for any commercial or industrial application, with its high performance light output that handles mounting heights of up to 80FT. It's optical, low profile, integrated LED design provides an all-in-one solution to replacing your fluorescent lights and retrofitting your space. Each light comes with a 40-inch suspension mounting cable and V-hooks for easy suspension mounting installation. Multiple knockouts are located on the product for "hard pipe" wiring through ends in the case you wish to install several lights in a continuous row. The Parmida Linear LED High Bay has 0-10V dimmable capability and is motion sensor compatible. This product is constructed with a durable solid aluminum housing and frosted polycarbonate lens which does not discolor or rust over time.



Weight 5897g  
Dimensions 46" x 12.6" x 3"



HIGH BAY LIGHT



## PRODUCT SPECIFICATIONS

Item Number	PLED-LNHB225W5K
Wattage	225W
Lumens	28800lm
Voltage	120-277V AC
Equivalent	900W MH/HID
Beam Angle	120°
Dimmable	Yes. 0-10V
Material	Aluminium & Plastic
CCT	5000K, Day Light
CRI	>70
LED Driver Type	Isolated Driver
Base type	Direct Wire
Life	50,000 Hours
Efficiency	70%
Certification	DLC, UL
Warranty	5 Years



50,000 HOURS



DAMP LOCATION RATED



120-277V AC VOLTAGE



28800 LUMENS



1800W REPLACEMENT



120° BEAM ANGLE



INSTANT ON



NO HUMMING/BUZZING