

INSTALLATION GUIDE

## DUAL-HEAD MULTI-DIRECTIONAL LED WORK LIGHT

PLED-DHWL100W-OR | PLED-DHWL50W-OR

---

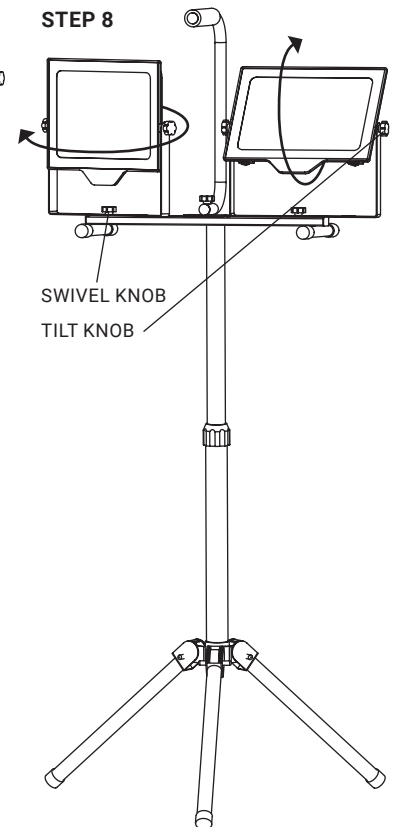
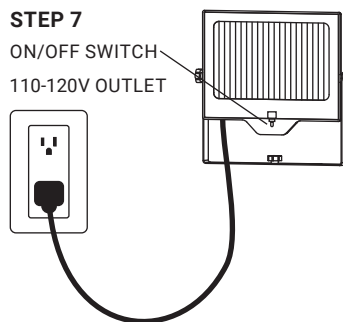
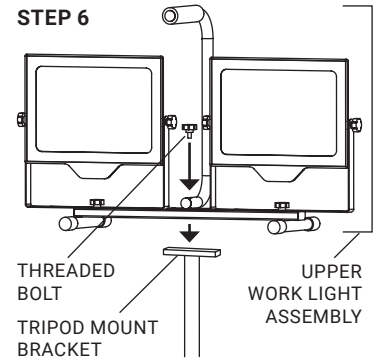
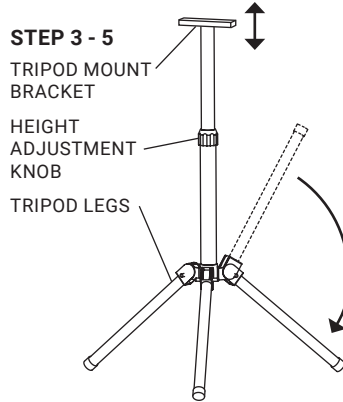
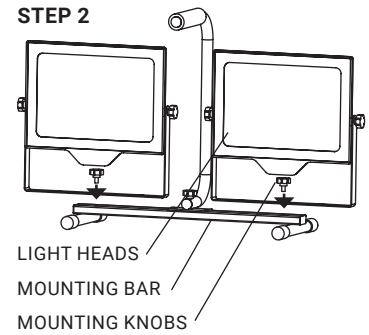
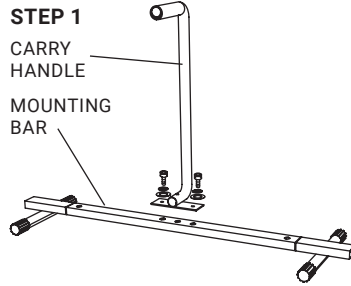
**CAUTION:** Read all instructions and warnings before operating! SAVE THESE INSTRUCTIONS!

**WARNING:** To avoid serious injury or death from electrical shock or fire:

1. DO NOT handle this fixture or try to plug it in when your hands are wet or damp or when standing on a wet or damp surface or in water.
2. This fixture MUST ALWAYS BE USED in accordance with all electrical and safety codes and ordinances, including the most recent National Electric Code (NEC) and with the Occupational Safety and Health Administration (OSHA) Volume 1 on General Industry Standards and interpretations.
3. ALWAYS make certain that the power source conforms to the rating on the fixture.
4. ALWAYS disconnect the power before servicing or inspecting the fixture for any reason.
5. This fixture IS ONLY FOR USE ON 110-120V and is equipped with an approved 3 conductor cord with a 3-prong, grounded plug. TO REDUCE THE RISK OF ELECTRICAL SHOCK, it should only be plugged into a properly grounded 3-prong outlet.
6. This fixture is suitable for indoor/outdoor use. The fixture can be used outdoor in rain or damp conditions.
7. CAUTION: RISK OF ELECTRIC SHOCK. Do not use in or near standing water, or where water may accumulate. Keep this fixture at least 16 feet from pools or spas. Keep plug dry. DO NOT IMMERSE THIS FIXTURE.
8. Ground Fault Circuit Interrupter (GFCI) should be provided on the circuit or outlet to be used in a wet location or outdoor use.
9. This fixture is not explosive-proof. DO NOT use in potentially dangerous locations, such as in flammable or explosive atmospheres.
10. Always keep the work light away from any flammable surface or materials.
11. NEVER operate the light with the clear protective glass broken or removed.
12. NEVER LOOK DIRECTLY INTO LIGHT SOURCE. LEDs are extremely bright and can damage eyes with prolonged exposure.
13. KEEP AWAY from heating vents, radiators, or other sources of heat.
14. KEEP OUT OF REACH OF CHILDREN.
15. Always check damaged or worn-out parts before using the work light.
16. Do not use a pressure washer to clean this product.
17. Do not modify the work light in any way.

## STEPS FOR ASSEMBLY AND USE

1. Use hex wrench (included) to remove the screws from the lamp mounting bar. Place the carrying handle on the lamp mounting bar and align with screw hole, then place the screws back and tighten them to hold the handle.
2. Attach working light heads to the lamp mounting bar, using the mounting knobs.
3. Push down the bolts on three tripod legs and pull the three legs out and down to a desired position. The bolts will automatically be locked once you release them.
4. To adjust the height of the Tripod Stand, loosen the Height Adjustment Knob and raise or lower the center post until the desired height is achieved, then tighten the knob until the center post is locked into place.
5. Place the stand on a firm level surface. **CAUTION:** Never place the tripod on a steep incline or unstable surface. The tripod may tip causing injury.
6. Place the upper work light assembly on the tripod mounting bracket. Align the bottom bar with the hole on tripod bracket. Insert the knob with threaded bolt through the handle and into the tripod bracket. Twist and tighten the knob until snug.
7. Plug power cord into 110-120V standard wall outlet. Push the red switch at the bottom of enclosure to turn the light on. Each of the light heads has an ON/OFF switch. Always turn each light head off before unplugging the work light.
8. To adjust the direction of the LED light heads. Loosen the knobs to swivel or knobs to tilt the LED light heads to the desired position. Re-tighten the knob(s) to hold the position.



### WARNING

RISK OF FIRE OR ELECTRIC SHOCK

DISCONNECT MAIN POWER AT FUSE OR CIRCUIT BREAKER BEFORE INSTALLING OR SERVICING THE LIGHT

DO NOT USE ANY OTHER DRIVER EXCEPT PARMIDA LIGHTING DRIVER THAT IS INCLUDED WITH THE FIXTURE.