

**100W**  
**10000 LUMENS**

# DUAL HEAD WORK LIGHT

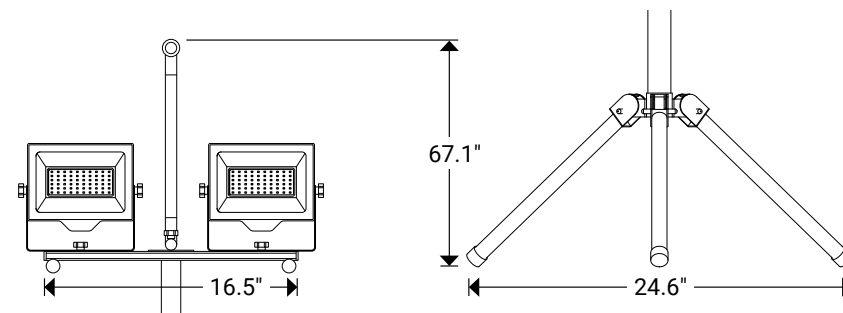


The Parmida LED Technologies™ Dual-Head Multi-Directional LED Work light is a strong and versatile light that you can use in a variety of environments. Made from durable, die-cast aluminium with sturdy, fold-up tripod legs, this light can be adjusted up to 6ft and has an 8ft cable. Both lights can be operated and manoeuvred individually, and the head can be removed and carried around, or suspended by the handle. The LEDs are protected by impact-resistant tempered glass that will survive both work and construction sites, making this light both tough and reliable.

**Weight:** 8 lbs.  
**Dimensions:** 67" x 24.6"

## MODEL NUMBER

**PLED-DHWL50W-OR**



## PRODUCT SPECIFICATIONS

<b>Wattage</b>	100W
<b>Lumens</b>	10000lm
<b>Voltage</b>	120V AC
<b>Equivalent</b>	500W
<b>Beam Angle</b>	110°
<b>Dimmable</b>	No
<b>Material</b>	Aluminum base, tempered glass lens
<b>CCT</b>	5000K
<b>CRI</b>	80
<b>Base type</b>	N/A
<b>Life</b>	30,000 Hours
<b>Certification</b>	IP65 Water Resistant