

200W
20000 LUMENS

DUAL HEAD WORK LIGHT

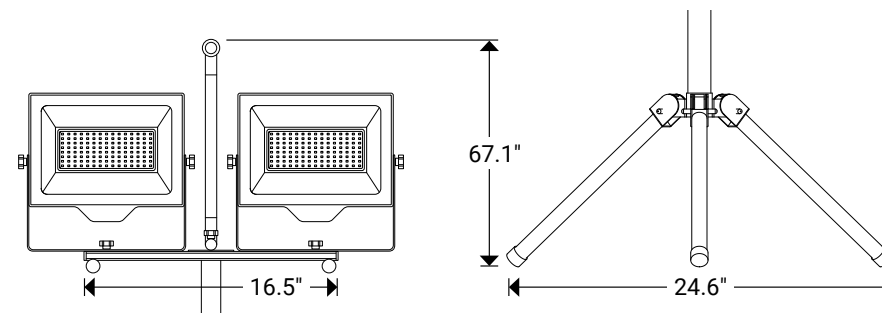


The Parmida LED Technologies™ Dual-Head Multi-Directional LED Work light is a strong and versatile light that you can use in a variety of environments. Made from durable, die-cast aluminium with sturdy, fold-up tripod legs, this light can be adjusted up to 6ft and has an 8ft cable. Both lights can be operated and manoeuvred individually, and the head can be removed and carried around, or suspended by the handle. The LEDs are protected by impact-resistant tempered glass that will survive both work and construction sites, making this light both tough and reliable.

Weight: 10.6 lbs.
Dimensions: 67" x 24.6"

MODEL NUMBER

PLED-DHWL100W-OR



PRODUCT SPECIFICATIONS

Wattage	200W
Lumens	20000lm
Voltage	120V AC
Equivalent	1000W
Beam Angle	110°
Dimmable	No
Material	Aluminum base, tempered glass lens
CCT	5000K
CRI	80
Base type	N/A
Life	30,000 Hours
Certification	IP65 Water Resistant