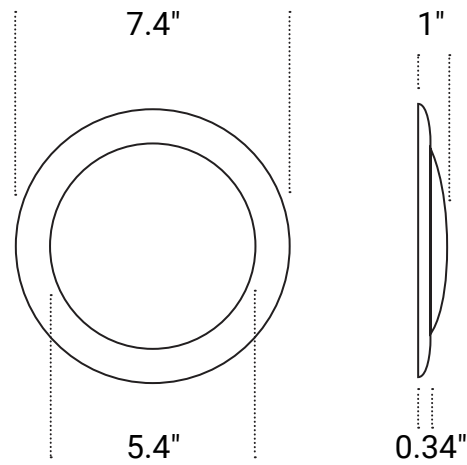


ULTRA THIN
TRIM DESIGN

5/6" LED DISK LIGHT



The Parmida LED Technologies™ 5/6" LED Disk Light is an industry shifting, truly ultra-thin light. The 0.34" thin Disk Light features as the ideal flush mount look, engineered for easy installation in any 5" or 6" downlight housing and any 2.75", 3.5" or 4" Junction Box. This product is built with Steady-Dim technology and is compatible with most modern LED dimmers. Instant on, no humming or buzzing

Weight: 0.75 lbs.
Dimensions: 7.4" x 7.4" x 1"

MODEL NUMBER

PLED-DISK5/615W2700K-DIM	2700K Warm White
PLED-DISK5/615W3000K-DIM	3000K Soft White
PLED-DISK5/615W4000K-DIM	4000K Cool White
PLED-DISK5/615W5000K-DIM	5000K Day Light



PRODUCT SPECIFICATIONS

Wattage	15W
Lumens	1000lm
Voltage	120V AC
Equivalent	120W
Beam Angle	120°
Dimmable	10-100%
Material	Metal
CCT	1CCT: 2700K, 3000K, 4000K, or 5000K
CRI	≥80
LED Driver Type	DOB (Driver on Board)
Base Type	E26 or Direct Wire
Life	50,000 Hours
Certification	UL, ES, Title 20
Environment	Wet Location Rated, IC Rated

