

INSTALLATION GUIDE LED CANOPY LIGHT

IMPORTANT: When using electrical equipment, basic safety precautions should always be followed as below:

READ AND FOLLOW BELOW SAFETY INSTRUCTIONS

1. To reduce risk of electric shock, turn off power before installation or servicing.
2. This luminaire must be installed in accordance with the NEC and local electrical code. If you are not familiar with these codes and requirements, consult a qualified electrician.
3. Verify the availability of necessary tools and incidental materials.

UNPACKING

1. Thoroughly inspect the fixture for freight damage. Freight damage should be reported to the delivery carrier.

3 INSTALLATION TYPES

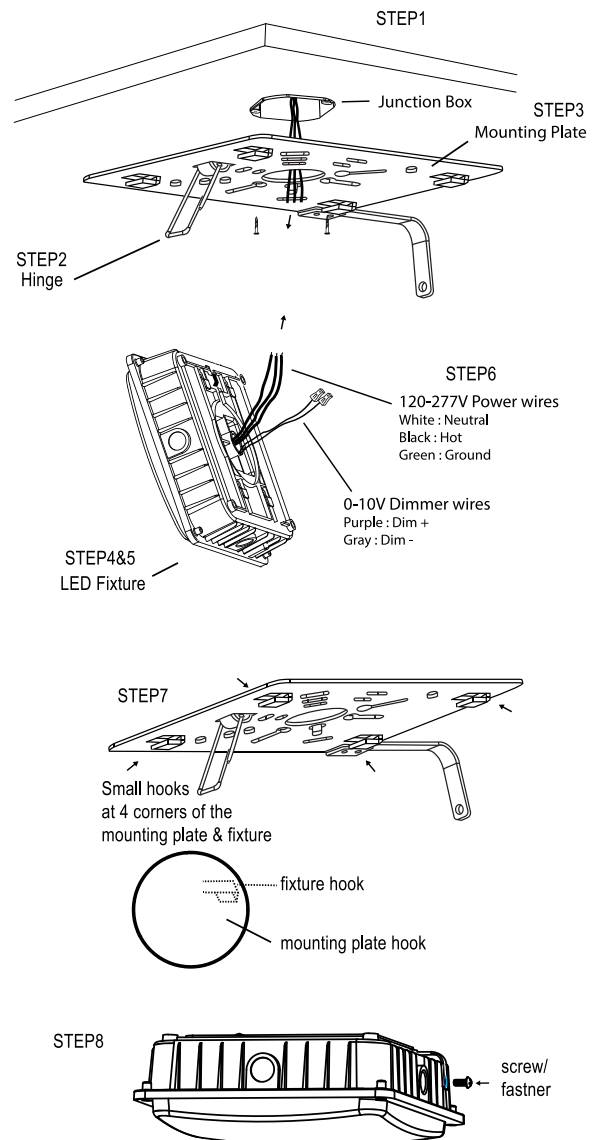
I. EASY INSTALLATION

1. Make sure power is turned off and that J-box is securely mounted within the structural surface.
2. If desired, you may remove hinge from mounting plate to ease installation (set aside for re-installation as needed).
3. Position mounting plate over J-box feeding supply wires through the center of the mounting plate.
4. Replace hinge from step 2 (do not fully tighten).
5. Hang the fixture with the hinge.
6. Connect supply wire (power and dimming) to wires on the fixture, as required through the access in the center of the mounting plate. Attach white to white (neutral), black to black (hot) and green to green (ground). Only when using dimmers, connect the purple (dim+) and gray (dim-) wire. Otherwise ignore both dimming wires. Universal Voltage driver permits operation at 110V-277V, 50 or 60Hz. 0-10V dimming control wires must be rated for 300V minimum
7. Align the 4 small hooks on the 4 corners of the mounting plate (as shown in the figure) with the hooks on the fixture to secure them together.

NOTE

Make the following Electrical Connections to the terminal block:

1. For 120/277V/347/480 connect the black fixture lead to the voltage supply position of the terminal block.
2. For 120/277V/347/480 connect the white fixture lead to the neutral supply position of the terminal block.
3. Connect the green or green-yellow ground lead to green wire position of the terminal block.
4. If dimming is an option; connect the purple dimming positive lead to the supply dimming positive lead. Connect the grey dimming negative lead to the supply dimming negative lead.

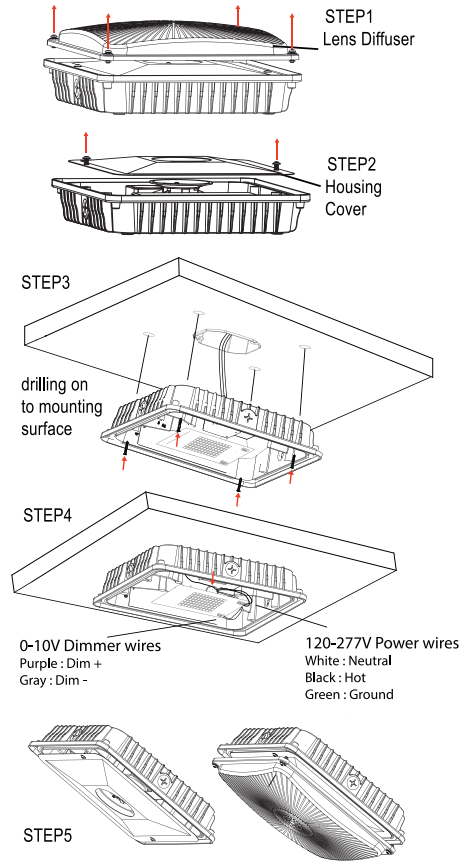


Steps for Easy Installation

II. MOUNTING USING 3/4" PLUG IN THE BACK

1. Remove the four screws attaching the lens diffuser to fixture and set the screws and lens aside.
2. Remove the screws attaching the housing cover to housing and set aside.
3. Fixture is best mounted by drilling through back of fixture securing it to the mounting surface using the appropriate mounting hardware for the surface. Mounting hardware supplied by others. When drilling holes do not drill within 1/4" (6mm) from edges of fixture. All unused holes must be plugged. Waterproof silicone will ensure a tight seal.
4. Route the incoming power and ground leads through the hole located in the center of the back of the fixture and through the opening on the side of the LED Array mounting post. Only when using dimmers, connect the purple (dim+) and gray (dim-) wire. Otherwise ignore both dimming wires.
5. Replace the housing cover and lens diffuser. Make sure no wires are pinched when replacing parts.

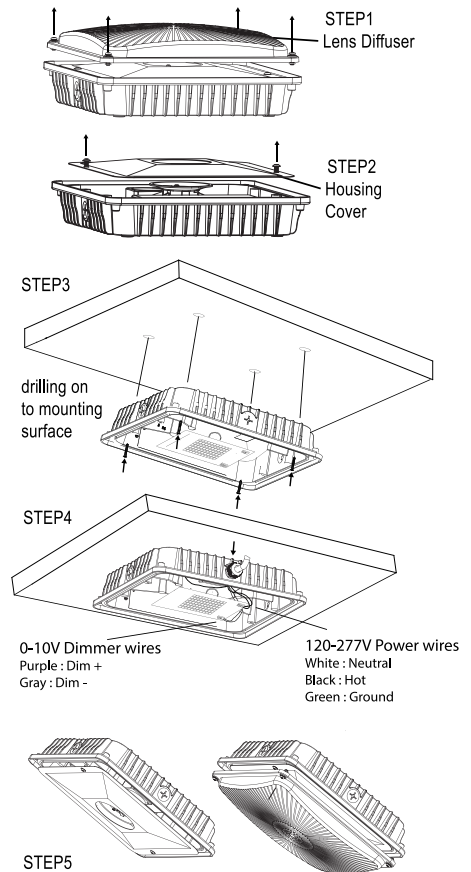
Steps for Mounting using 3/4" Plug in the Back ►



III. MOUNTING USING 1/2" PLUG IN THE SIDE

1. Remove the four screws attaching the lens diffuser to fixture and set the screws and lens aside.
2. Remove the screws attaching the housing cover to housing and set aside.
3. Fixture is best mounted by drilling through back of fixture securing it to the mounting surface using the appropriate mounting hardware for the surface. Mounting hardware supplied by others. When drilling holes do not drill within 1/4" (6mm) from edges of fixture. All unused holes must be plugged. Waterproof silicone will ensure a tight seal.
4. Remove 1/2" plug from direction you intend to feed conduit. Complete the wiring to the incoming power and ground. Only when using dimmers, connect the purple (dim+) and gray (dim-) wire. Otherwise ignore both dimming wires.
5. Replace the housing cover and lens diffuser. Make sure no wires are pinched when replacing parts.

Mounting using 1/2" Plug in the Side ►



DIMMER LIST
LED CANOPY LIGHT

LEVITON	LUTRON
DD710-BNDZ	DVTV-WH
DS710-10E	DVSTV-453P